

[54] DIALYZER CARTRIDGE

[75] Inventors: Kurt Spranger, Amerbuch-Entringen; Wolfgang Heck, Hechingen, both of Fed. Rep. of Germany; Bengt A. Nestell, Bjerred, Sweden

[73] Assignee: Gambro Dialysatoren KG, Fed. Rep. of Germany

[**] Term: 14 Years

[21] Appl. No.: 75,157

[22] Filed: Sep. 12, 1979

[30] Foreign Application Priority Data

Apr. 6, 1979 [SE] Sweden 79-0882

[51] Int. Cl. D24-01

[52] U.S. Cl. D24/21; D24/17

[58] Field of Search D24/21, 17; 210/321 R, 210/321 A, 22 A

[56] References Cited

U.S. PATENT DOCUMENTS

D. 217,794 6/1970 Johnson D24/21

D. 237,547 11/1975 Flandoli D24/21
D. 237,837 11/1975 Cooper D24/21
D. 239,878 5/1976 Mouwen et al. D24/21
D. 239,881 5/1976 Morgan et al. D24/21
D. 245,811 9/1977 Gics D24/21
D. 257,389 10/1980 Pande D24/21

FOREIGN PATENT DOCUMENTS

986322 4/1979 United Kingdom D24/21 UX

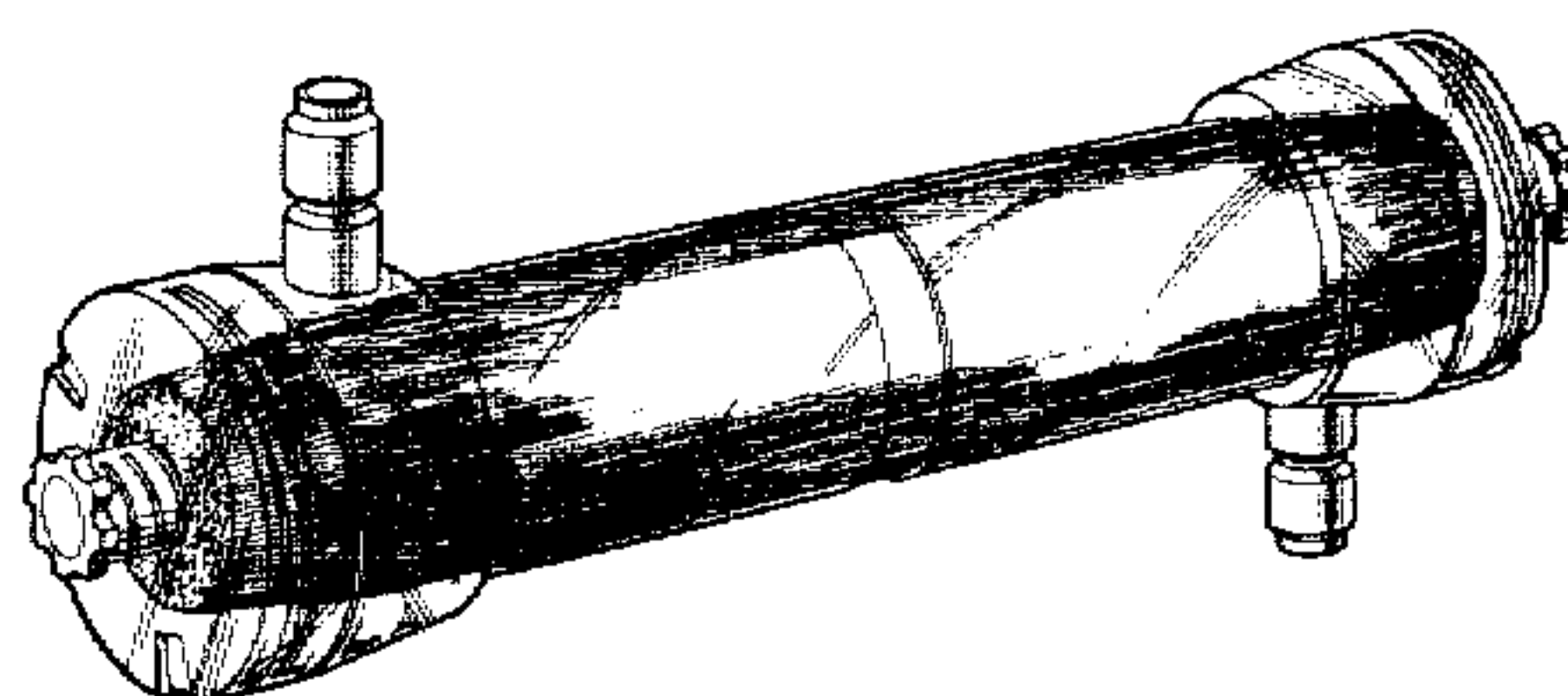
Primary Examiner—Bernard Ansher
Attorney, Agent, or Firm—Lerner, David, Littenberg & Samuel

[57] CLAIM

The design for a dialyzer cartridge, substantially as shown and described.

DESCRIPTION

FIG. 1 is a perspective view of a dialyzer cartridge showing our new design; FIG. 2 is a rear elevational view thereof; FIG. 3 is a right end elevational view, the left end elevational view is a mirror image thereof; FIG. 4 is a front elevational view thereof; and, FIG. 5 is a top plan view, the bottom plan view is a mirror image thereof.



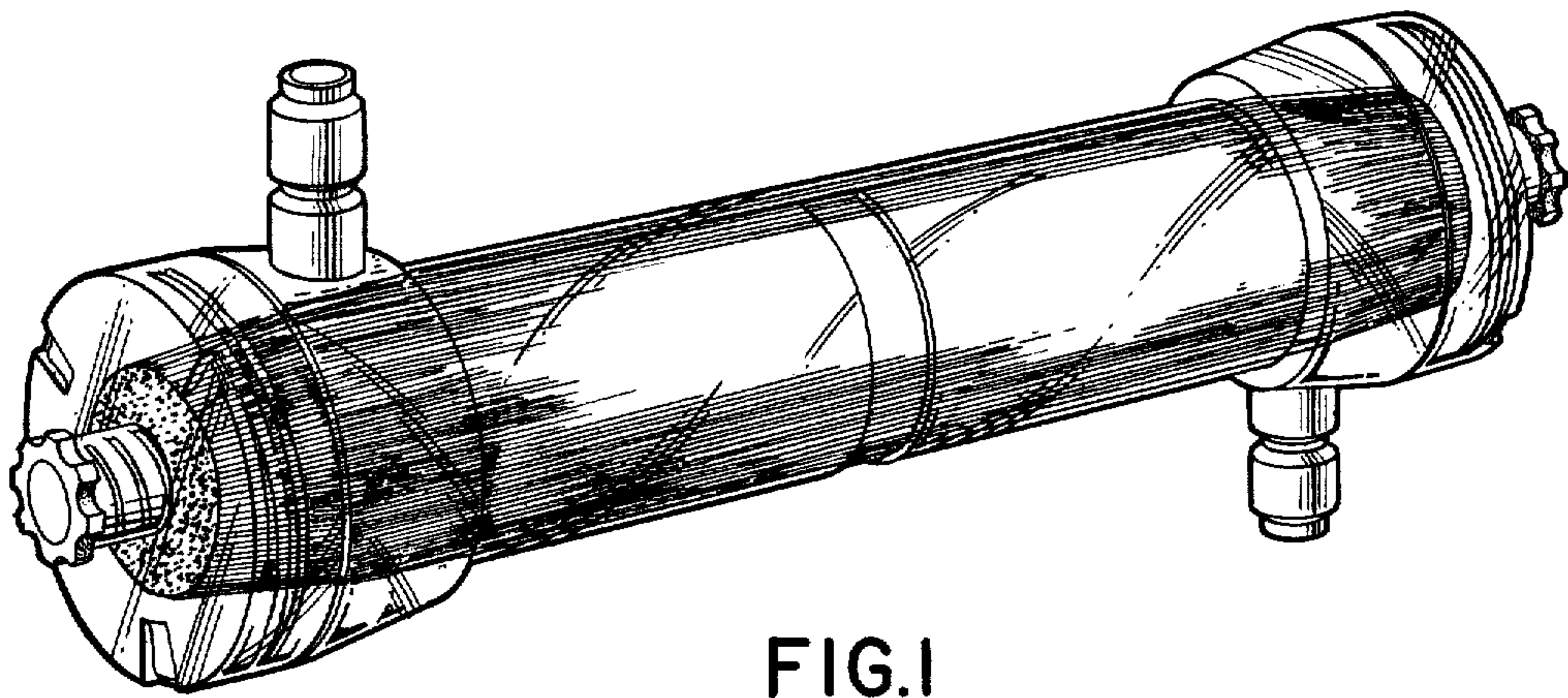


FIG. 1

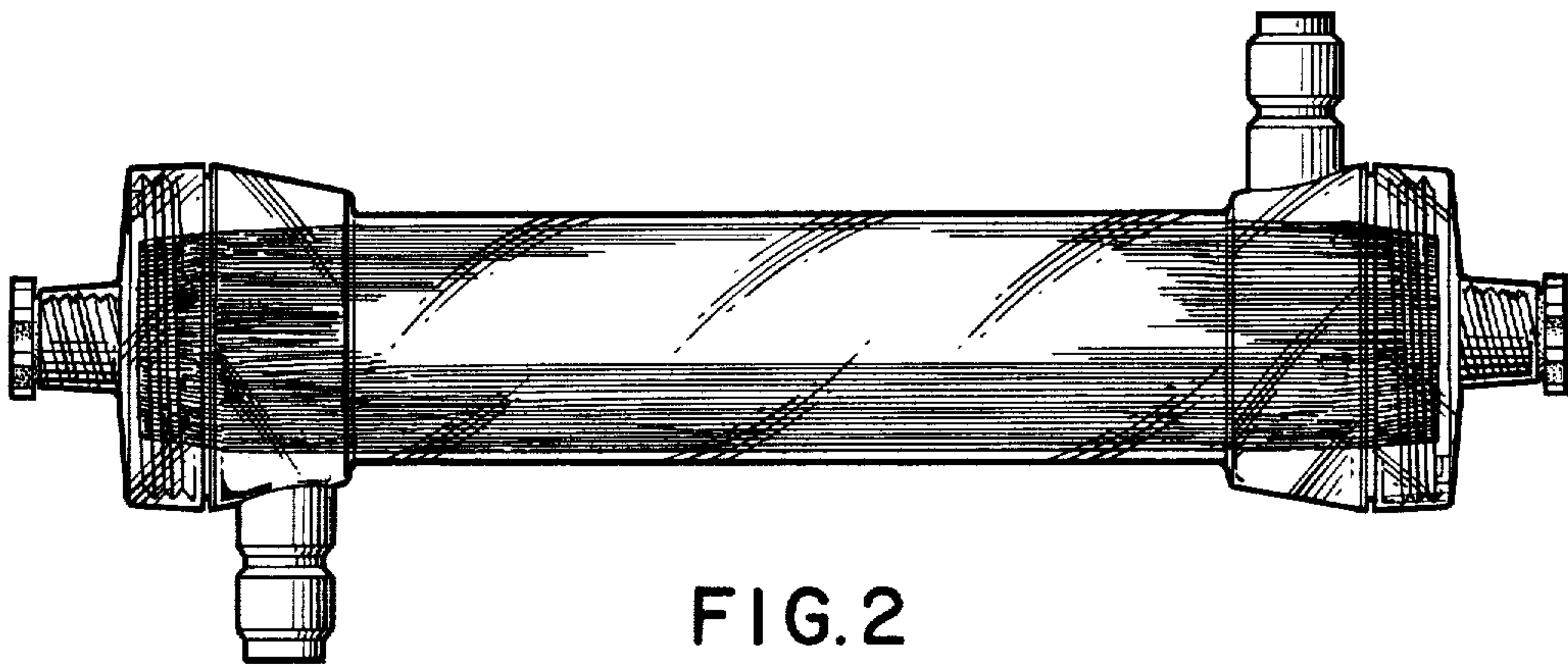


FIG. 2

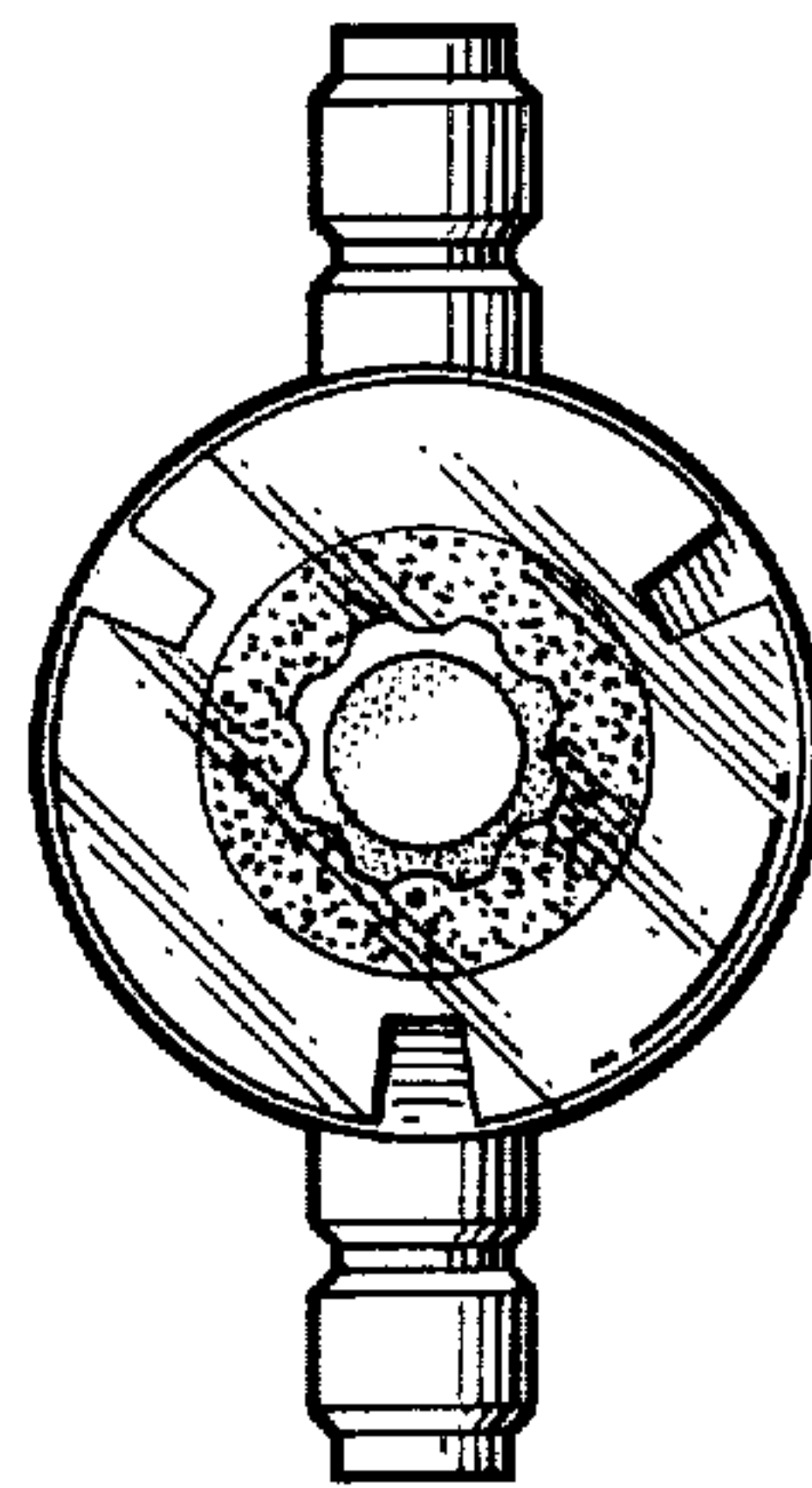


FIG. 3

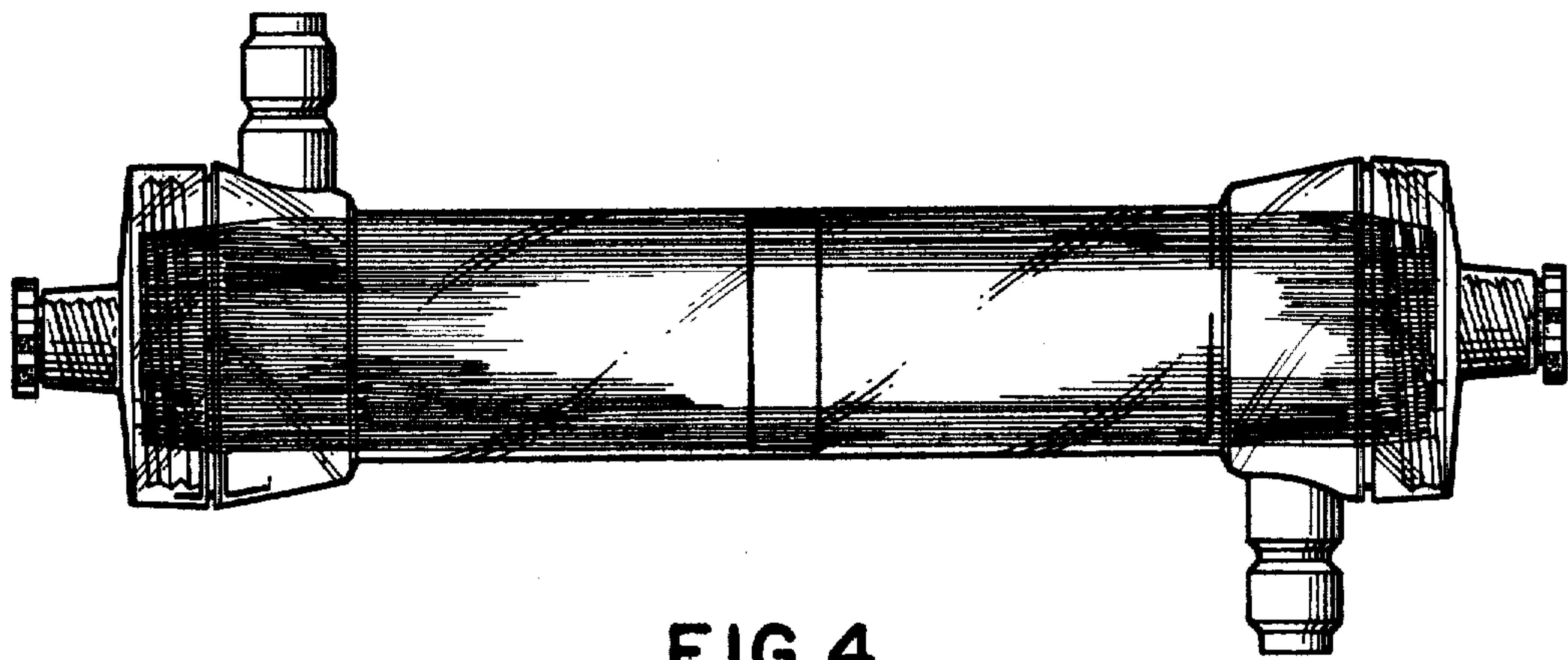


FIG. 4

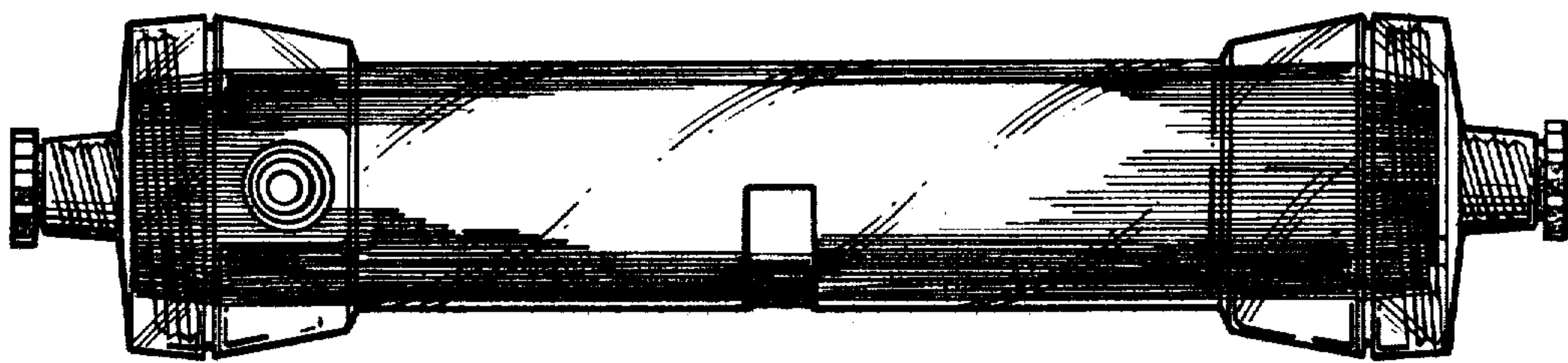


FIG. 5