

[54] WOOD BURNING STOVE

[76] Inventor: Arvin Jinsky, Rte. 1, Patrick Rd.,  
Beloit, Wis. 53511

[\*\*] Term: 14 Years

[21] Appl. No.: 215,707

[22] Filed: Dec. 12, 1980

[51] Int. Cl. .... D23-03

[52] U.S. Cl. .... D23/97

[58] Field of Search ..... D23/92-97,  
D23/105; 126/4, 6, 58, 60-66, 120, 121, 123,  
126

[56] References Cited

FOREIGN PATENT DOCUMENTS

861873 2/1941 France ..... 126/60

Primary Examiner—Catherine E. Kemper  
Attorney, Agent, or Firm—Isaksen, Lathrop, Esch, Hart  
& Clark

[57] CLAIM

The ornamental design for a wood burning stove, as  
shown and described.

DESCRIPTION

FIG. 1 is an isometric perspective view of a wood burn-  
ing stove showing my new design.

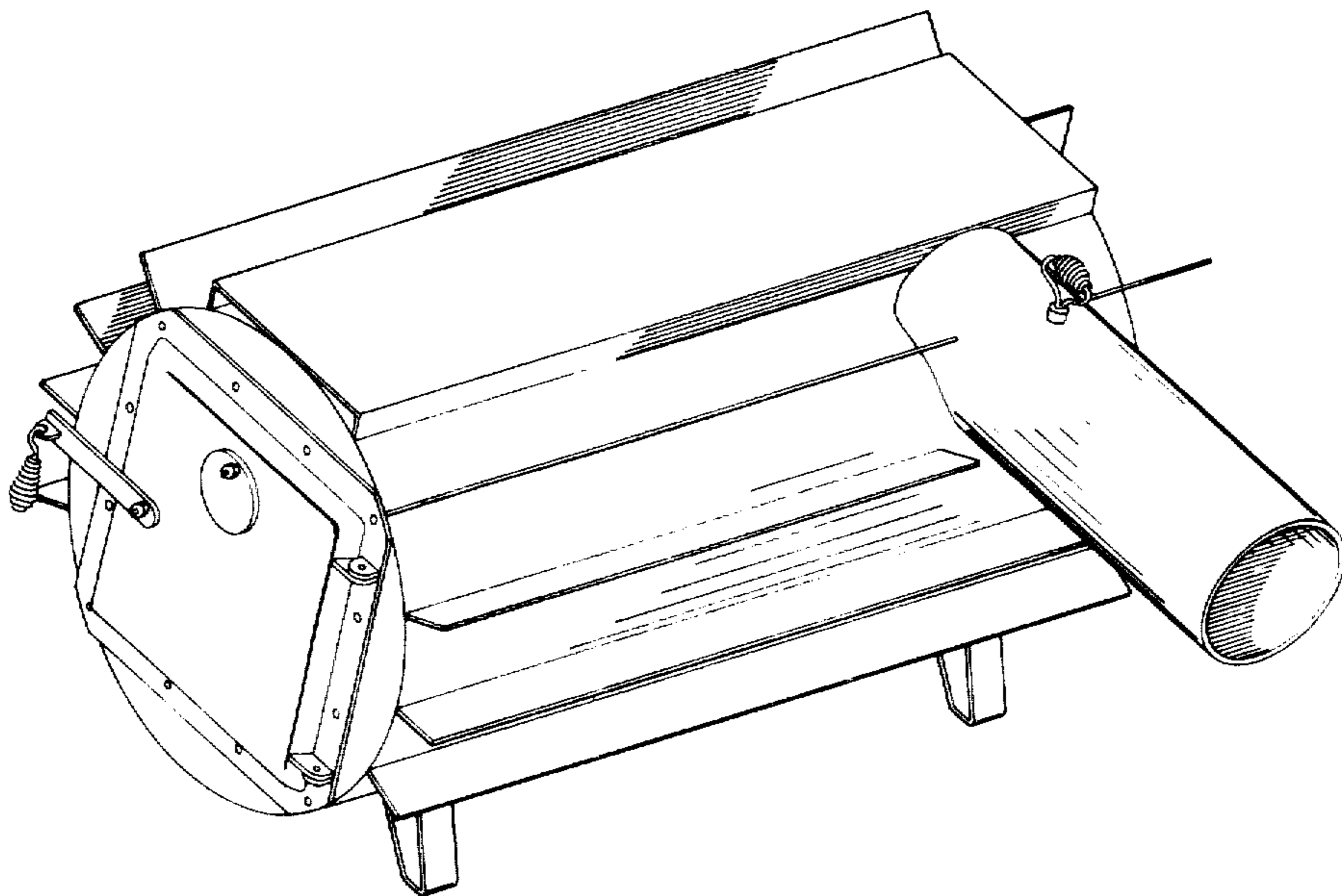
FIG. 2 is a front elevational view thereof.

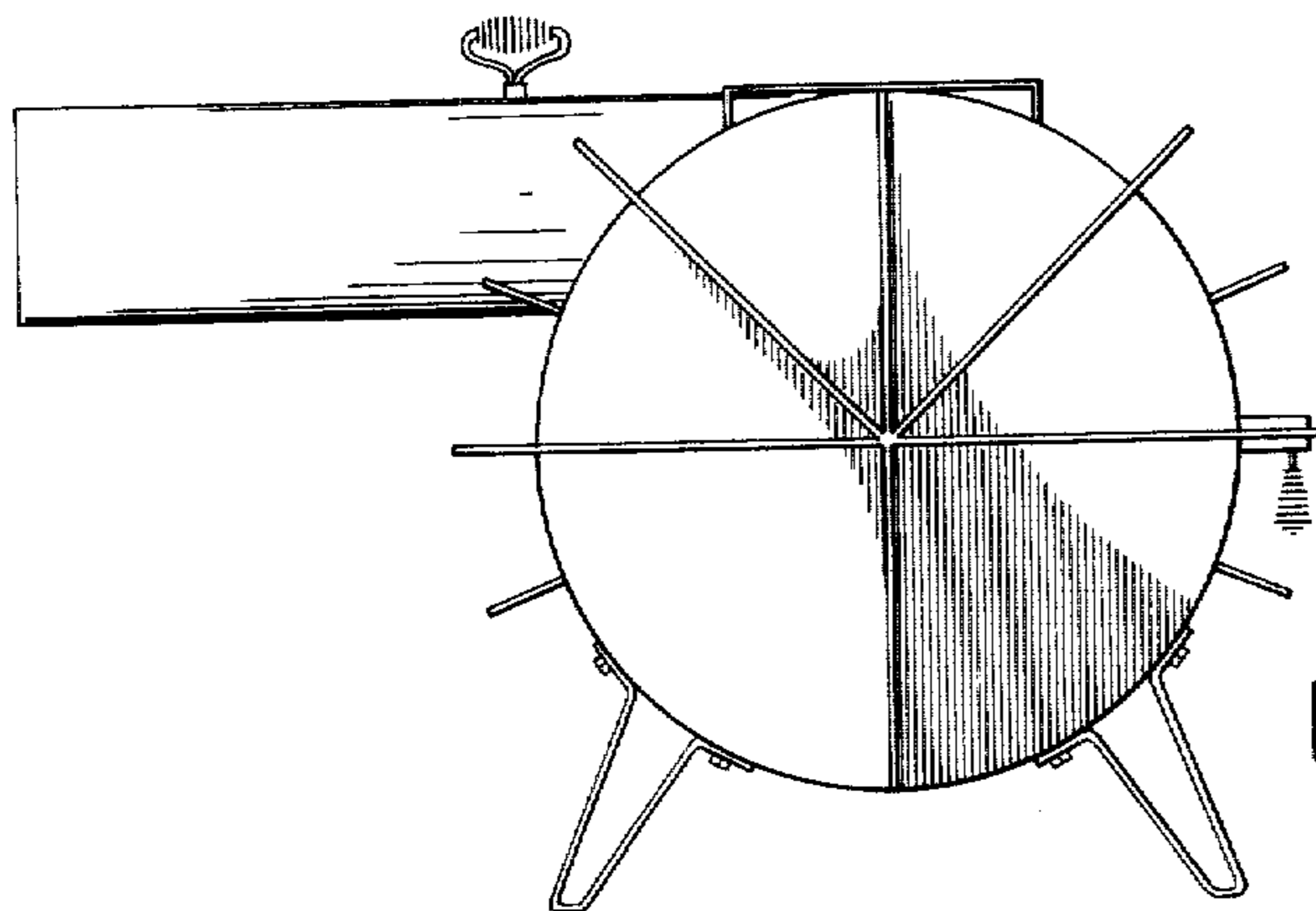
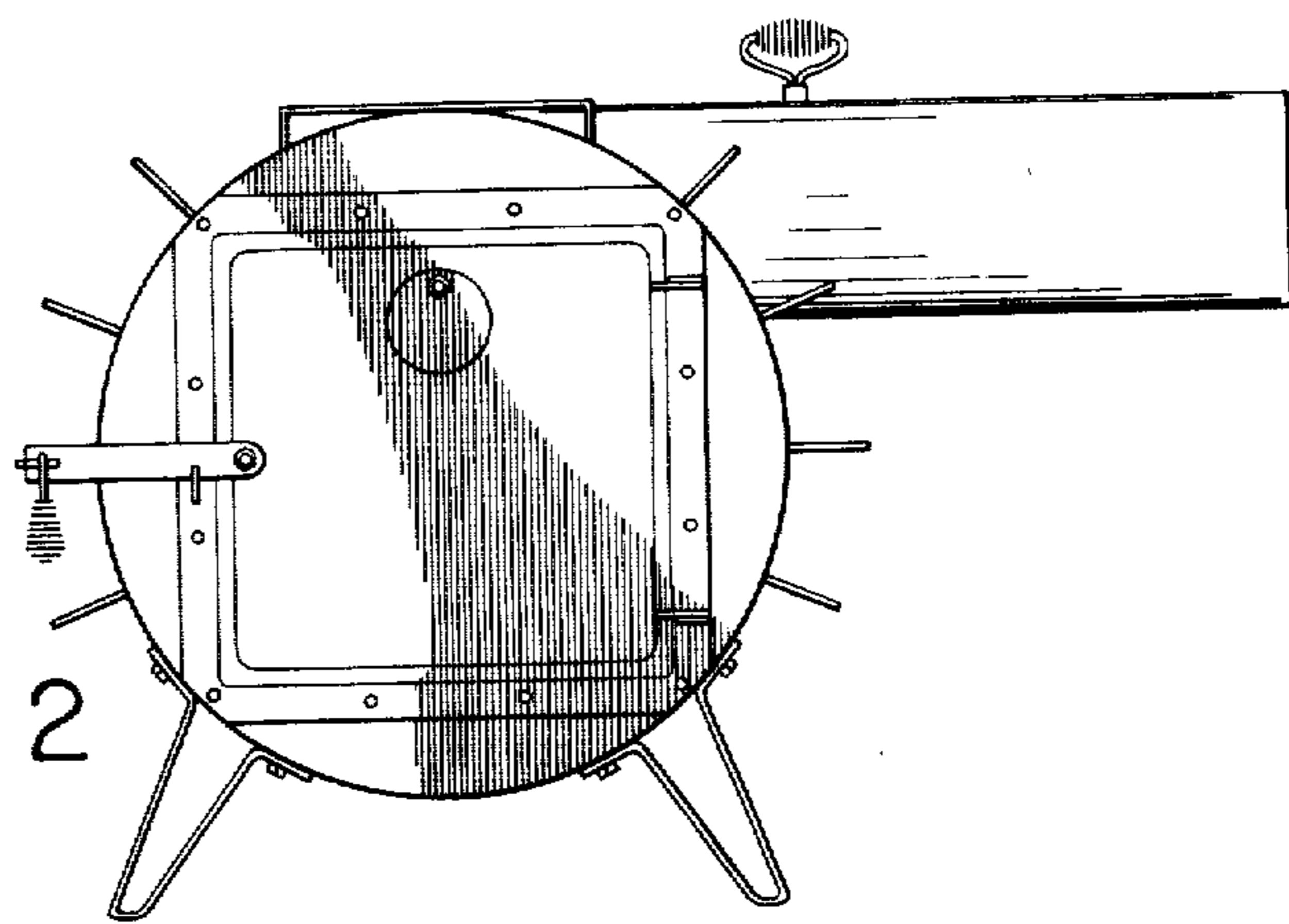
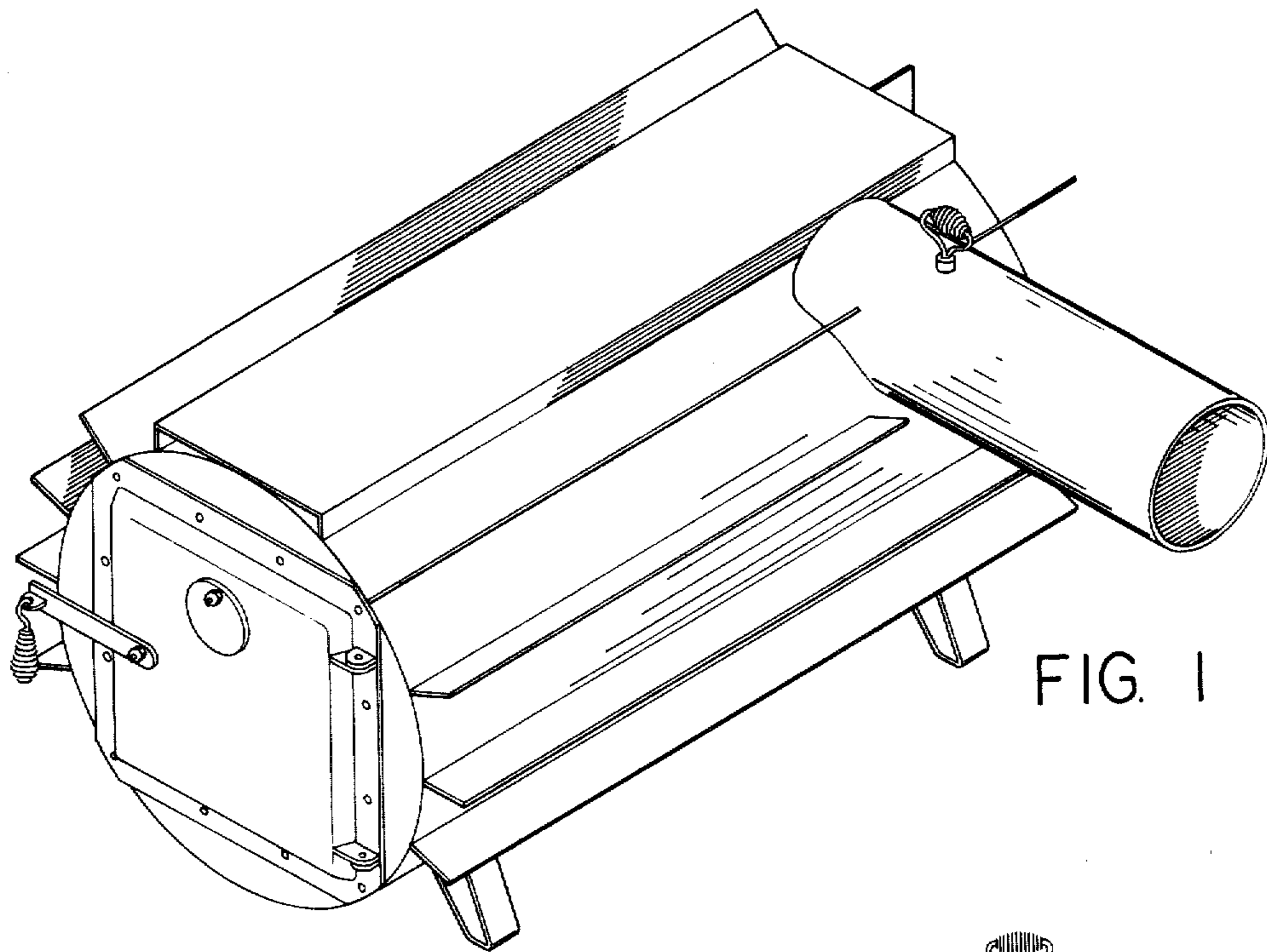
FIG. 3 is a rear elevational view thereof.

FIG. 4 is a side elevational view thereof looking from  
the left side of the view of FIG. 2.

FIG. 5 is a side elevational view thereof looking from  
the right side of the view of FIG. 2.

FIG. 6 is a top plan view thereof.





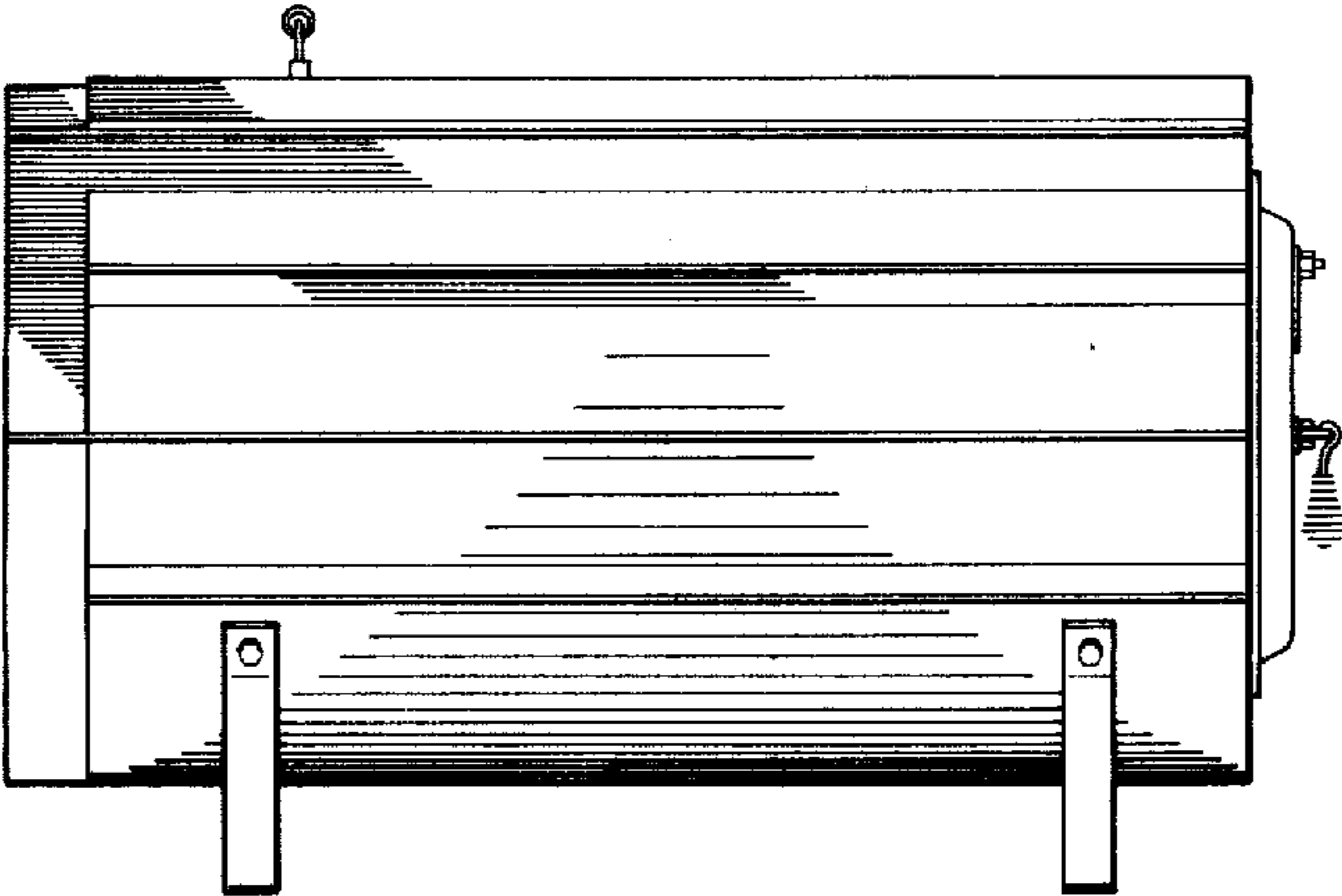


FIG. 4

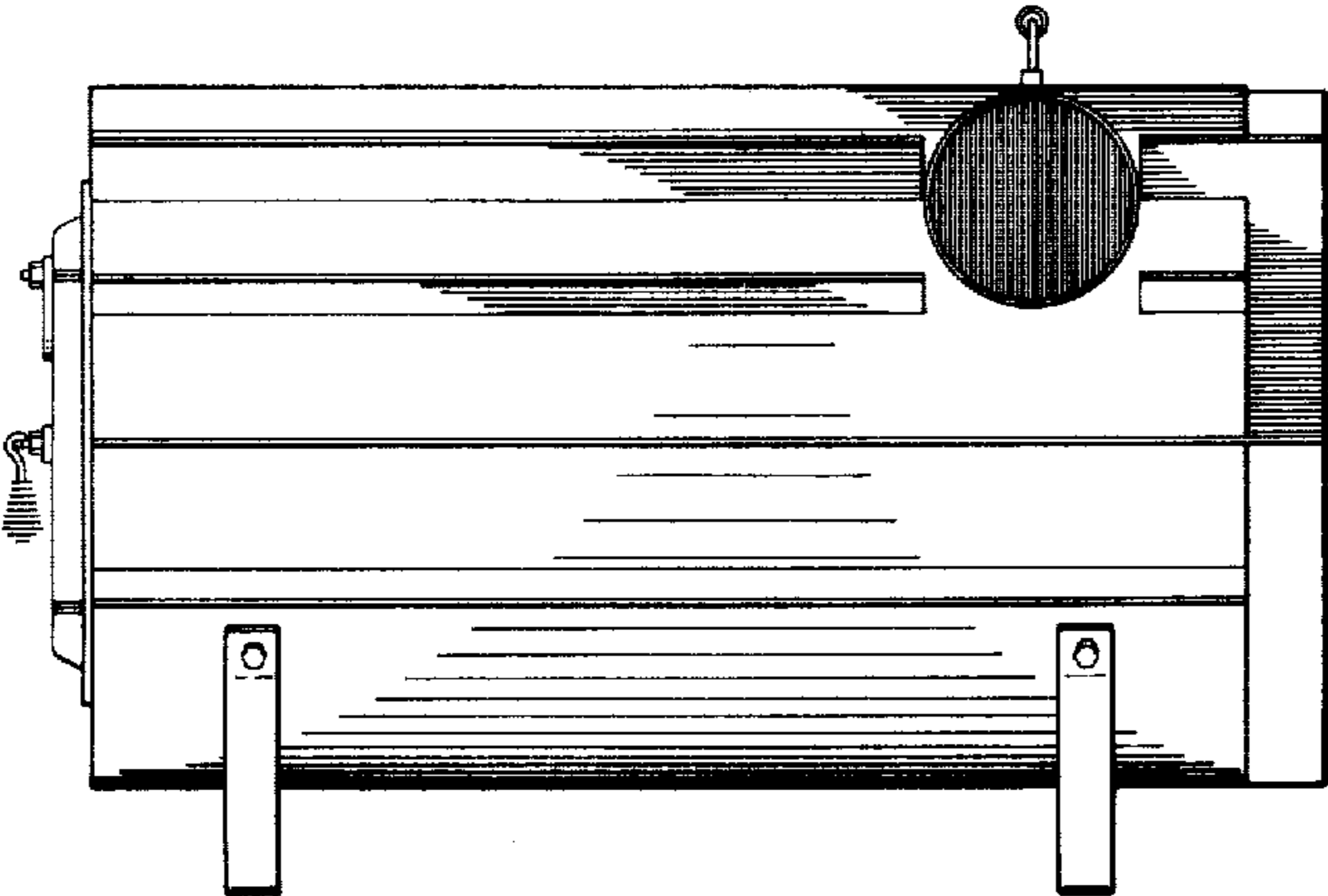


FIG. 5

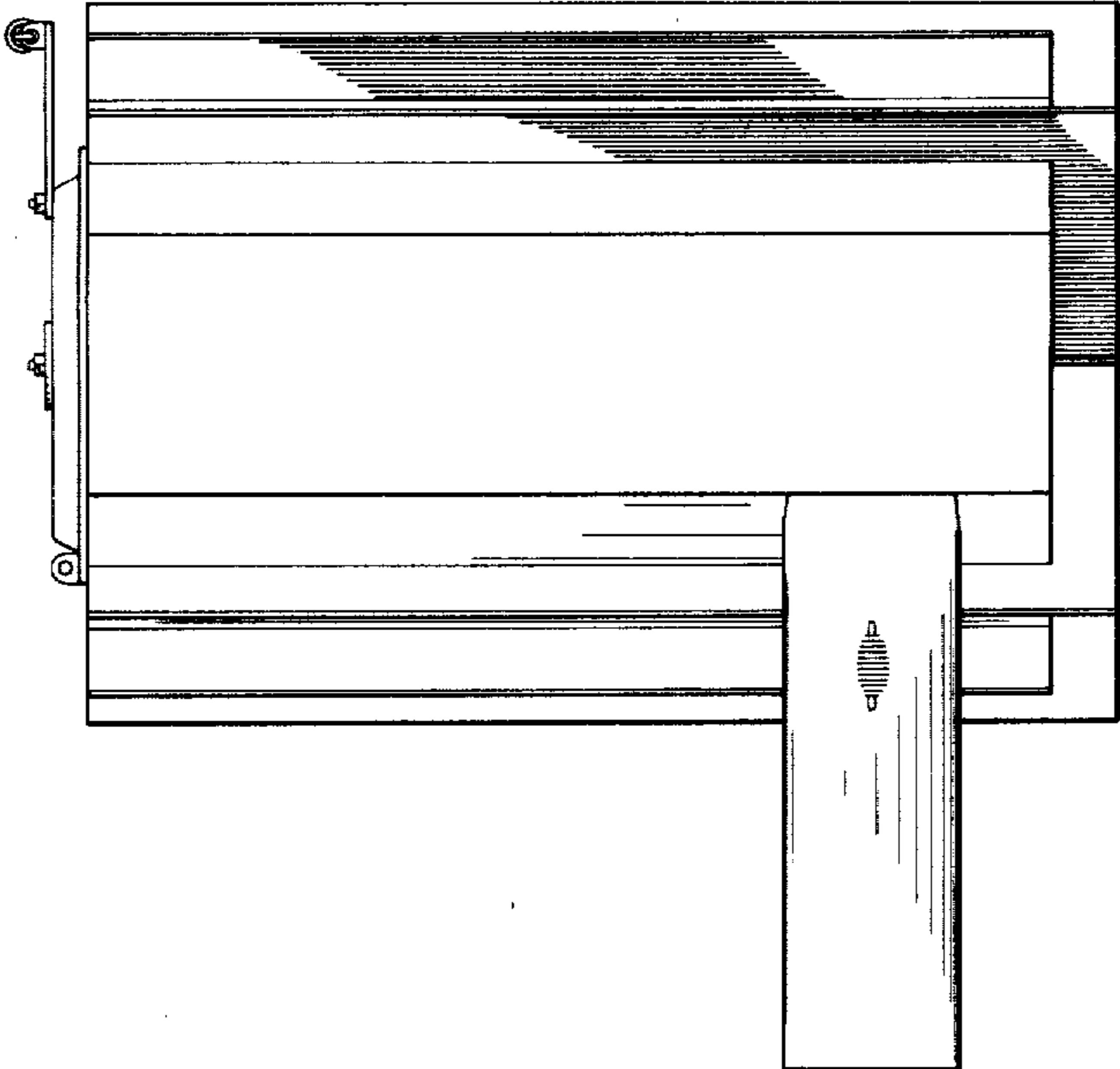


FIG. 6