

[54] VARIABLE HEIGHT BATHTUB

[76] Inventor: Leo Koet, Vestpoort 33, Delft, Netherlands

[\*\*] Term: 14 Years

[21] Appl. No.: 183,347

[22] Filed: Sep. 2, 1980

[51] Int. Cl. .... D23-02

[52] U.S. Cl. .... D23/56; 4/564

[58] Field of Search ..... D23/48-57; D24/38; 4/538, 546, 548, 552, 559, 560, 564-566, 571, 573, 578, 579, 584, 590, 592-597, 605, 611-614, 628, 654

[56] References Cited

U.S. PATENT DOCUMENTS

- D. 244,711 6/1977 Armbruster ..... D24/38
- D. 246,728 12/1977 Wormser ..... D23/55 X

- D. 247,044 1/1978 Johansson ..... D23/56
- 3,477,069 11/1969 Stiger ..... 4/566
- 3,559,634 2/1971 Lillywhite ..... 4/579 X
- 3,889,304 6/1975 Loren ..... 4/578 X
- 4,028,751 6/1977 Moran ..... 4/565

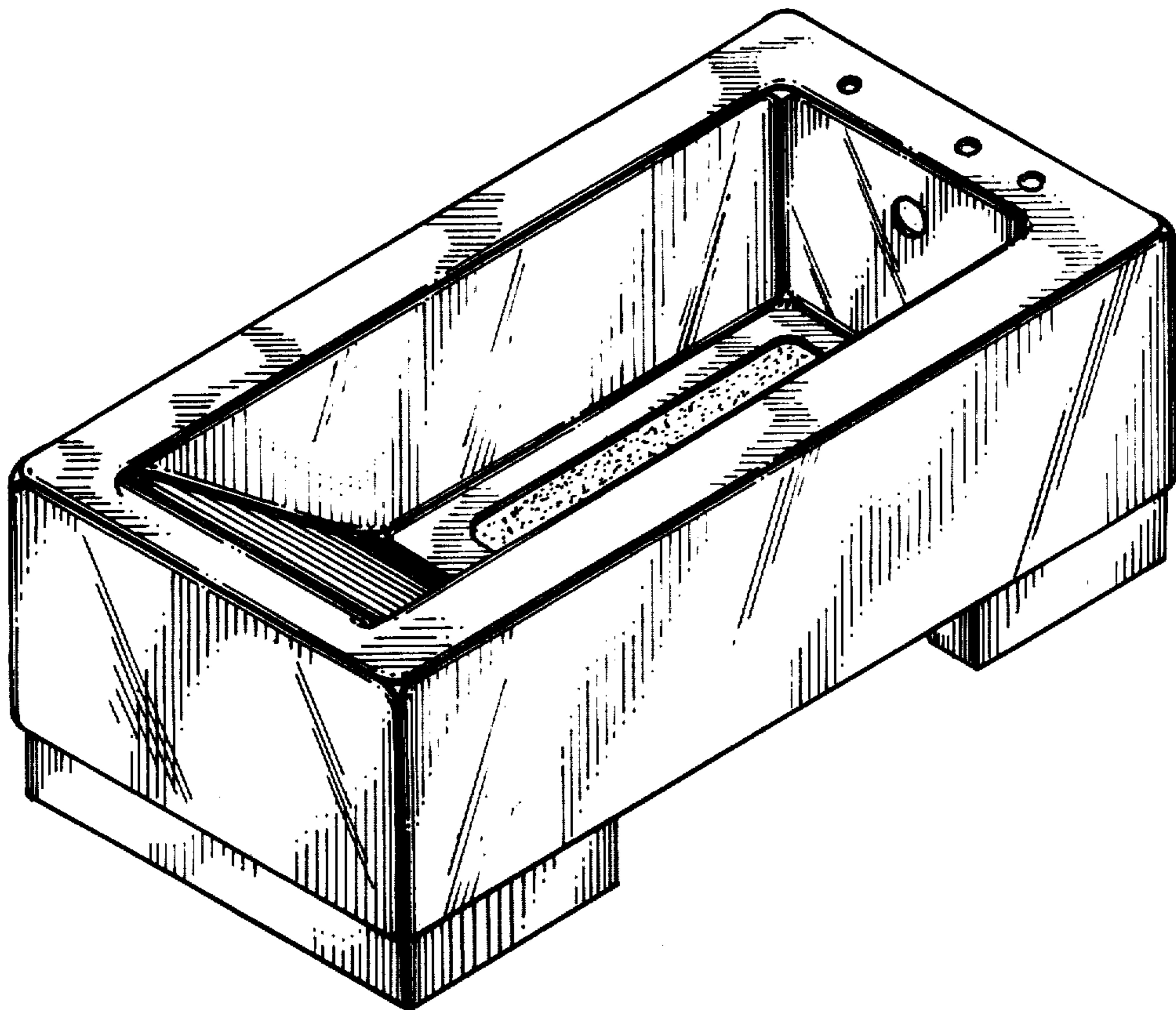
Primary Examiner—James R. Largen  
Attorney, Agent, or Firm—Diller, Ramik & Wight

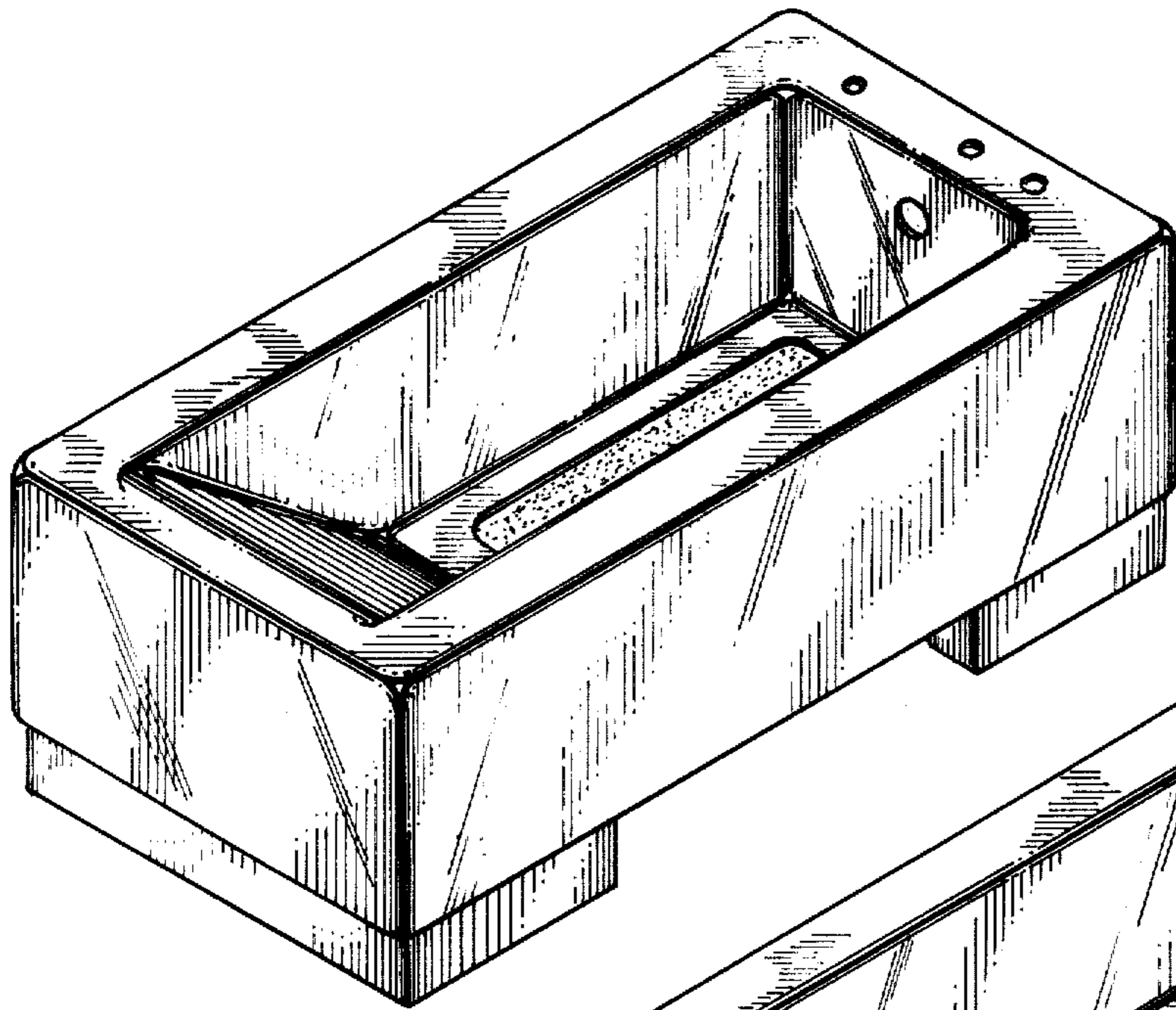
[57] CLAIM

The ornamental design for a variable height bathtub, substantially as shown and described.

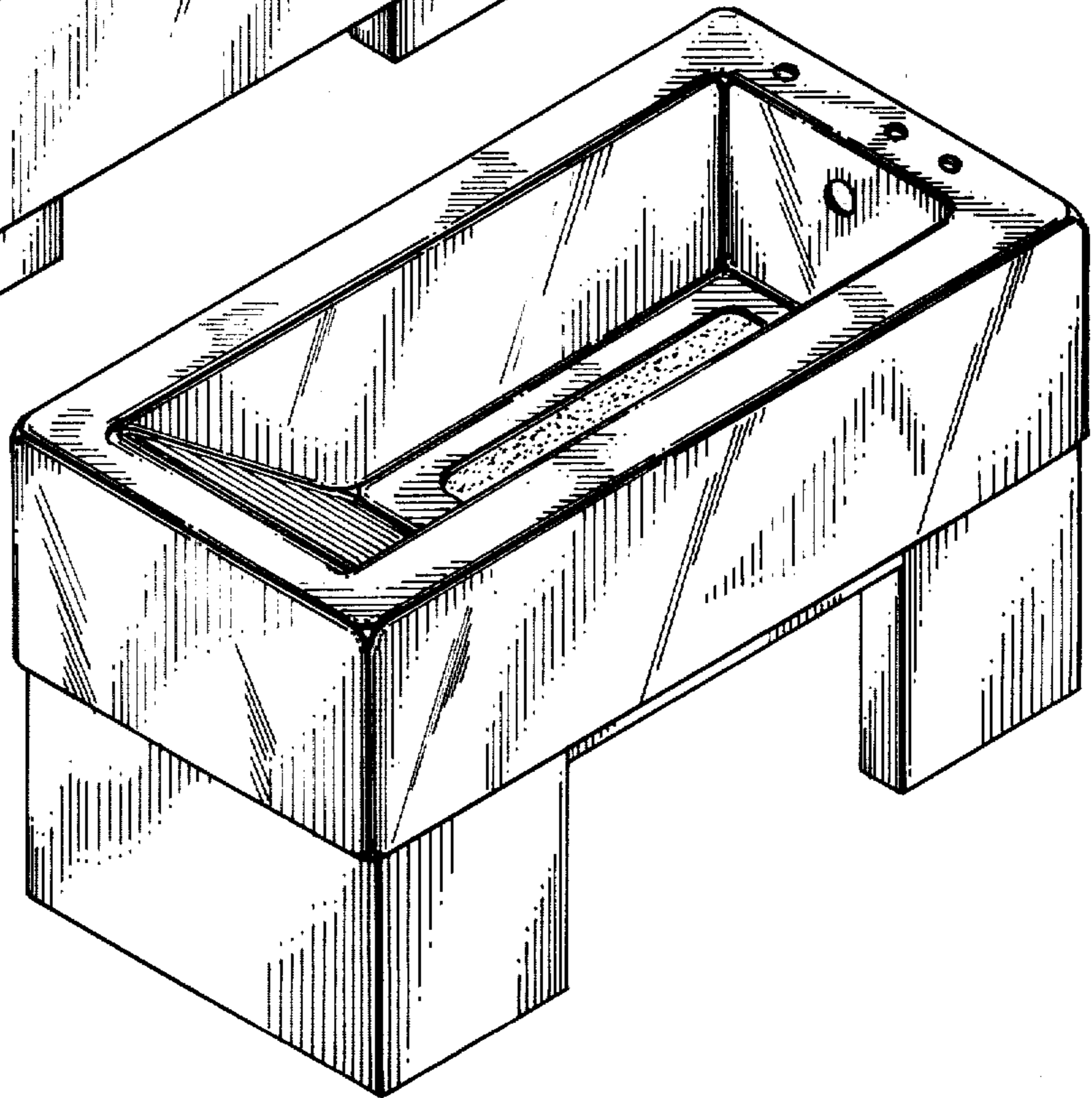
DESCRIPTION

FIG. 1 is a perspective view taken from the top, one side and one end of a variable height bathtub showing my new design, the opposite side and end being the same as the side and end shown;  
 FIG. 2 is a perspective view taken from the top, one side and one end thereof, showing the bathtub in a raised position; and  
 FIG. 3 is a top plan view thereof.





**FIG. 1**



**FIG. 2**

**FIG. 3**

