

[54] WATER PURIFIER

[75] Inventor: Pierre Lafontaine, Tarbes, France

[73] Assignee: SEB, Selongey, France

[\*\*] Term: 14 Years

[21] Appl. No.: 133,575

[22] Filed: Mar. 24, 1980

[30] Foreign Application Priority Data

Oct. 10, 1979 [FR] France ..... 168

[51] Int. Cl. .... D23-01

[52] U.S. Cl. .... D23/3; D15/113; D7/309

[58] Field of Search ..... D23/3, 4; D7/62, 41; D15/113; 210/140, 360.1, 416.3, 474, 481

[56] References Cited

U.S. PATENT DOCUMENTS

- D. 232,550 8/1974 Fushihara ..... D23/3
- D. 235,015 4/1975 Stern ..... D23/3
- D. 235,206 5/1975 Bertrand ..... D23/4
- D. 240,624 7/1976 MacMurray ..... D23/3
- D. 241,178 8/1976 Haythornthwaite ..... D23/3
- D. 241,219 8/1976 Martin ..... D15/113 X

- D. 248,721 8/1978 Sato et al. .... D7/62 X
- D. 253,572 12/1979 Rinaldi ..... D15/113 X
- D. 255,120 5/1980 Bardeau ..... D15/113
- 4,218,317 8/1980 Kirschmann ..... 210/416.3
- 4,312,754 1/1982 Lafontaine ..... 210/267

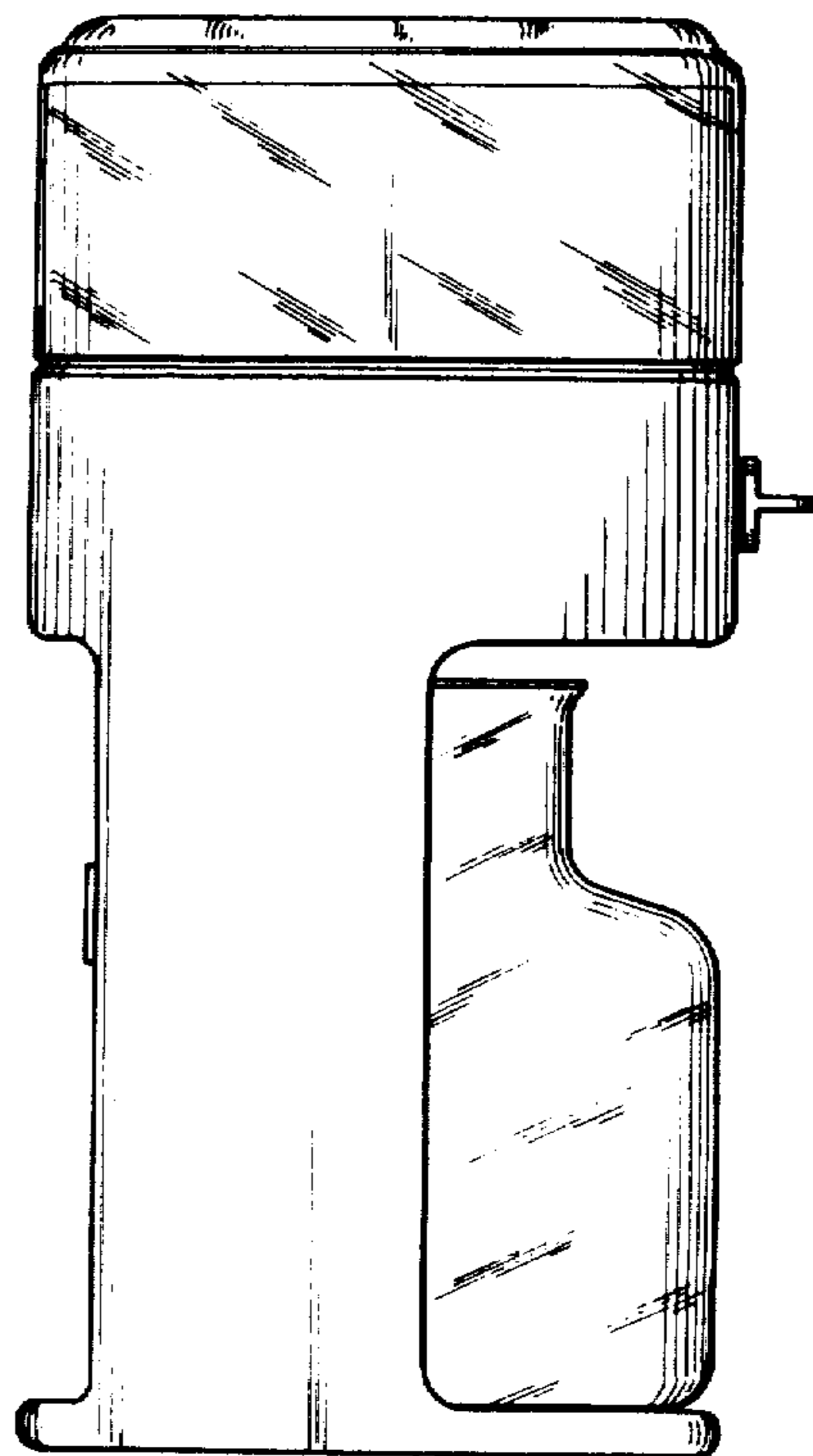
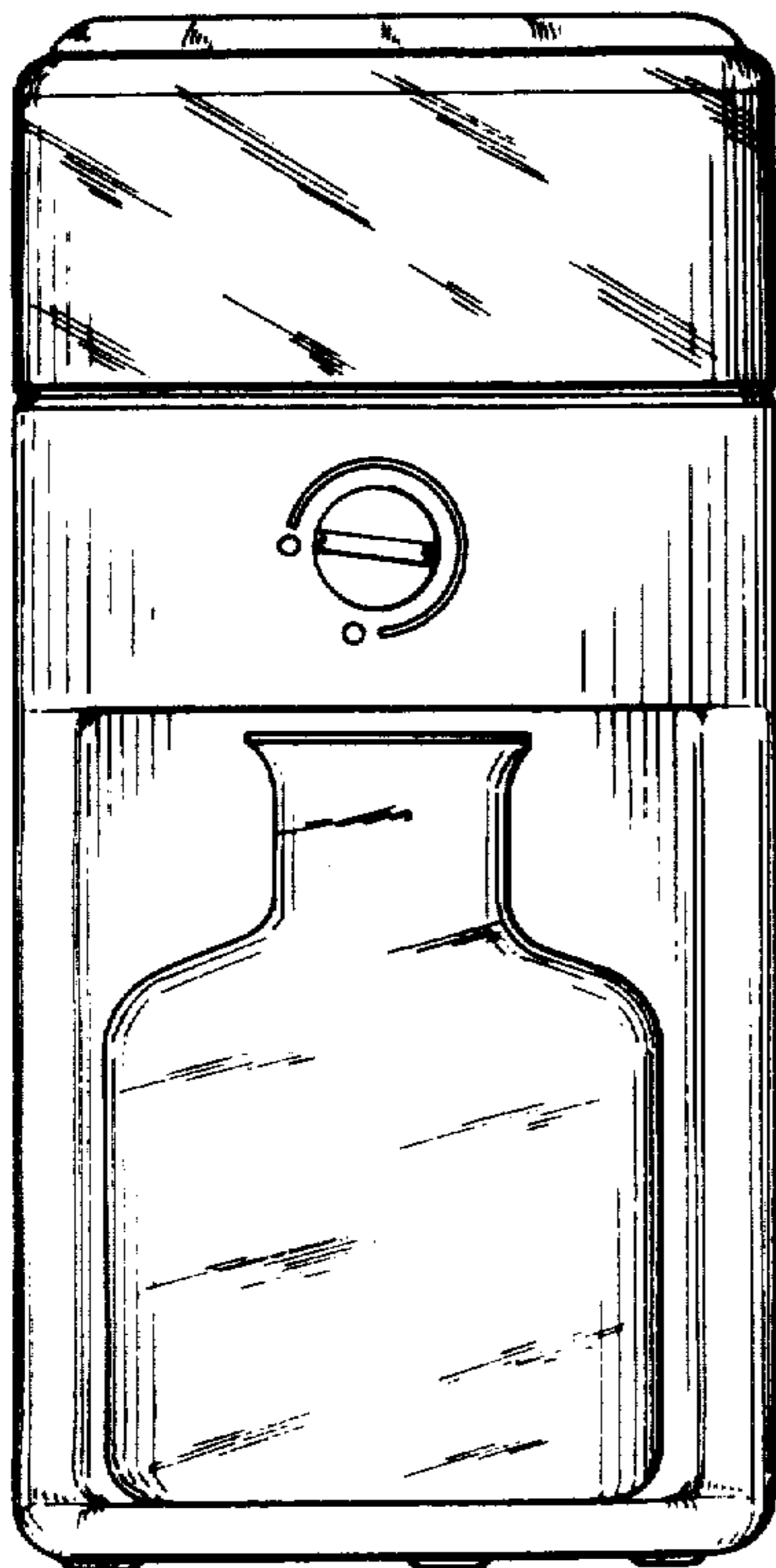
Primary Examiner—James R. Largen  
Attorney, Agent, or Firm—Young & Thompson

[57] CLAIM

The ornamental design for a water purifier, as shown and described.

DESCRIPTION

FIG. 1 is a front elevational view of a water purifier, showing my new design,  
 FIG. 2 is a rear elevational view thereof,  
 FIG. 3 is a side elevational view thereof,  
 FIG. 4 is an elevational view taken from the side opposite that shown in FIG. 3;  
 FIG. 5 is a top plan view thereof,  
 FIG. 6 is a bottom plan view thereof,  
 FIG. 7 is a perspective view taken from the top, front and right side thereof;  
 FIG. 8 is another perspective view taken from the top, front and right side thereof, showing the water purifier in an open position; and  
 FIG. 9 is an exploded front perspective view thereof.



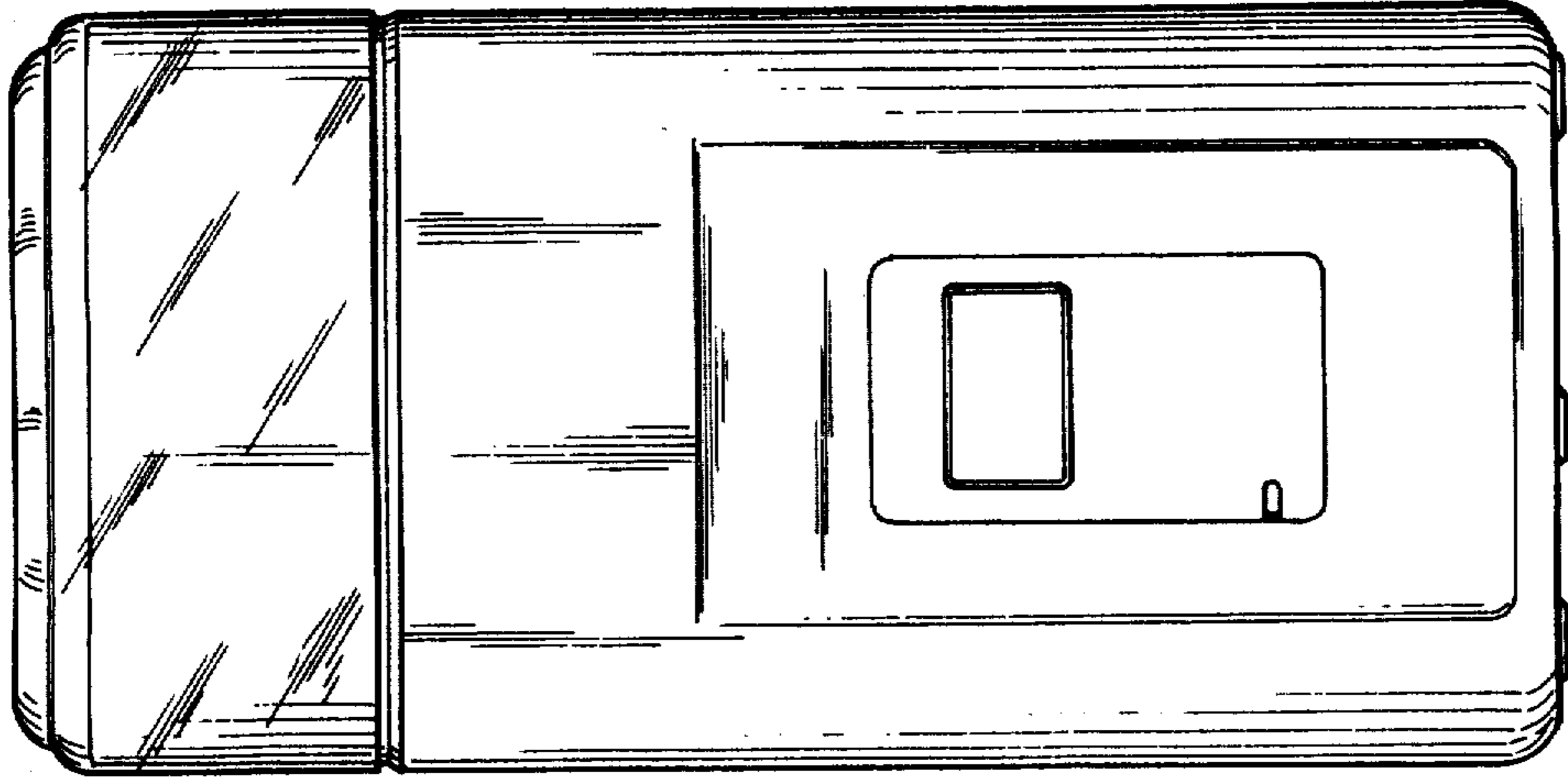


FIG. 2

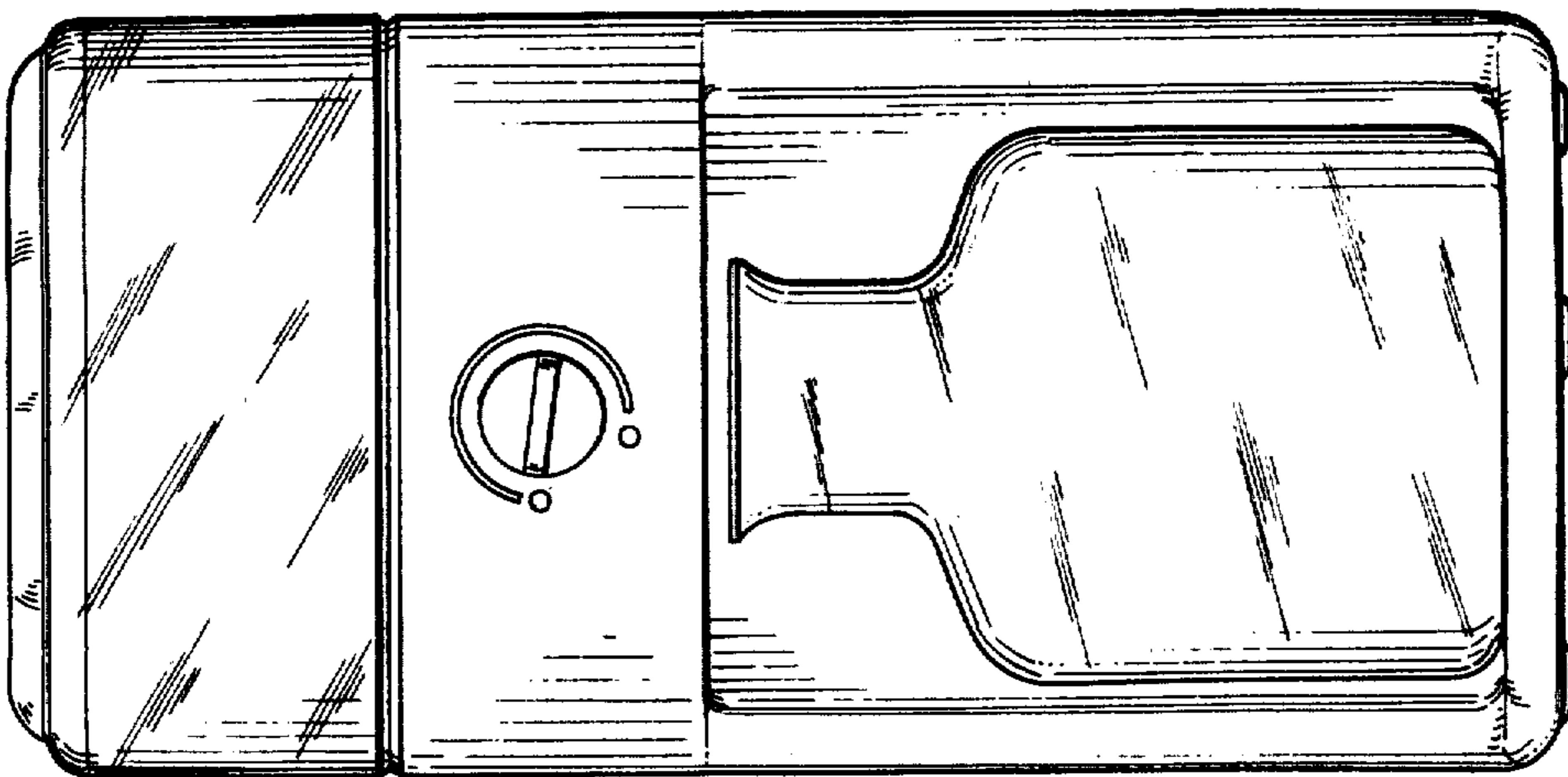


FIG. 1

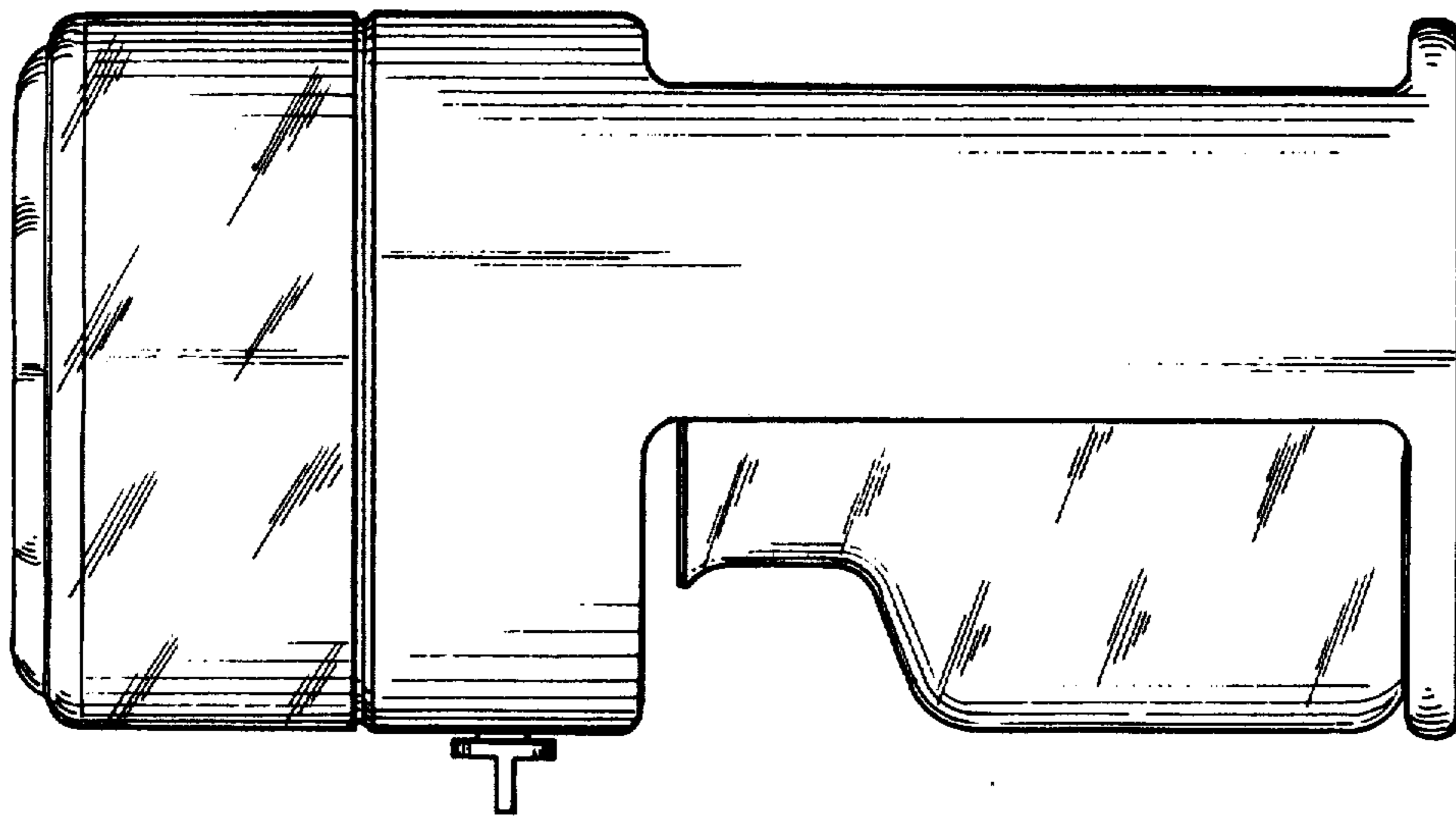


FIG. 4

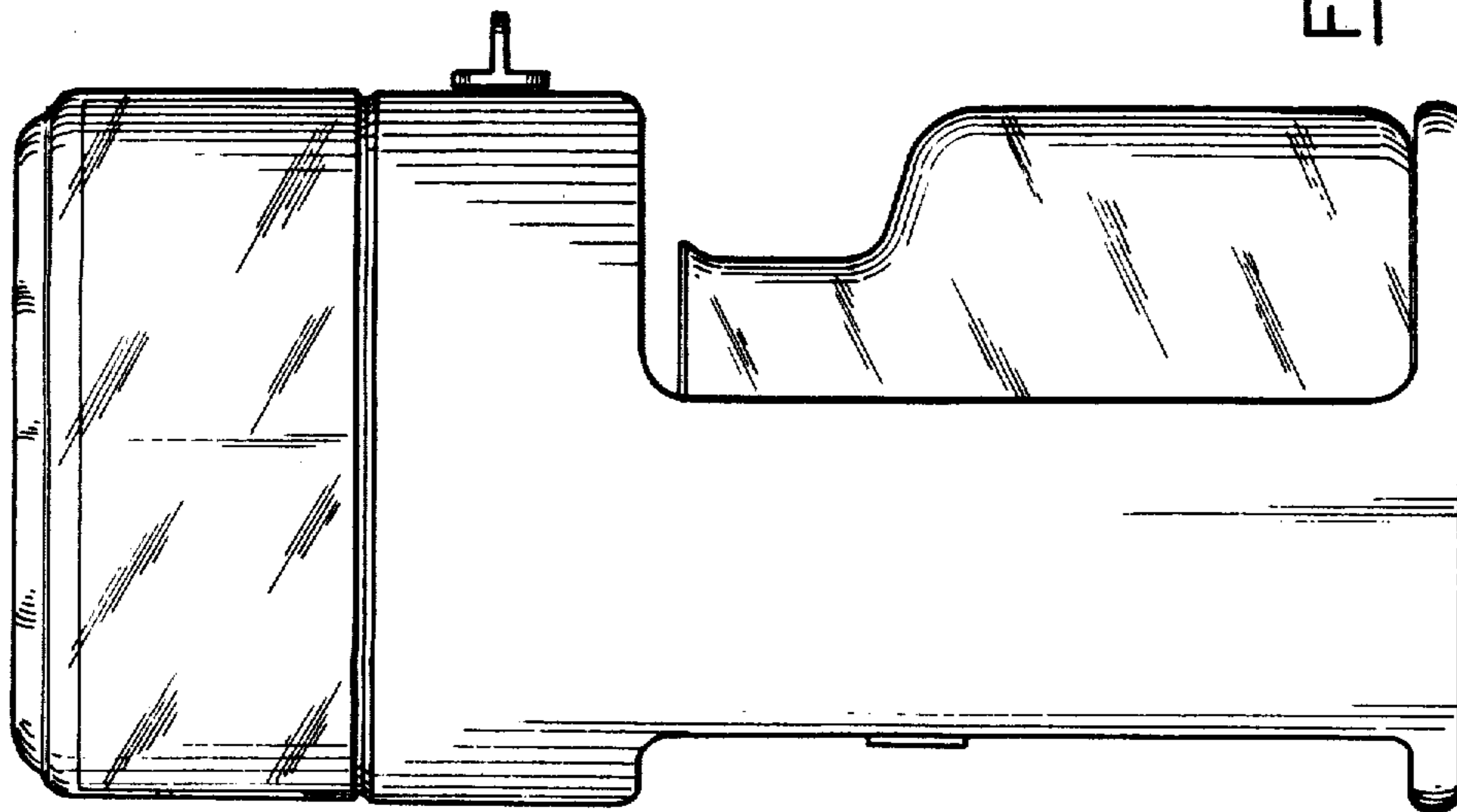


FIG. 3

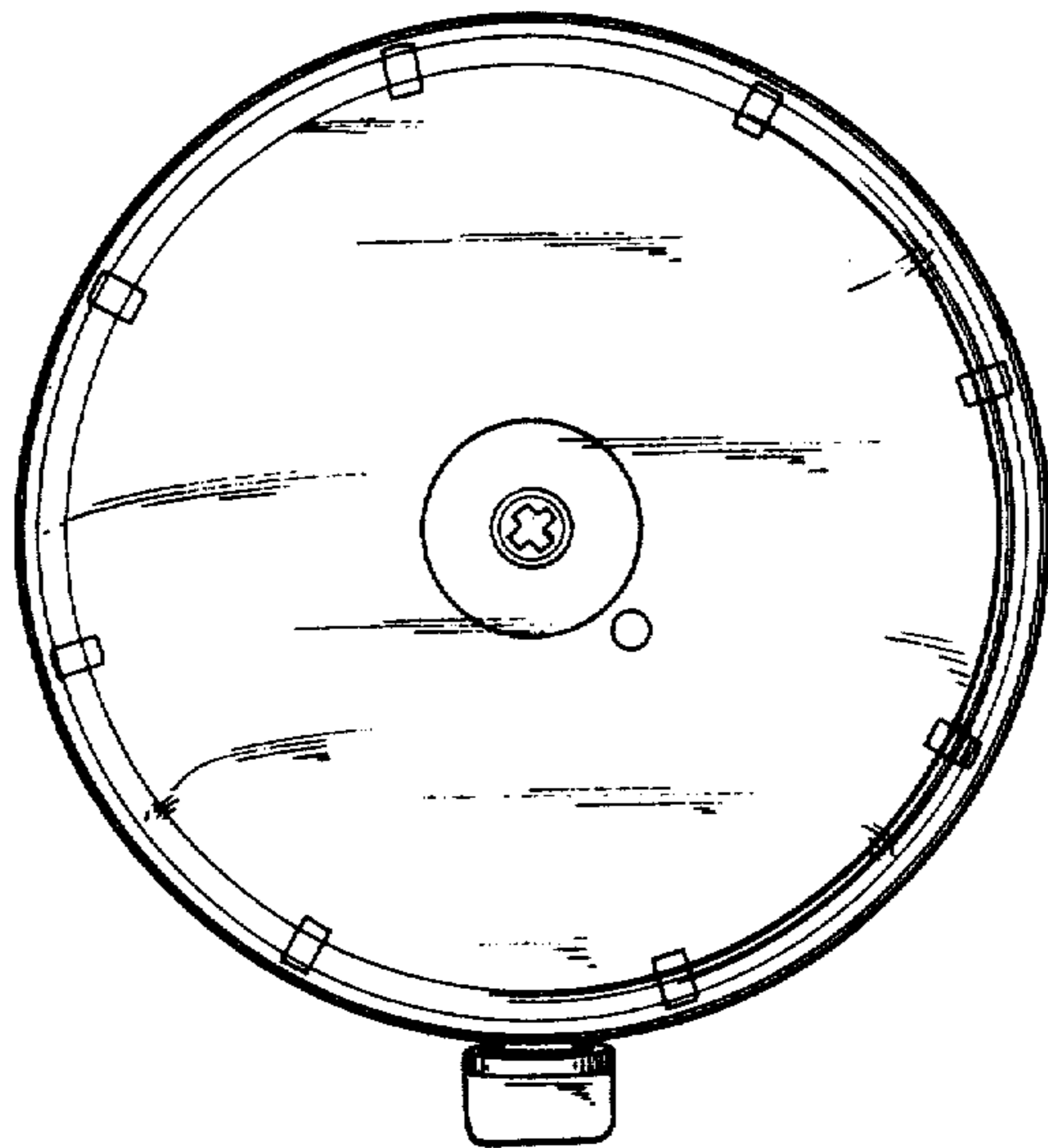


FIG. 5

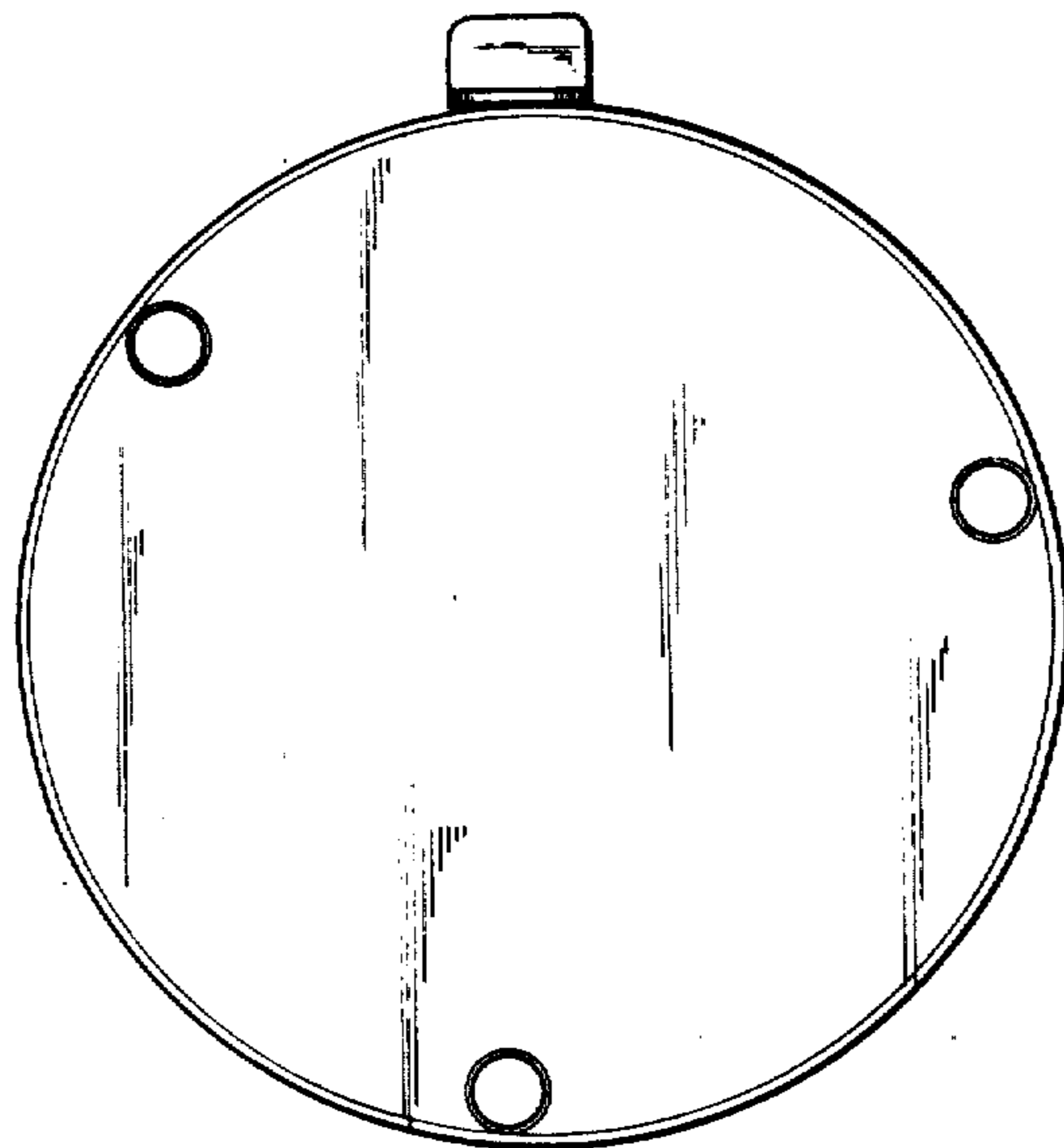


FIG. 6



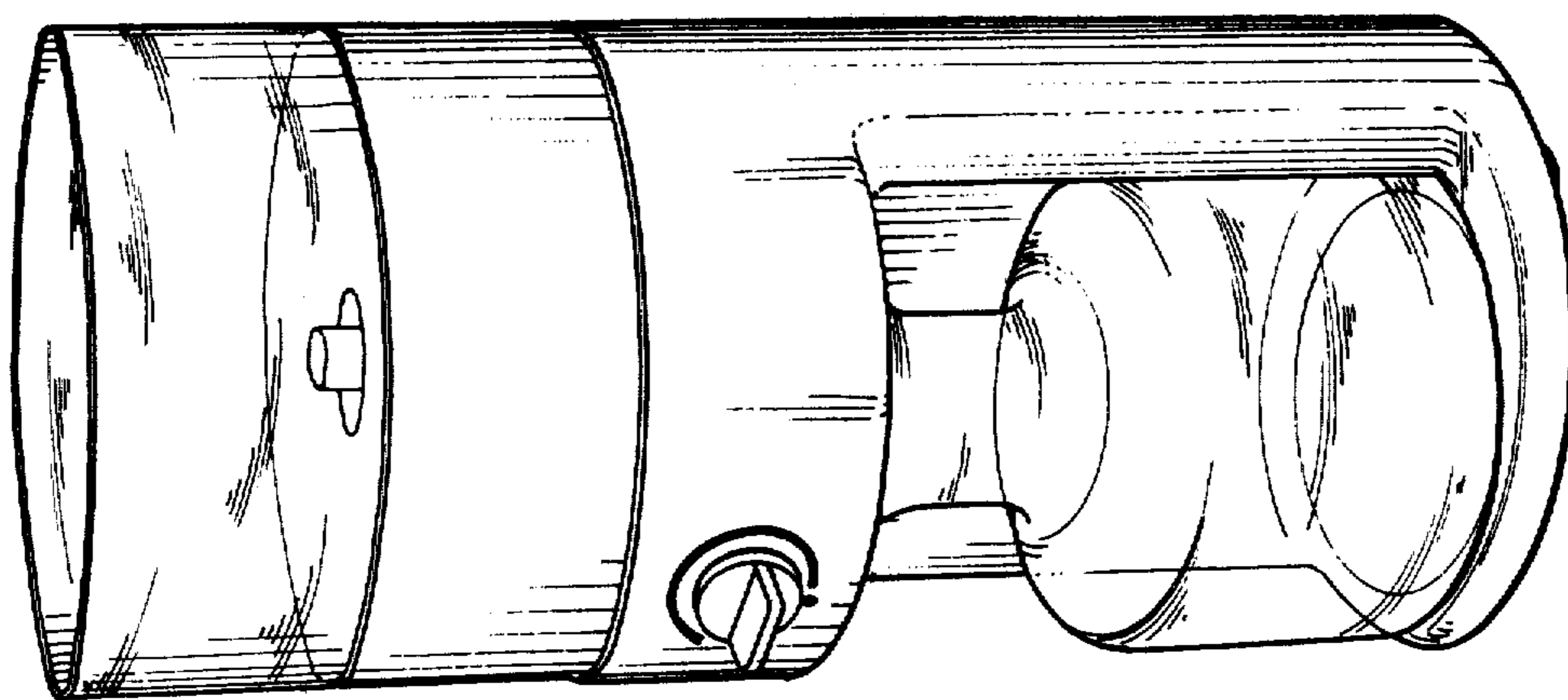


FIG. 8

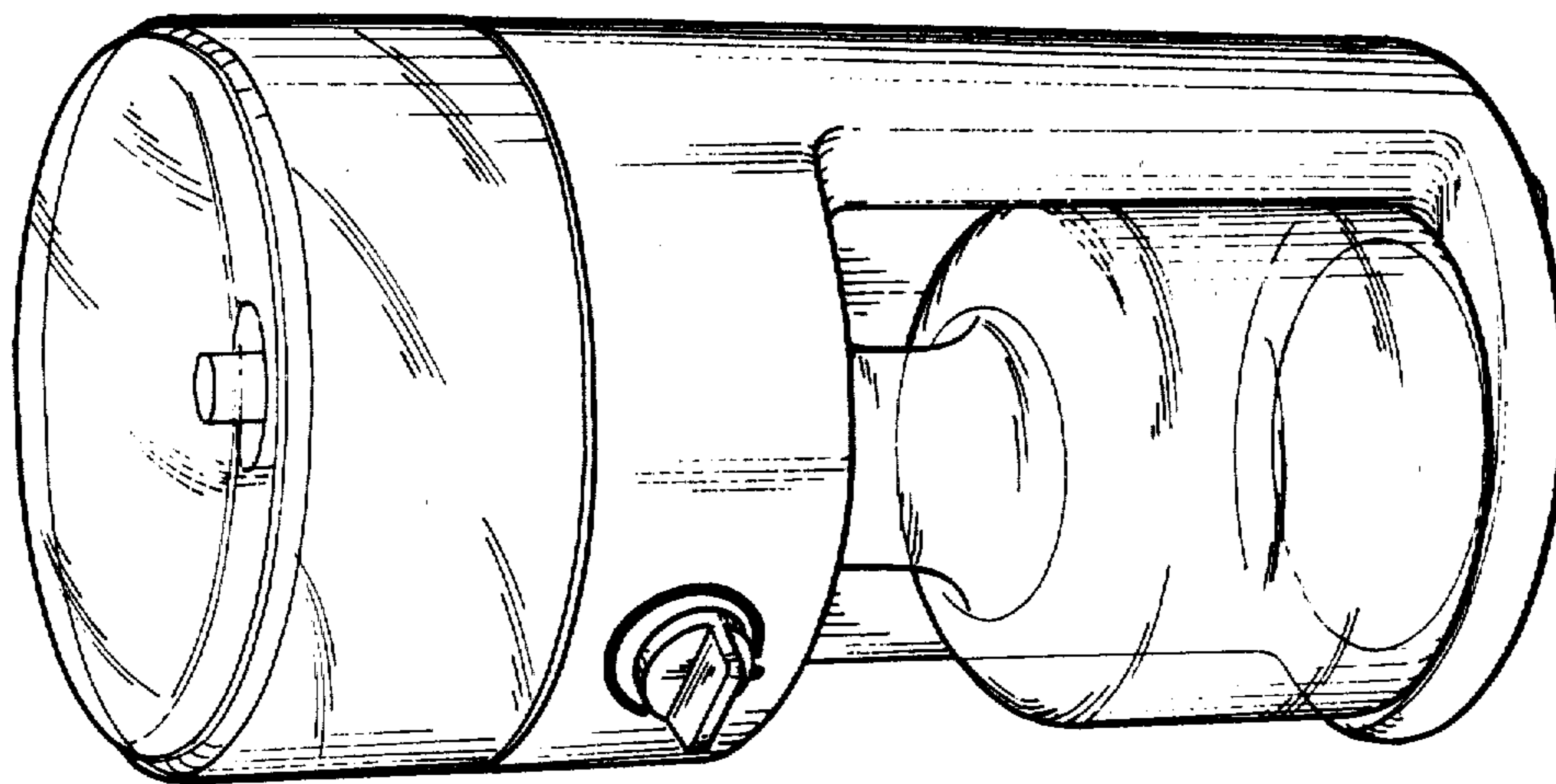


FIG. 7

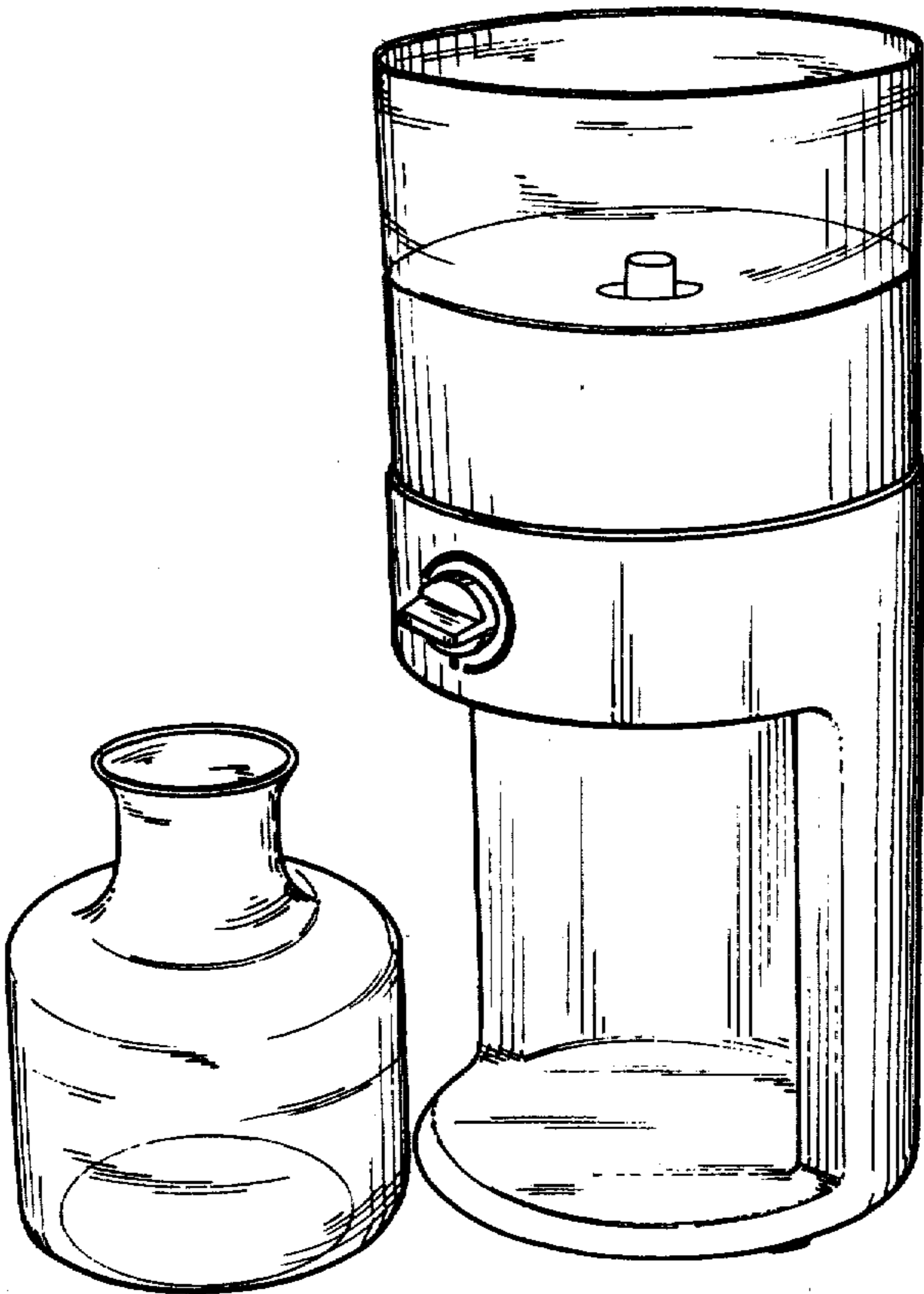


FIG. 9

UNITED STATES PATENT AND TRADEMARK OFFICE  
CERTIFICATE OF CORRECTION

PATENT NO. : Des. 267,032  
DATED : Nov. 23, 1982  
INVENTOR(S) : Pierre LAFONTAINE

It is certified that error appears in the above—identified patent and that said Letters Patent is hereby corrected as shown below:

ON THE TITLE PAGE, ITEM [ 30 ] Foreign Application Priority  
Data, change "Oct. 10, 1979" to --Oct. 1, 1979--.

**Signed and Sealed this**

*First Day of March 1983*

[SEAL]

*Attest:*

*Attesting Officer*

GERALD J. MOSSINGHOFF

*Commissioner of Patents and Trademarks*