

[54] PHYSICAL EXERCISER

[76] Inventors: Lloyd J. Lambert, Jr.; Lloyd J. Lambert, Sr., both of 1538 College Ave., South Houston, Tex. 77587

[**] Term: 14 Years

[21] Appl. No.: 100,155

[22] Filed: Dec. 4, 1979

[51] Int. Cl. D21-02

[52] U.S. Cl. D21/195

[58] Field of Search D21/191-199; 272/118, 134, 117, 130, 133, 144, 145, 143, 116, 72, 126, 132

[56] References Cited

U.S. PATENT DOCUMENTS

2,212,119	8/1940	Julsrud et al.	272/126
3,116,062	12/1963	Zinkin	272/118

3,743,282	7/1973	Zinkin	272/118
4,084,815	4/1978	Flannery	272/126
4,240,626	12/1980	Lambert	272/118

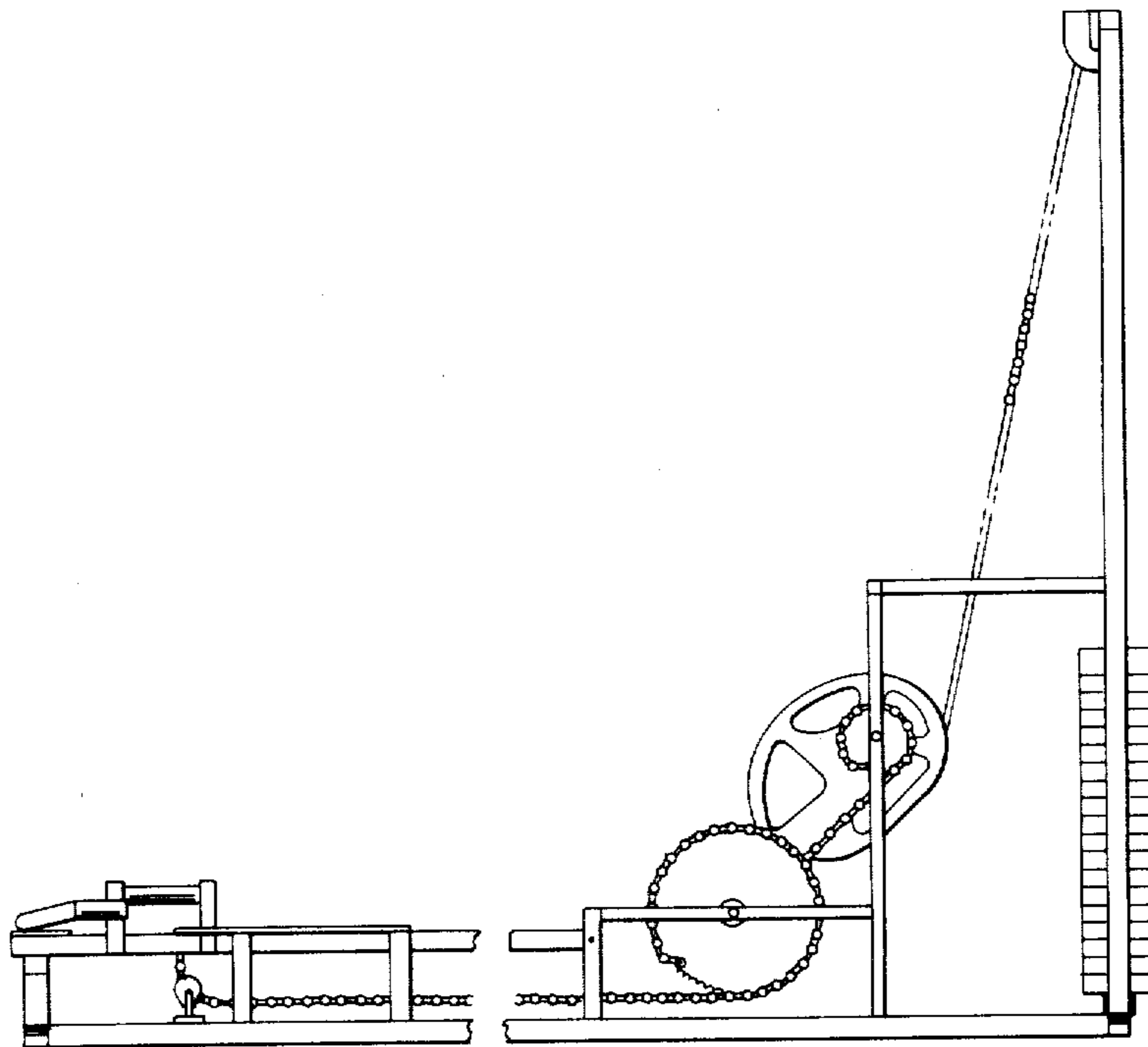
Primary Examiner—Charles A. Rademaker
Attorney, Agent, or Firm—Victor J. Evans & Co.

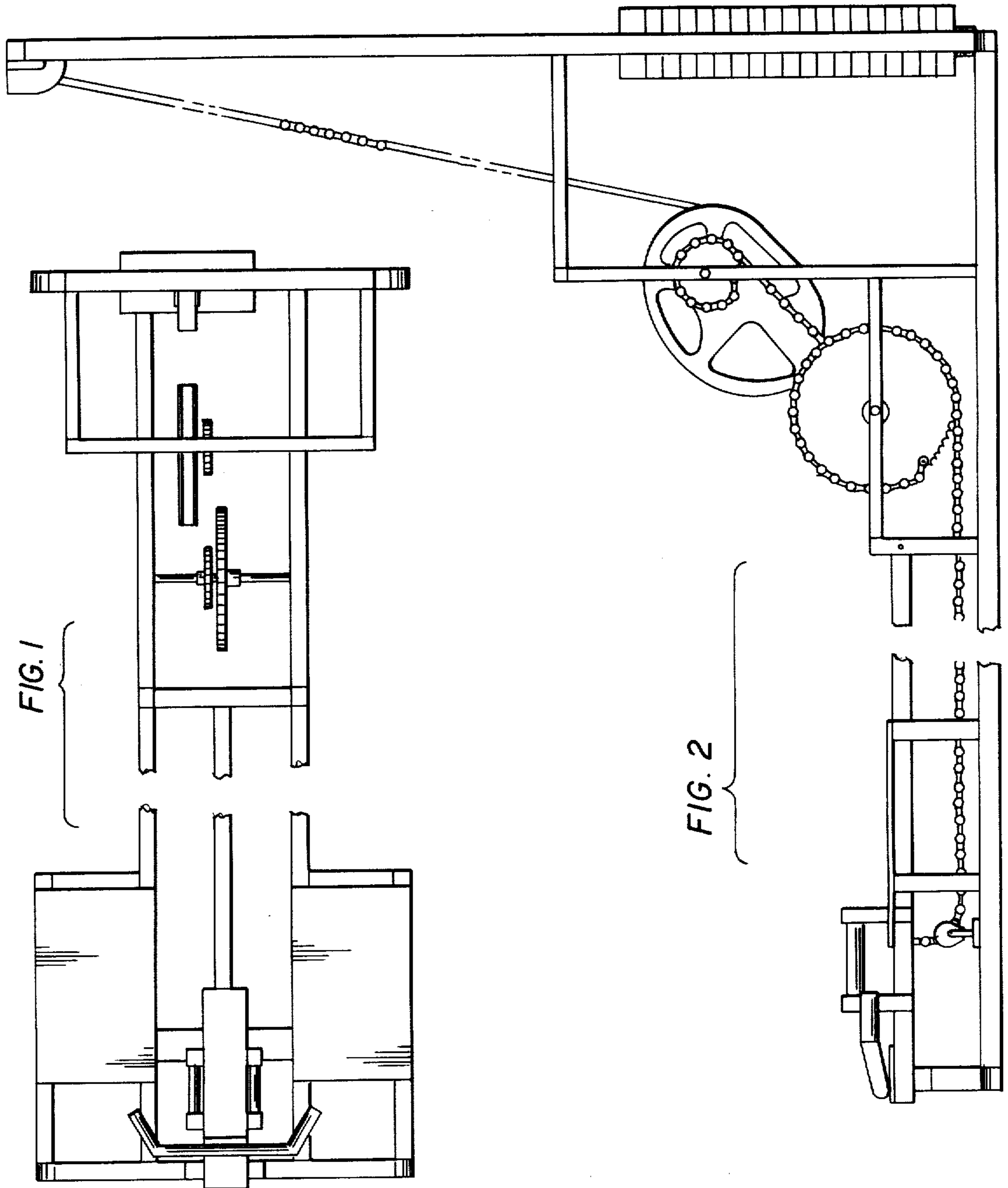
[57] CLAIM

The ornamental design for a physical exerciser, as shown and described.

DESCRIPTION

FIG. 1 is a top plan view of a physical exerciser showing our new design;
 FIG. 2 is a right side elevational view thereof;
 FIG. 3 is a bottom plan view thereof;
 FIG. 4 is a left side elevation view thereof;
 FIG. 5 is a front elevational view thereof;
 FIG. 6 is a rear elevational view thereof.
 The frame members have been partially shown in fragment in FIGS. 1 through 4 to indicate indeterminate length.





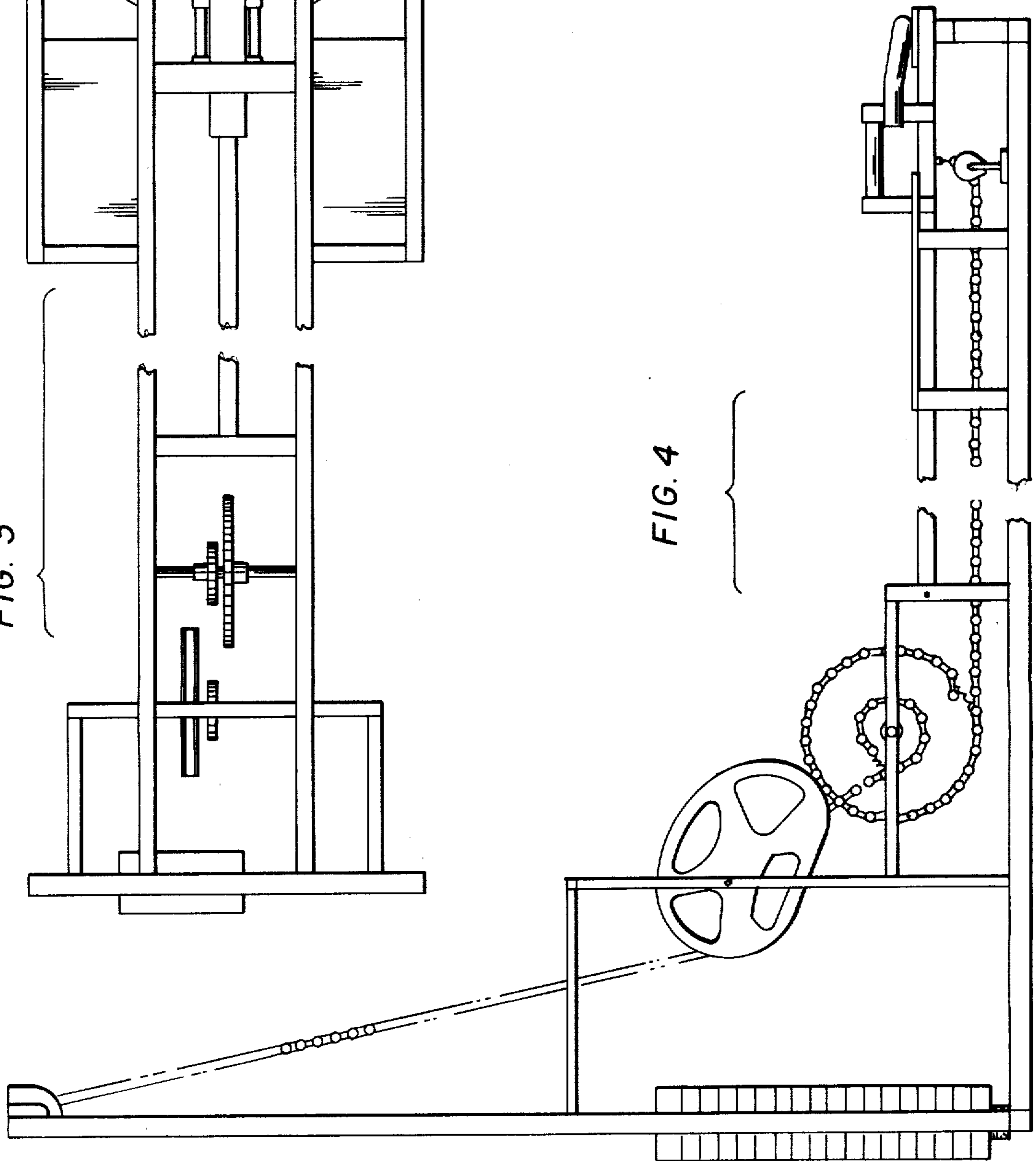
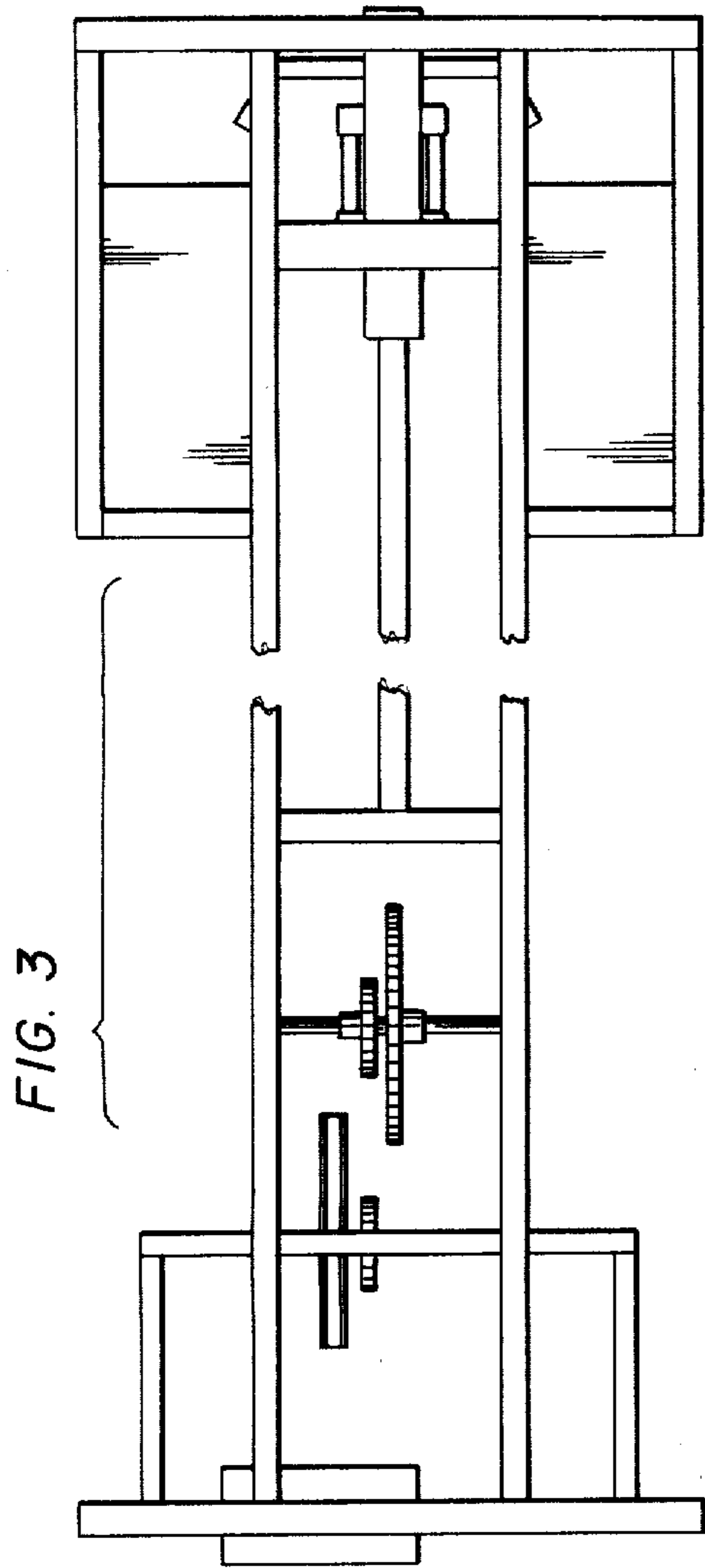


FIG. 6

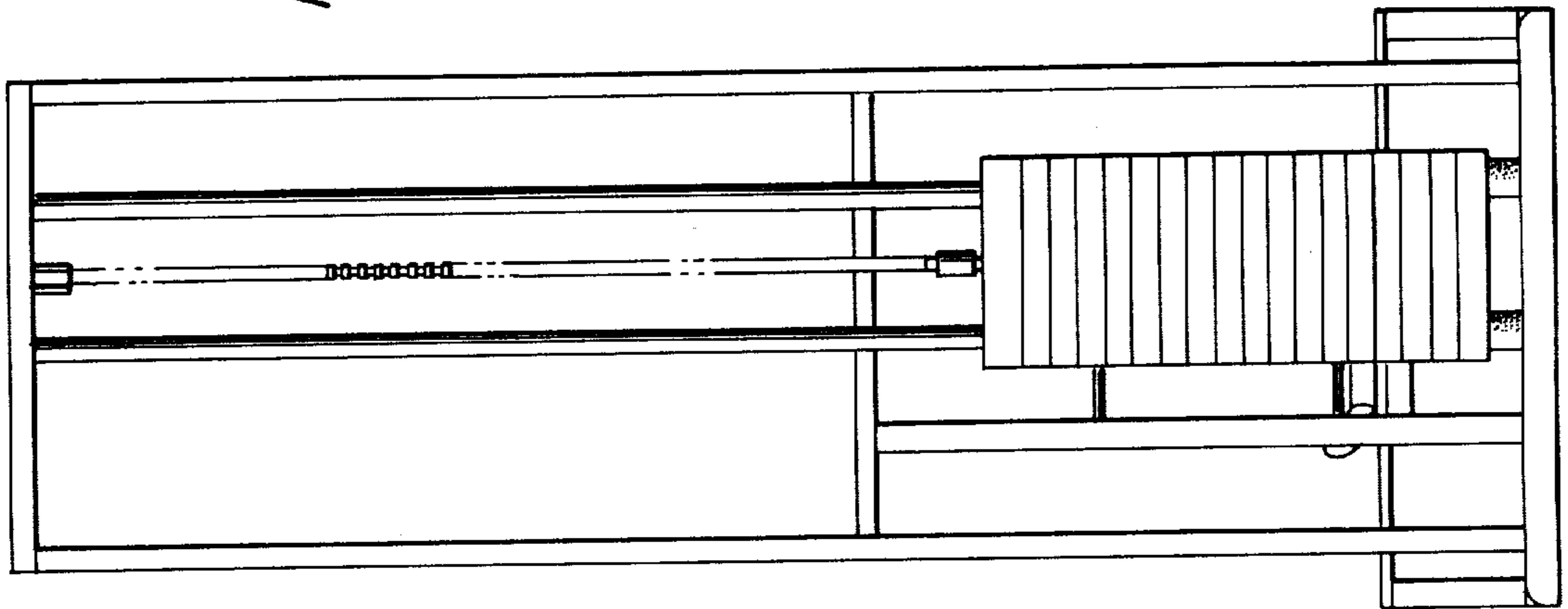


FIG. 5

