

[54] EXERCISE BOARD

[76] Inventor: Mathew V. Spisak, 27437 Ursuline,
St. Clair Shores, Mich. 48081

[**] Term: 14 Years

[21] Appl. No.: 133,301

[22] Filed: Mar. 24, 1980

[51] Int. Cl. D21-02

[52] U.S. Cl. D21/191

[58] Field of Search D21/191-199,
D21/235; 272/144, 109, 145; 5/431, 434, 436,
443, 448; D6/9

[56] References Cited

U.S. PATENT DOCUMENTS

33,385 10/1861 Frodsham et al. D6/201

D. 247,209 2/1978 Woog D6/201
4,210,322 7/1980 Pritchard 272/144

FOREIGN PATENT DOCUMENTS

2357267 5/1975 Fed. Rep. of Germany 5/447

Primary Examiner—Charles A. Rademaker
Attorney, Agent, or Firm—Basile, Weintraub & Hanlon

[57] CLAIM

The ornamental design for an exercise board, as shown.

DESCRIPTION

FIG. 1 is a side elevational view of an exercise board showing my new design;
FIG. 2 is a top plan view thereof;
FIG. 3 is a left-end elevational view thereof;
FIG. 4 is a right-end elevational view thereof;
FIG. 5 is a bottom plan view thereof; and
FIG. 6 is a side perspective view thereof.

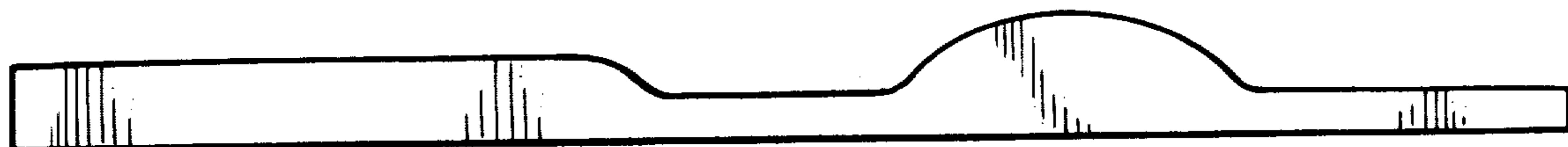




Fig-1

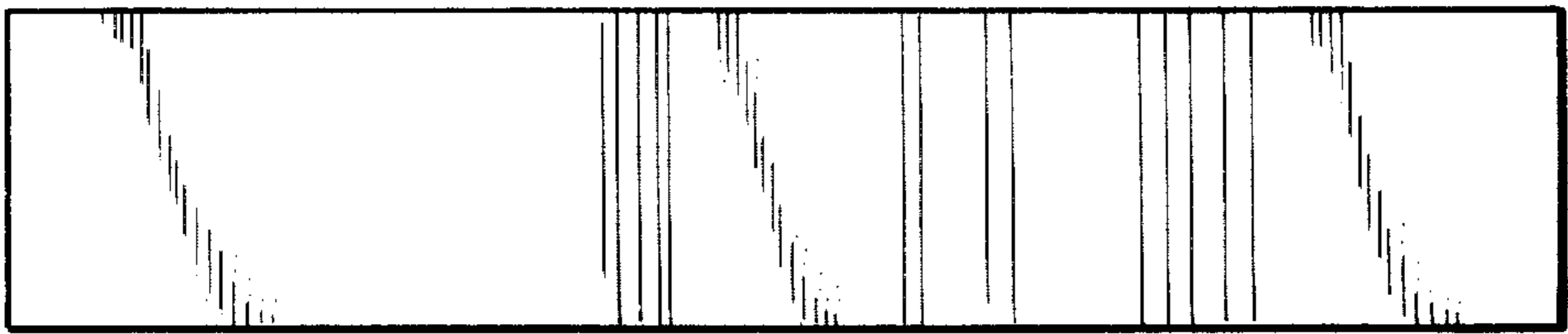


Fig-2

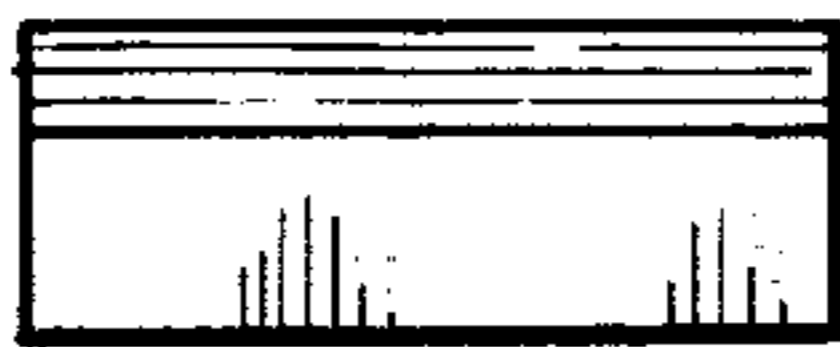


Fig-3

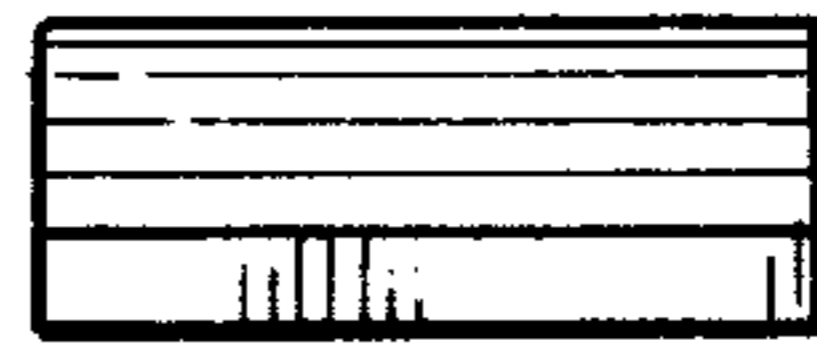


Fig-4

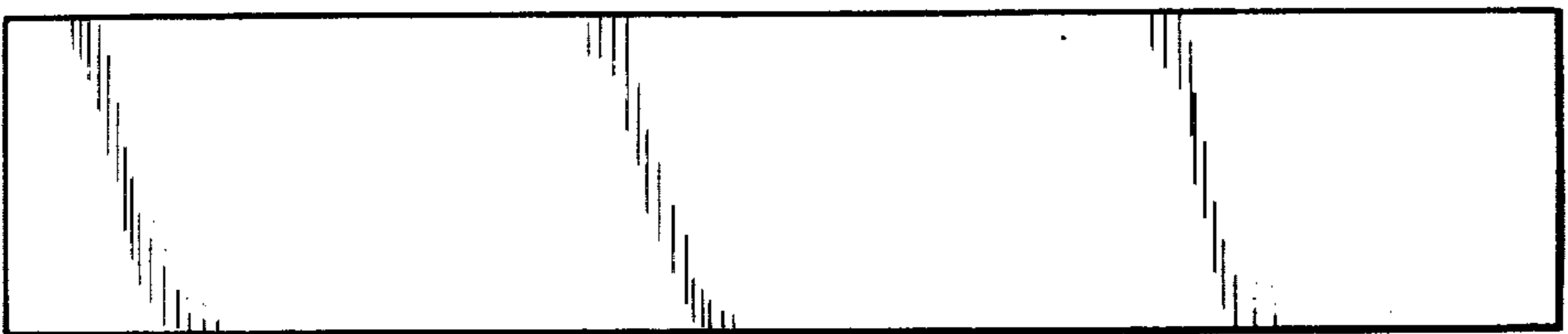


Fig-5

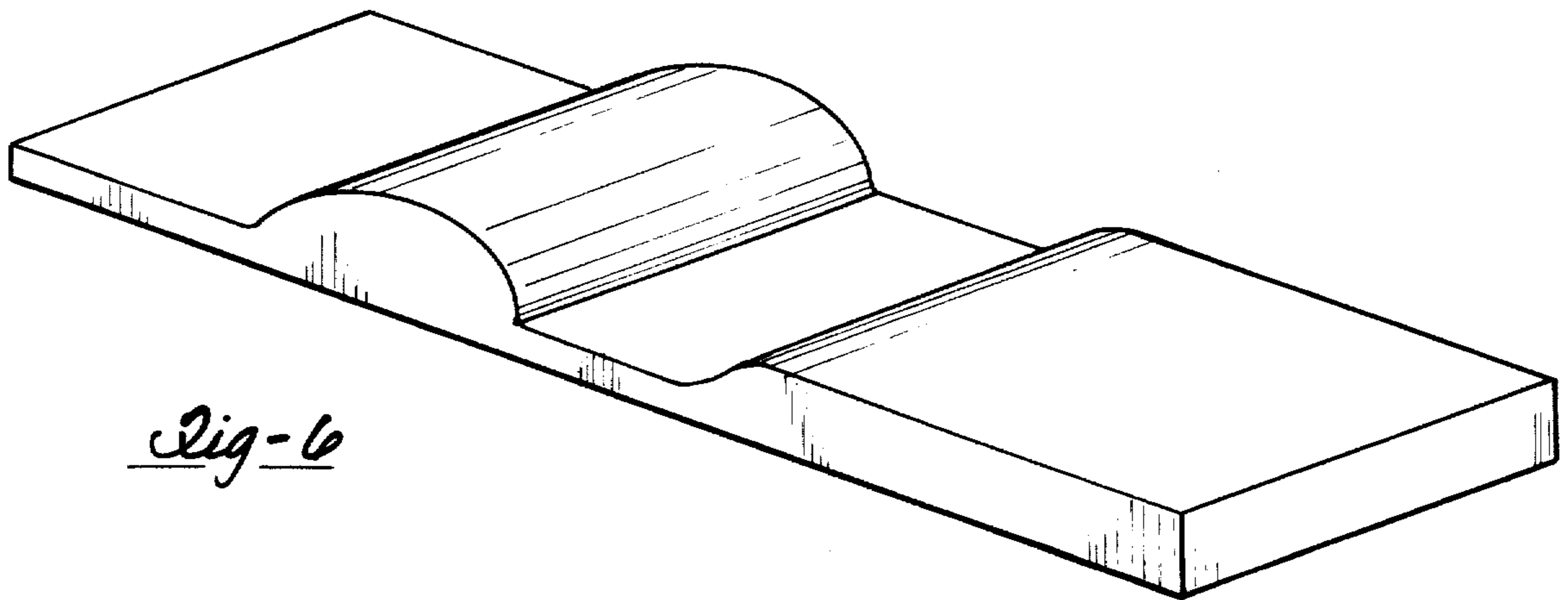


Fig-6