

[54] TOY TRUCK BODY

[75] Inventor: Kenneth R. Wilkes, East Aurora, N.Y.

[73] Assignee: The Quaker Oats Company, Chicago, Ill.

[**] Term: 14 Years

[21] Appl. No.: 114,276

[22] Filed: Jan. 22, 1980

[51] Int. Cl. D21-01

[52] U.S. Cl. D21/141

[58] Field of Search D21/76, 78, 79, 128, D21/132, 134, 135, 136, 141; 46/201-204, 206, 210, 214, 221, 222, 223; D12/98, 156

[56] References Cited

U.S. PATENT DOCUMENTS

- D. 120,666 5/1940 Edwards D12/98
- D. 223,021 2/1972 Broyhill D12/98

D. 230,841 3/1974 Bowles D12/98

FOREIGN PATENT DOCUMENTS

15370 11/1955 Fed. Rep. of Germany 46/201

OTHER PUBLICATIONS

Wards Cat. 8-1937, p. 536, item #448.B-1799 Wagon.

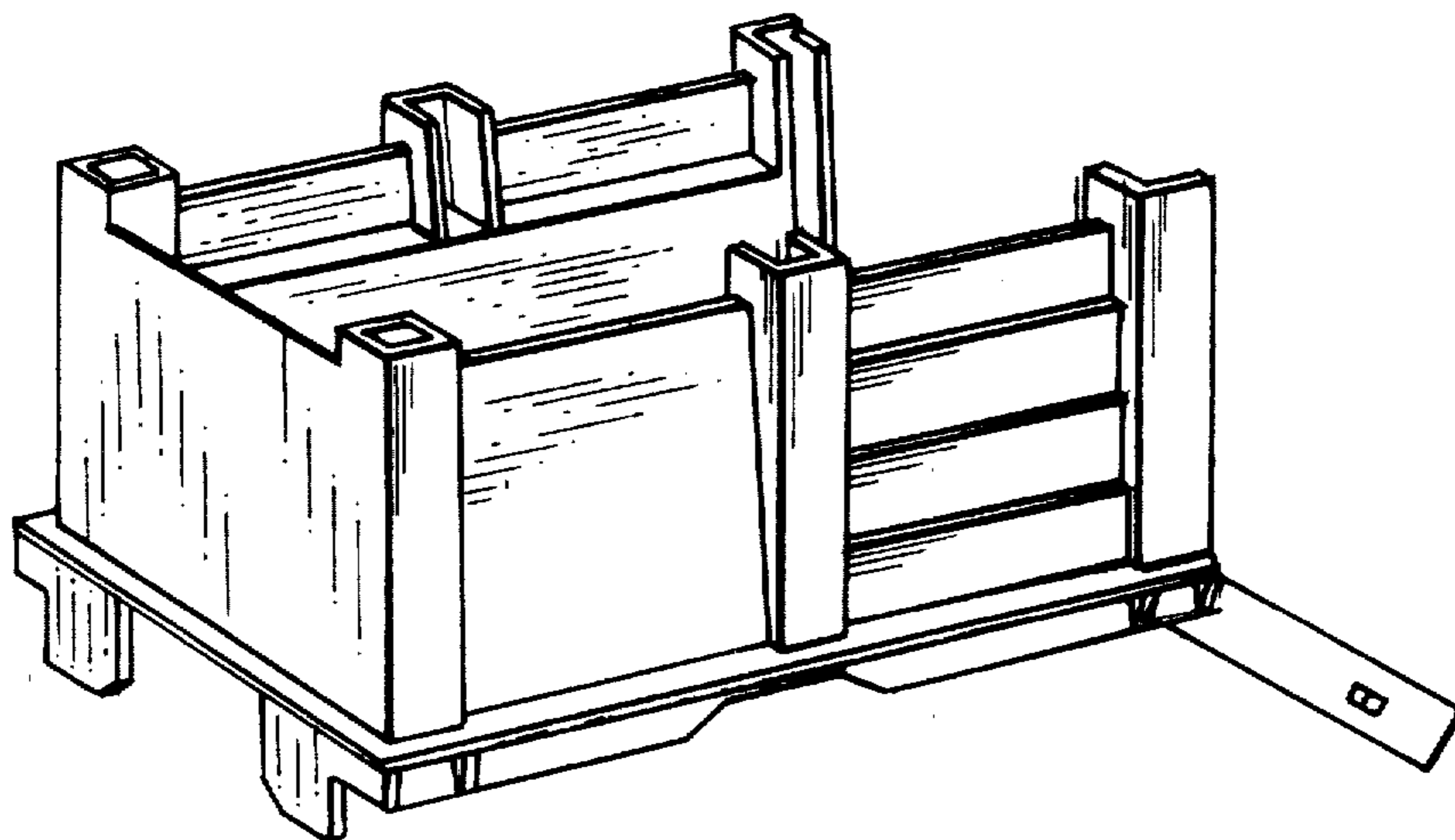
Primary Examiner—Charles A. Rademaker
Attorney, Agent, or Firm—Cumpston & Shaw

[57] CLAIM

The ornamental design for a toy truck body, substantially as shown and described.

DESCRIPTION

FIG. 1 is a perspective view of a toy truck body showing my new design with a portion in lowered position; FIG. 2 is a left-side elevational view thereof, the right side being substantially a mirror image; FIG. 3 is a rear elevational view thereof; FIG. 4 is a top plan view thereof; and FIG. 5 is a front elevational view thereof.



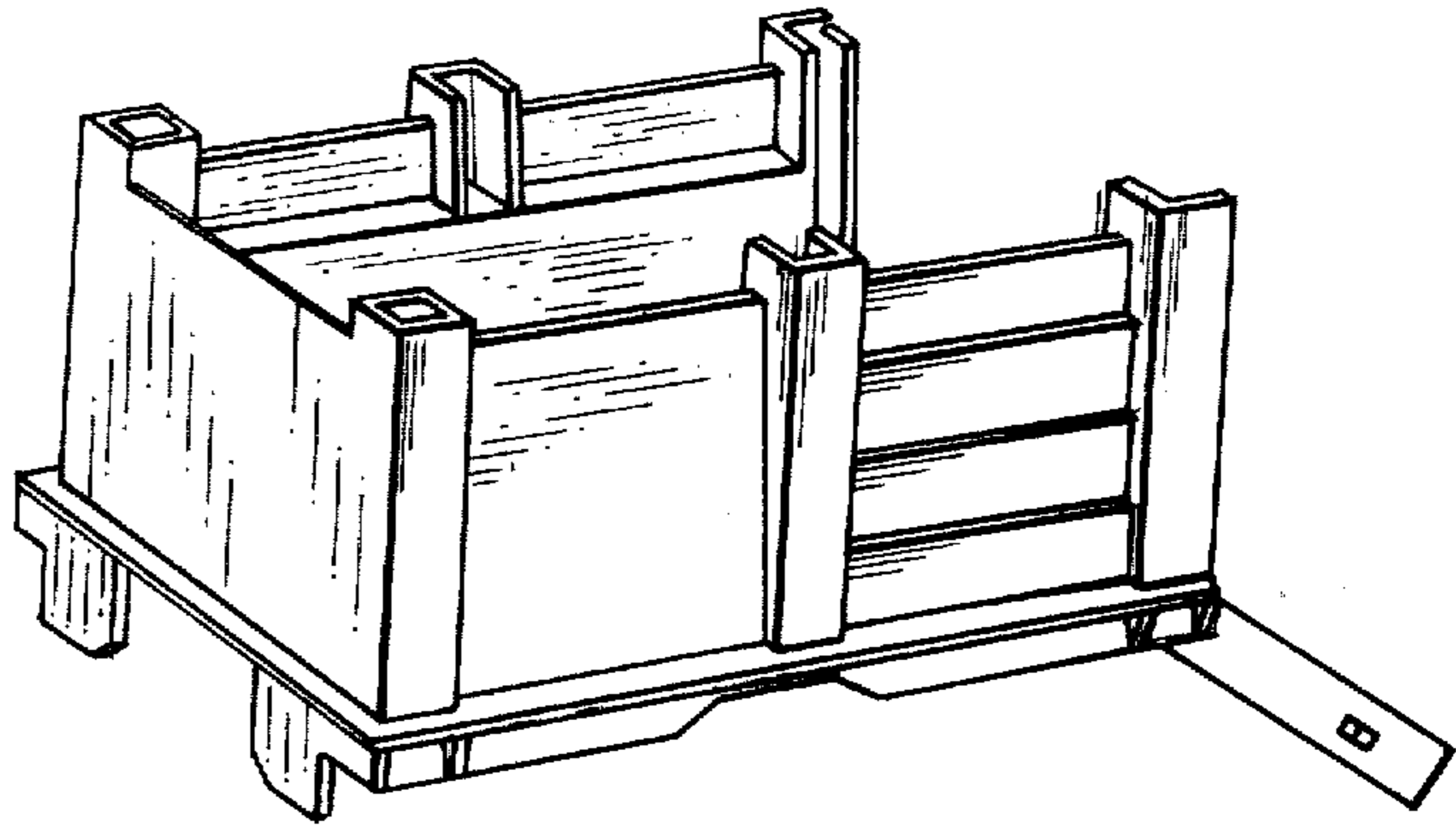


FIG. 1

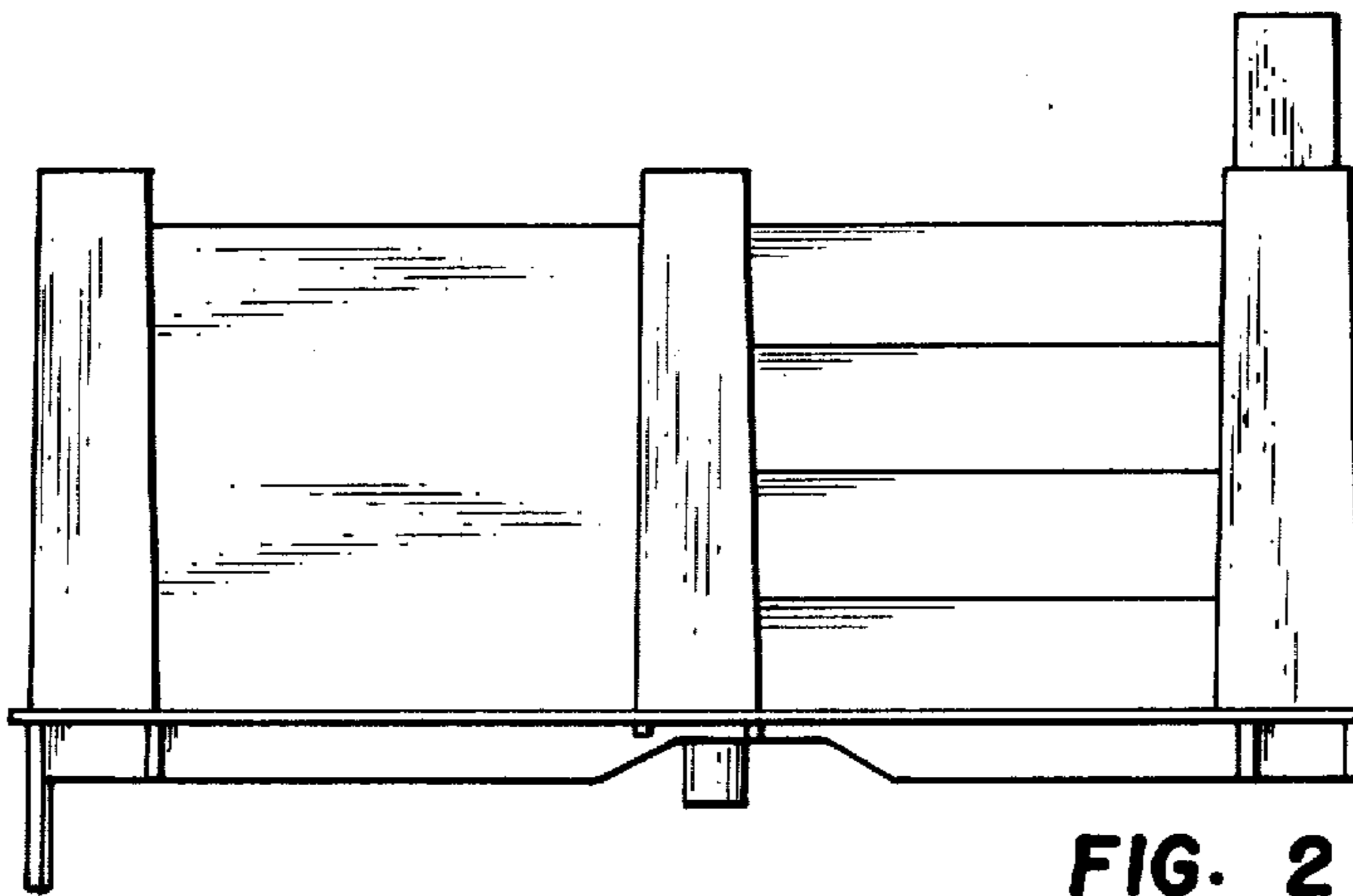


FIG. 2

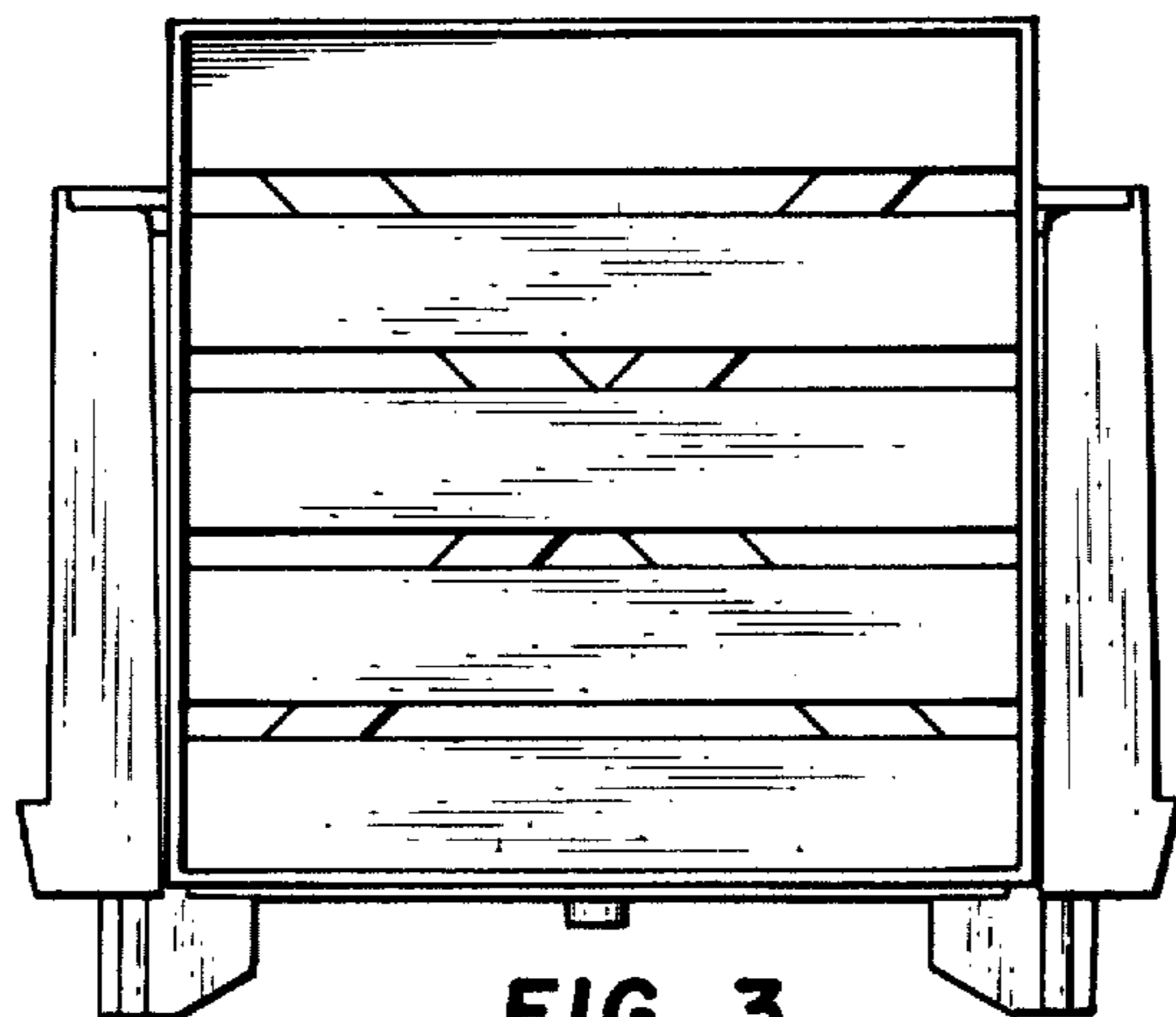


FIG. 3

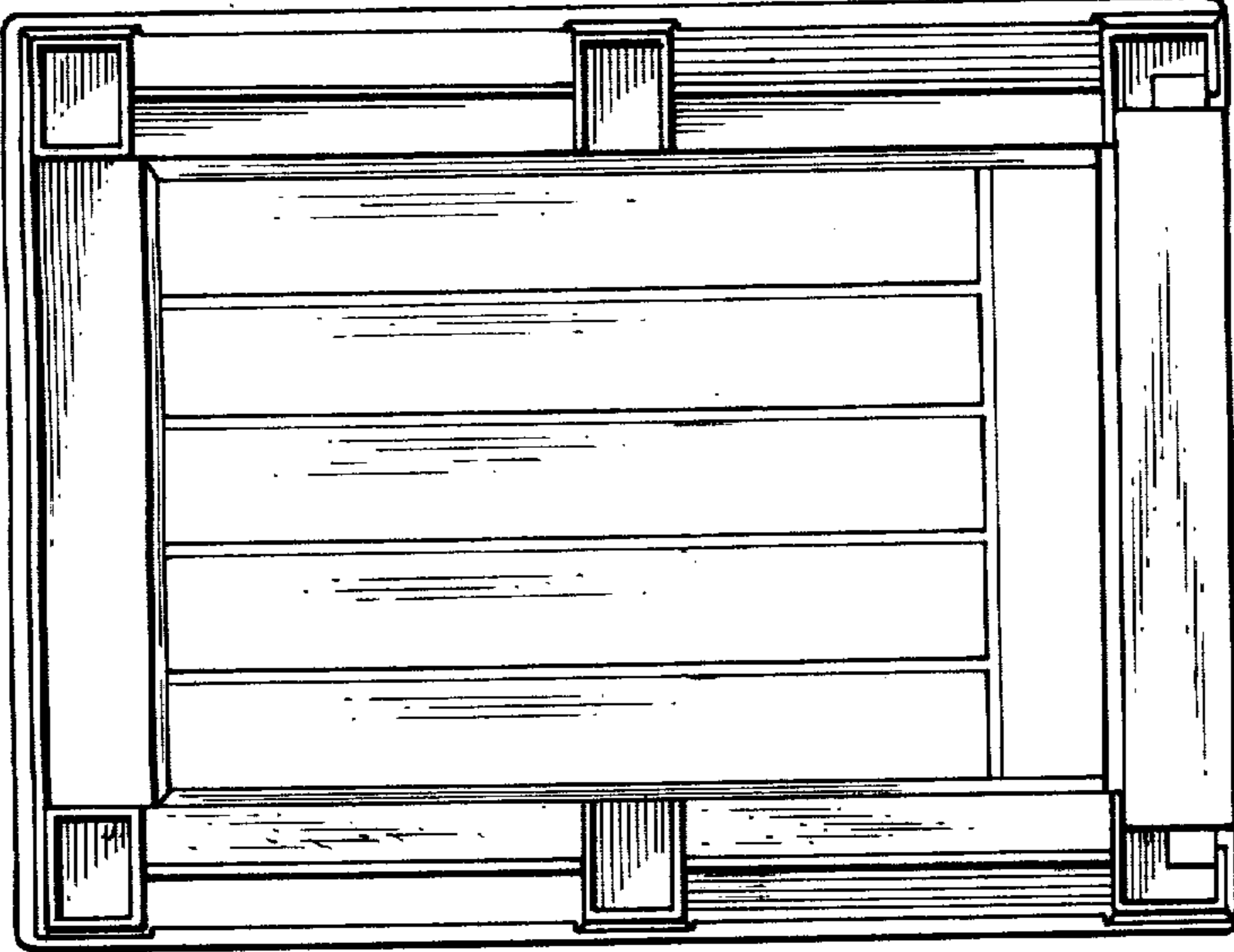


FIG. 4

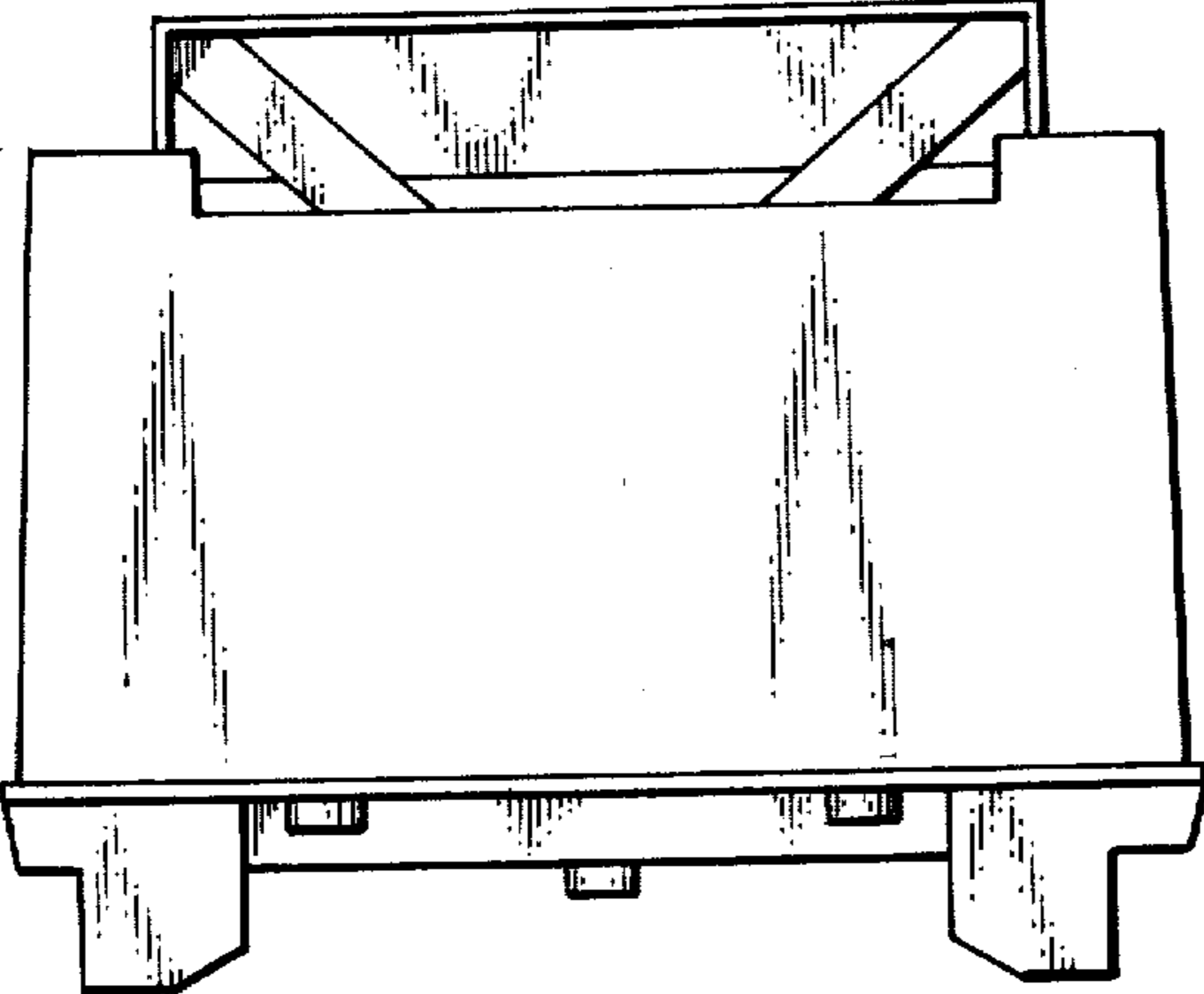


FIG. 5