

[54] TOY SAW

3,873,862 3/1975 Butler D8/66

[75] Inventor: John R. Wildman, North Riverside, Ill.

OTHER PUBLICATIONS

Popular Science, 11-1973, p. 11, #7320, Saw.

[73] Assignee: Marvin Glass & Associates, Chicago, Ill.

Primary Examiner—Charles A. Rademaker
Attorney, Agent, or Firm—Mason, Kolehmainen,
Rathburn & Wyss

[**] Term: 14 Years

[21] Appl. No.: 71,172

[57] CLAIM

The ornamental design for a toy saw, as shown and described.

[22] Filed: Aug. 31, 1979

[51] Int. Cl. D21-01

DESCRIPTION

[52] U.S. Cl. D21/120

[58] Field of Search D8/66; D21/121, 120,
D21/109; 46/1 L, 1 R, 39, 177

FIG. 1 is a perspective view of a toy saw showing my new design;

FIG. 2 is a top plan view thereof;

FIG. 3 is a bottom plan view thereof;

FIG. 4 is a right side elevational view thereof;

FIG. 5 is a left side elevational view thereof;

FIG. 6 is a rear elevational view thereof; and

FIG. 7 is a front elevational view thereof.

[56] References Cited

U.S. PATENT DOCUMENTS

- D. 177,558 5/1956 Dolan D8/66
- D. 180,181 4/1957 Ernest D8/66
- D. 258,161 2/1981 Klawitter D21/120

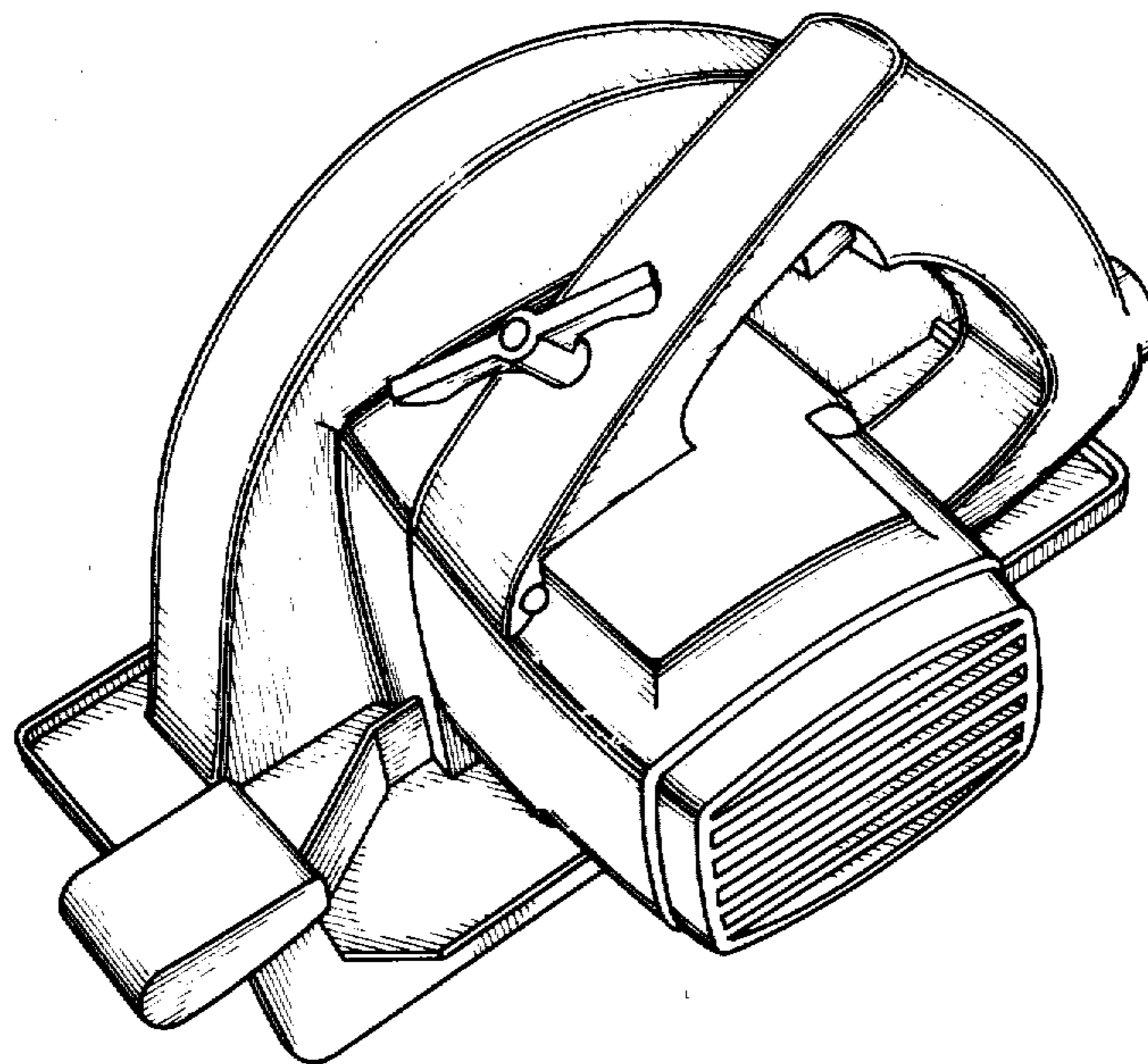


Fig 1

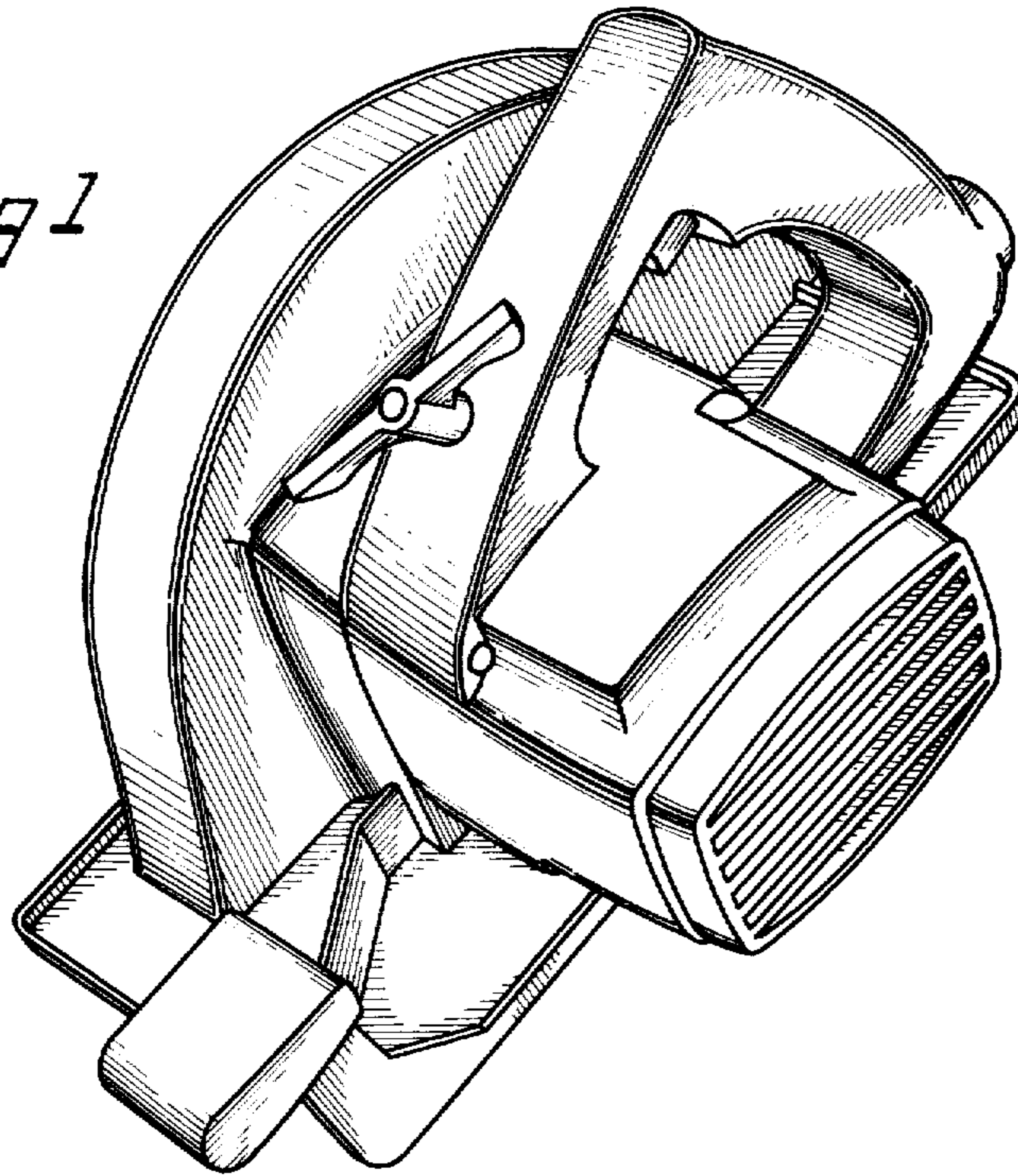


Fig 2

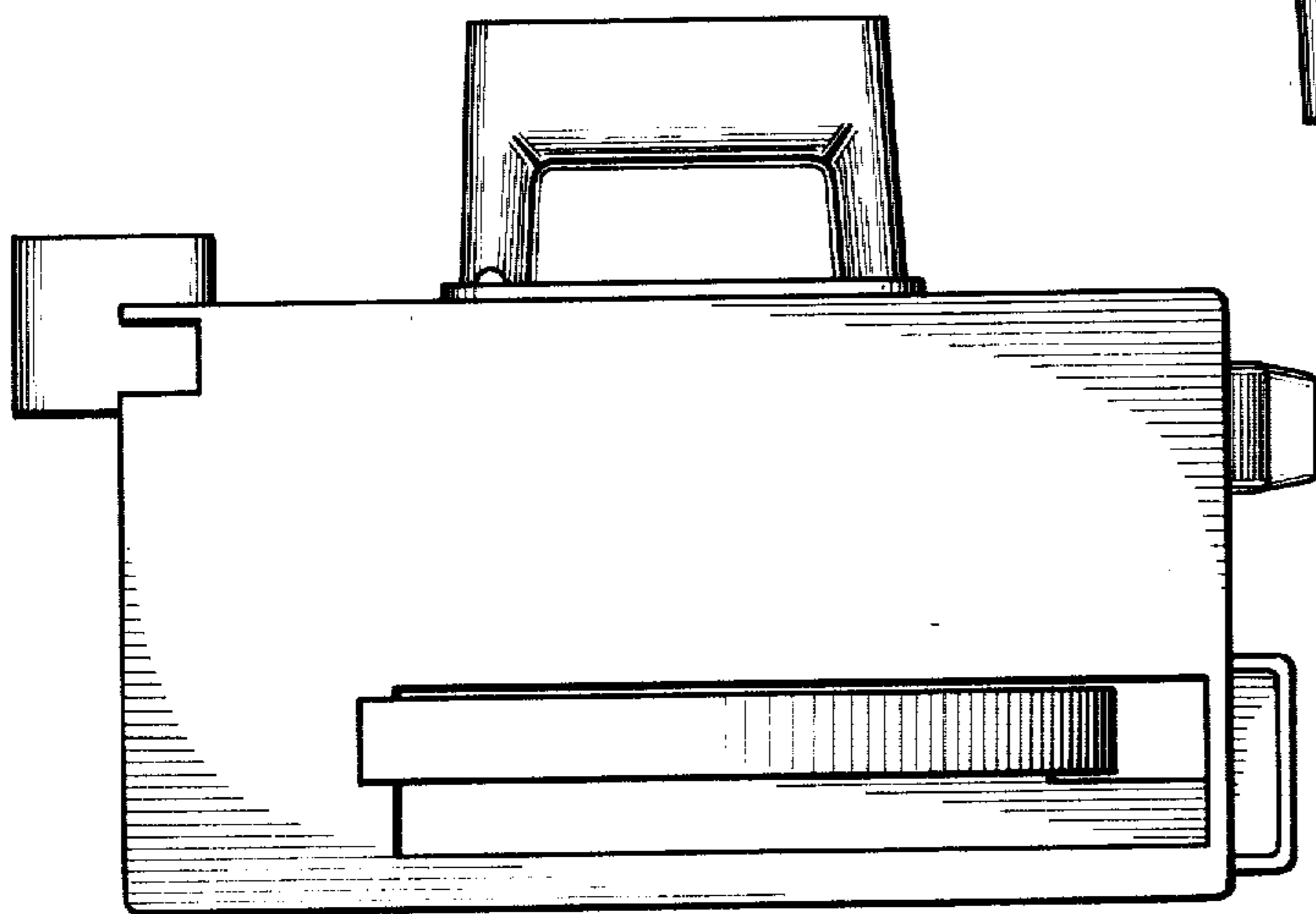
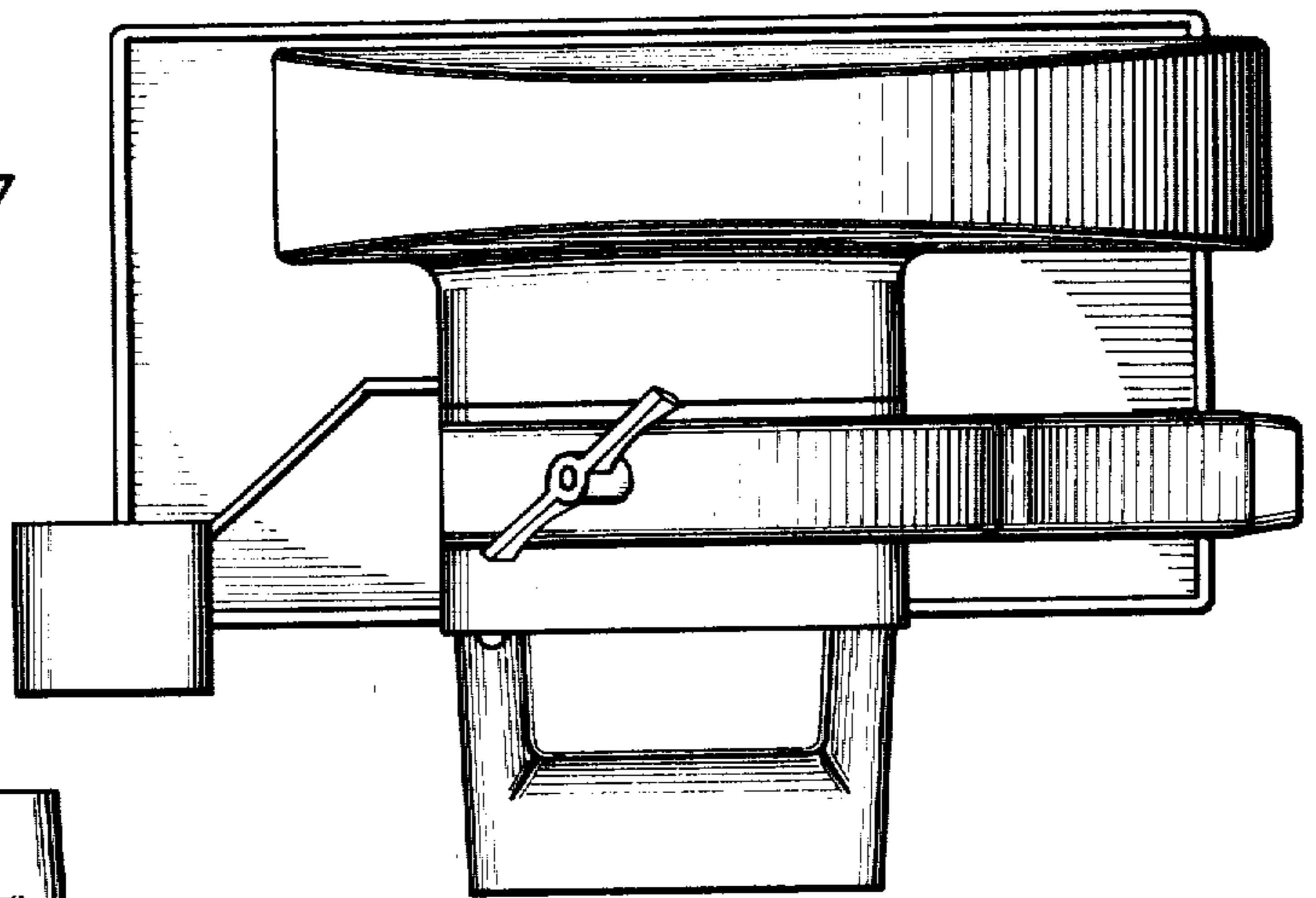


Fig 3

Fig 4

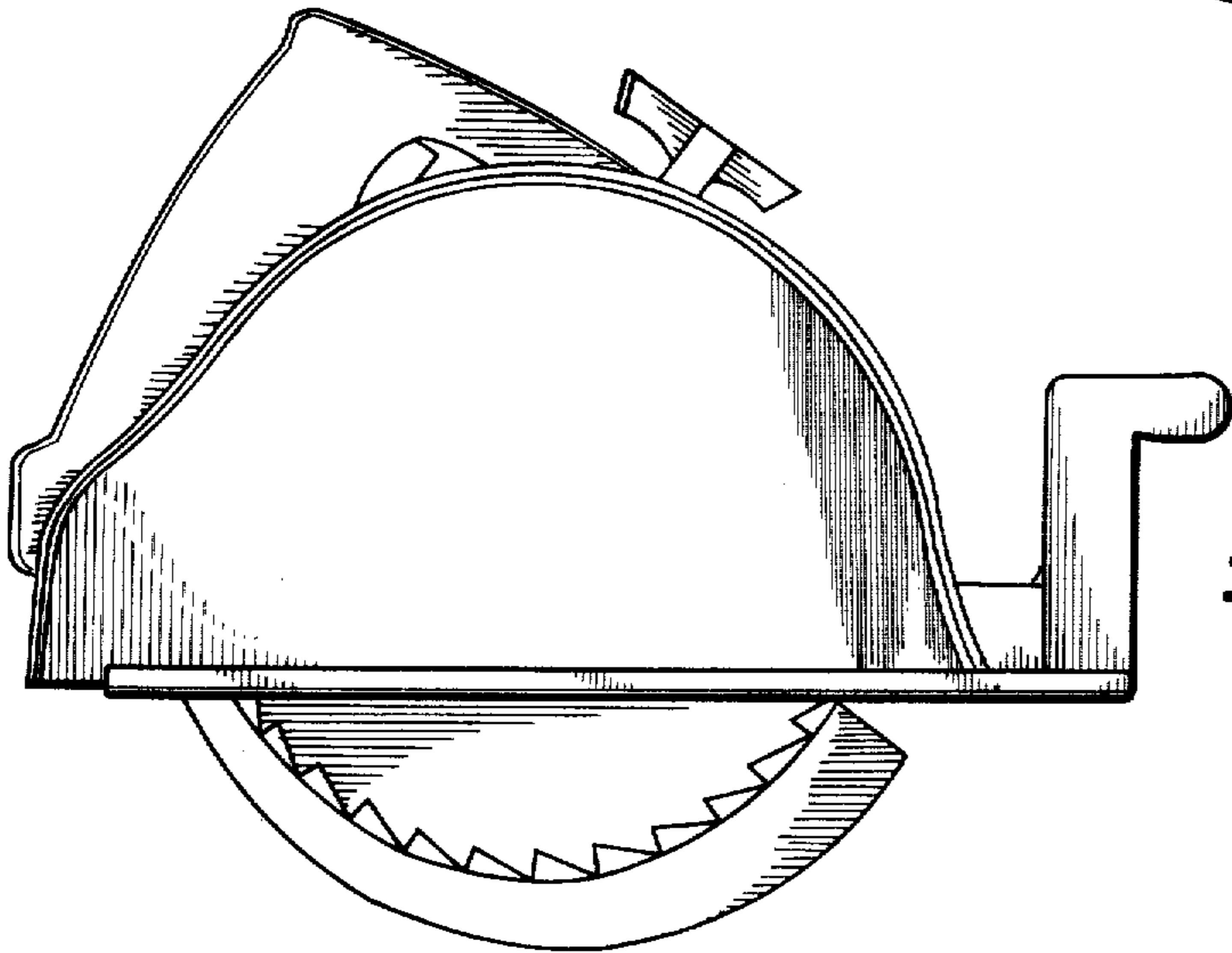
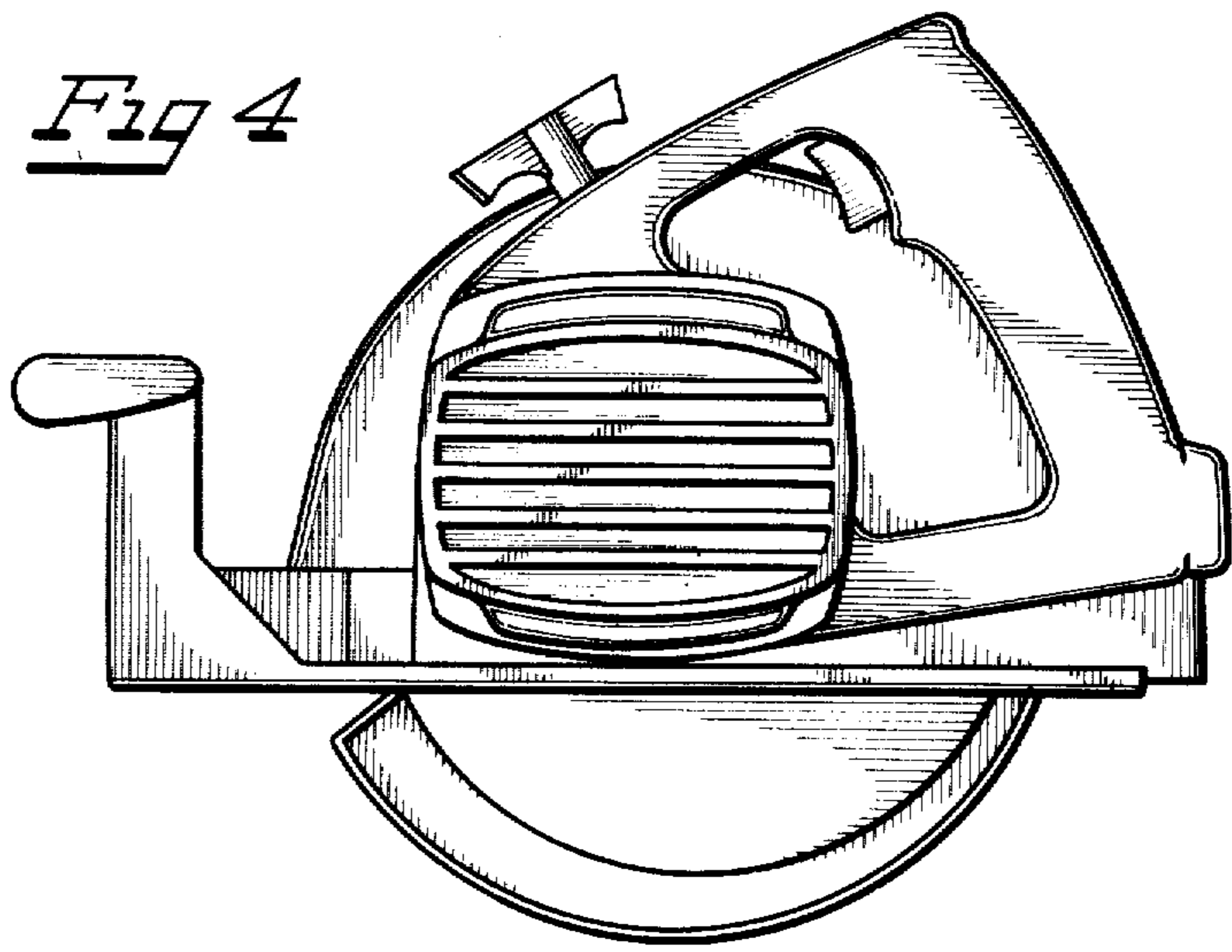


Fig 5

Fig 6

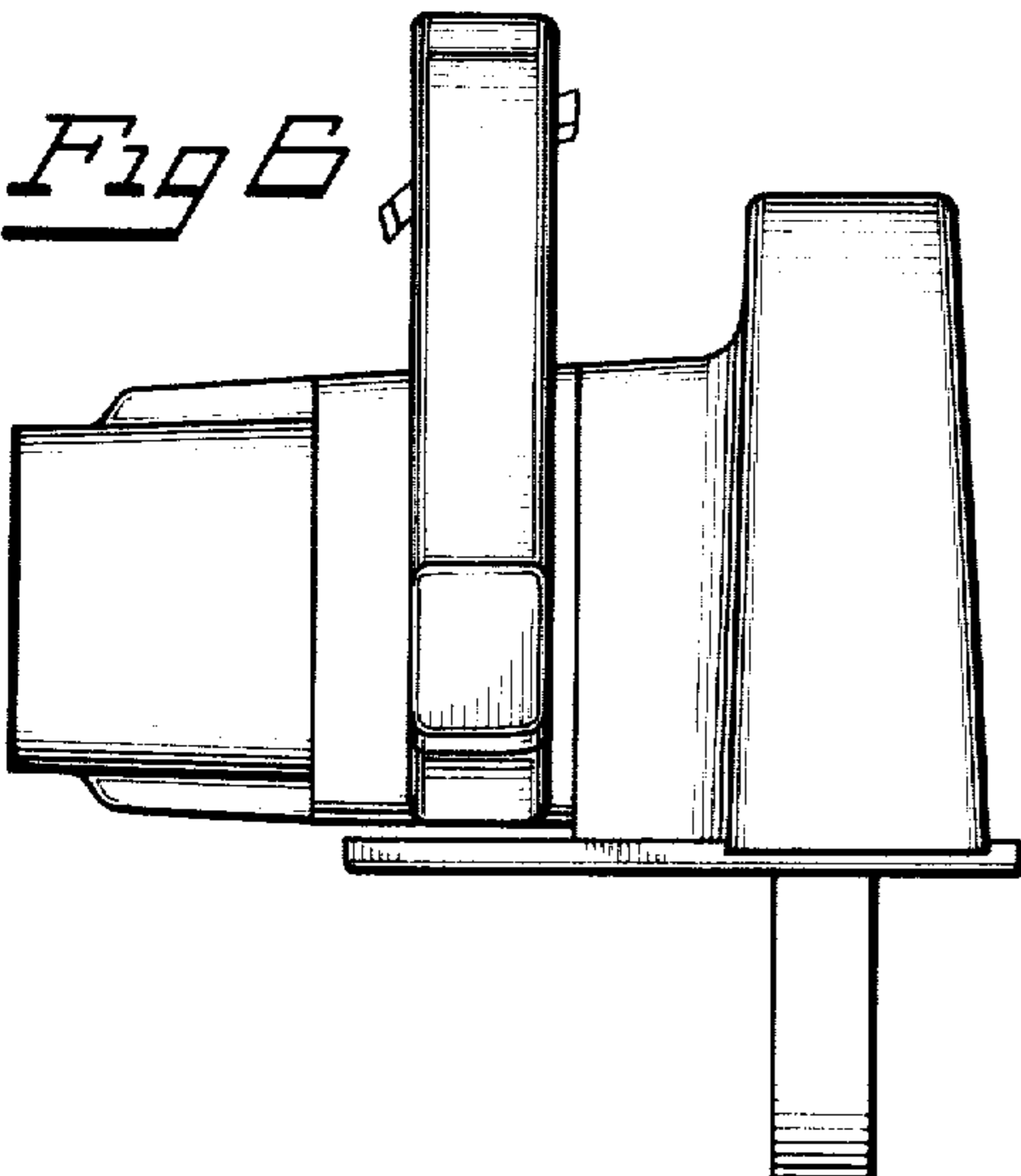


Fig 7

