

[54] TOY SPACE VEHICLE

[75] Inventors: George W. Lucas, Jr., San Anselmo; Ralph McQuarrie, Berkeley; Joseph E. Johnston, Fairfax, all of Calif.

[73] Assignee: Lucasfilm, Ltd., San Rafael, Calif.

[**] Term: 14 Years

[21] Appl. No.: 141,593

[22] Filed: Apr. 18, 1980

[51] Int. Cl. D21-01

[52] U.S. Cl. D21/87

[58] Field of Search D21/86, 87, 88, 89; 46/74 R, 74 A, 74 B, 74 C, 74 D, 79, 80, 81; D12/320

[56] References Cited

U.S. PATENT DOCUMENTS

- D. 201,772 7/1965 Cohen et al. D12/320
- D. 220,983 6/1971 Webb et al. D12/320

- D. 254,080 1/1980 Johnston et al. D21/87
- D. 259,889 7/1981 Probert D21/87

OTHER PUBLICATIONS

Playthings, 2-1980, p. 1, Spaceship at top left corner of page.

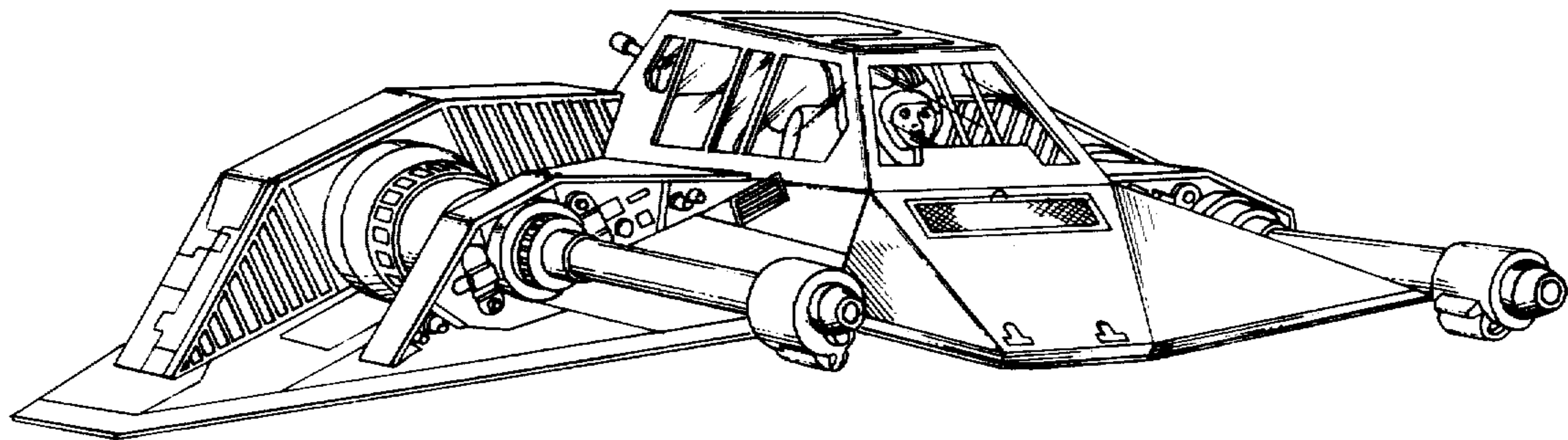
Primary Examiner—Charles A. Rademaker
Attorney, Agent, or Firm—Townsend and Townsend

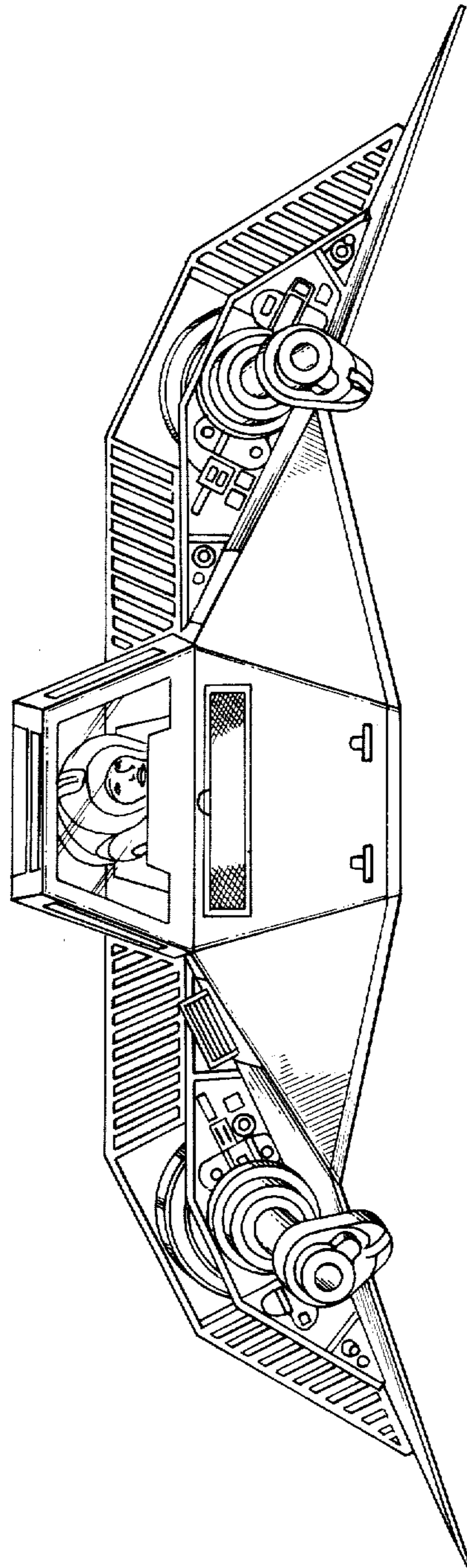
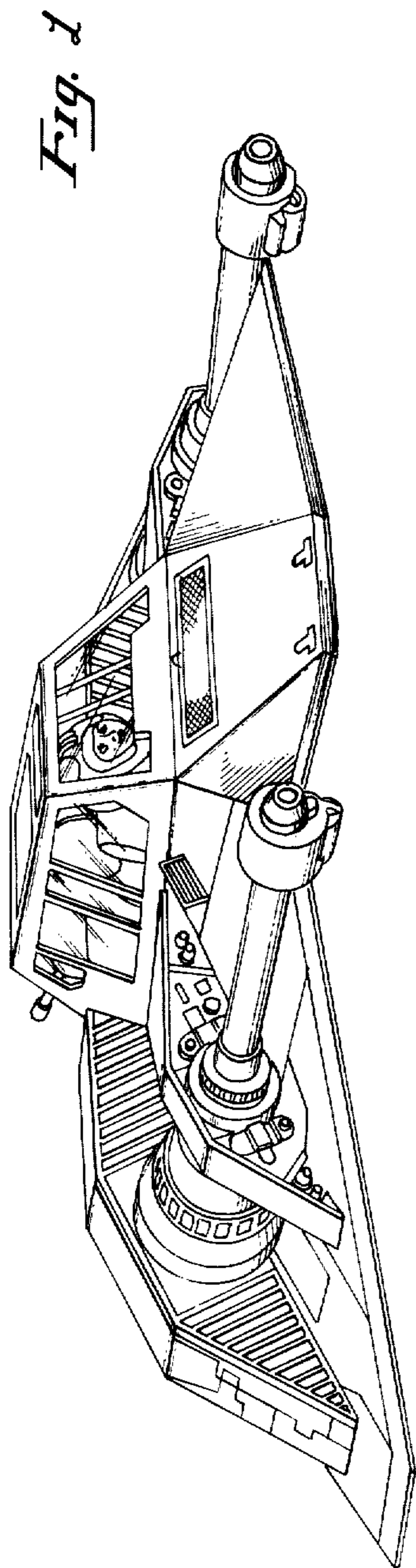
[57] CLAIM

The ornamental design for a toy space vehicle, substantially as shown and described.

DESCRIPTION

FIG. 1 is a side perspective view of a toy space vehicle showing our new design; FIG. 2 is a front perspective view thereof; FIG. 3 is a top plan view thereof; FIG. 4 is a bottom plan view thereof; FIG. 5 is a right side elevational view thereof, the side opposite being substantially a mirror image; and FIG. 6 is a rear elevational view thereof.





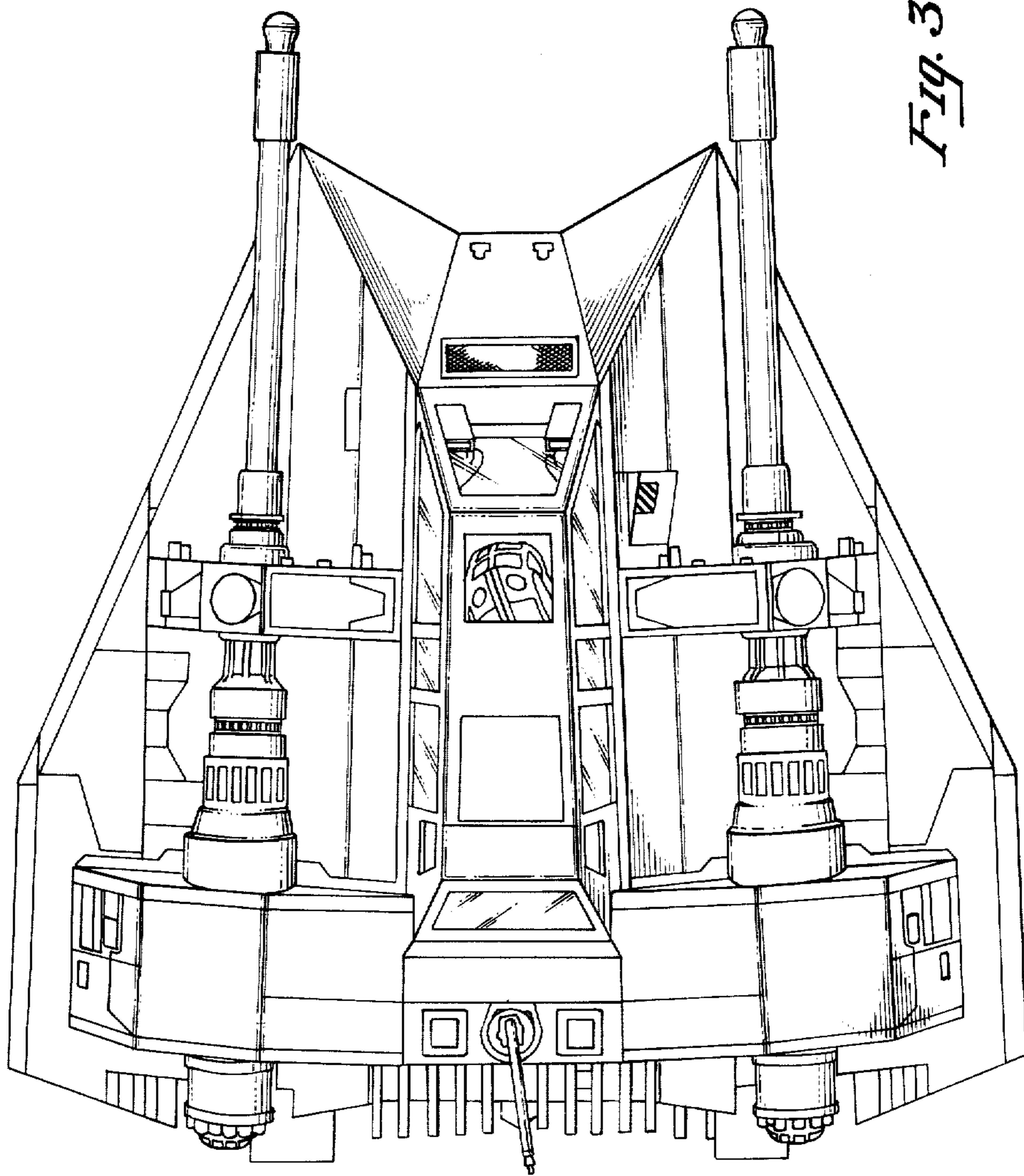


Fig. 3

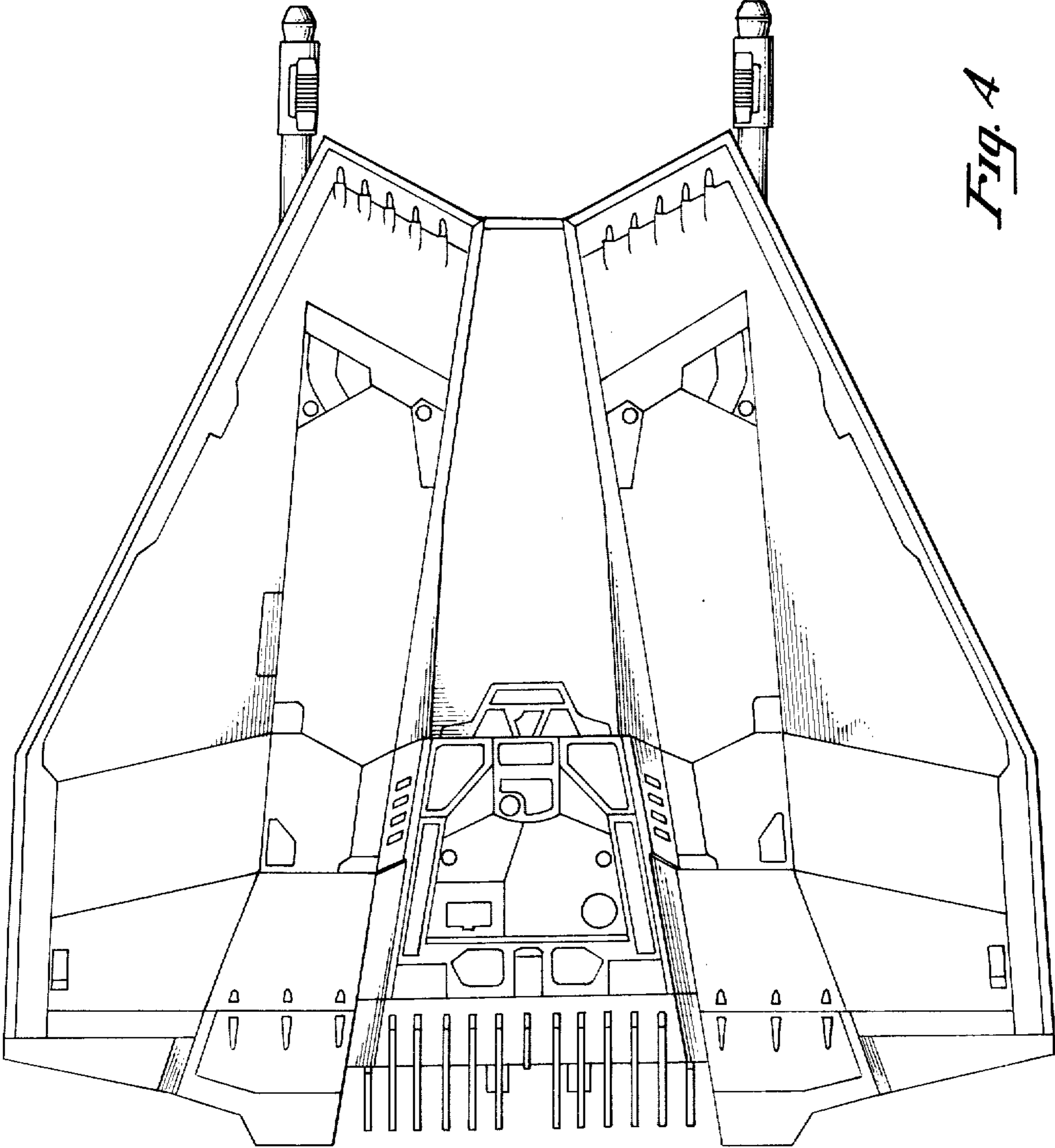


Fig. 4

Fig. 5

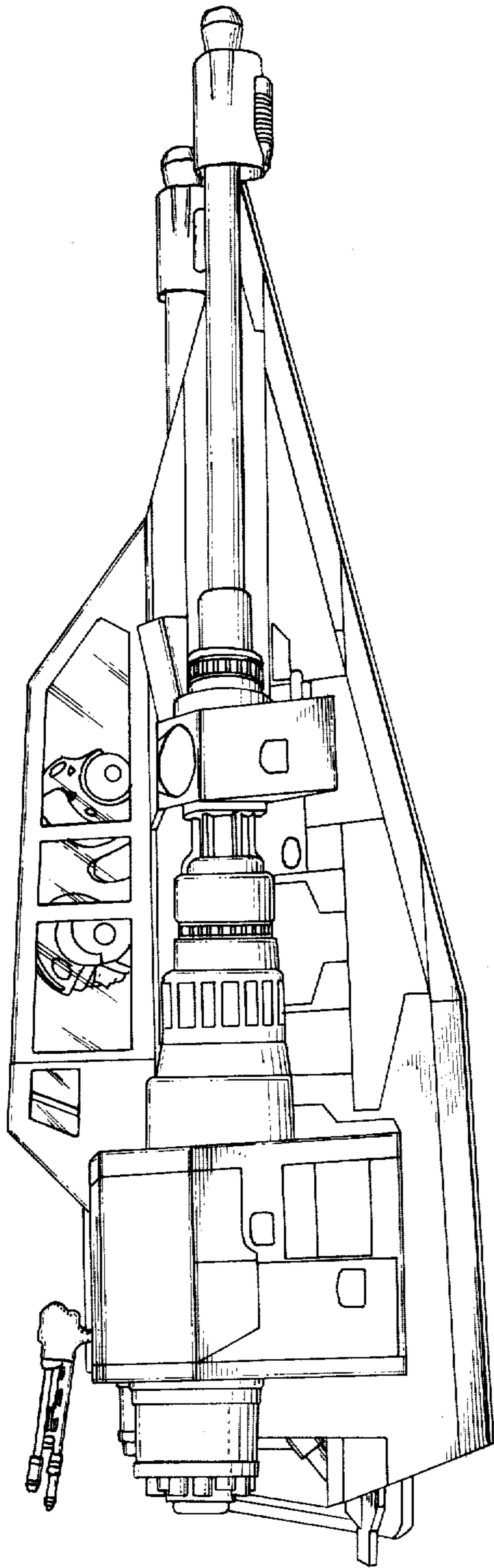


Fig. 6

