

[54] RIDING TOY

[76] Inventor: Thomas S. Brazier, 5972 Kenwick Cir., Huntington Beach, Calif. 92648

[**] Term: 14 Years

[21] Appl. No.: 183,411

[22] Filed: Sep. 2, 1980

[51] Int. Cl. D21-01

[52] U.S. Cl. D21/71

[58] Field of Search 280/267, 218, 265, 87.01, 280/87.02 W; D21/71, 76

[56]

References Cited

U.S. PATENT DOCUMENTS

D. 163,401 5/1951 McGuire et al. D21/71

D. 215,861 11/1969 Cook D21/71
1,572,273 2/1926 Elton 280/87.02 W
3,425,709 2/1969 Fields 280/87.02 W

Primary Examiner—Charles A. Rademaker
Attorney, Agent, or Firm—Wm. Jacquet Gribble

[57] CLAIM

The ornamental design for a riding toy, as shown and described.

DESCRIPTION

FIG. 1 is a top plan view of a riding toy showing my new design;
FIG. 2 is a right side elevational view thereof, the side opposite being substantially a mirror image;
FIG. 3 is a front elevational view thereof;
FIG. 4 is a rear elevational view thereof; and
FIG. 5 is a bottom plan view thereof.

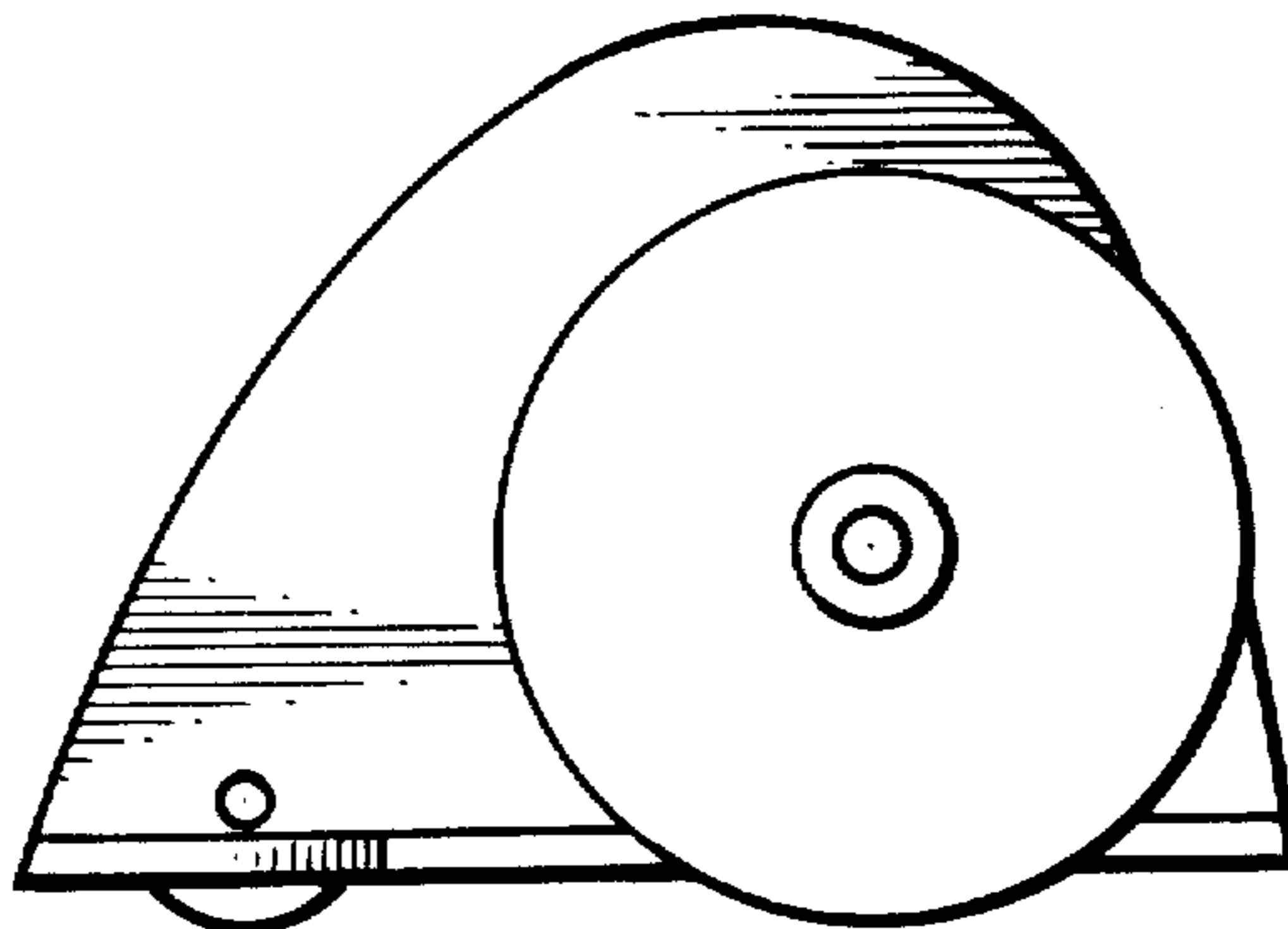


Fig. 1.

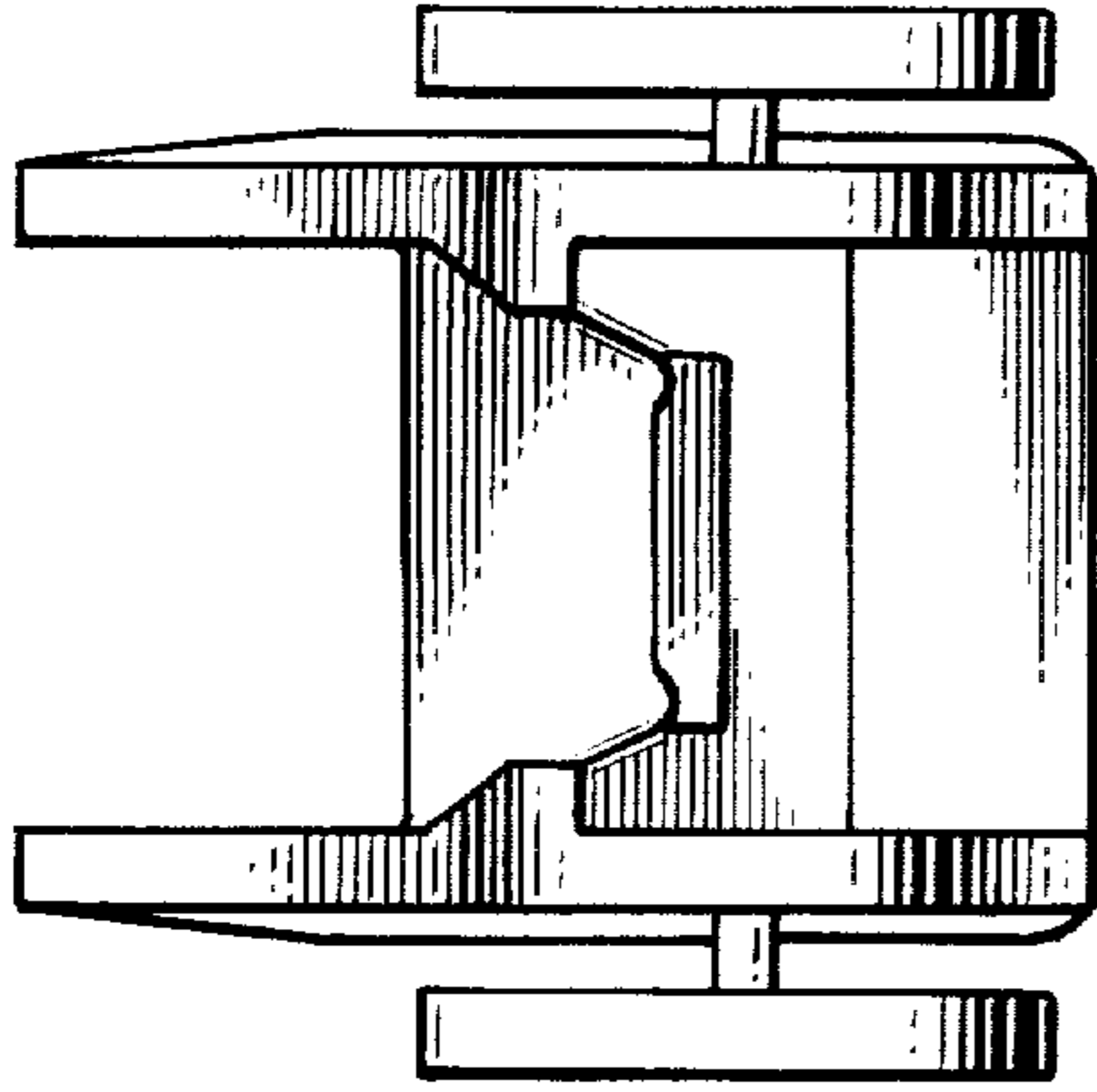


Fig. 2.

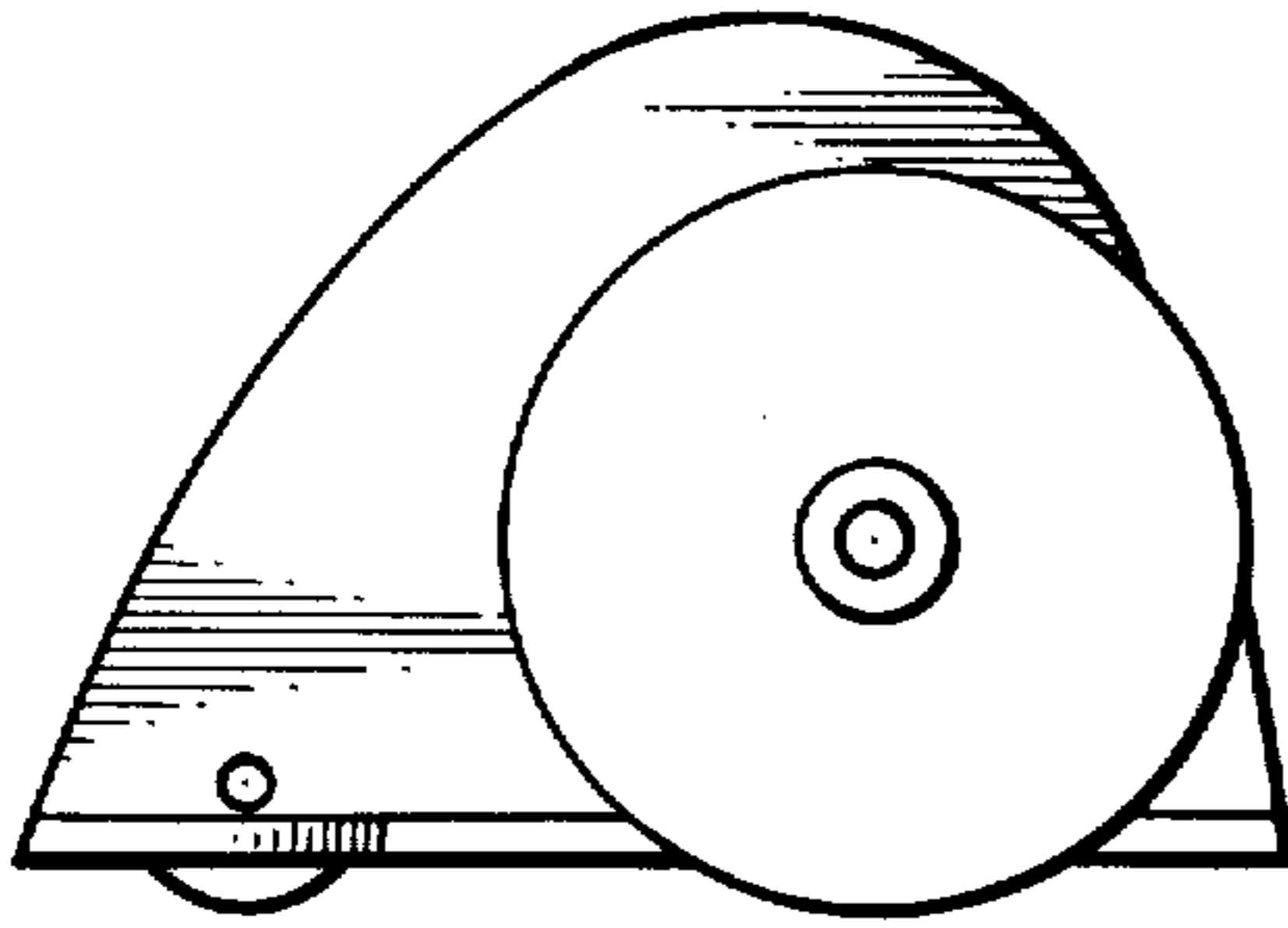


Fig. 3.

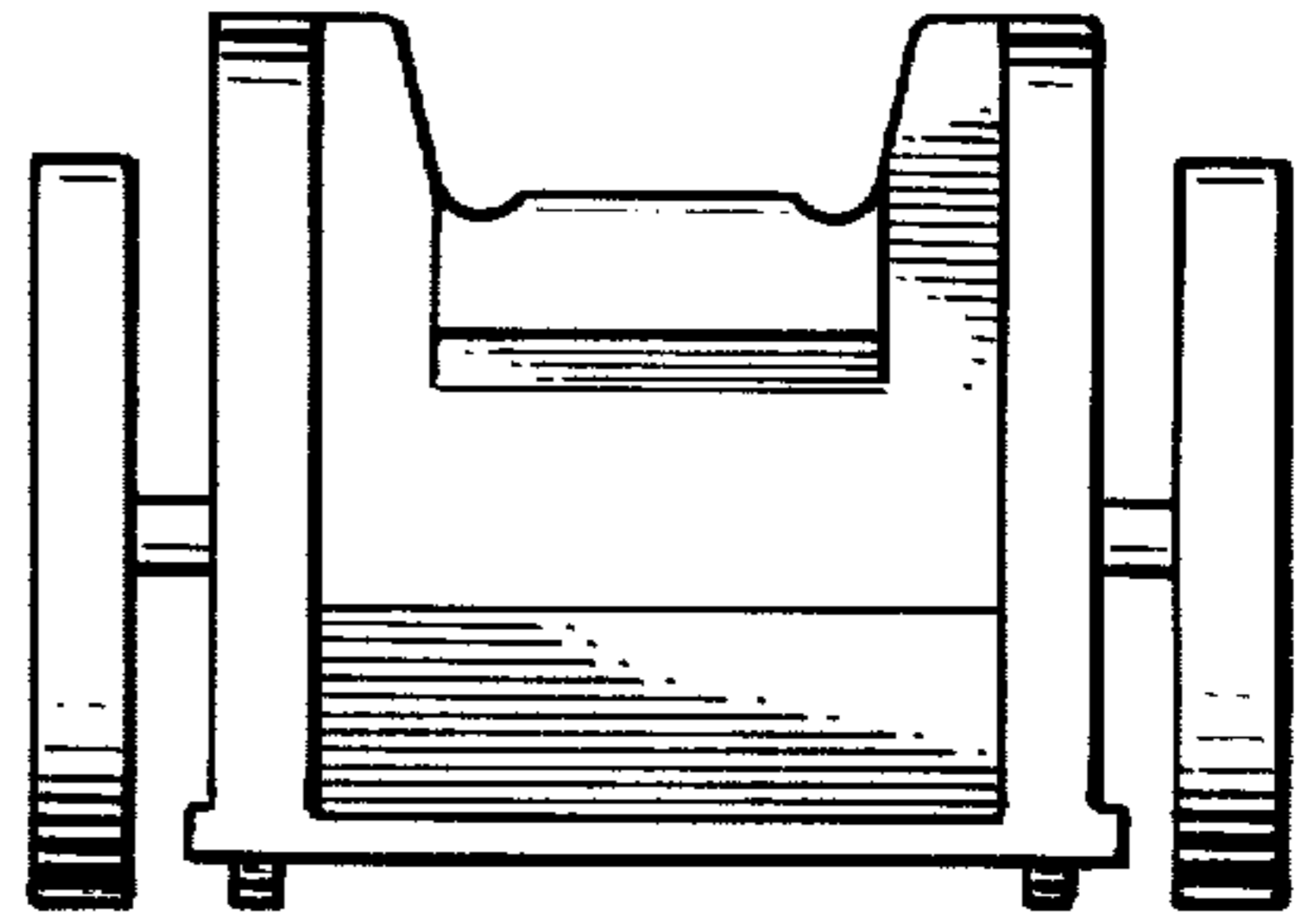


Fig. 4.

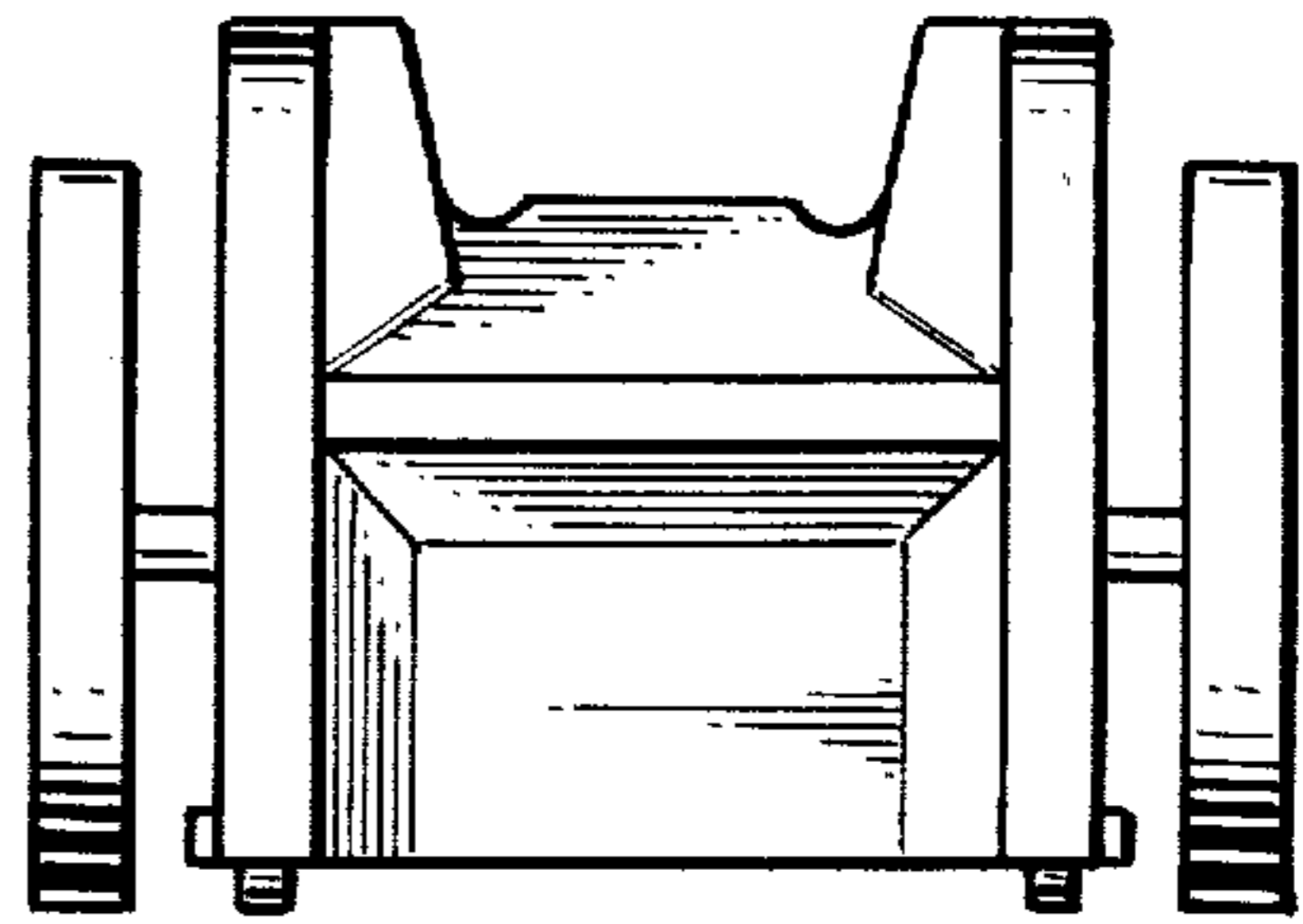


Fig. 5.

