

[54] HAND OPERATED LABELING MACHINE

[75] Inventor: Yo Sato, Tokyo, Japan

[73] Assignee: Kabushiki Kaisha Sato Kenkyusho, Japan

[\*\*] Term: 14 Years

[21] Appl. No.: 157,044

[22] Filed: Jun. 6, 1980

[51] Int. Cl. .... D18-99

[52] U.S. Cl. .... D18/19

[58] Field of Search ..... D18/19, 15; 156/384, 156/DIG. 48, DIG. 49; 101/291, 292

[56] References Cited

U.S. PATENT DOCUMENTS

- D. 247,389 2/1978 Sato ..... D18/19
- D. 247,390 2/1978 Sato ..... D18/19
- D. 250,060 10/1978 Sato ..... D18/19

- D. 252,518 7/1979 Sato ..... D18/19
- D. 253,240 10/1979 Sato ..... D18/19
- D. 253,241 10/1979 Sato ..... D18/19
- D. 253,242 10/1979 Sato ..... D18/19
- D. 253,243 10/1979 Sato ..... D18/19

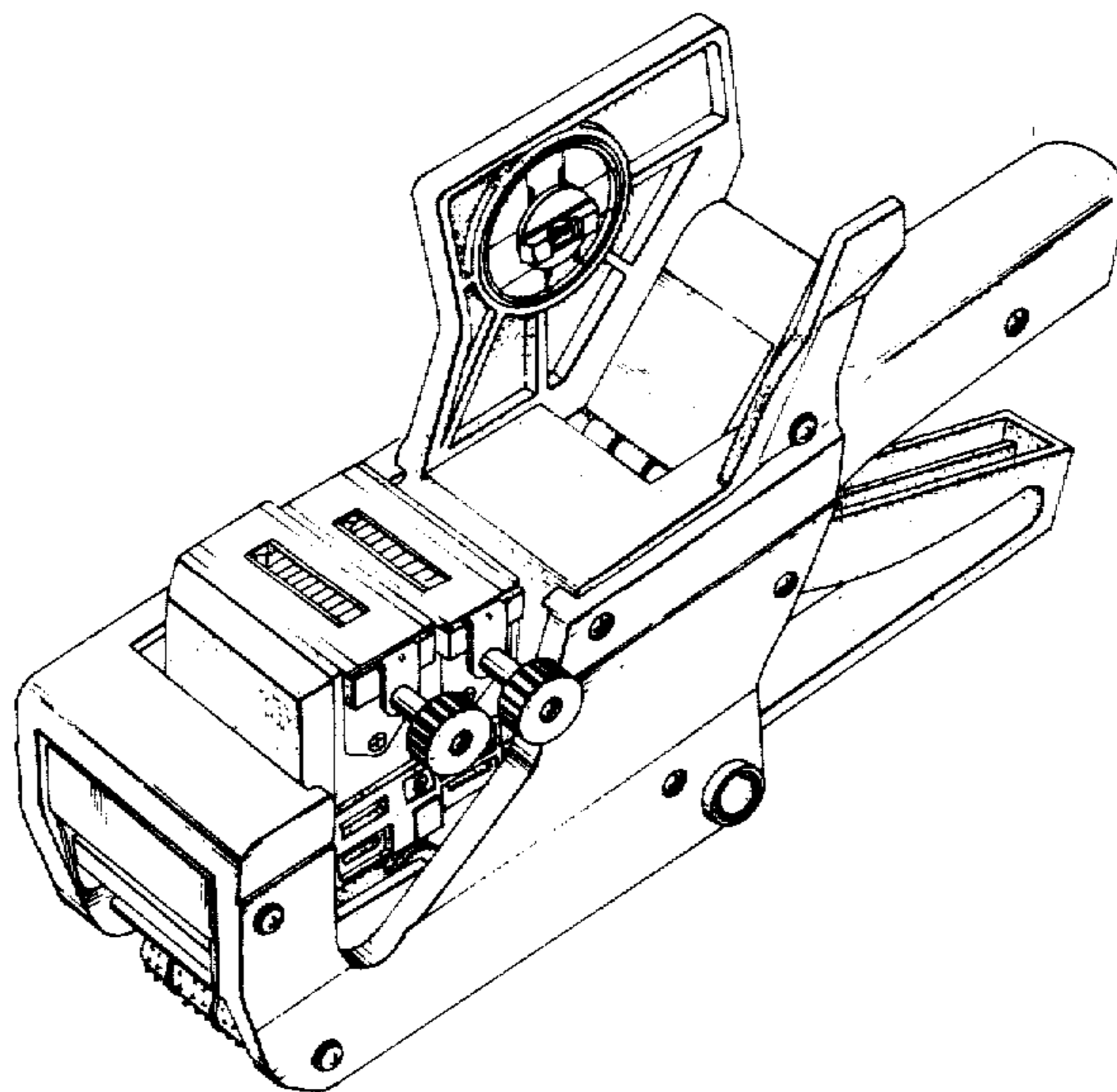
Primary Examiner—Melvin B. Feifer  
Attorney, Agent, or Firm—Ostrolenk, Faber, Gerb & Soffen

[57] CLAIM

The ornamental design for a hand operated labeling machine, as shown.

DESCRIPTION

FIG. 1 is a left side elevational view of a hand operated labeling machine showing my new design; FIG. 2 is a front elevational view thereof; FIG. 3 is a top view thereof; FIG. 4 is a rear view thereof; FIG. 5 is a bottom view thereof; FIG. 6 is a right side elevational view thereof; and FIG. 7 is a perspective view thereof.



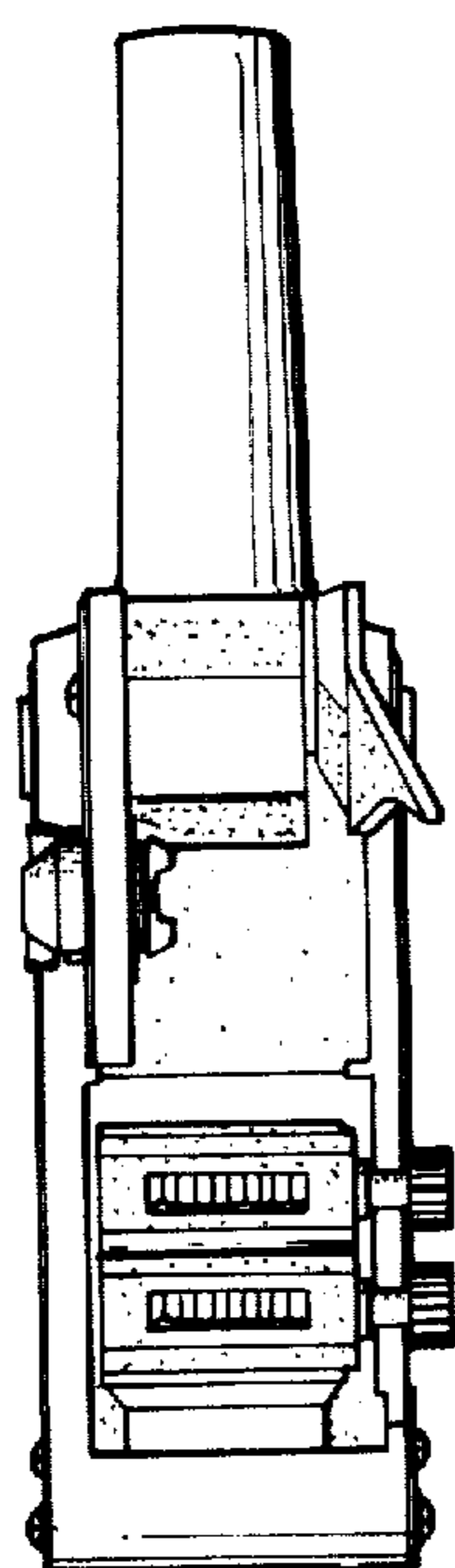


FIG. 3.

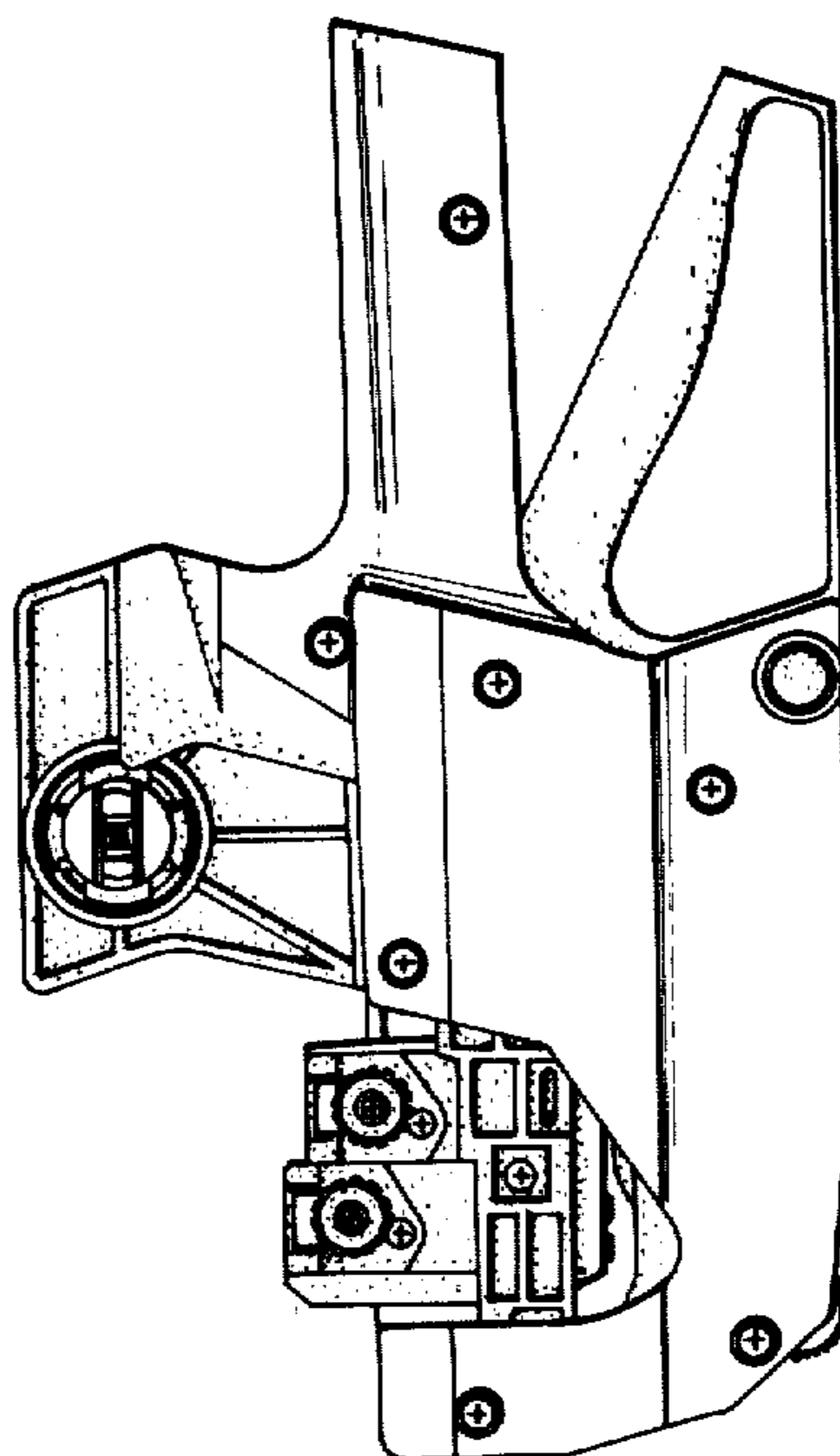


FIG. 1.

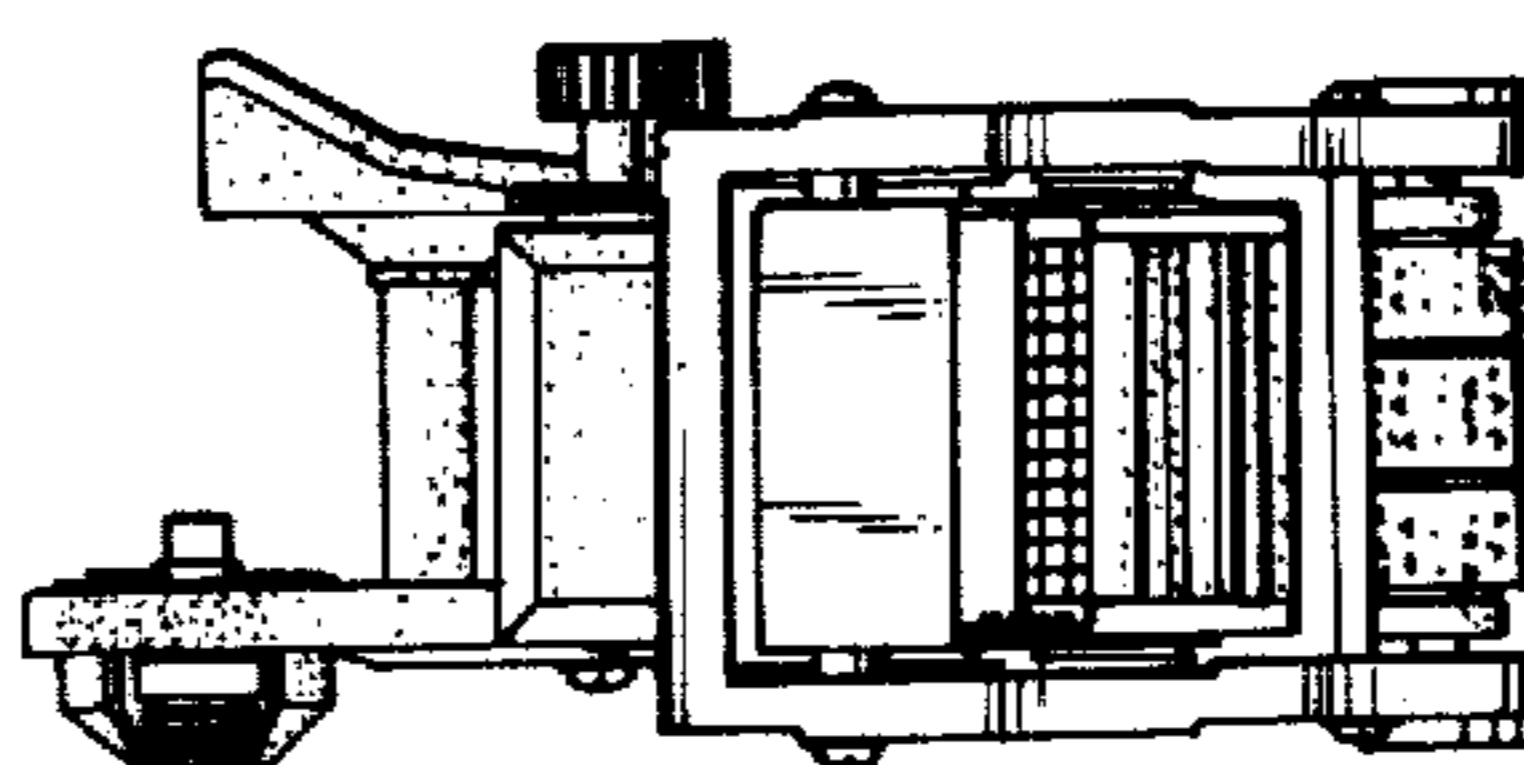


FIG. 2.

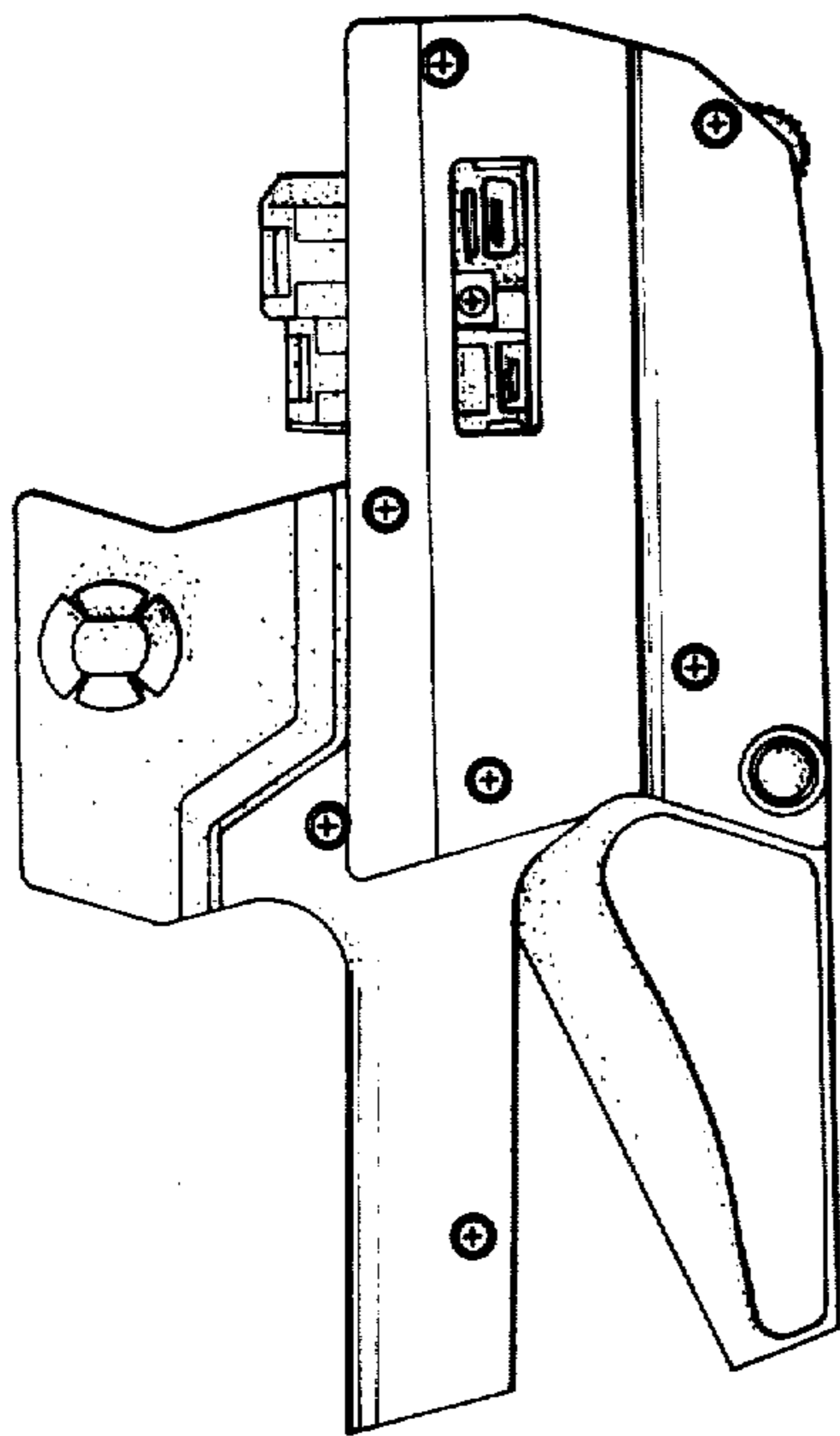


FIG. 6-

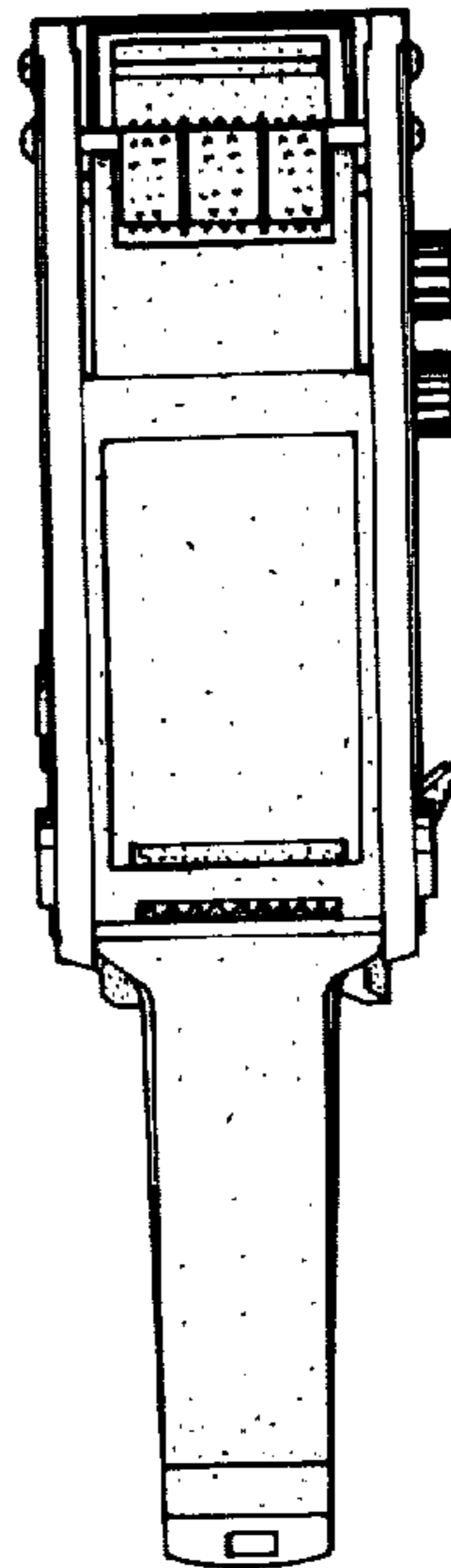


FIG. 5-

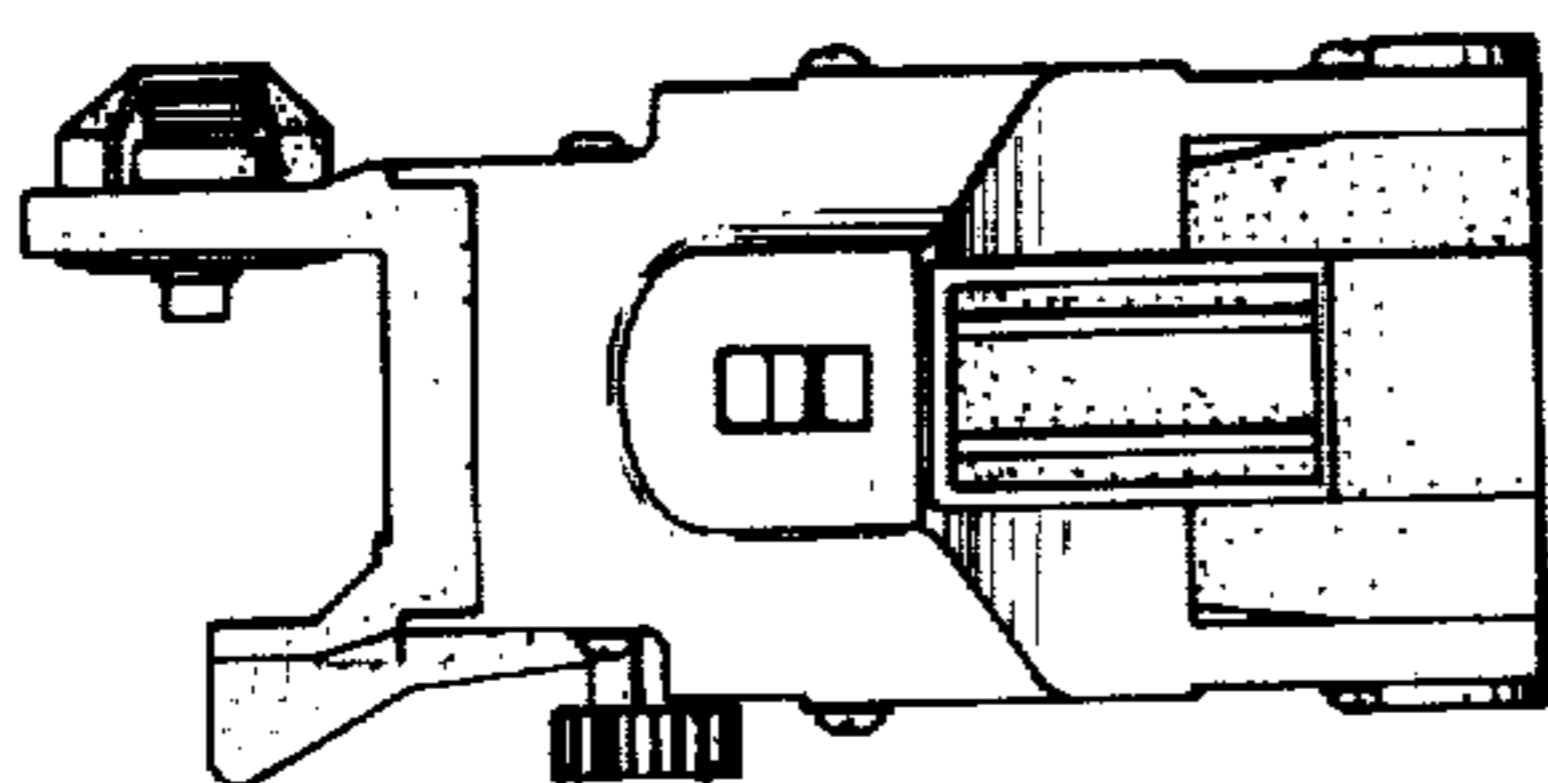


FIG. 4-

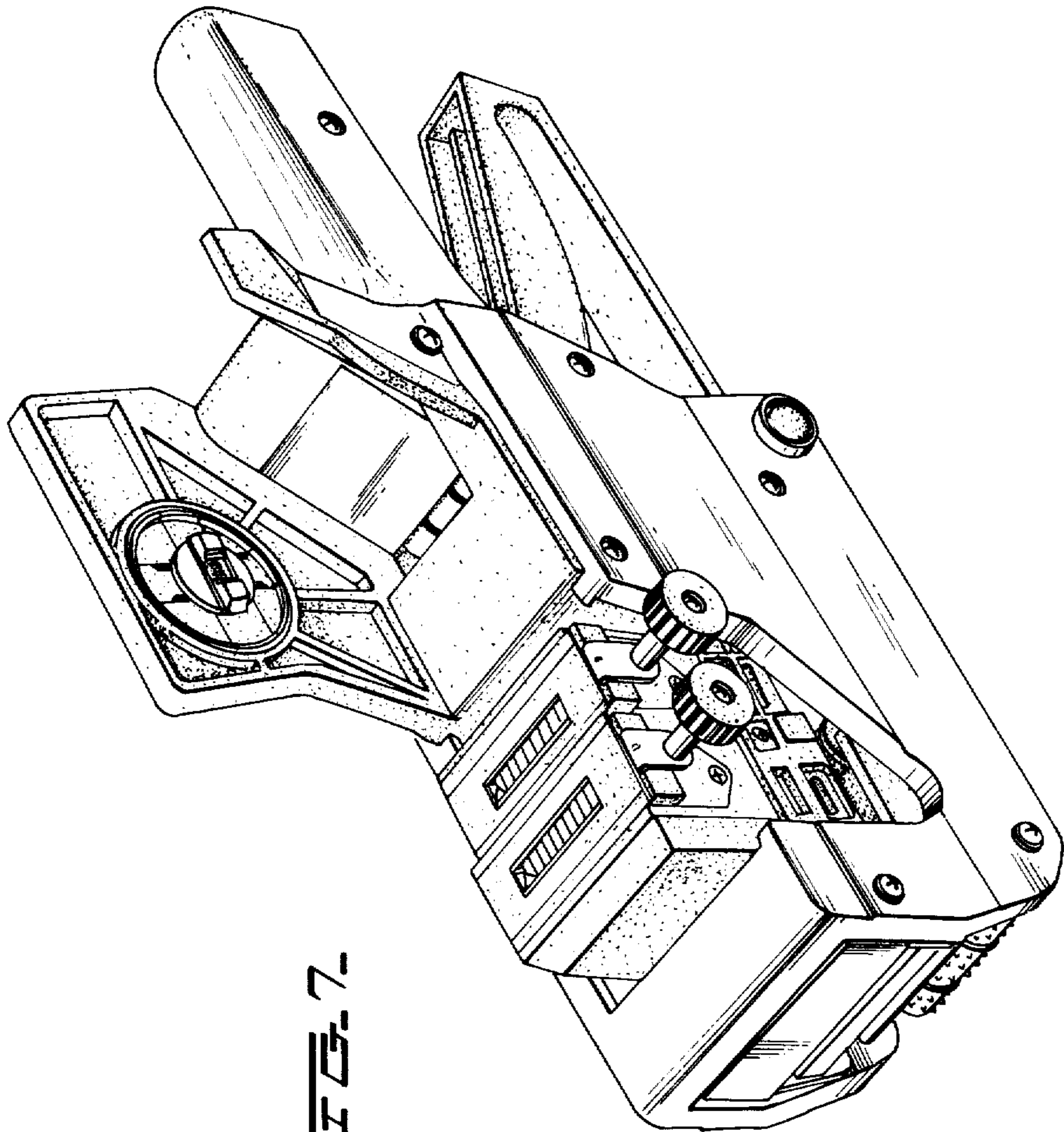


FIG. 7