

[54] **MAGNETIC DRILL STAND**

[75] Inventor: **Charles F. Morris, Flint, Mich.**

[73] Assignee: **Jancy Engineering Co., Davenport, Iowa**

[**] Term: **14 Years**

[21] Appl. No.: **53,859**

[22] Filed: **Jul. 2, 1979**

[51] Int. Cl. **D15-09; D8-01**

[52] U.S. Cl. **D15/132**

[58] Field of Search **D15/132, 141, 123; 408/76, 234**

2,977,825 4/1961 Buck 408/76

3,044,324 7/1962 Buck 408/76

3,254,547 6/1966 Engelsted et al. 408/76

3,796,506 3/1974 Buck 408/76

4,047,827 9/1977 Hougen 408/76

Primary Examiner—T. Tung
Attorney, Agent, or Firm—Robert G. Mentag

[57] **CLAIM**

The ornamental design for a magnetic drill stand, substantially as shown and described.

DESCRIPTION

FIG. 1 is a right side elevational view of a magnetic drill stand showing my new design, the broken line outline indicating environmental supported drill structure, which is for illustrative purposes only;

FIG. 2 is a left side elevational view thereof;

FIG. 3 is a rear elevational view thereof;

FIG. 4 is a front elevational view thereof;

FIG. 5 is a top view thereof, with a part removed, and;

FIG. 6 is a perspective view.

[56] **References Cited**

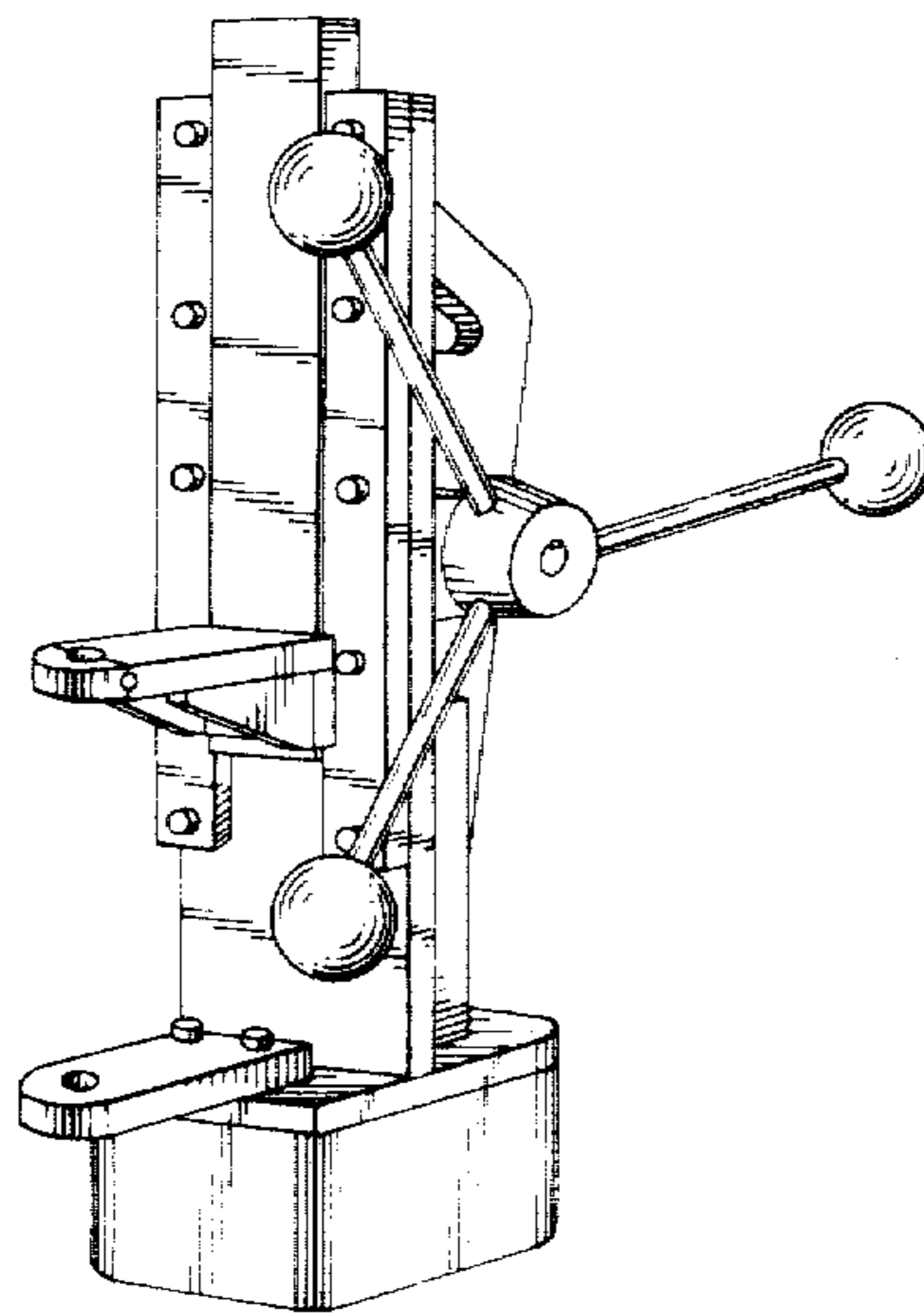
U.S. PATENT DOCUMENTS

Re. 26,037 6/1966 Herfurth 408/76

D. 170,352 9/1953 Buck D15/132

D. 180,640 7/1957 Buck D15/132

D. 195,735 7/1963 Snyder D15/132



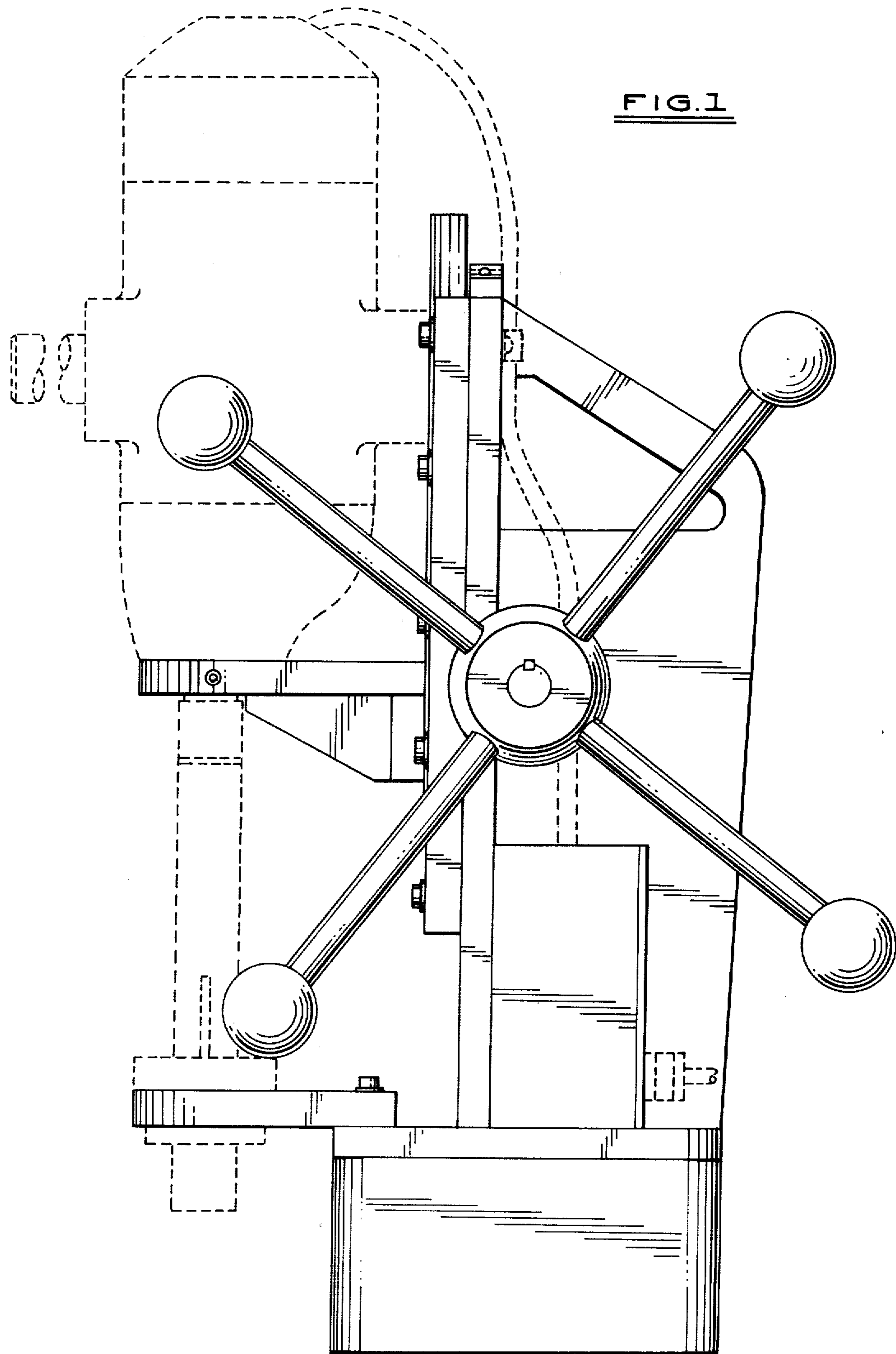


FIG. 2

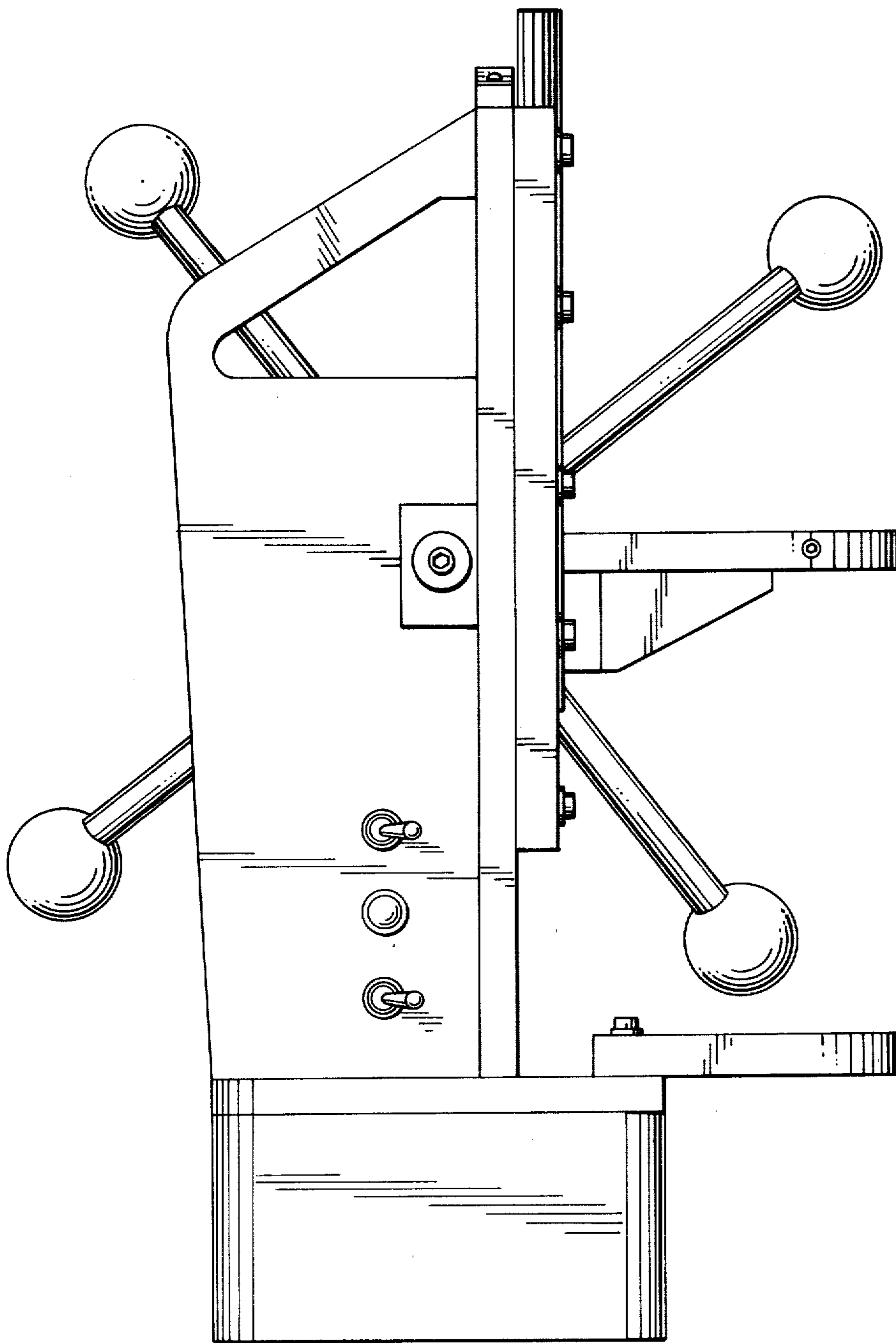


FIG. 3

FIG. 4

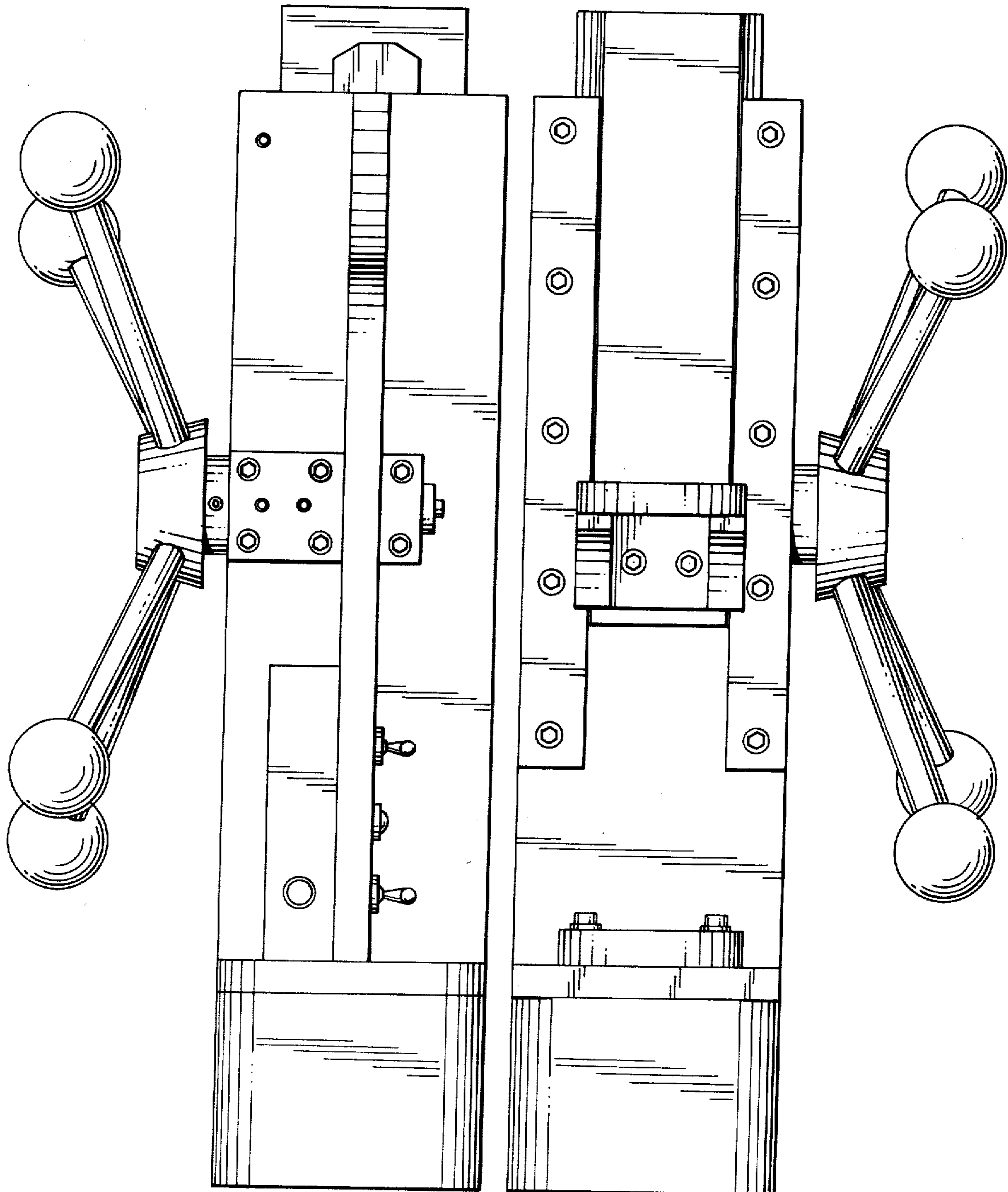


FIG. 5

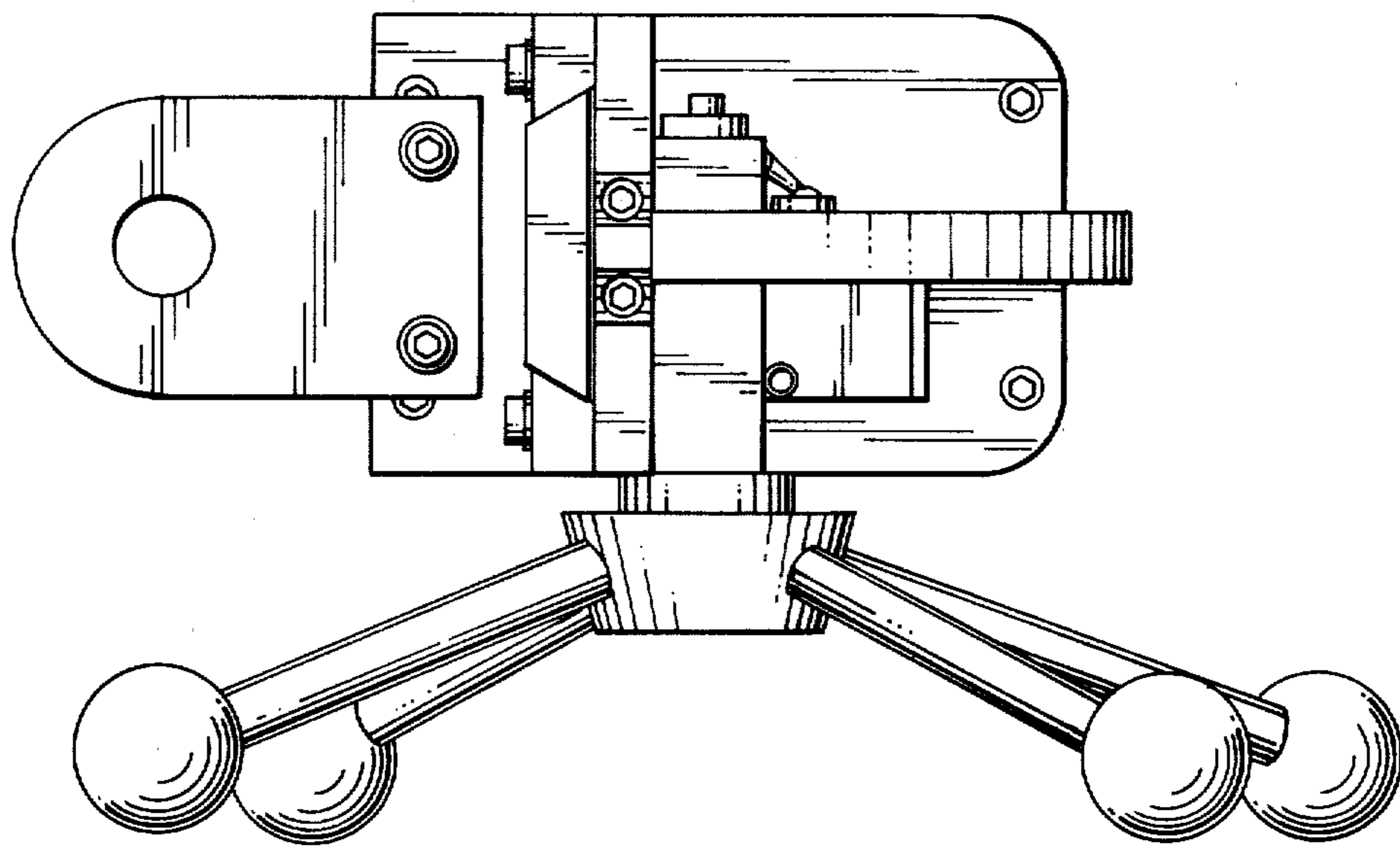


FIG. 6

