

[54] **THREAD DELIVERY FEEDER FOR TEXTILE MACHINES**

[75] Inventors: **Kurt A. G. Jacobsson, Ulricehamn; Lars G. Rosenblad, Brötjemark, both of Sweden**

[73] Assignee: **Aktiebolaget IRO, Ulricehamn, Sweden**

[\*\*] Term: **14 Years**

[21] Appl. No.: **87,178**

[22] Filed: **Oct. 22, 1979**

[30] **Foreign Application Priority Data**

Apr. 25, 1979 [SE] Sweden ..... 79-1067

[51] Int. Cl. .... **D15-06**

[52] U.S. Cl. .... **D15/78**

[58] Field of Search ..... **D15/66, 78, 72; 242/47.01, 47.12**

[56] **References Cited**

**U.S. PATENT DOCUMENTS**

3,994,446	11/1976	Jacobsson	242/47.01
4,028,911	6/1977	Fecker et al.	242/47.01
4,106,713	8/1978	Jacobsson	242/47.01

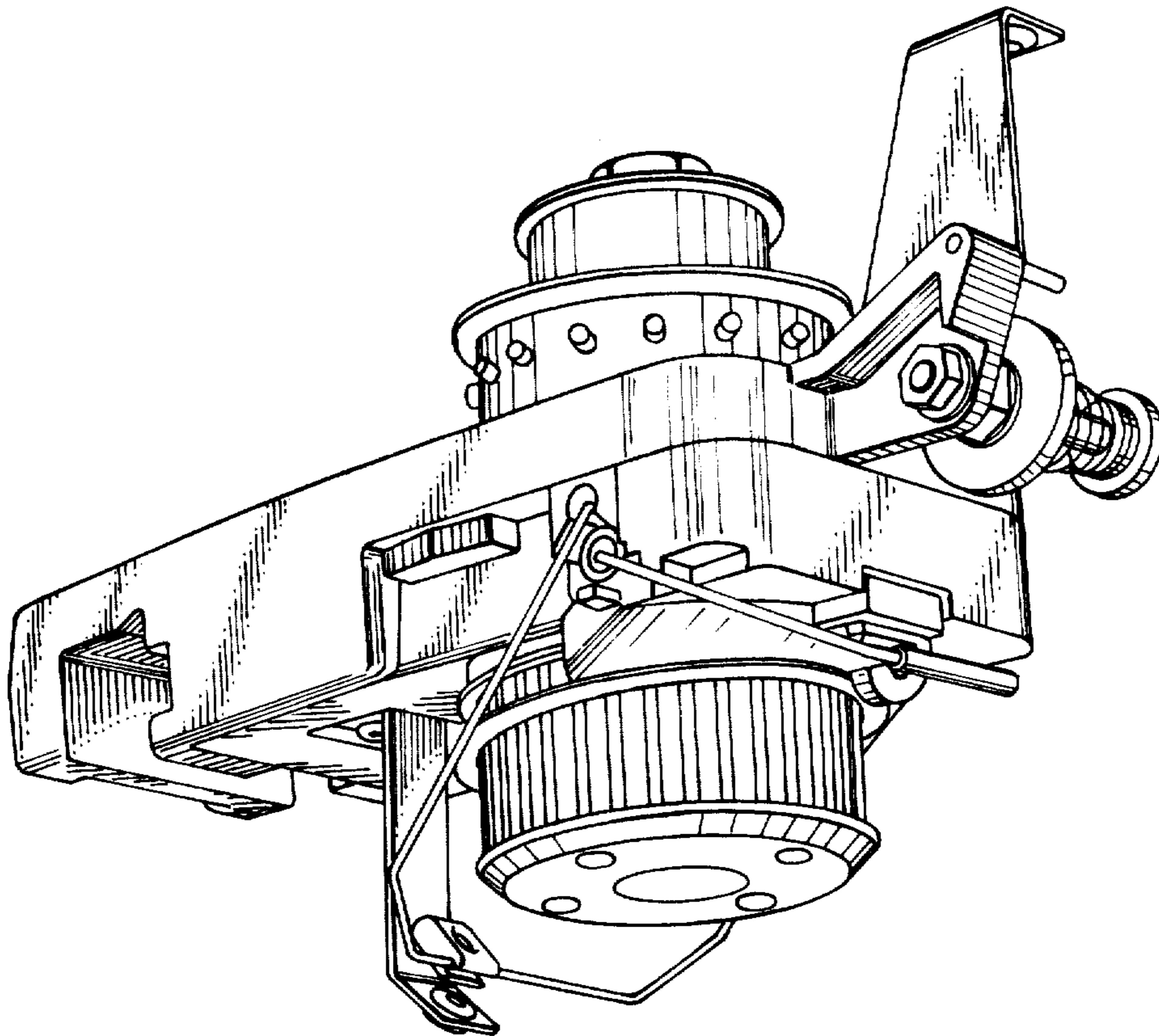
*Primary Examiner*—Joel Stearman  
*Assistant Examiner*—Carmen H. Vales  
*Attorney, Agent, or Firm*—Blanchard, Flynn, Thiel, Boutell & Tanis

[57] **CLAIM**

The ornamental design for a thread delivery feeder for textile machines, as shown and described.

**DESCRIPTION**

FIG. 1 is a perspective view of a thread delivery feeder for textile machines showing our new design; FIG. 2 is a front elevational view thereof; FIG. 3 is a rear elevational view thereof; FIG. 4 is a left side elevational view thereof; FIG. 5 is a right side elevational view thereof; FIG. 6 is a bottom plan view thereof; and FIG. 7 is a top plan view thereof.



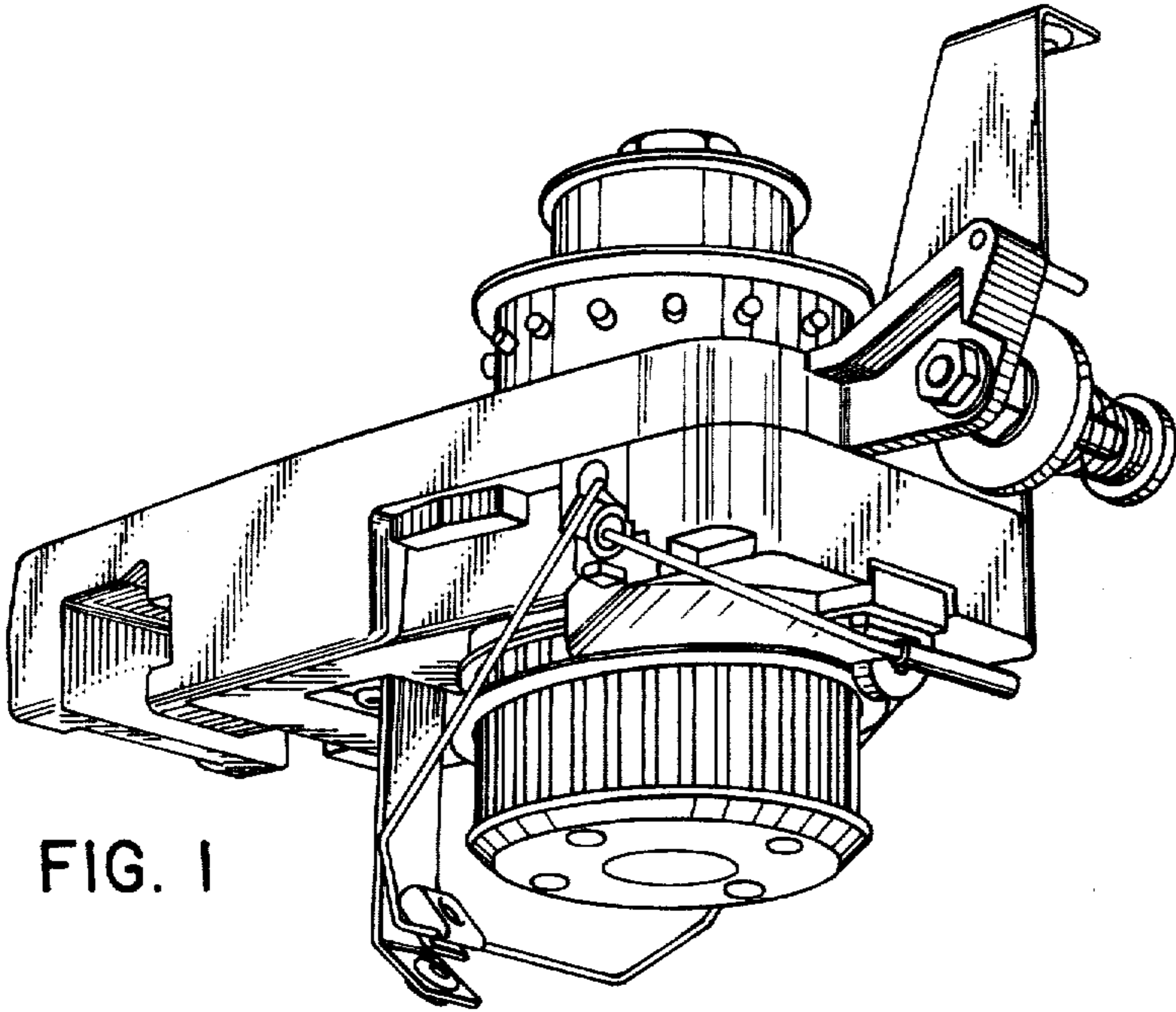


FIG. 1

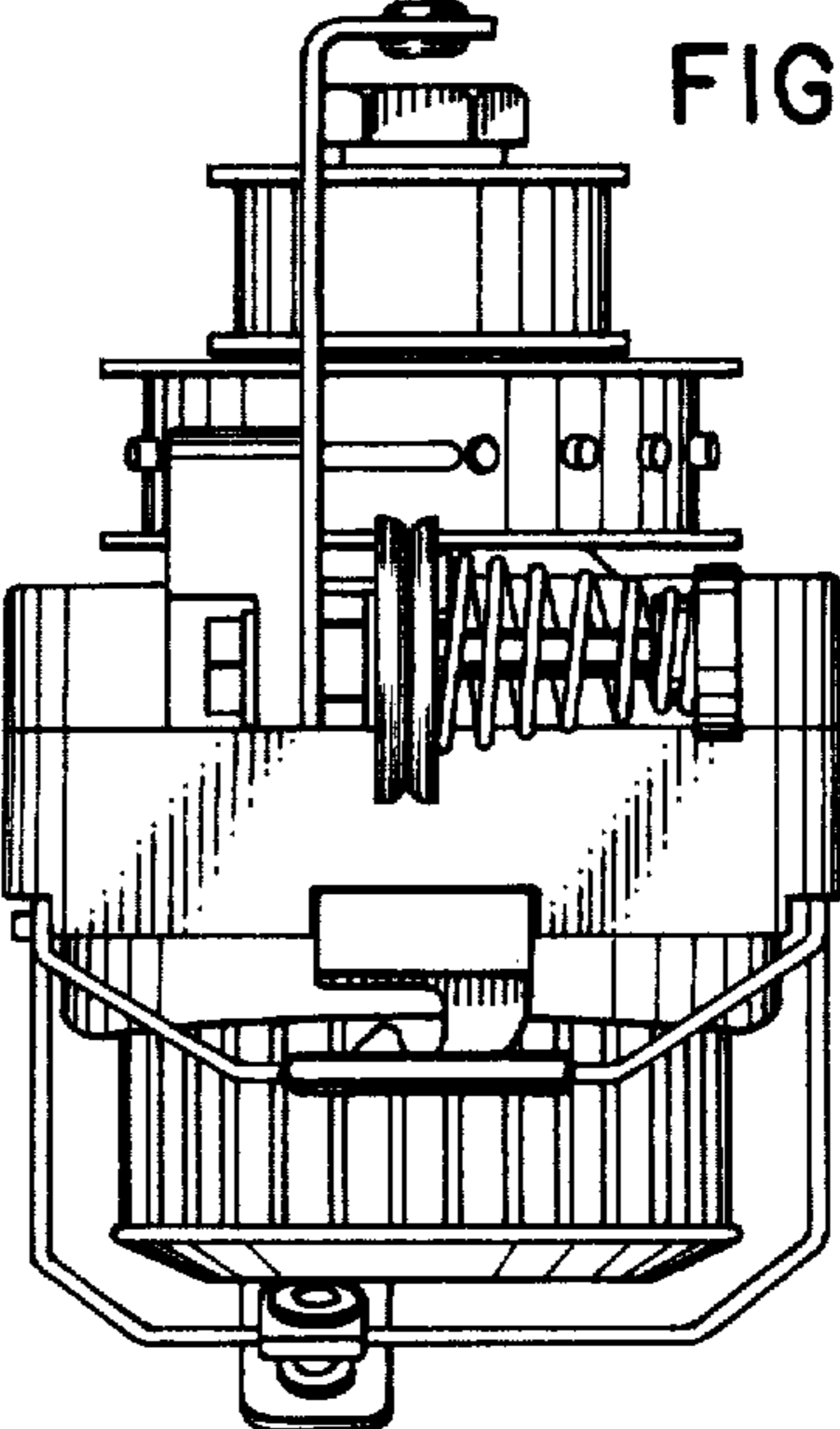


FIG. 2

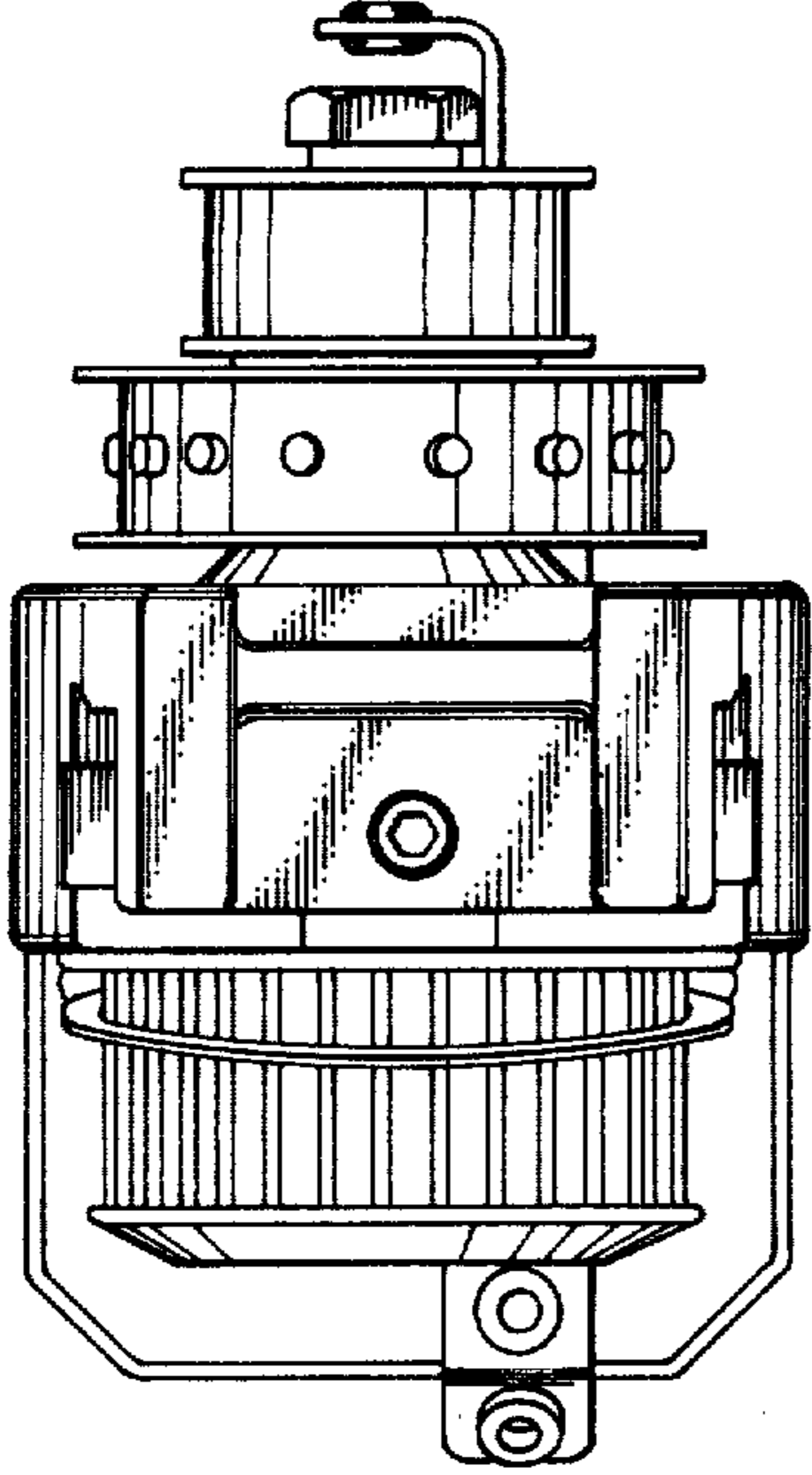


FIG. 3

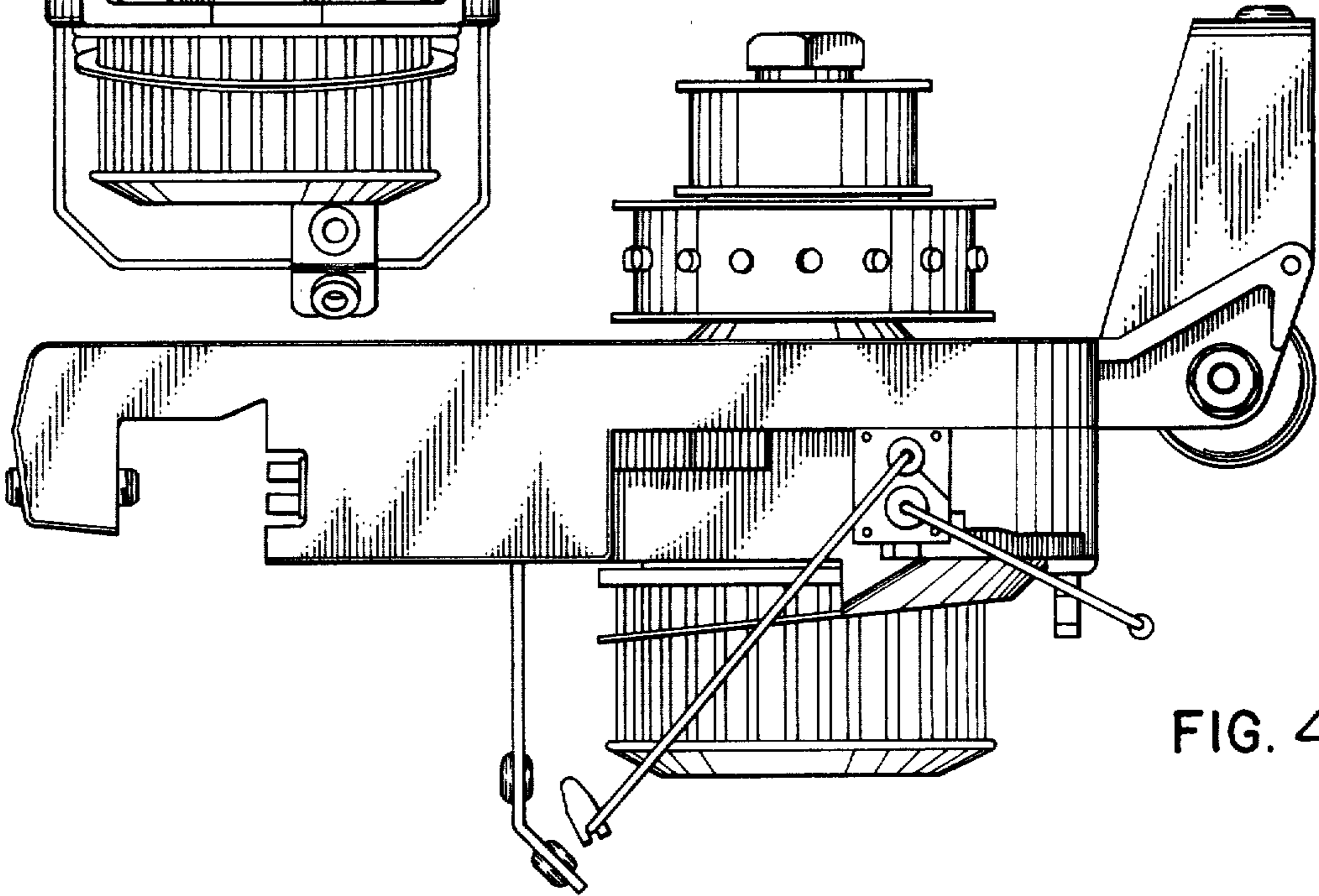


FIG. 4

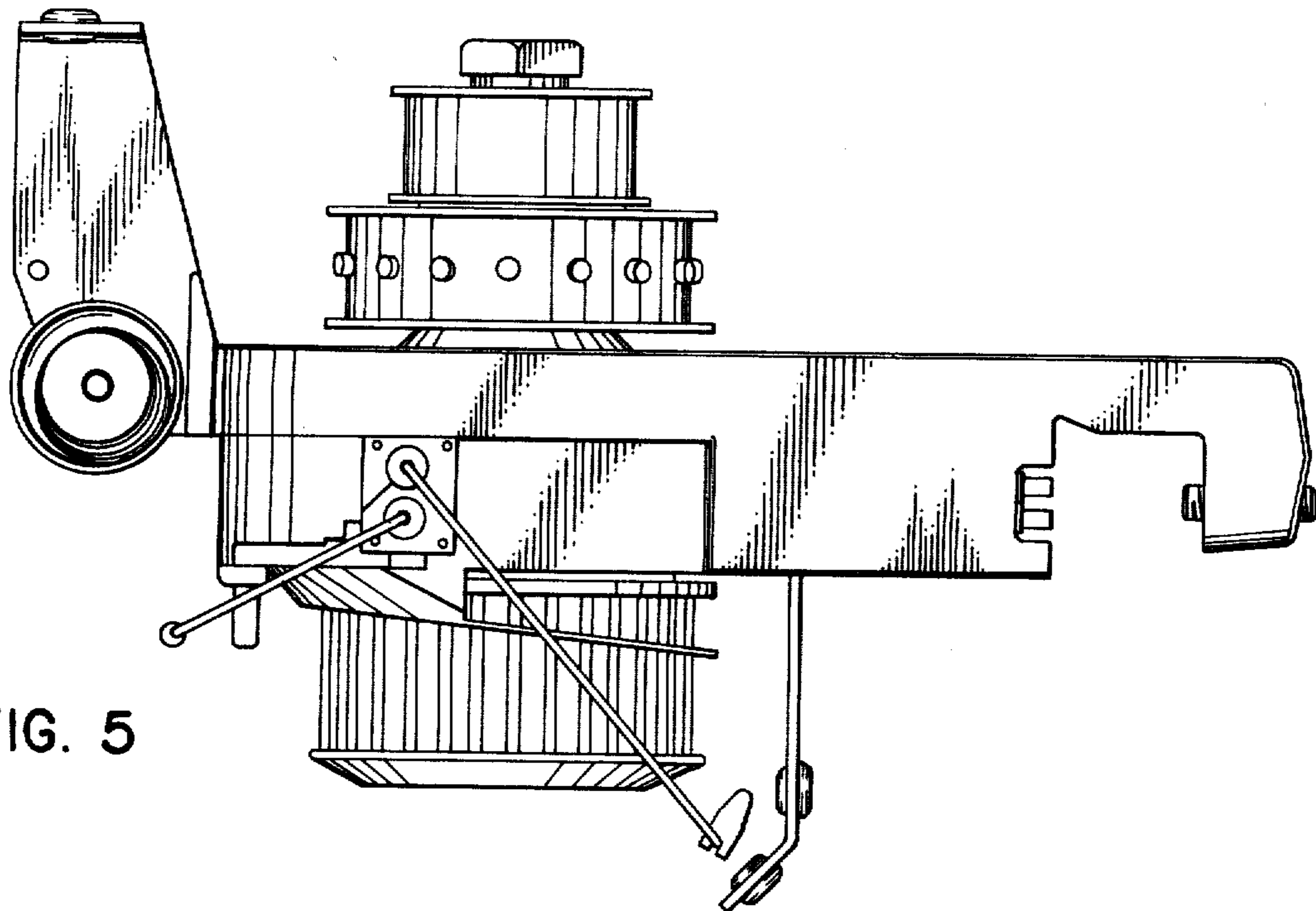


FIG. 5

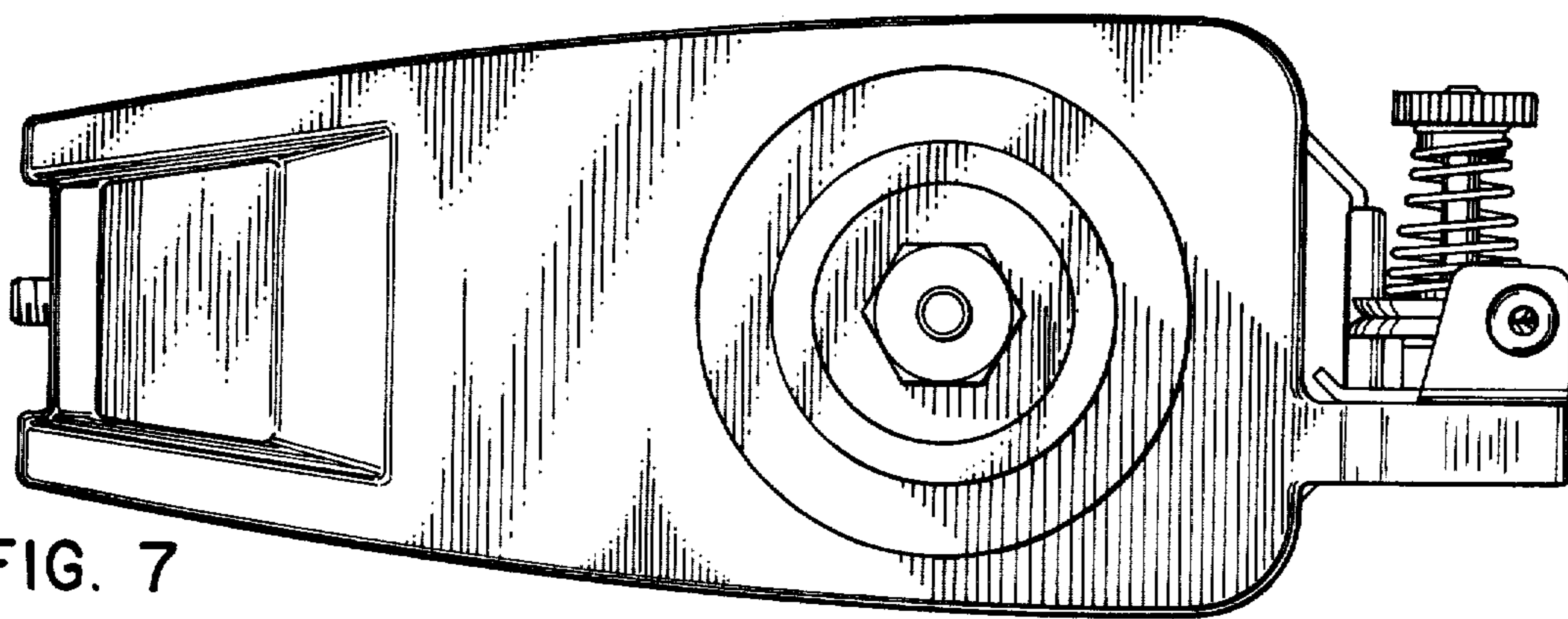


FIG. 7

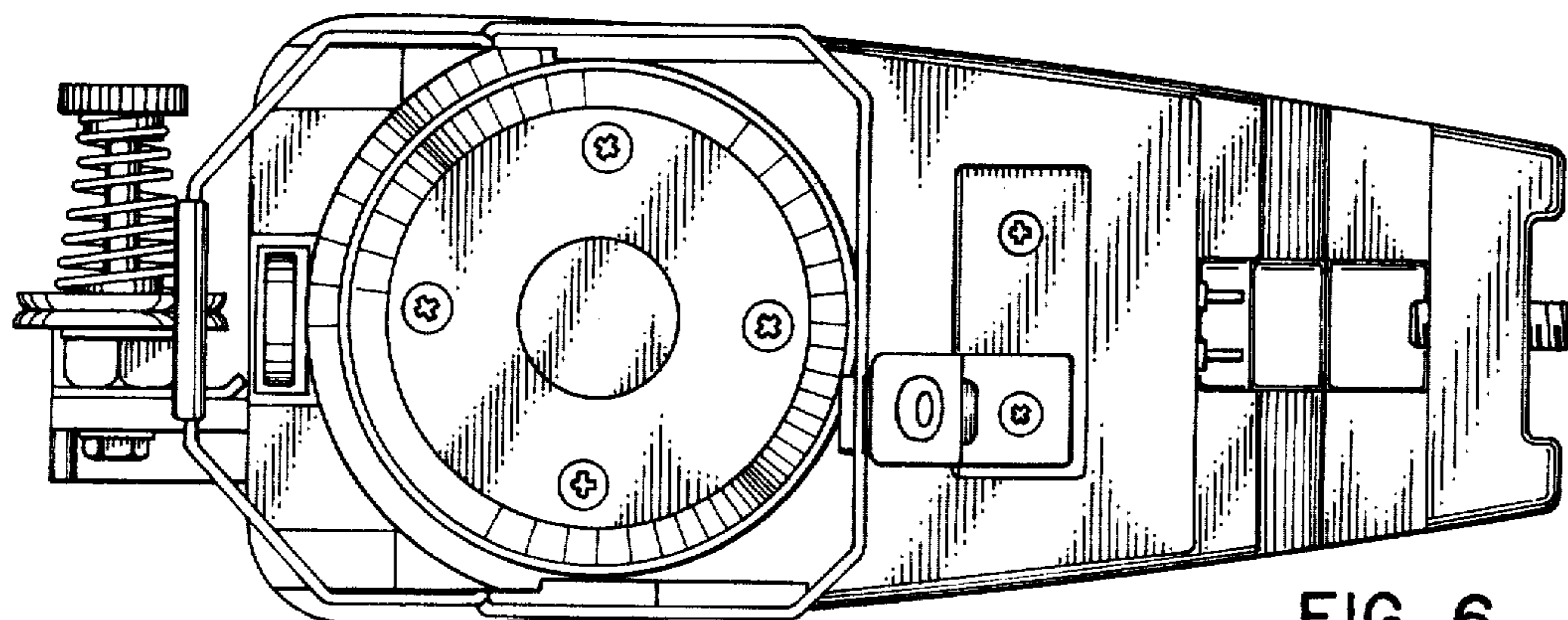


FIG. 6