

[54] ELECTRICAL CONNECTOR

[75] Inventor: Bronius Gaizauskas, Chicago, Ill.

[73] Assignee: Akzona Incorporated, Asheville, N.C.

[\*\*] Term: 14 Years

[21] Appl. No.: 112,016

[22] Filed: Jan. 14, 1980

[51] Int. Cl. .... D13-03

[52] U.S. Cl. .... D13/24

[58] Field of Search .... D13/24, 32, 11; 339/91 R, 186 R, 186 M; 200/50 B, 51 R

[56] References Cited

U.S. PATENT DOCUMENTS

D. 132,996	7/1942	Nicholas	.....	D13/30
D. 234,771	4/1975	Saunders	.....	D13/24
D. 239,176	3/1976	Wilson et al.	.....	D13/24
1,818,290	8/1931	Wulle	.....	200/50 B

1,971,990	8/1934	Reynolds et al.	.....	200/50 B
3,008,116	11/1961	Blanchenot	.....	339/186 M X
3,202,956	8/1965	Hennessey, Jr.	.....	339/186 M X
3,523,166	8/1970	Daly	.....	200/50 B
3,614,711	10/1971	Anderson et al.	.....	339/186 M X
4,268,729	5/1981	Gaizauskas	.....	200/50 B

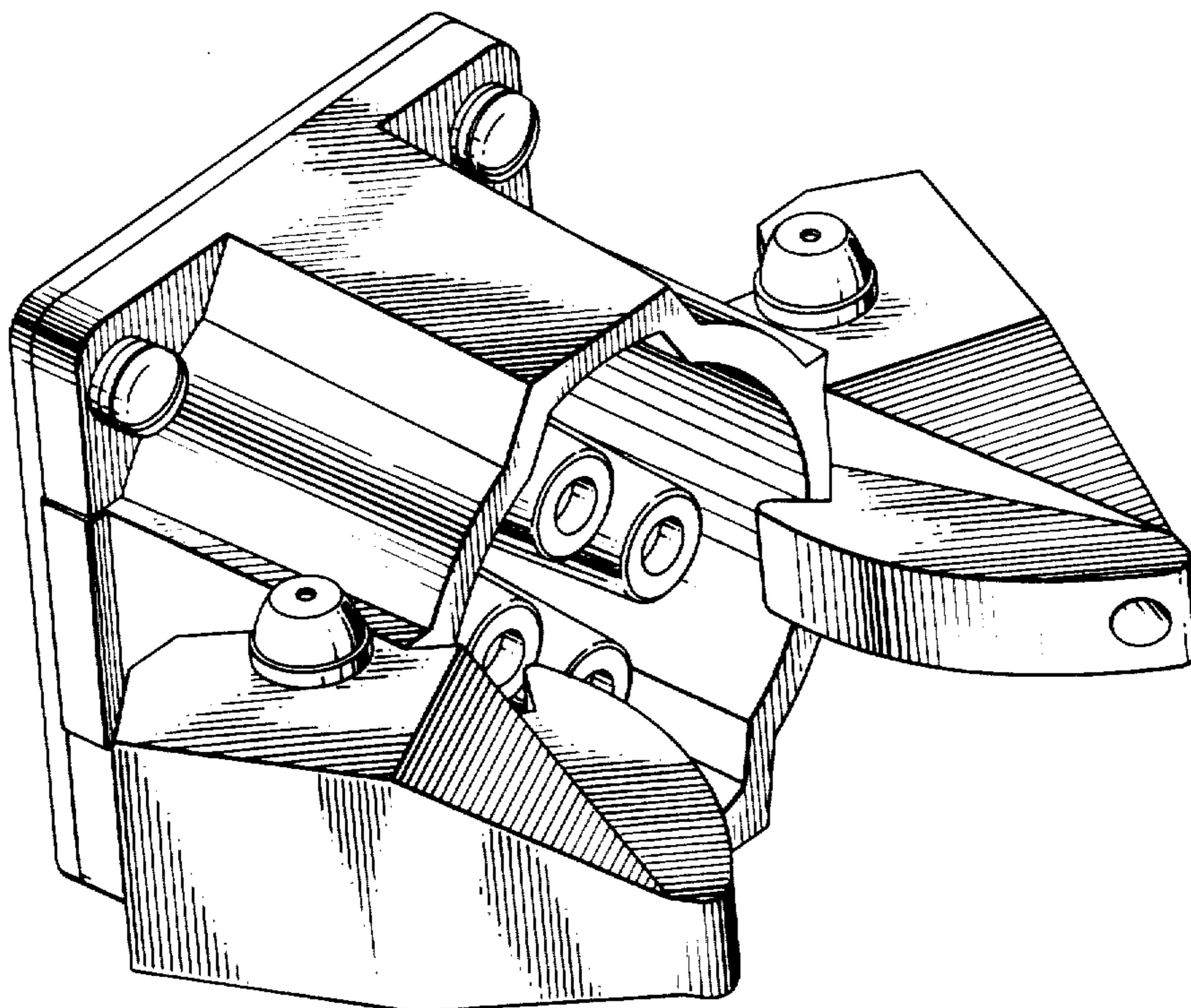
Primary Examiner—Catherine E. Kemper  
Attorney, Agent, or Firm—Francis W. Young; David M. Carter

[57] CLAIM

The ornamental design for an electrical connector, as shown.

DESCRIPTION

FIG. 1 is a perspective view of an electrical connector showing my new design;  
FIG. 2 is a top plan view thereof;  
FIG. 3 is a side elevational view thereof;  
FIG. 4 is a front elevational view thereof;  
FIG. 5 is a bottom plan view thereof;  
FIG. 6 is a rear elevational view thereof.



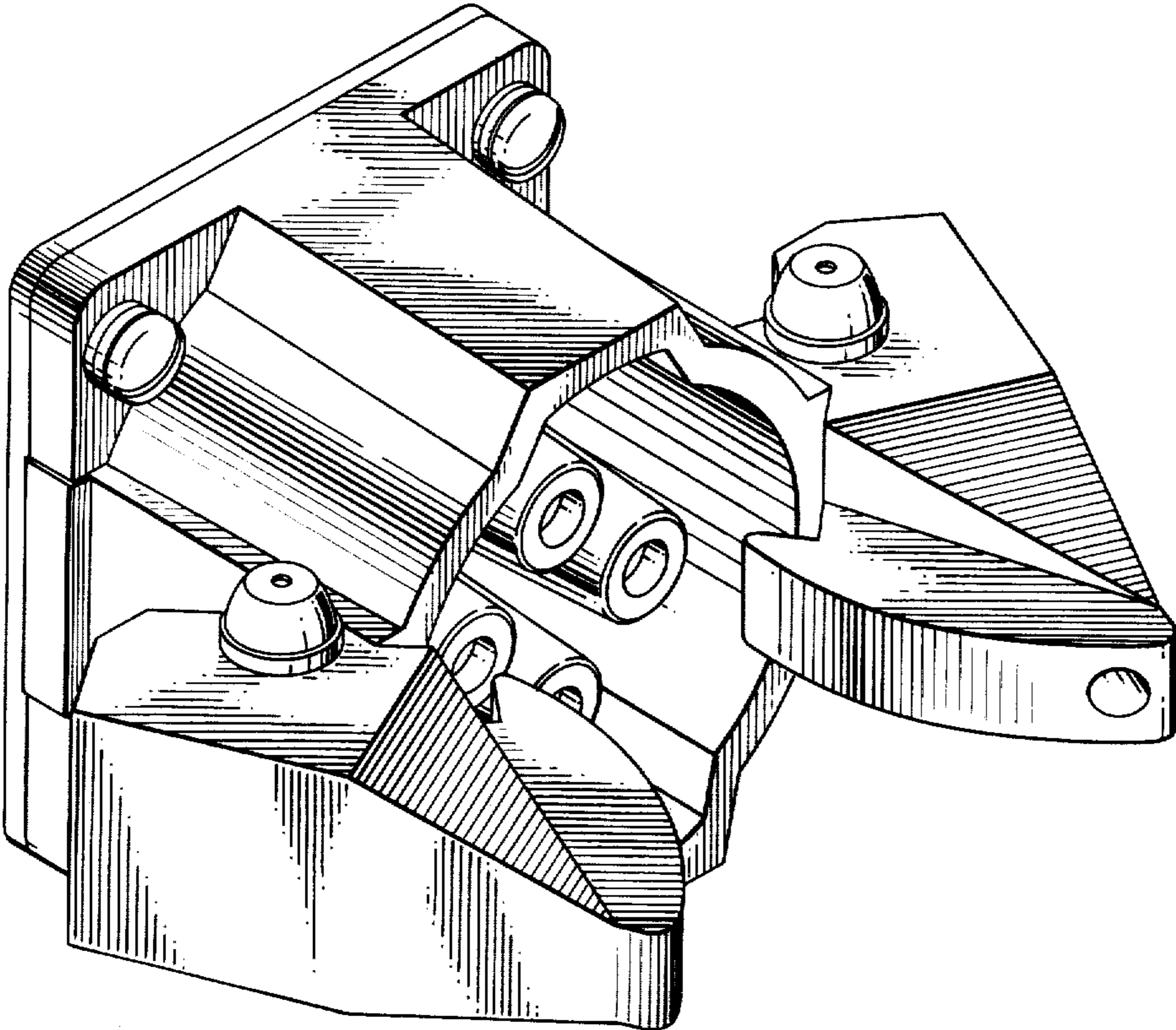


FIG. 1

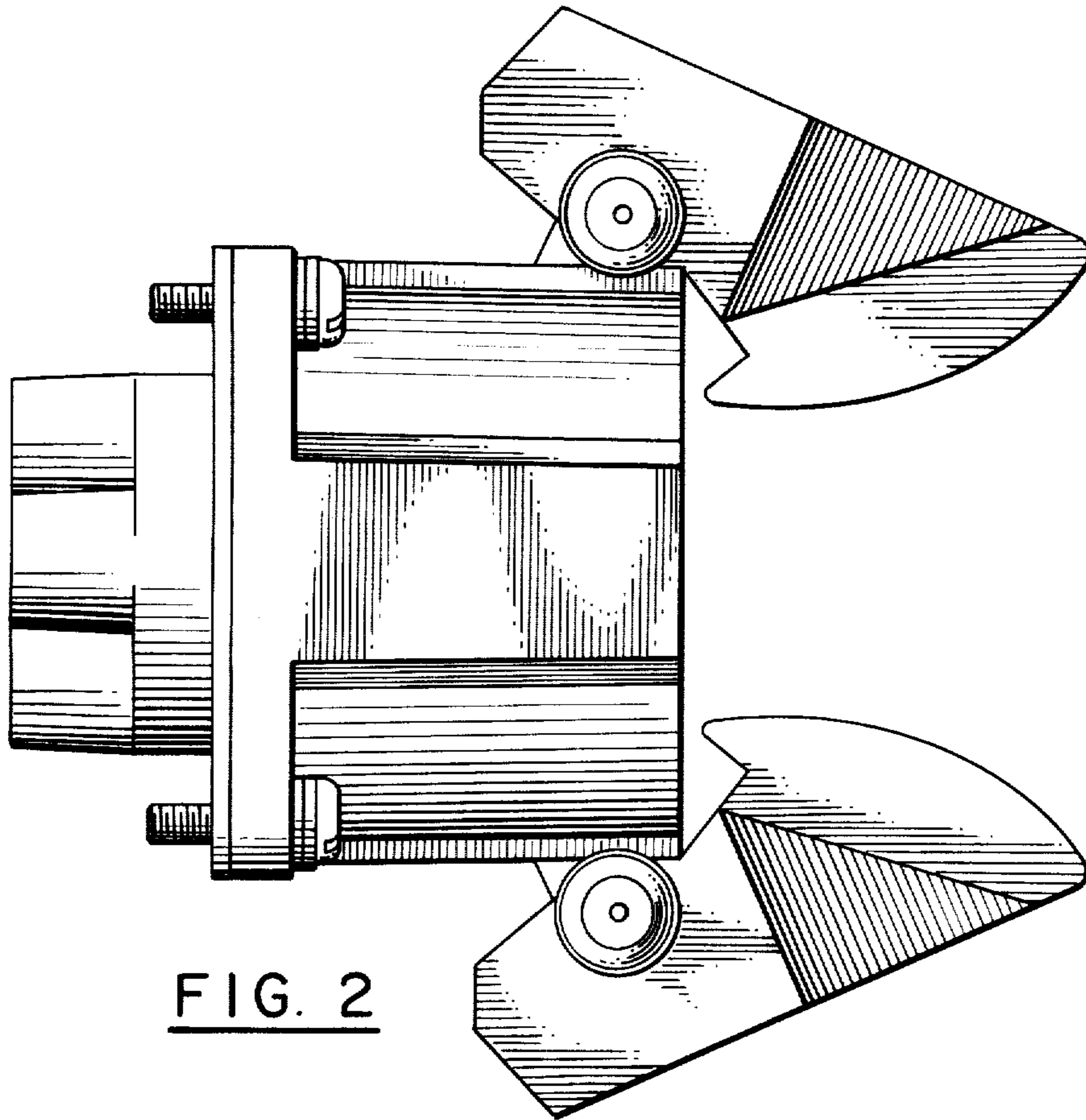


FIG. 2

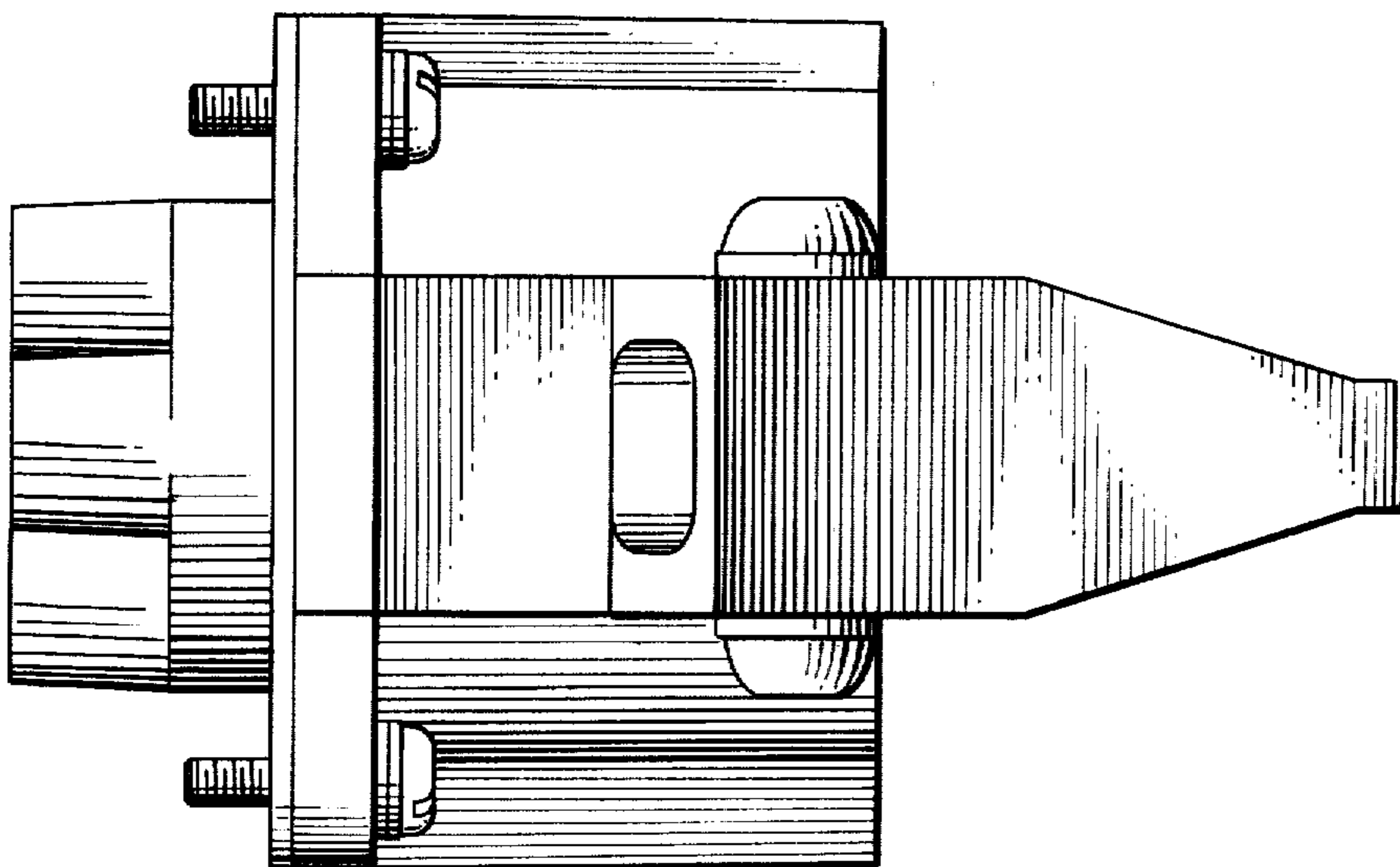


FIG. 3

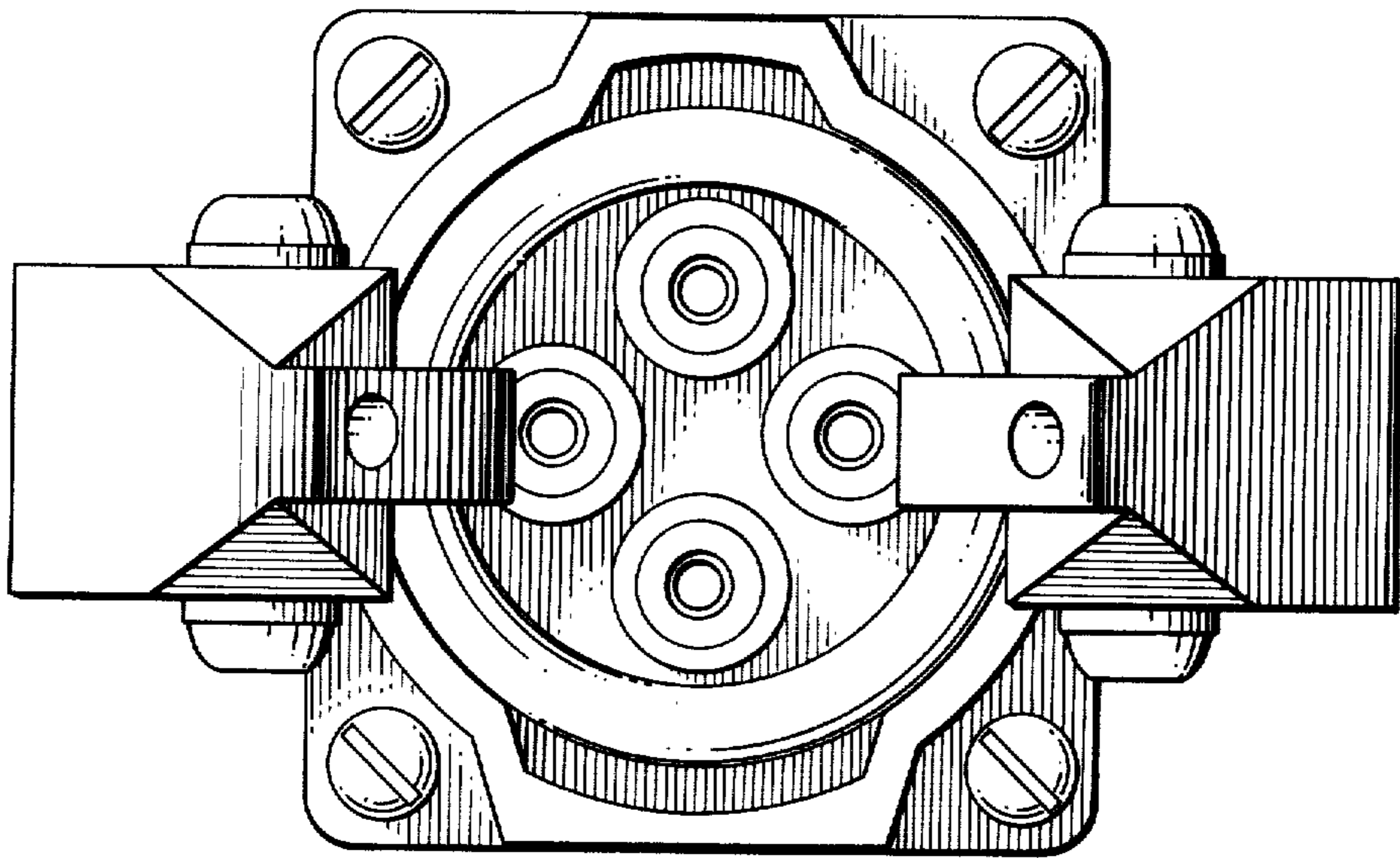


FIG. 4

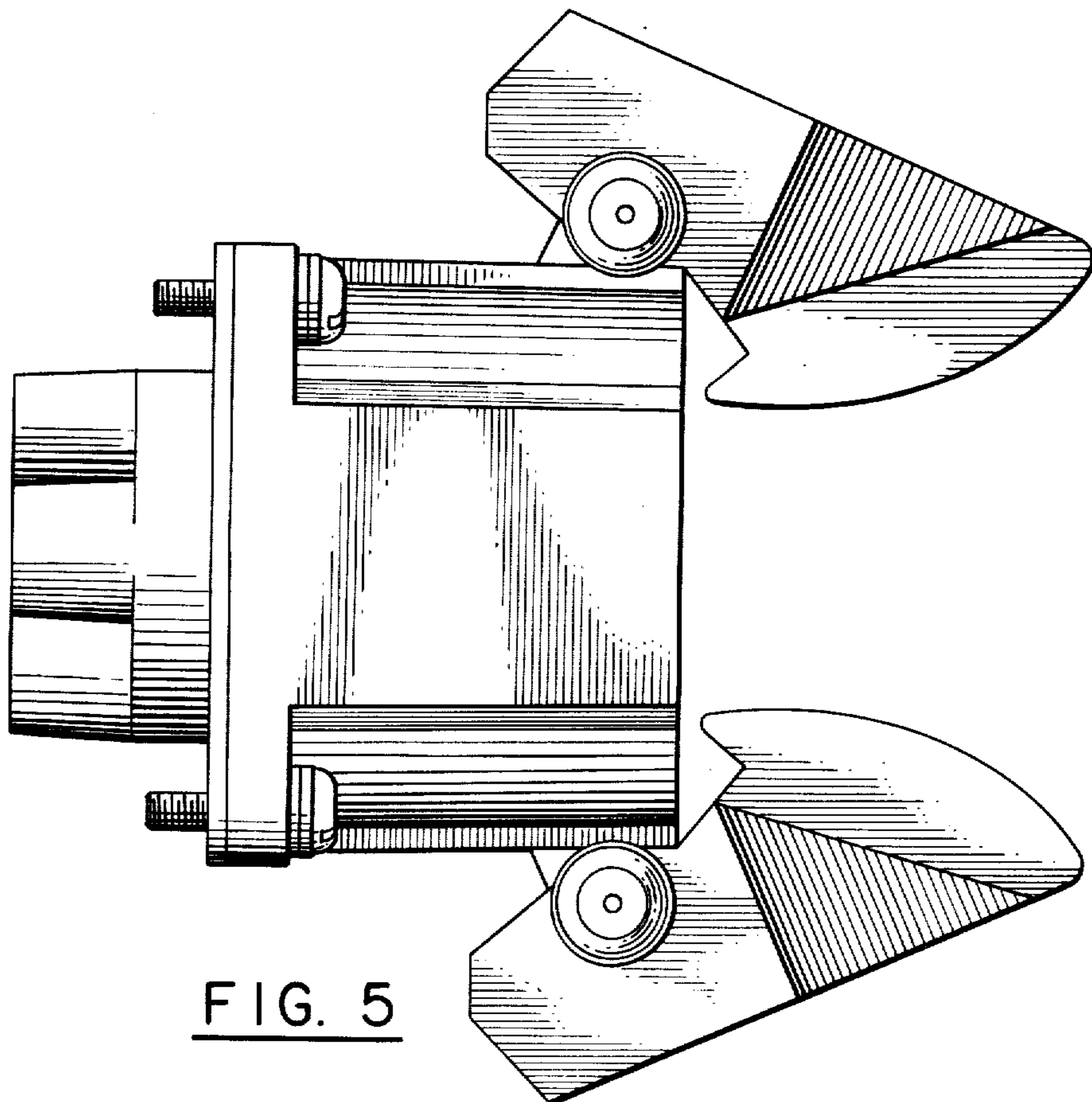


FIG. 5

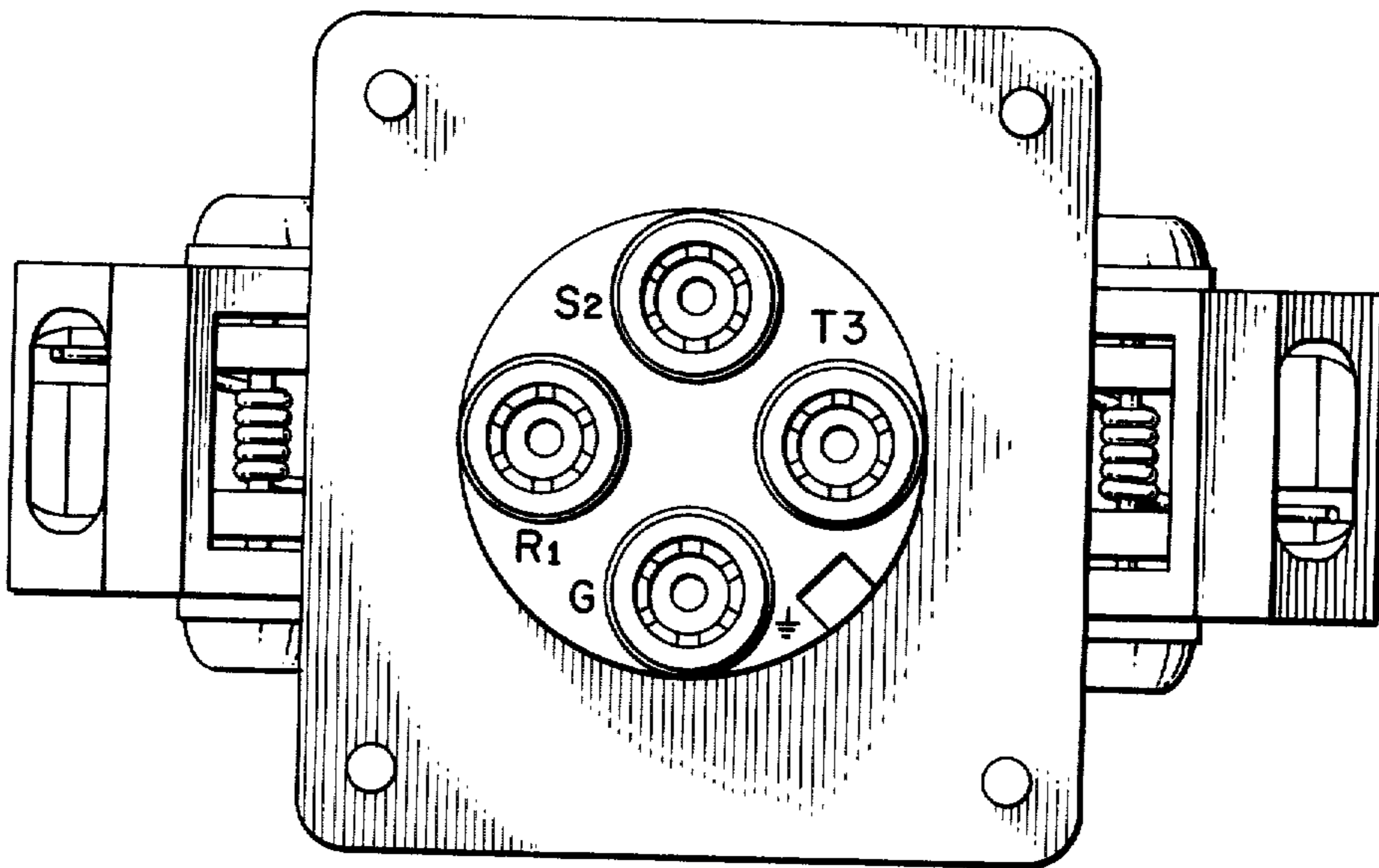


FIG. 6