

[54] COMBINED HYDROPONIC PLANTER, TANK AND COVER THEREFOR

[76] Inventor: Wolfgang Blaicher, Böcklinstrasse 44, 6800 Mannheim 25, Fed. Rep. of Germany

[**] Term: 14 Years

[21] Appl. No.: 120,858

[22] Filed: Feb. 12, 1980

[30] Foreign Application Priority Data

Aug. 13, 1979 [DE] Fed. Rep. of Germany ... 42 MR IV 256

[51] Int. Cl. D11-02

[52] U.S. Cl. D11/143

[58] Field of Search D11/143, 152; 47/59, 47/62, 63, 66, 86, 87

[56] References Cited

U.S. PATENT DOCUMENTS

| | | | | |
|------------|--------|----------|-------|---------|
| D. 245,241 | 8/1977 | Robinson | | D11/155 |
| D. 247,357 | 2/1978 | Gray | | D11/143 |
| 3,073,061 | 1/1963 | Pearson | | D11/143 |
| 4,248,013 | 2/1981 | Allen | | 47/59 |

Primary Examiner—B. J. Bullock
Attorney, Agent, or Firm—Kurt Kelman

[57] CLAIM

The ornamental design for a combined hydroponic planter, tank and cover therefor, as shown.

DESCRIPTION

FIG. 1 is a perspective view of a combined hydroponic planter, tank and cover therefor, showing my new design, with the cover and tank omitted for clarity of illustration;

FIG. 2 is a perspective view thereof, with the tank and cover in place;

FIG. 3 is an exploded perspective view showing the tank in the planter but the cover removed;

FIG. 4 is a bottom plan view thereof; and

FIG. 5 is a perspective view similar to that of FIG. 1, the hidden wall being a mirror image of that shown.

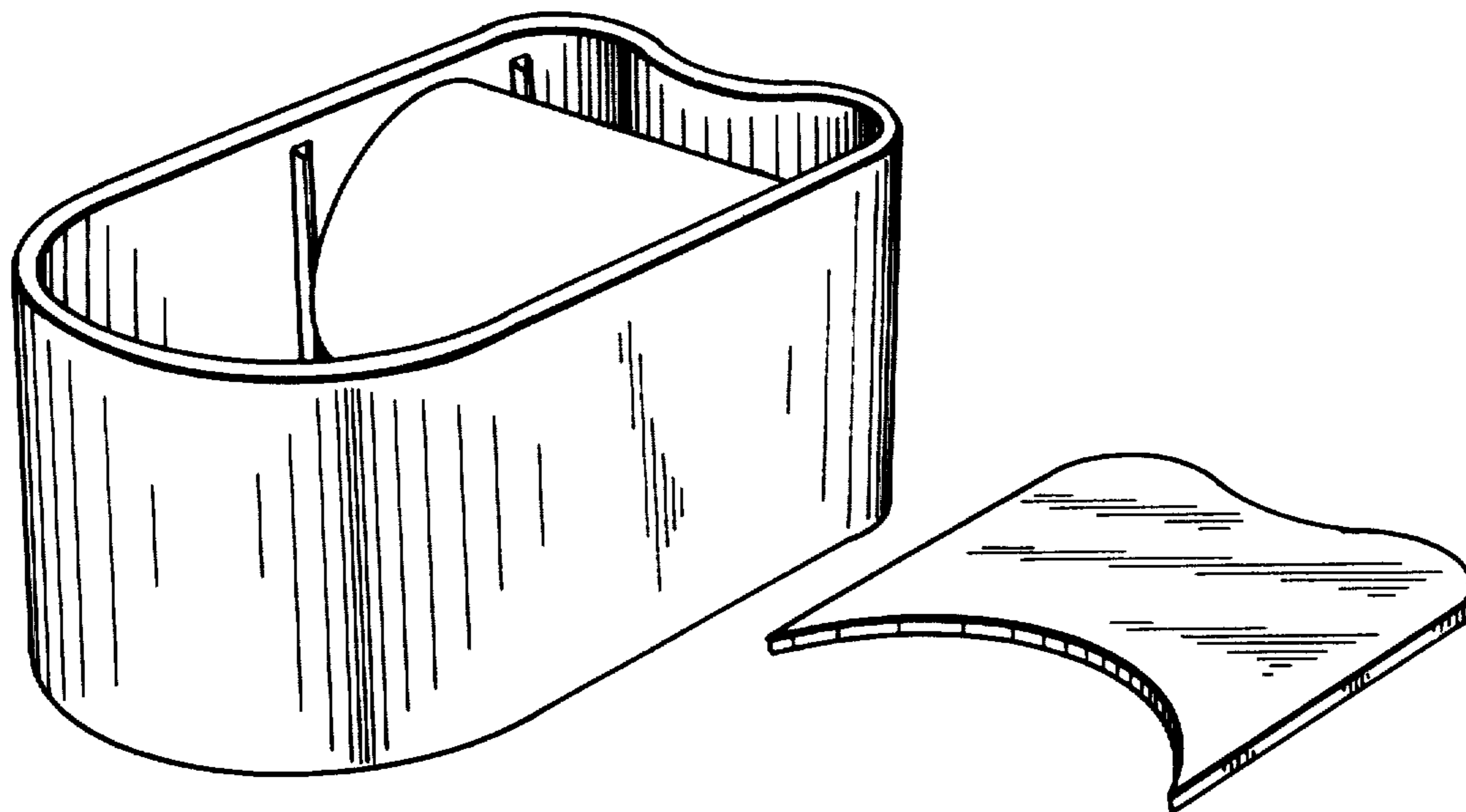


FIG. 1

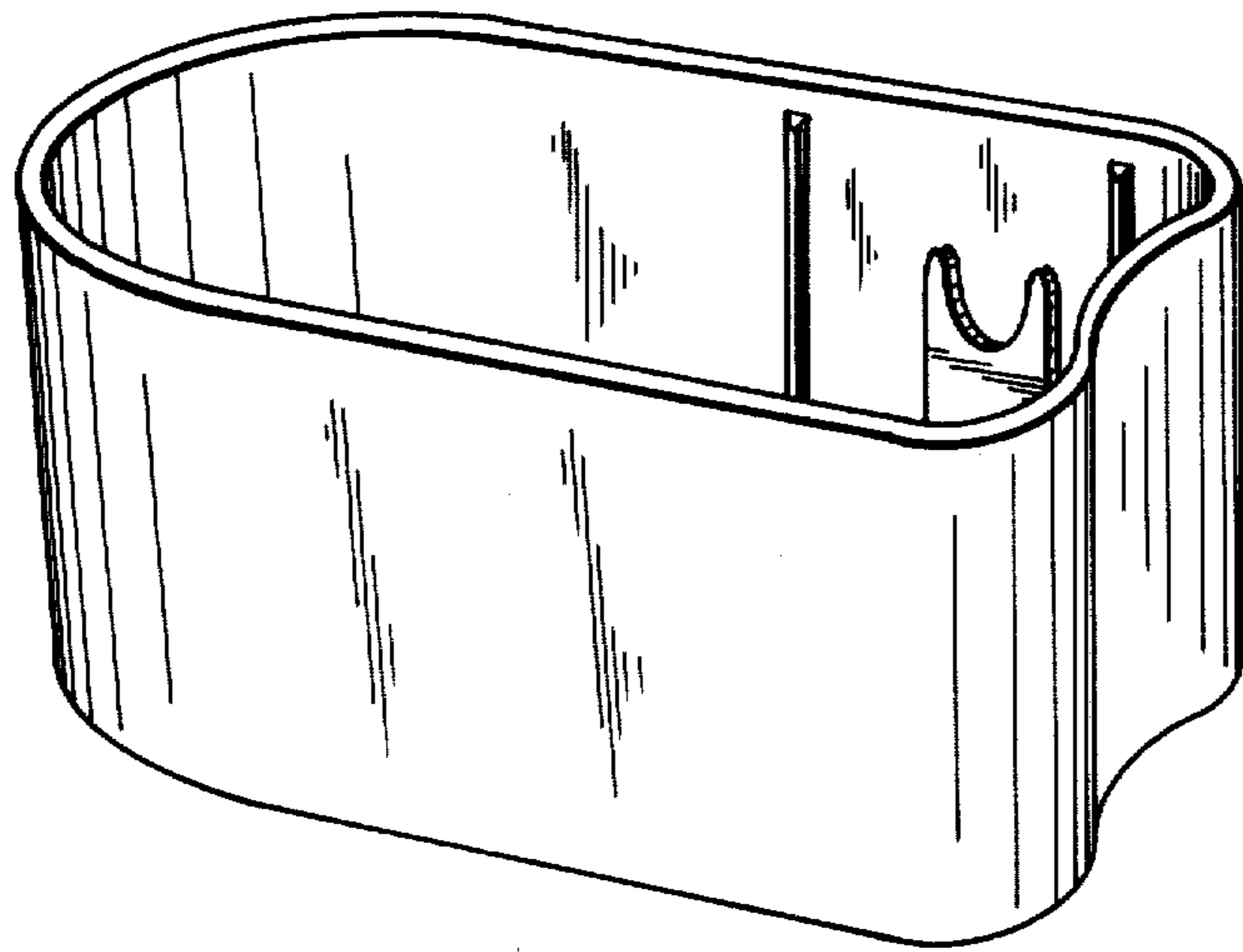


FIG. 5

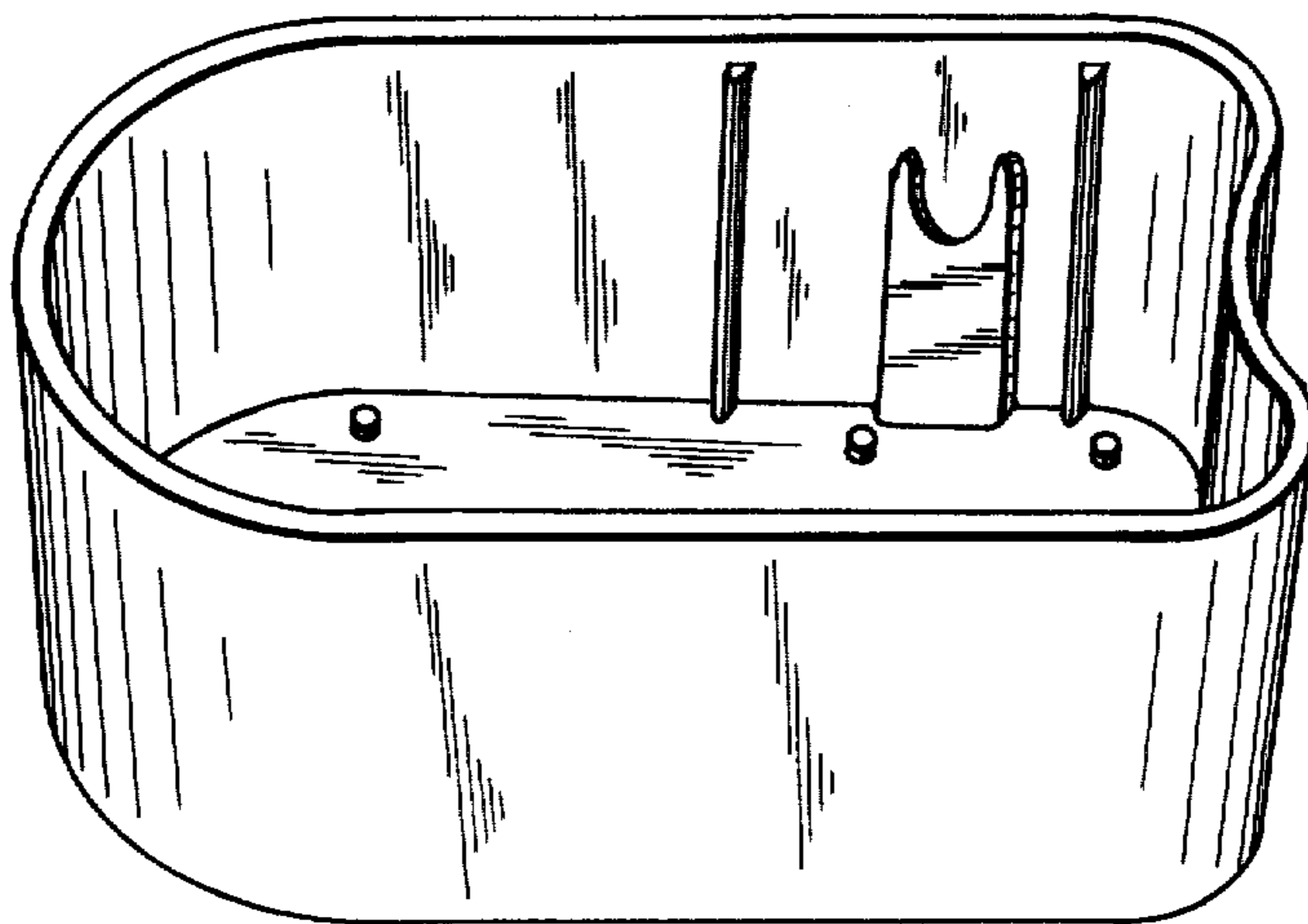


FIG. 2

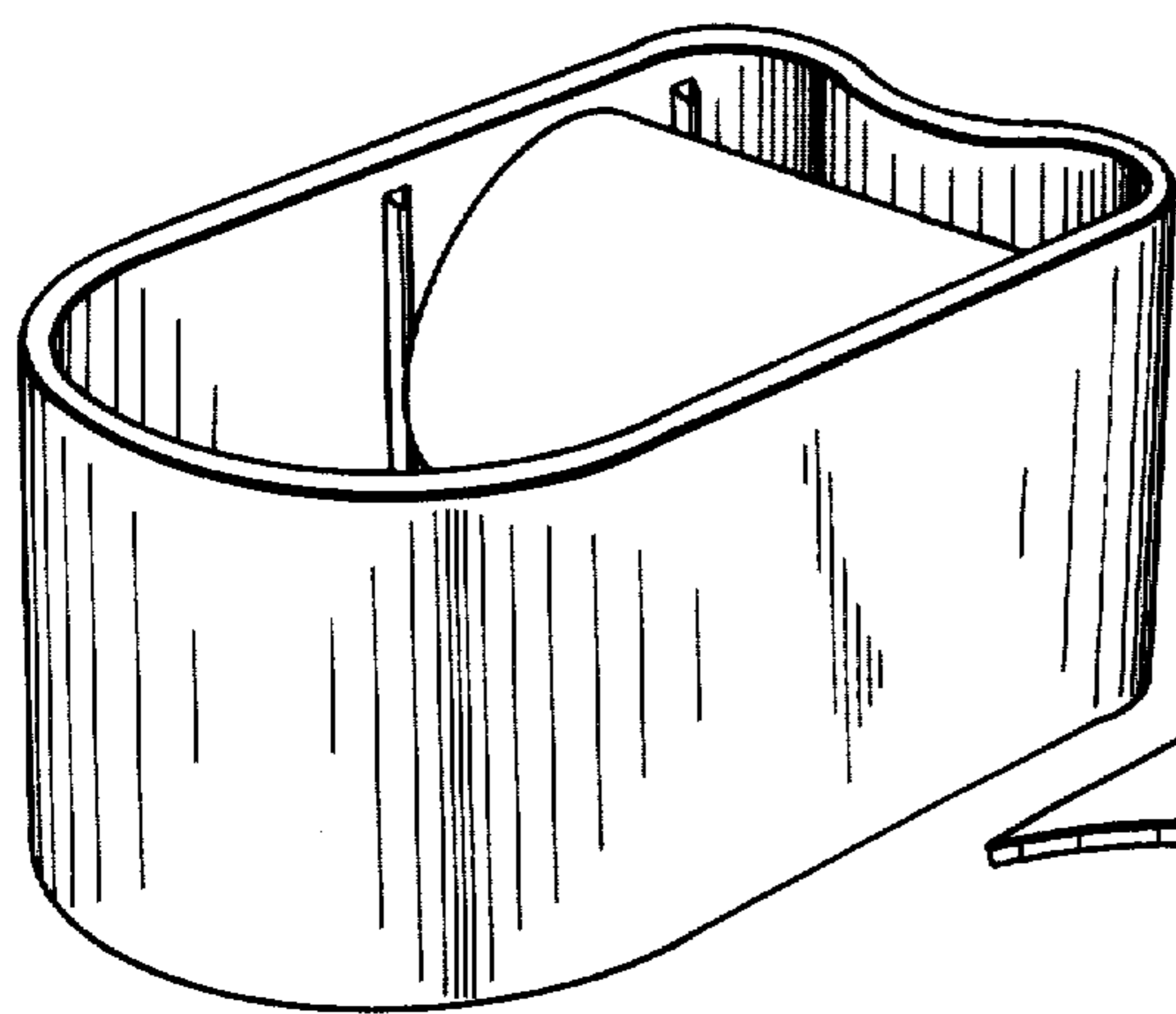
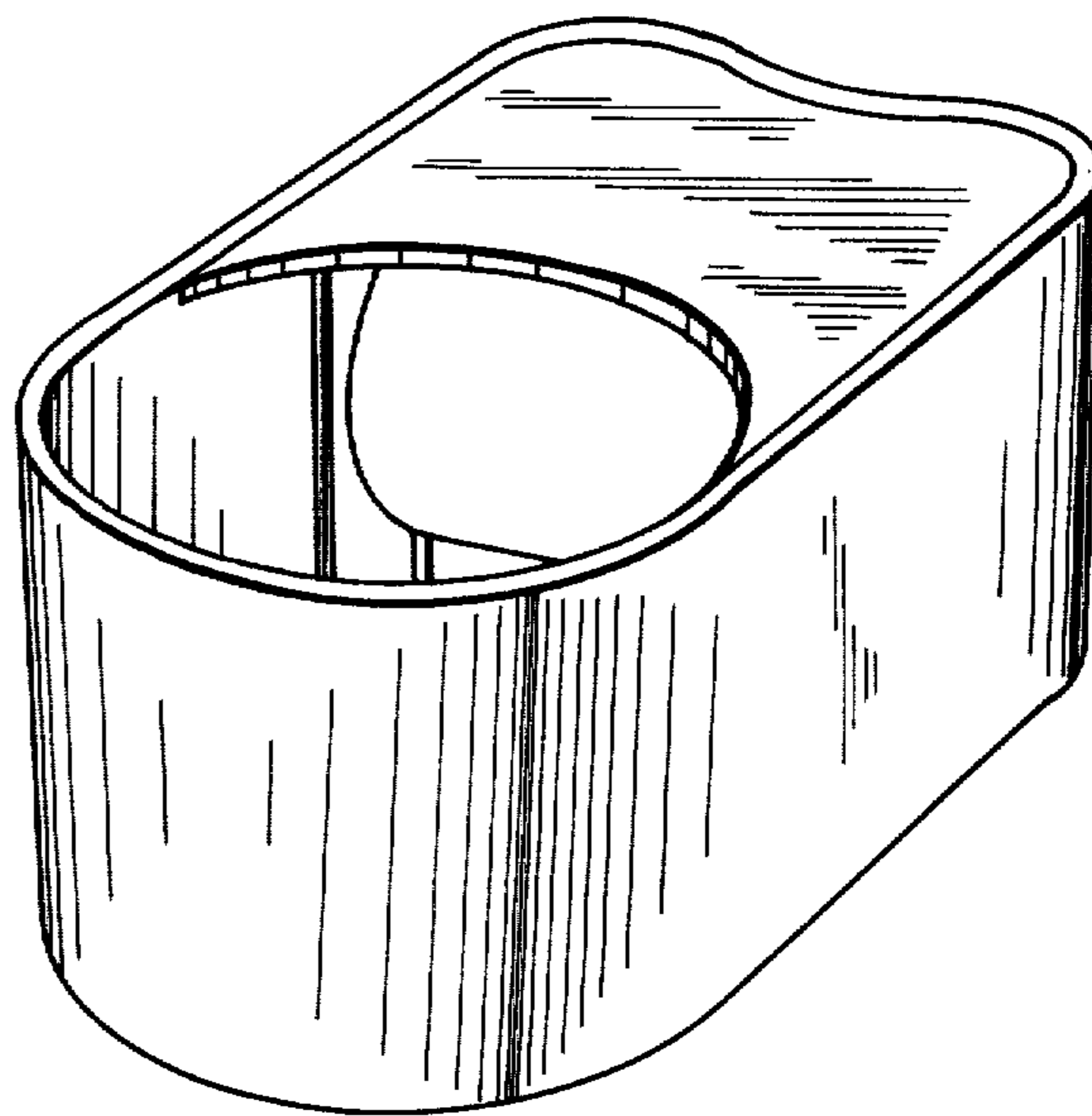


FIG. 3

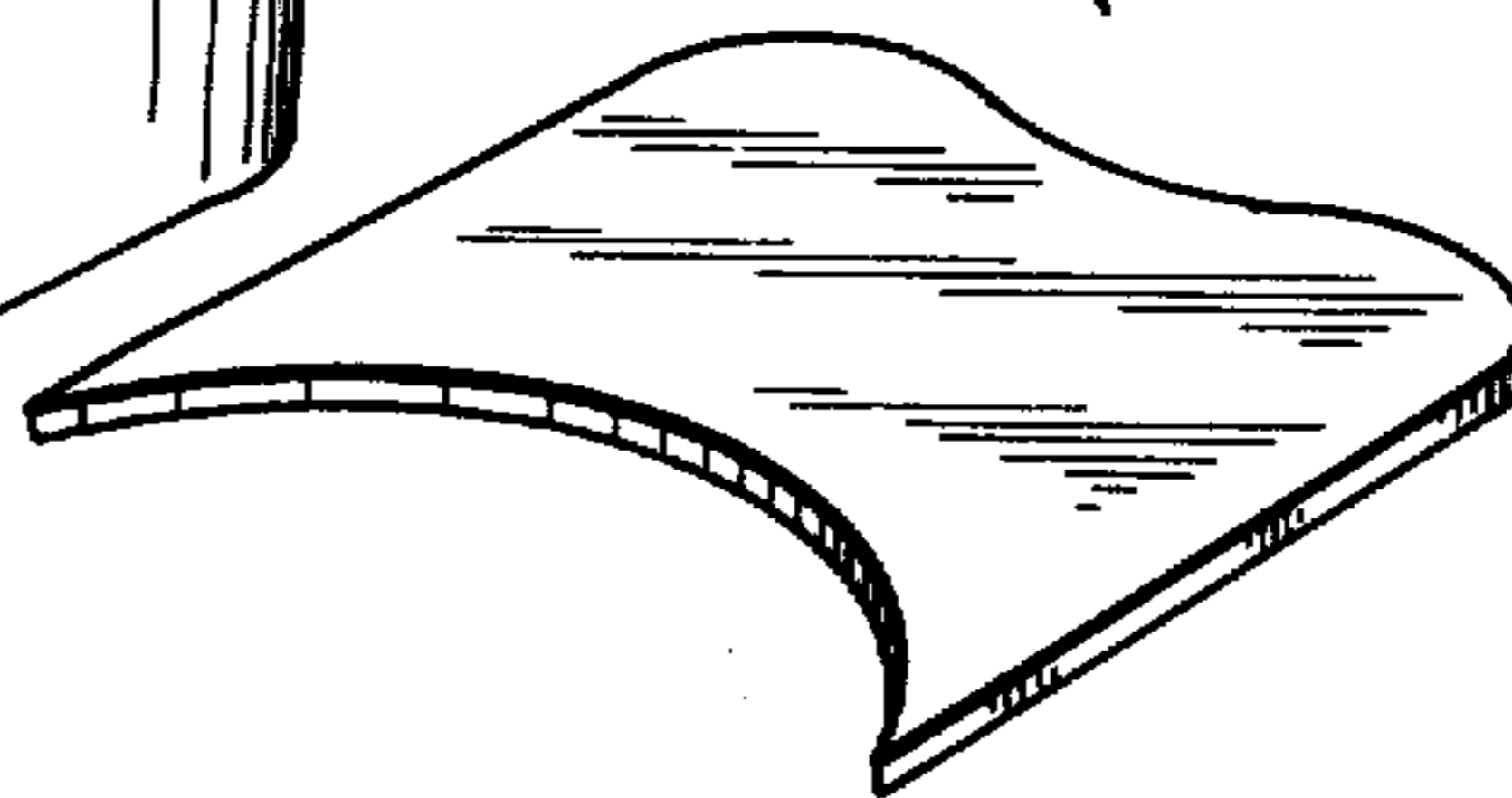


FIG. 4

