

[54] MULTI-USE ELECTRIC LIGHT

[76] Inventor: **Chuang-Yun Hsue**, No. 55, 4th Fl., Chih Yuan 1st Rd., Sec. 1, Pei Tou District, Taipei, Taiwan

[**] Term: **14 Years**

[21] Appl. No.: **193,282**

[22] Filed: **Oct. 2, 1980**

[51] Int. Cl. **D10-06; D26-02; D26-06**

[52] U.S. Cl. **D10/114; D26/28; D26/37**

[58] Field of Search **D26/24, 37-46, D26/48, 49, 50, 28; D10/114; 362/157, 184-191, 194-208, 258, 387; 340/81, 84, 87, 321, 88, 90**

[56] **References Cited**
U.S. PATENT DOCUMENTS

2,511,893 6/1950 Alden 340/90

2,905,925 9/1959 Whiteneck 340/84
3,622,979 11/1971 Dickerson 340/81

Primary Examiner—Susan J. Lucas

[57] **CLAIM**

The ornamental design for a multi-use electric light, as shown and described.

DESCRIPTION

FIG. 1 is a perspective view of a multi-use electric light showing my new design, the light being shown in open position;

FIG. 2 is a side elevation thereof, the light being shown on smaller scale in closed position and mounted on the roof of a motor vehicle shown in broken lines for illustrative purposes only;

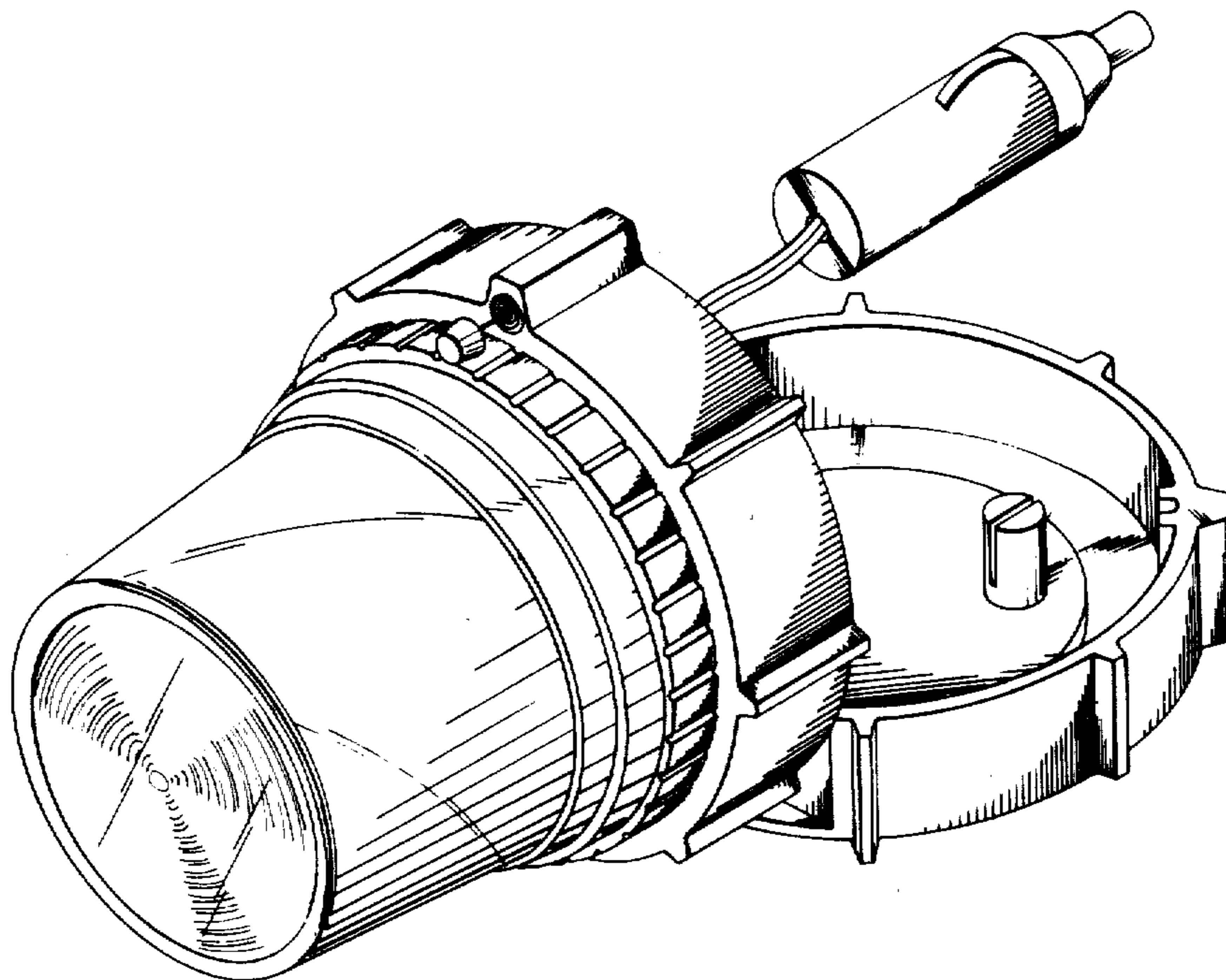
FIG. 3 is a side elevation of FIG. 1, the opposite side being a mirror image thereof;

FIG. 4 is a front elevation thereof;

FIG. 5 is a rear elevation thereof;

FIG. 6 is a top plan view thereof; and

FIG. 7 is a bottom view thereof.



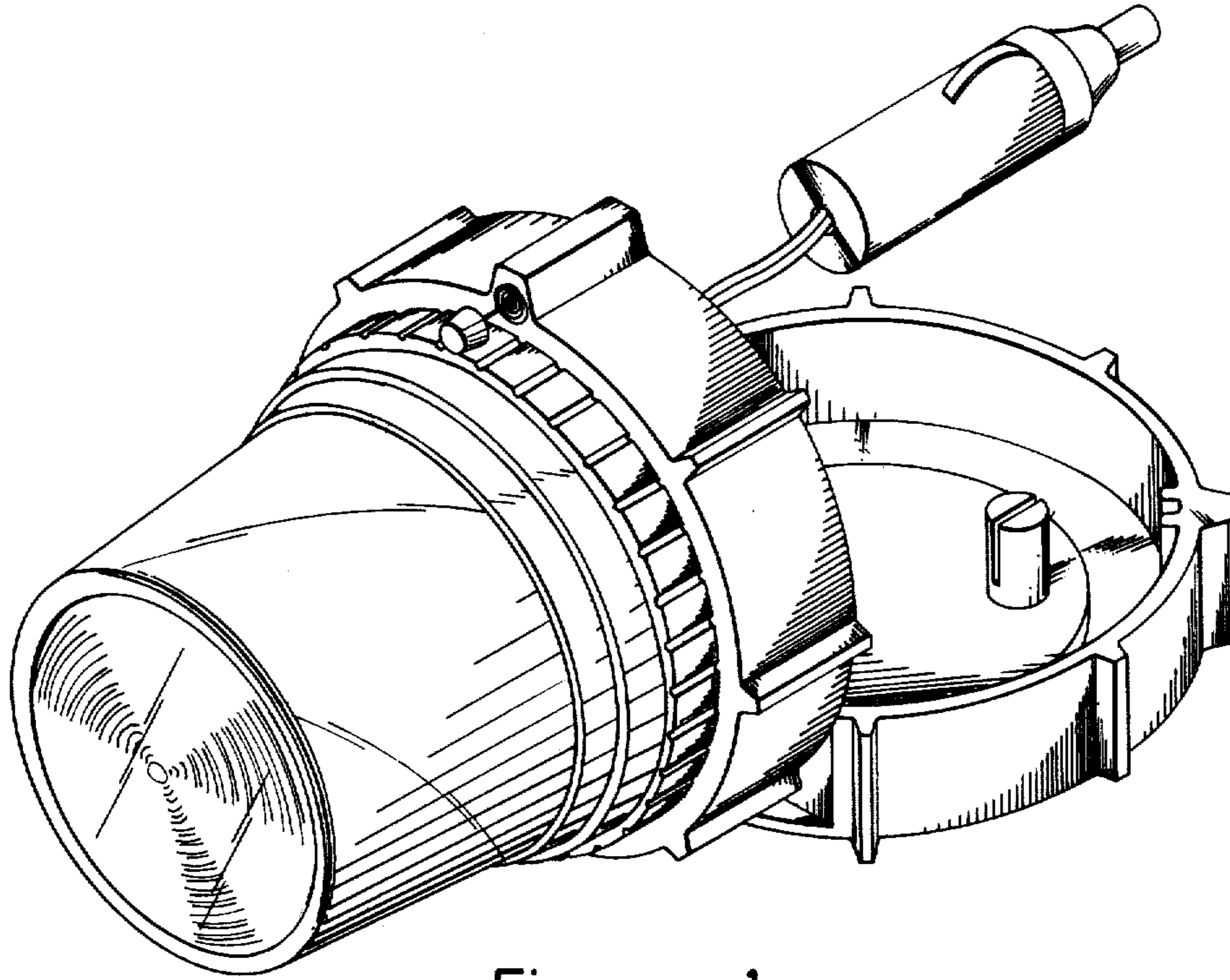


Fig. 1

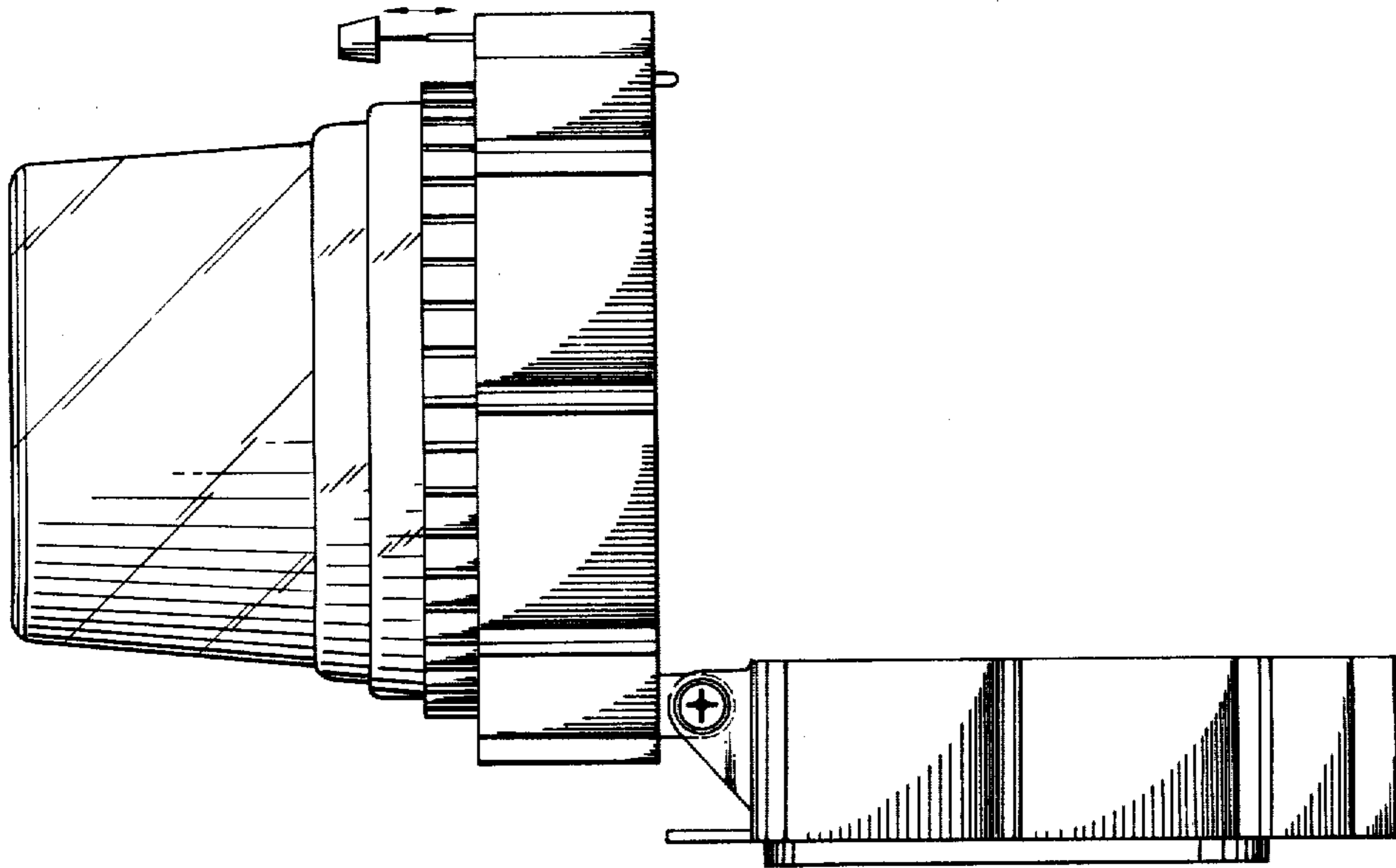


Fig. 3

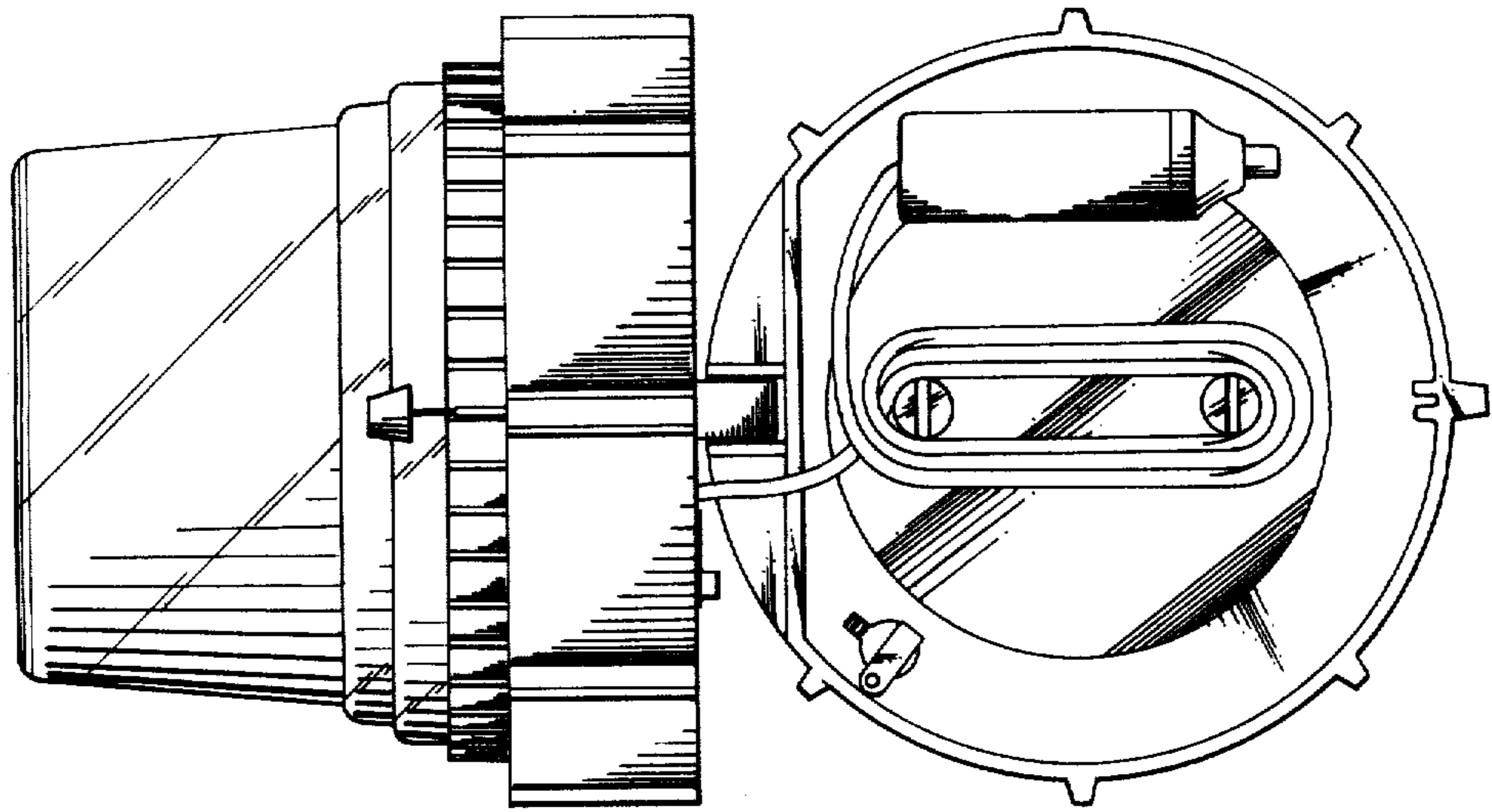


Fig. 6

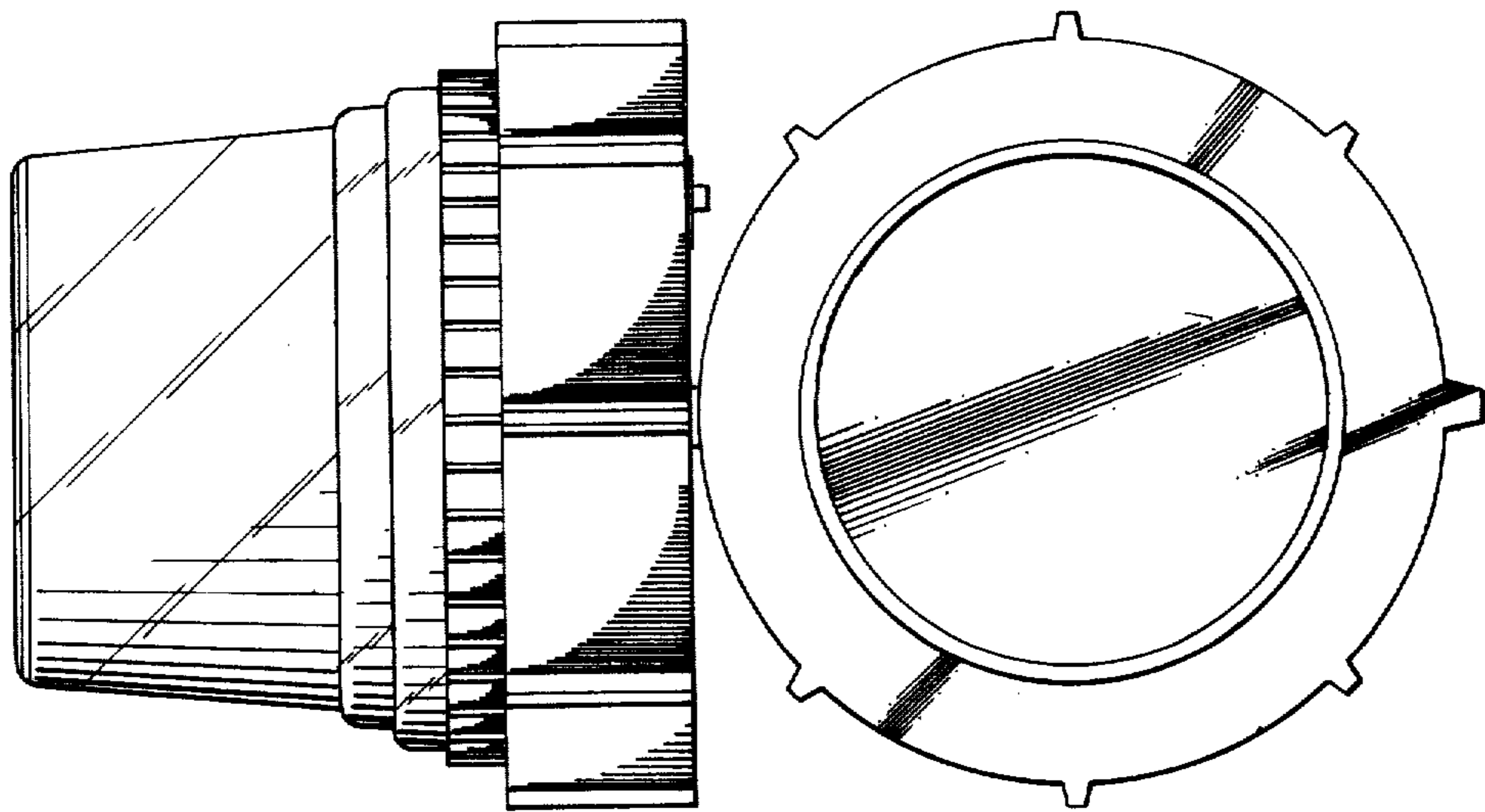


Fig. 7

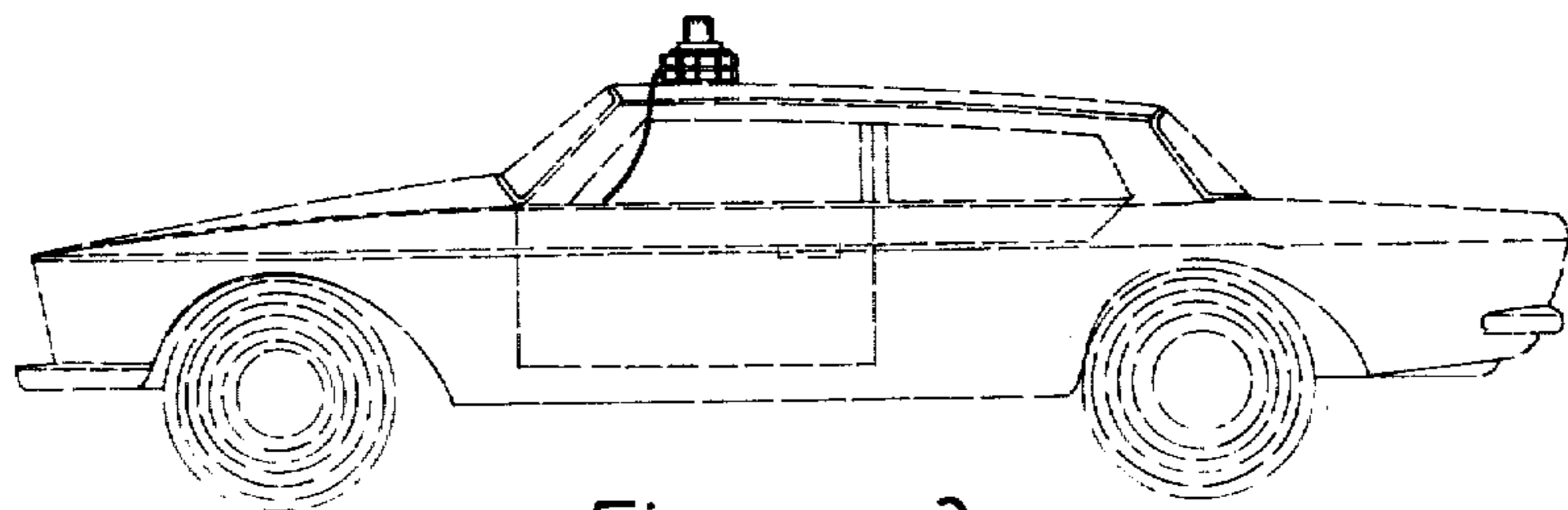


Fig. 2

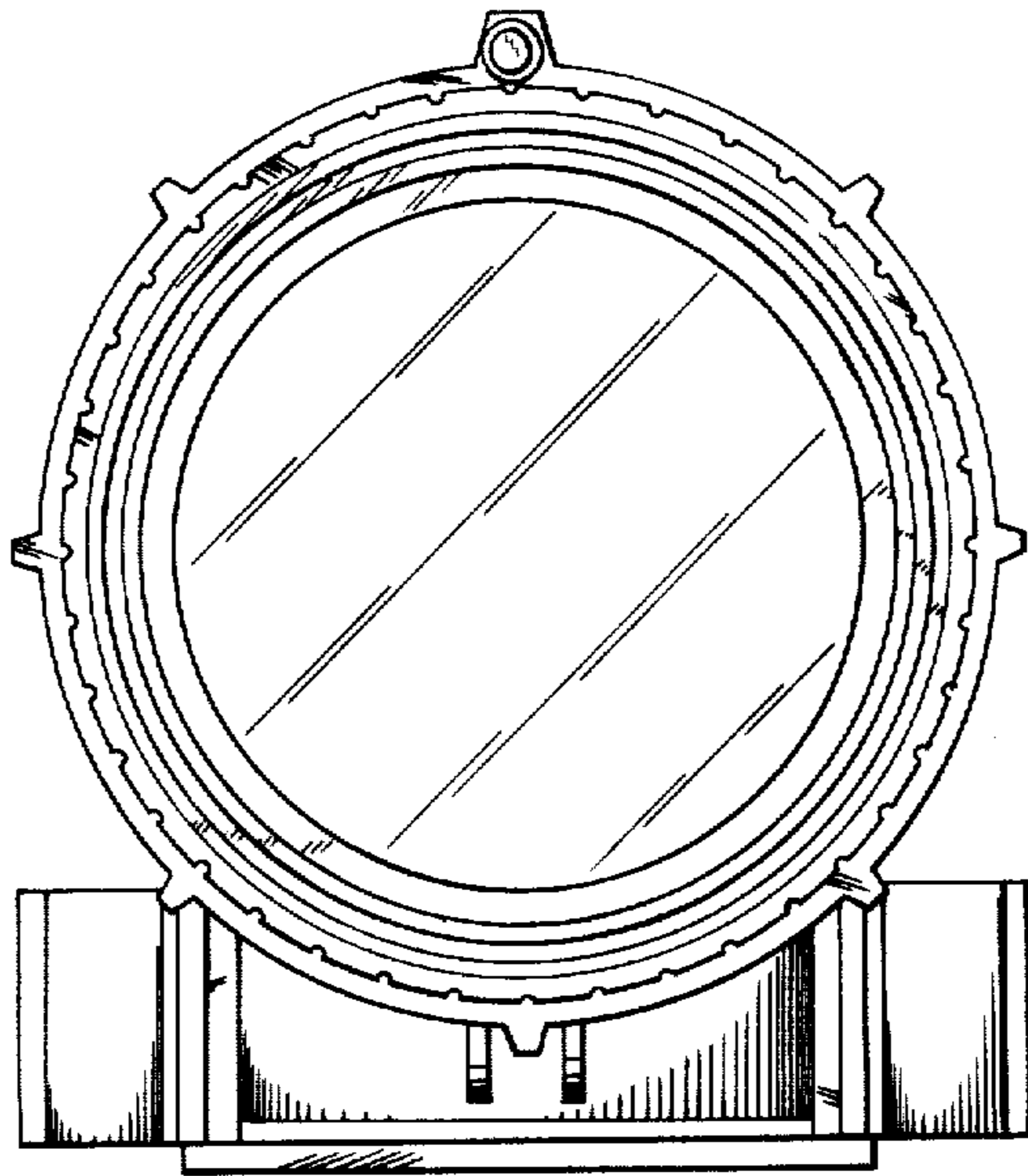


Fig. 4

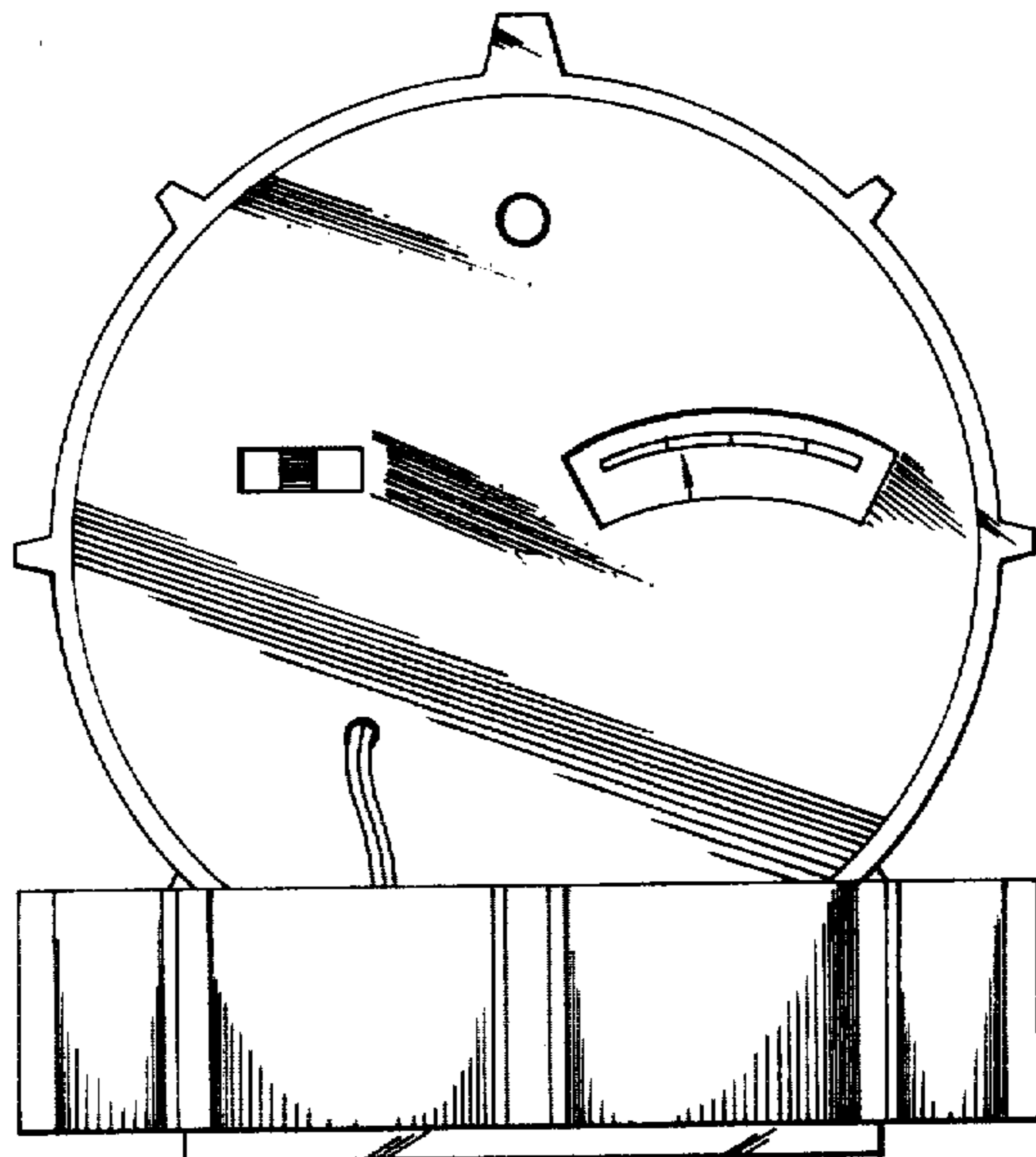


Fig. 5