

[54] LENS METER

[75] Inventor: Toshio Nakayama, Tokyo, Japan

[73] Assignee: Tokyo Kogaku Kikai Kabushiki, Tokyo, Japan

[**] Term: 14 Years

[21] Appl. No.: 176,022

[22] Filed: Aug. 7, 1980

[30] Foreign Application Priority Data

Mar. 14, 1980 [JP] Japan 55-9756

[51] Int. Cl. D10-04

[52] U.S. Cl. D10/46

[58] Field of Search D10/46, 61, 64; 33/174 A; 356/124, 125, 126, 127

[56] References Cited

U.S. PATENT DOCUMENTS

- D. 151,951 12/1948 Armbruster D10/46
- D. 154,734 8/1949 Anderson D10/46
- D. 168,528 1/1953 Back D10/46

- D. 176,064 11/1955 De Grave D10/46
- D. 192,615 4/1962 Armbruster D10/46
- D. 205,962 10/1966 Glenn D10/46 X
- D. 253,043 10/1979 Gelius D10/46
- 3,002,285 10/1961 Wright 33/174 A X
- 3,049,766 8/1962 Buckminister 33/174 A X
- 4,123,163 10/1978 Chace 356/125
- 4,203,666 5/1980 Ii et al. 356/124

Primary Examiner—Nelson C. Holtje
Attorney, Agent, or Firm—Brumbaugh, Graves, Donohue & Raymond

[57] CLAIM

The ornamental design for a lens meter, substantially as shown.

DESCRIPTION

FIG. 1 is a right front perspective view of a lens meter showing my new design;
FIG. 2 is a front elevational view thereof;
FIG. 3 is a rear elevational view thereof;
FIG. 4 is a left side elevational view thereof;
FIG. 5 is a right side elevational view thereof;
FIG. 6 is a top plan view thereof;
FIG. 7 is a bottom plan view thereof.

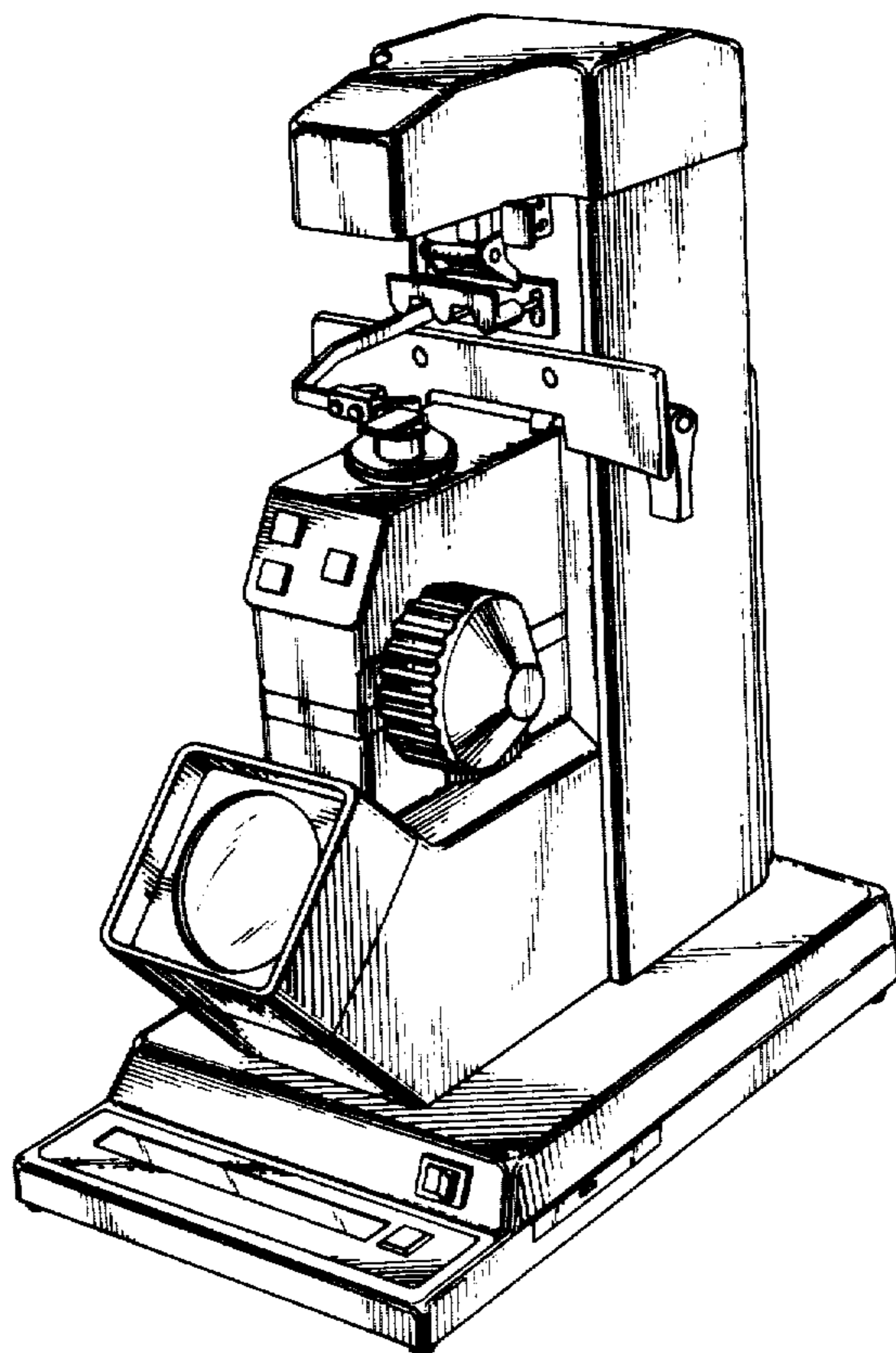


FIG. 1

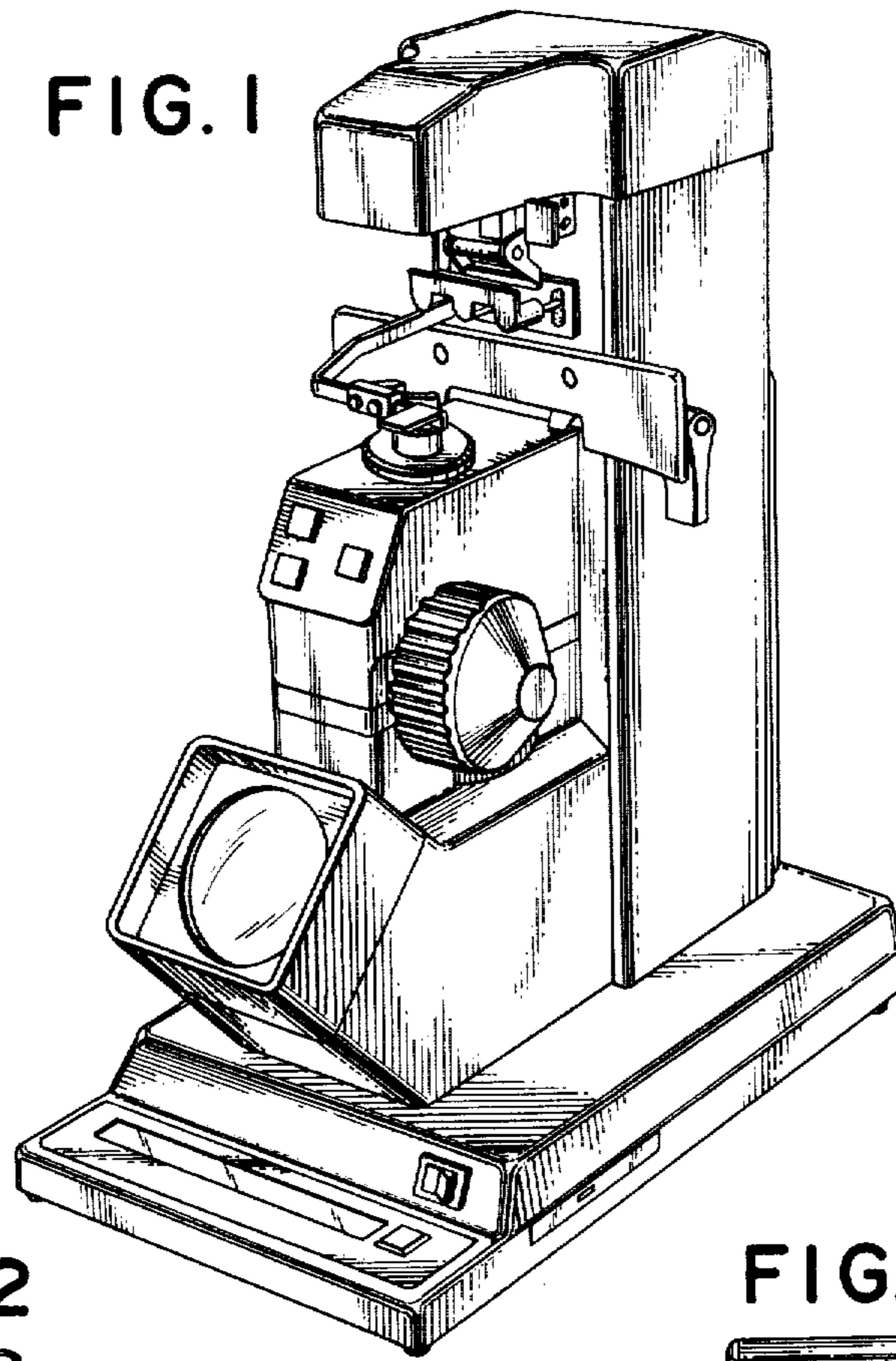


FIG. 2

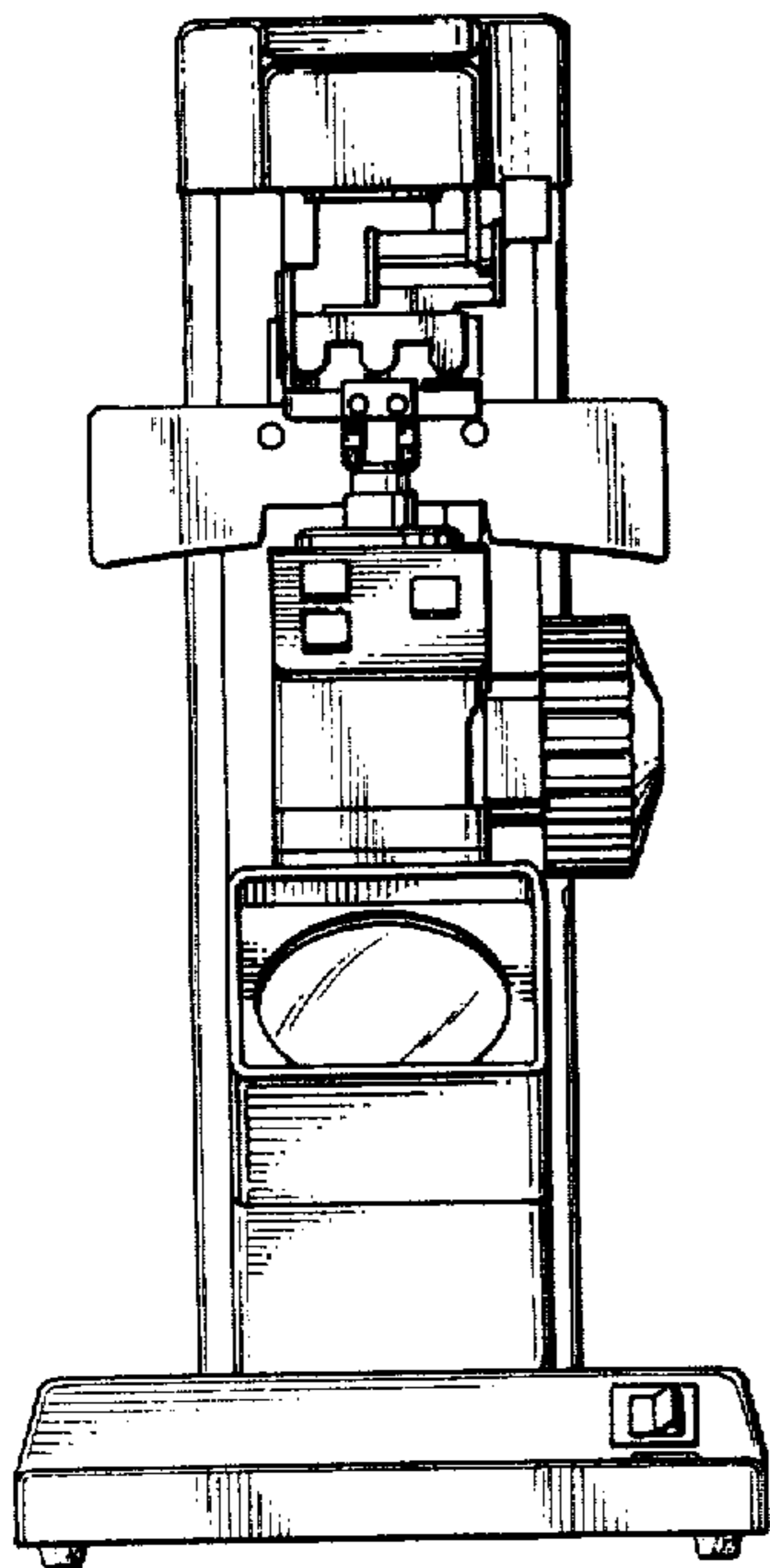


FIG. 3

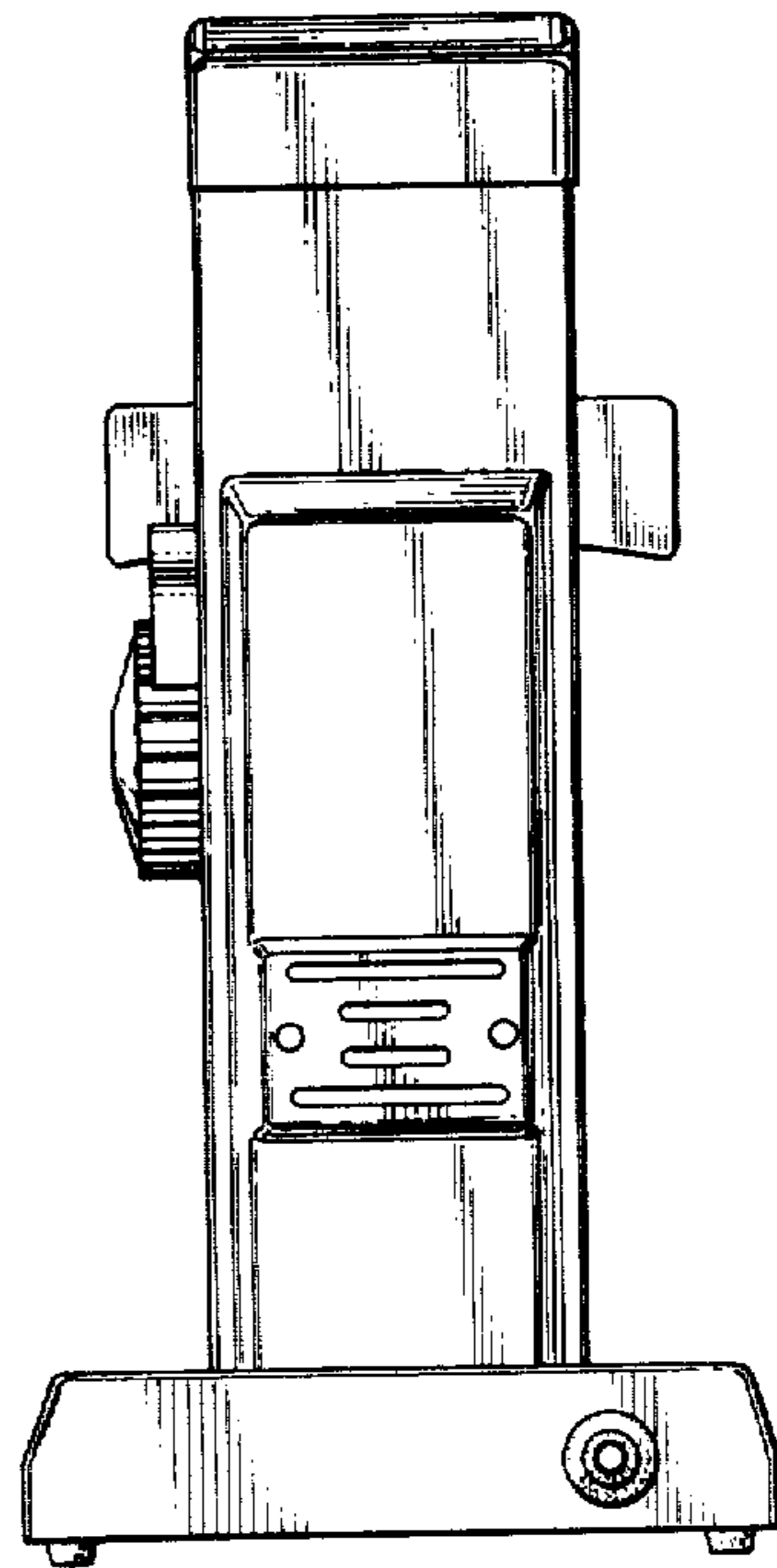


FIG. 4

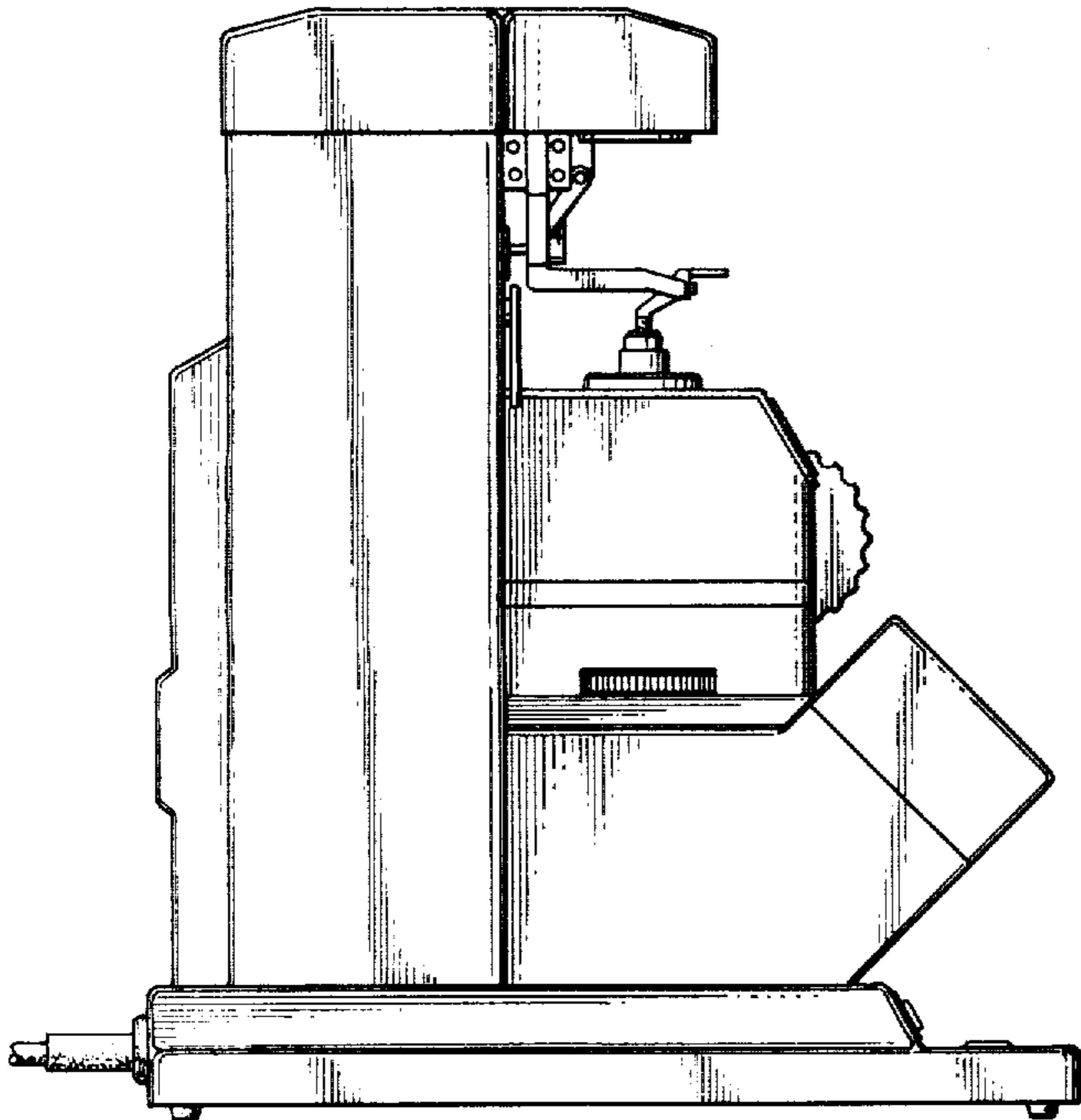


FIG. 6

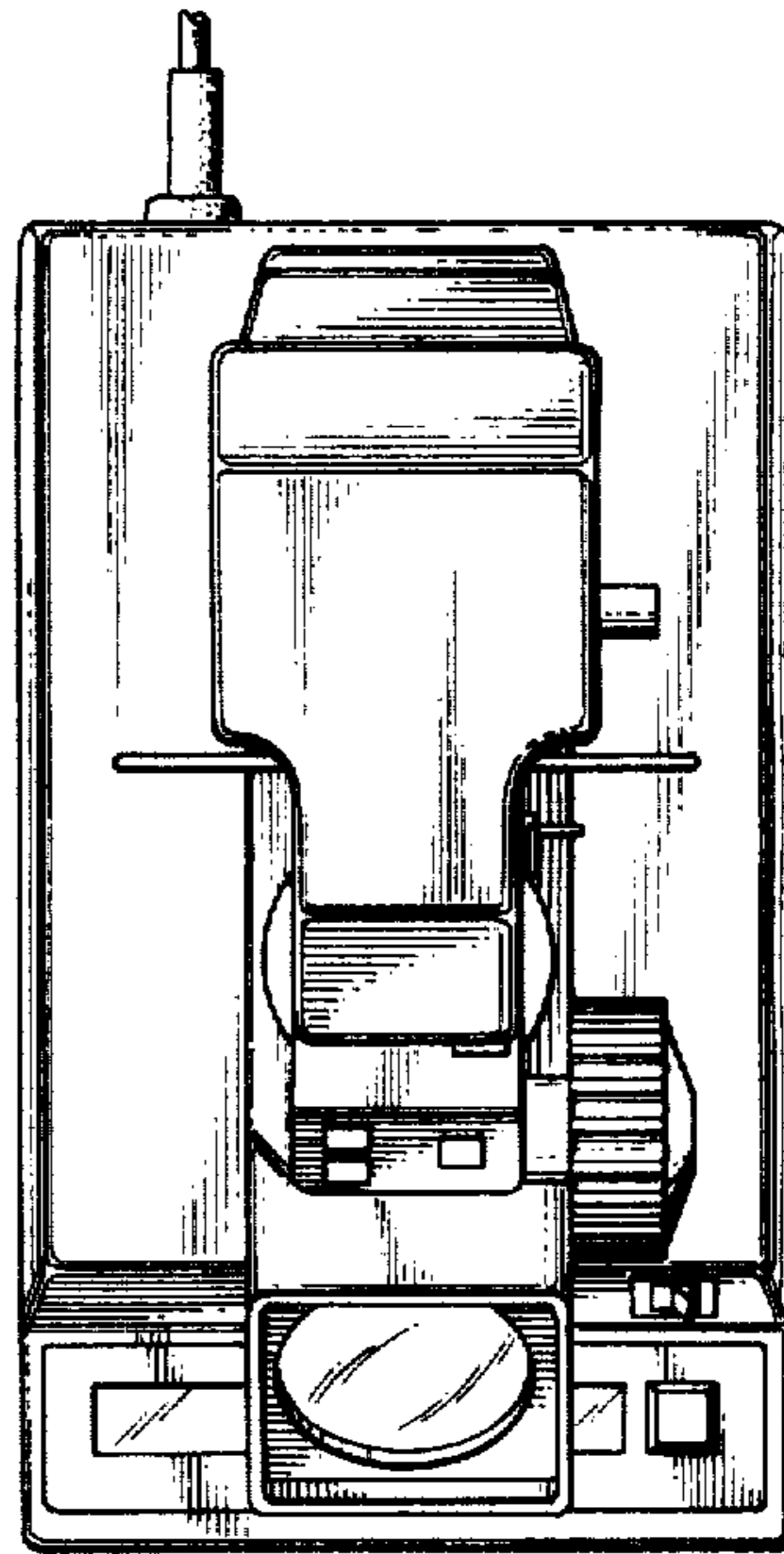


FIG. 5

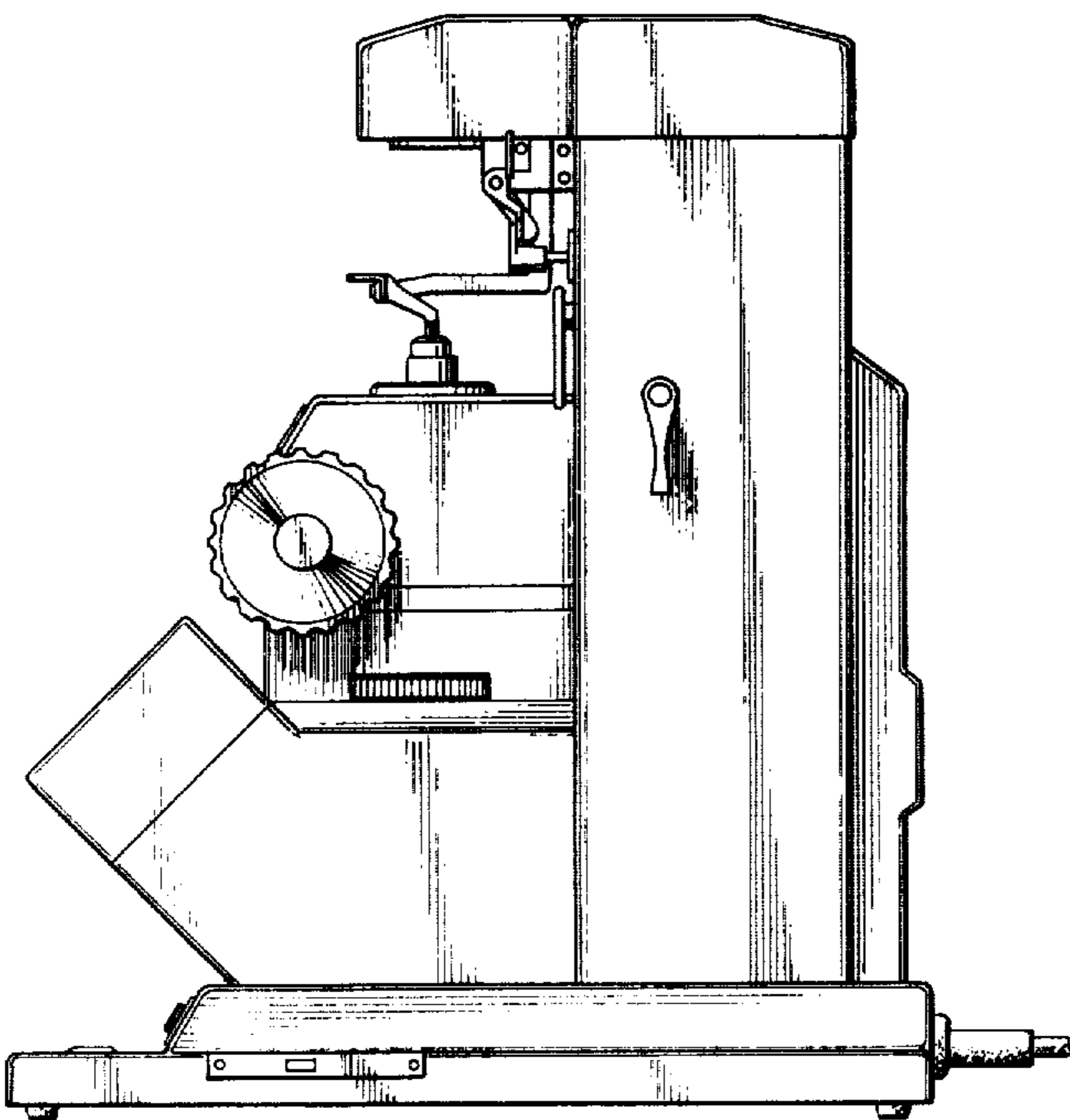


FIG. 7

