

[54] COMBINED CLOCK AND PICTURE FRAME

[75] Inventor: Clyde W. Powell, Roan Mountain, Tenn.

[73] Assignee: Alpine Enterprises, Inc., Roan Mountain, Tenn.

[\*\*] Term: 14 Years

[21] Appl. No.: 26,219

[22] Filed: Apr. 2, 1979

[51] Int. Cl. .... D10-01

[52] U.S. Cl. .... D10/2

[58] Field of Search ..... D10/2, 24-26, D10/122-126; D6/232, 234, 236, 237, 241-246; 368/276, 278, 280, 285, 10; D20/20

[56] References Cited

U.S. PATENT DOCUMENTS

D. 1,547 2/1863 Woodruff ..... D10/26

D. 86,023	1/1932	Harrison	.....	D10/26
D. 102,514	12/1936	Van Bloem	.....	D10/2
D. 102,515	12/1936	Van Bloem	.....	D10/2
D. 150,081	6/1948	Mandel	.....	D10/2
D. 182,682	4/1958	Nelson	.....	D10/2
D. 228,405	9/1973	Pollard	.....	D10/2
D. 248,626	7/1978	Lucich	.....	D10/2

Primary Examiner—Nelson C. Holtje  
Attorney, Agent, or Firm—Jacox & Meckstroth

[57] CLAIM

The new and ornamental design for a combined clock and picture frame, substantially as shown and described.

DESCRIPTION

FIG. 1 is a front elevational view of a combined clock and picture frame showing my new design; FIG. 2 is a rear elevational view thereof; FIG. 3 is a right side elevational view thereof; FIG. 4 is a left side elevational view thereof; FIG. 5 is a top plan view thereof.

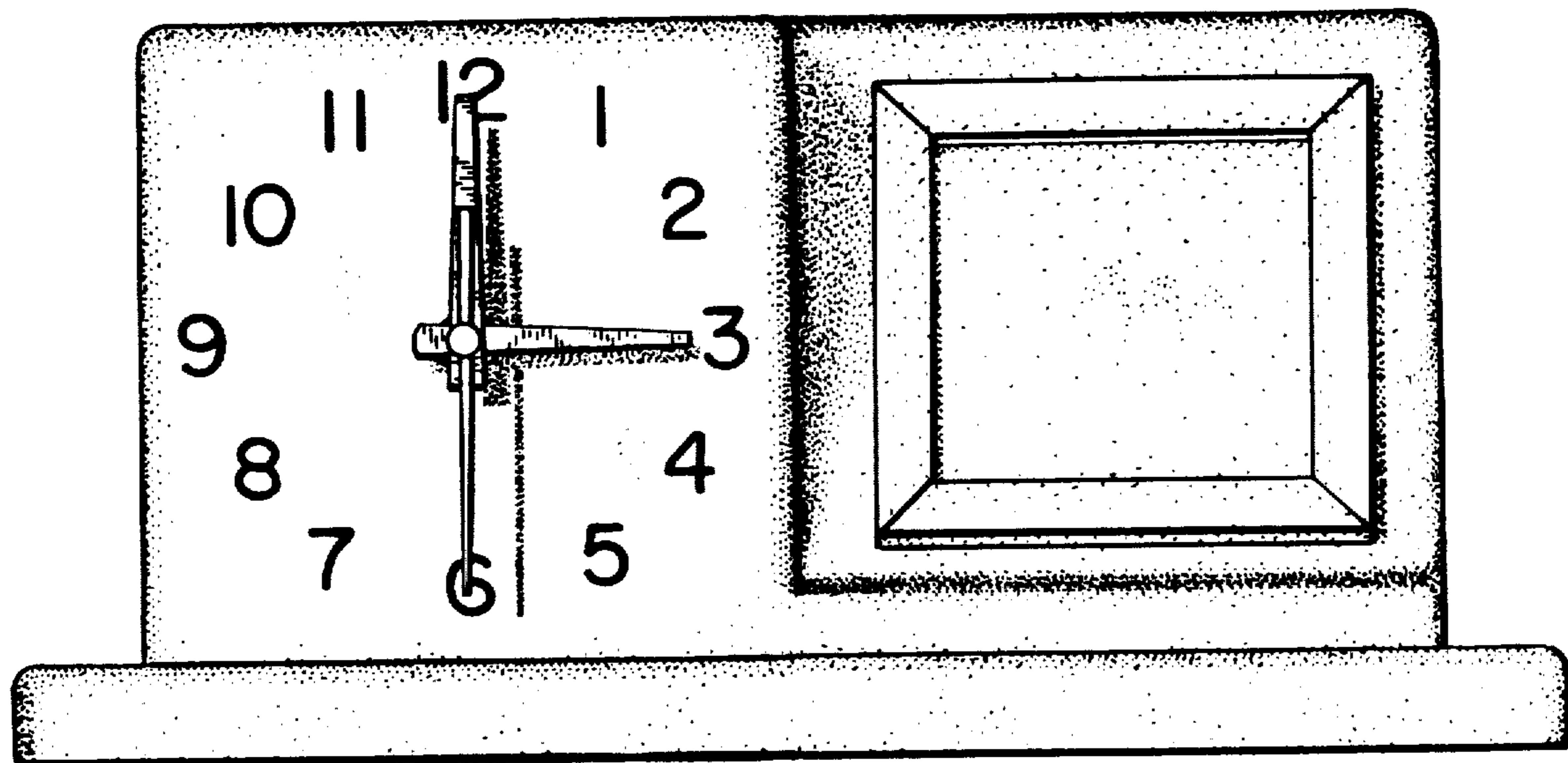


FIG-1

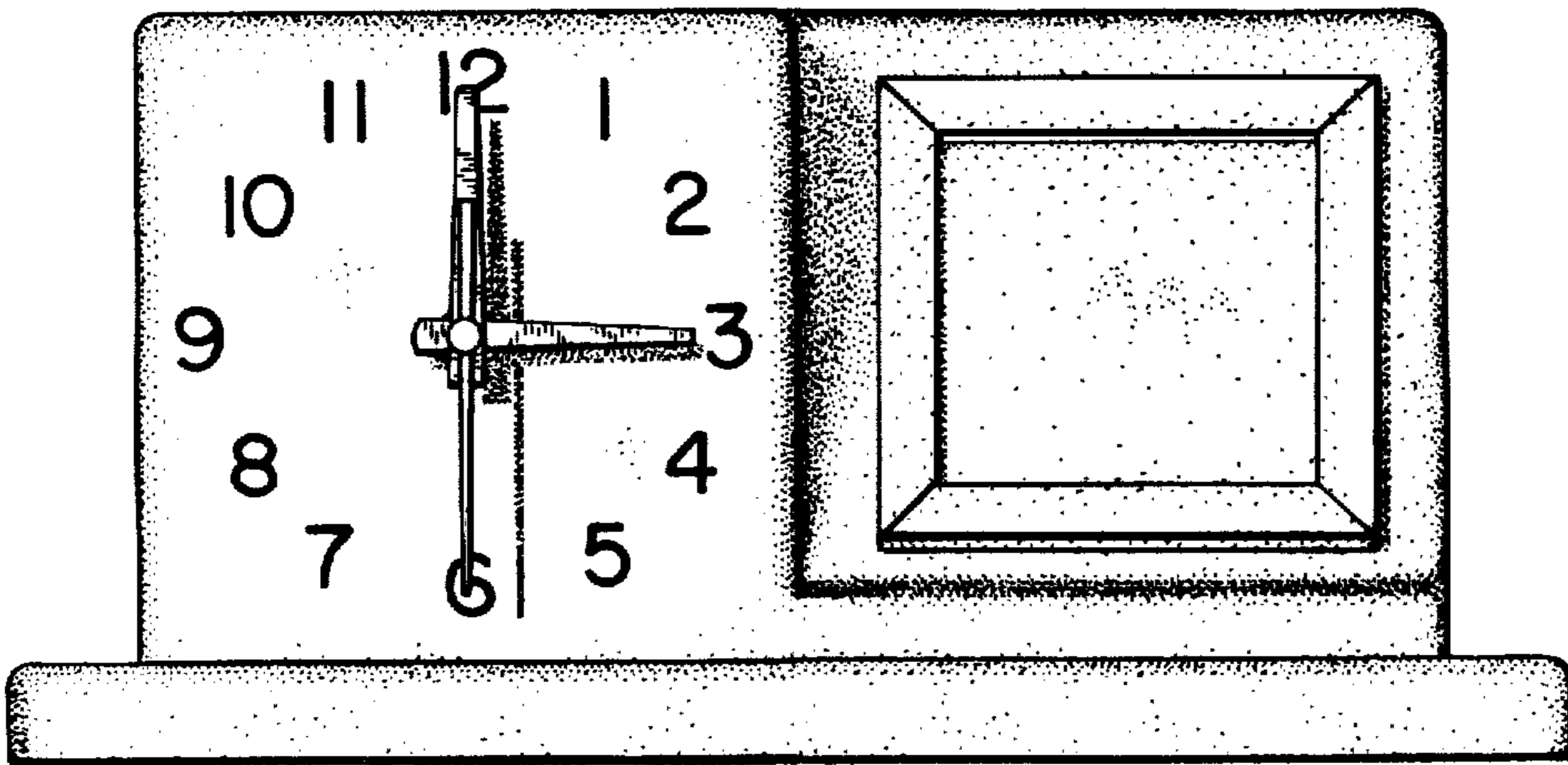


FIG-2

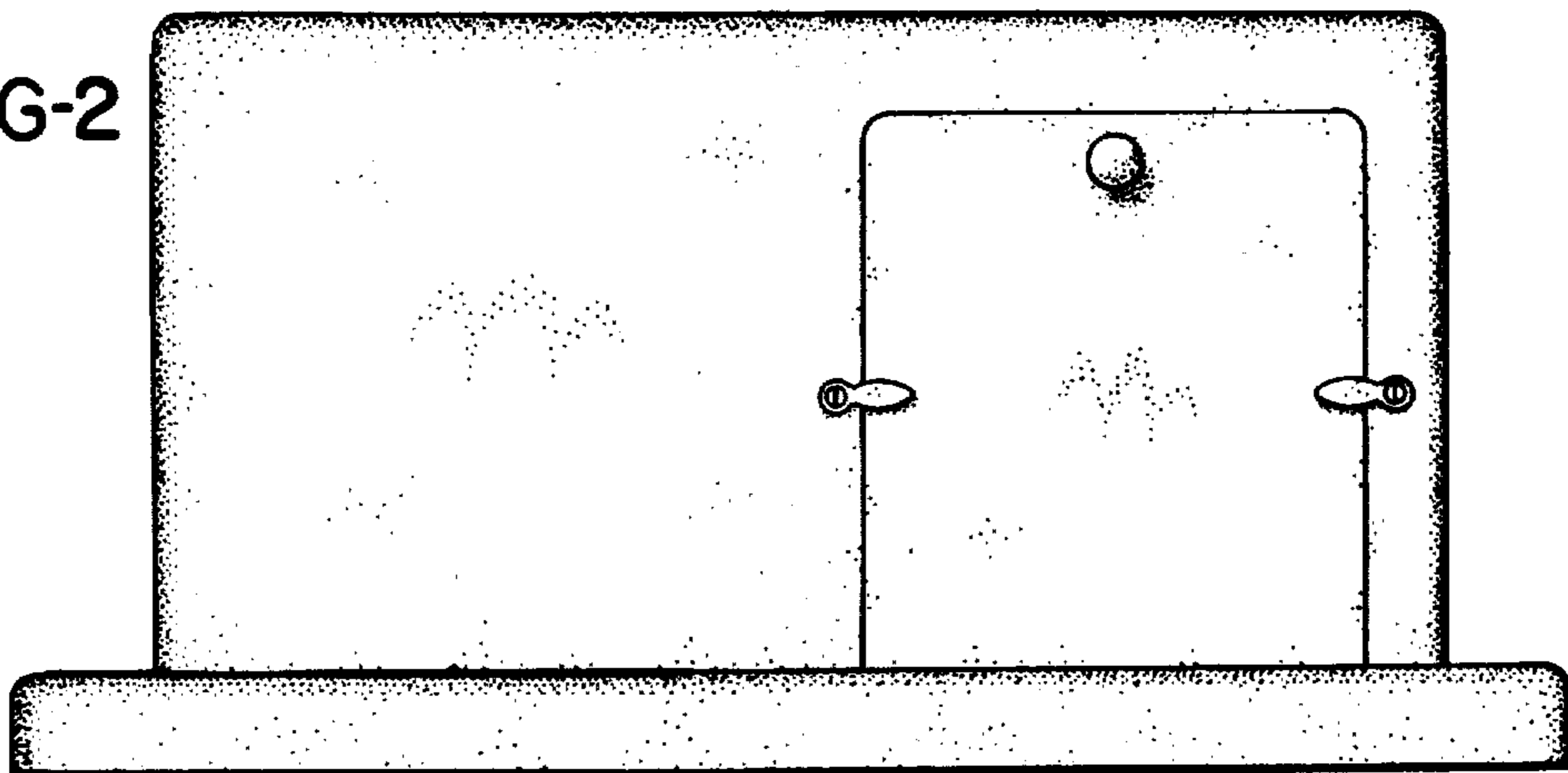


FIG-3

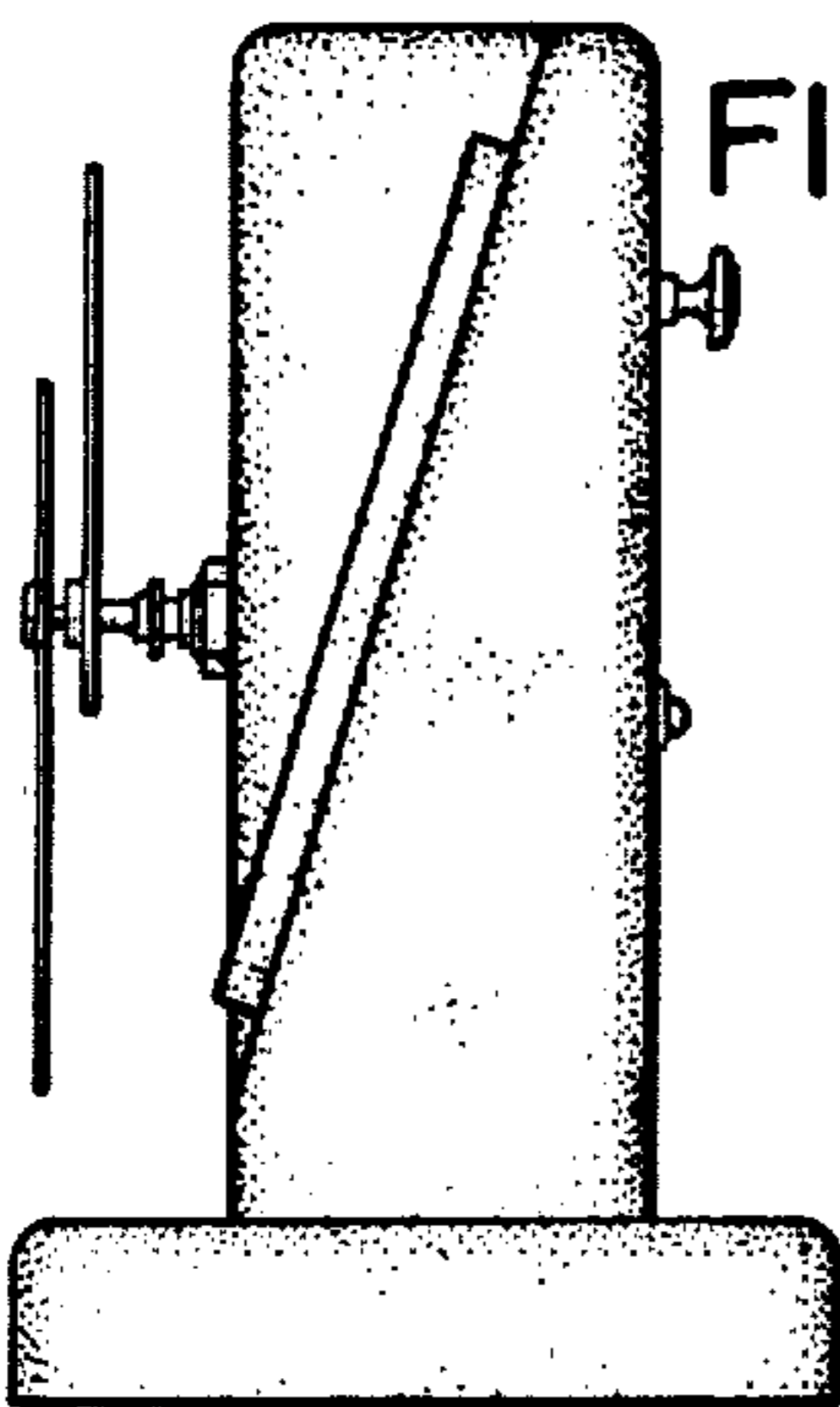


FIG-4

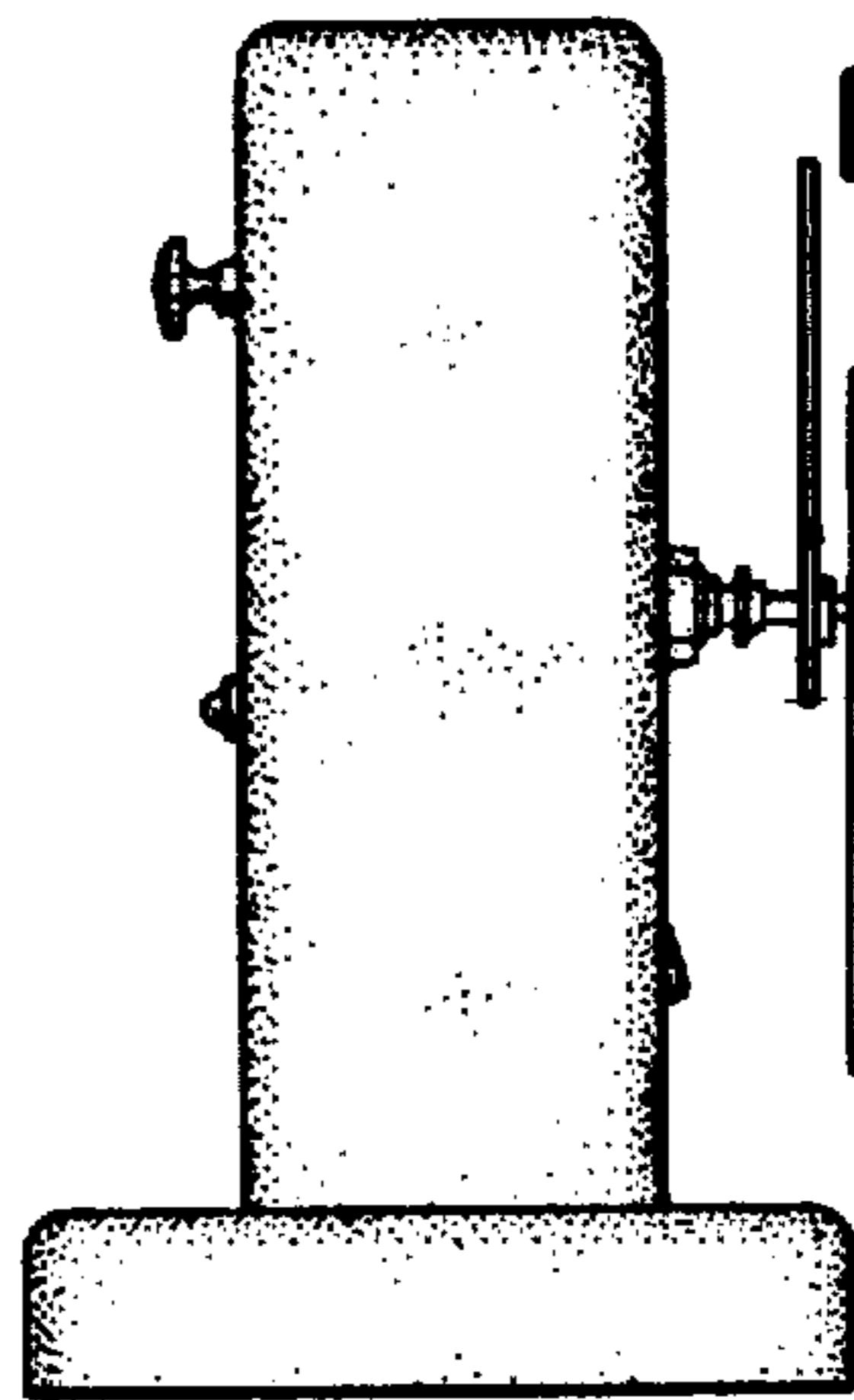


FIG-5

