

[54] BUCKLE ASSEMBLY FOR TIGHTENING STRAP

[75] Inventor: Ernest Prete, Jr., Woodland Hills, Calif.

[73] Assignee: Ancra Corporation, El Segundo, Calif.

[**] Term: 14 Years

[21] Appl. No.: 179,100

[22] Filed: Aug. 18, 1980

[51] Int. Cl. D8-08

[52] U.S. Cl. D8/383

[58] Field of Search 24/19, 68 E, 170; D8/44, 383, 395; D2/380, 405

[56] References Cited

U.S. PATENT DOCUMENTS

D. 209,013	10/1967	McElroy	D8/383
2,997,761	8/1961	Davis	24/68 E
3,252,188	5/1966	Davis	24/68 E
4,136,422	1/1979	Ivanov et al.	24/68 E X

FOREIGN PATENT DOCUMENTS

2231324	1/1974	Fed. Rep. of Germany	24/68 E
878051	9/1961	United Kingdom	24/68 E

Primary Examiner—A. Hugo Word
Attorney, Agent, or Firm—Edward A. Sokolski

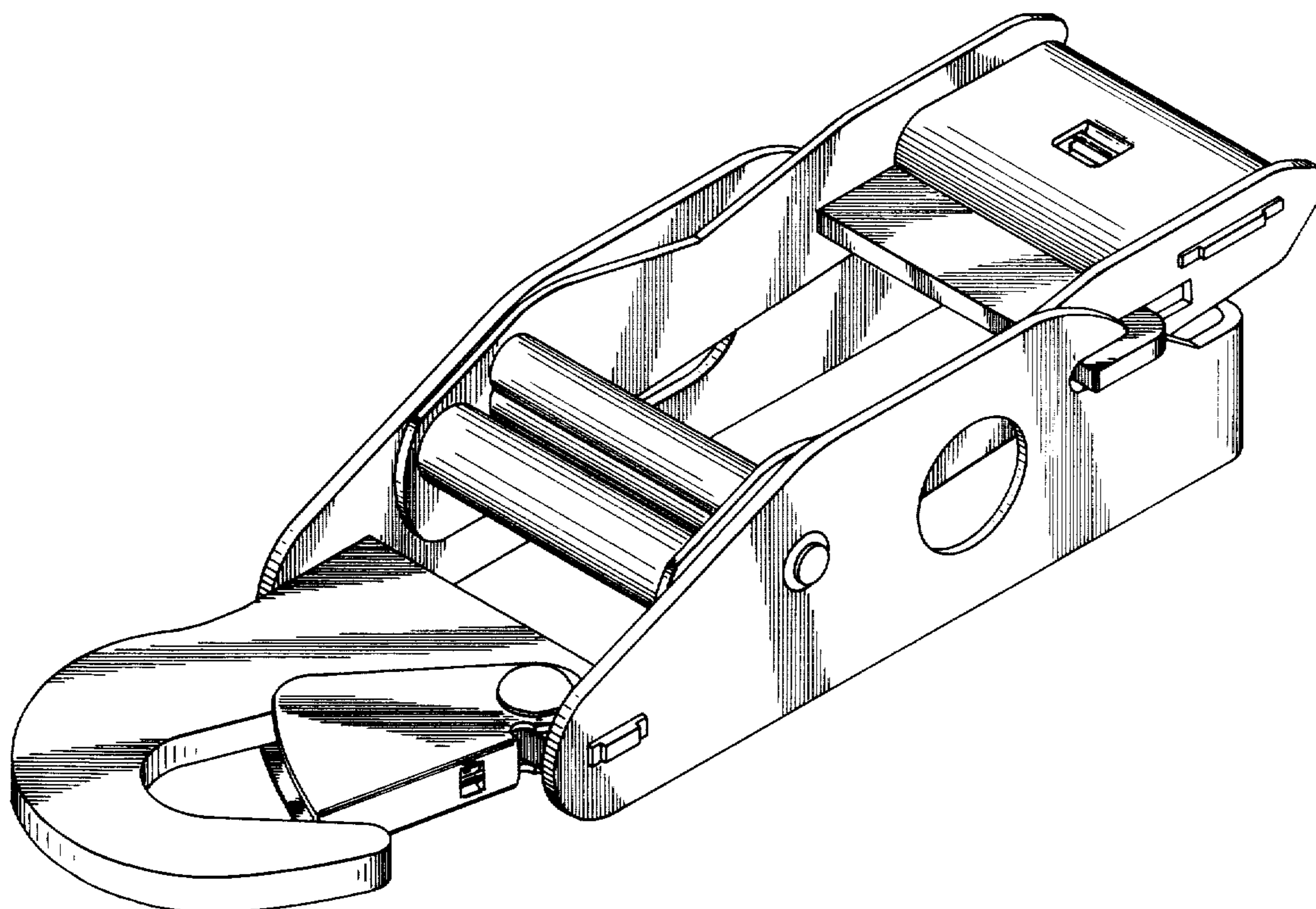
[57] CLAIM

The ornamental design for a buckle assembly for tightening strap, as shown and described.

DESCRIPTION

FIG. 1 is a top plan view showing my new design for a buckle assembly for tightening strap; FIG. 2 is a side elevational view thereof; FIG. 3 is an end elevational view thereof; FIG. 4 is a bottom plan view thereof; FIG. 5 is a side elevational view thereof of the side opposite to that shown in FIG. 2; FIG. 6 is an end elevational view thereof of the end opposite to that shown in FIG. 3; FIG. 7 is a perspective view thereof; and FIG. 8 is a perspective view of a second embodiment of my new design.

The second embodiment of the invention is the same as the first except for the hook which appears at one end thereof in lieu of a crossbar. The side of the hook opposite to that shown in FIG. 8 is the mirror image thereof.



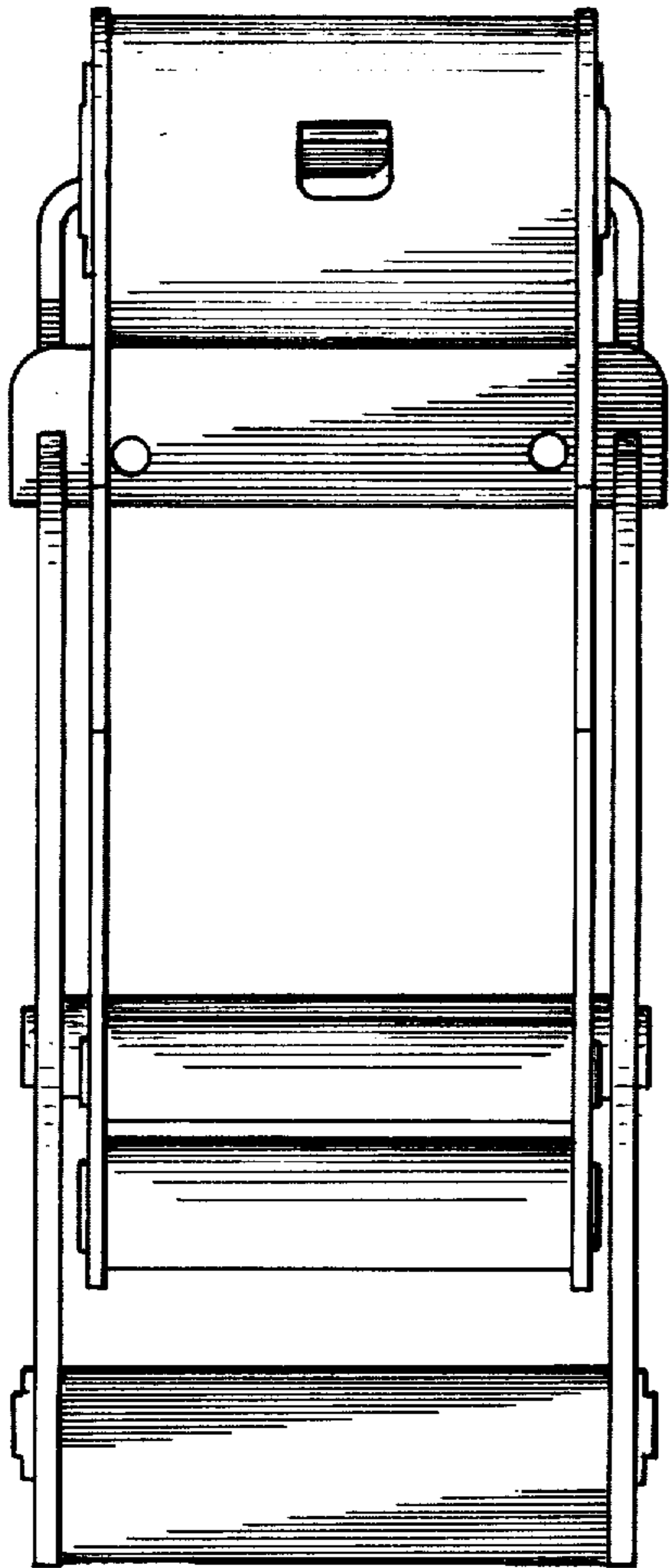


FIG. 1

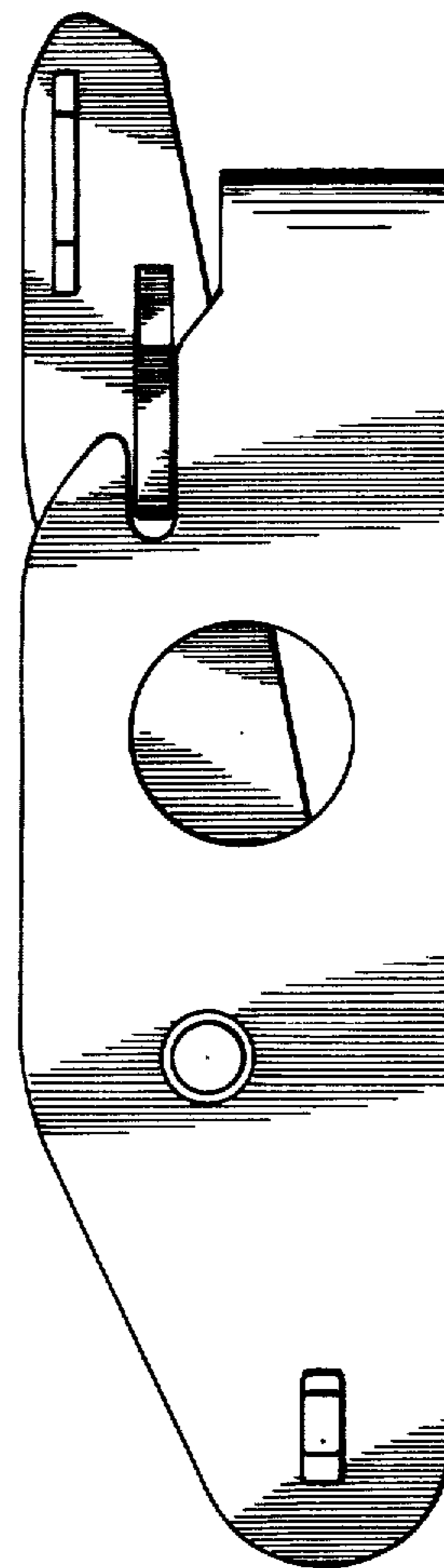


FIG. 2

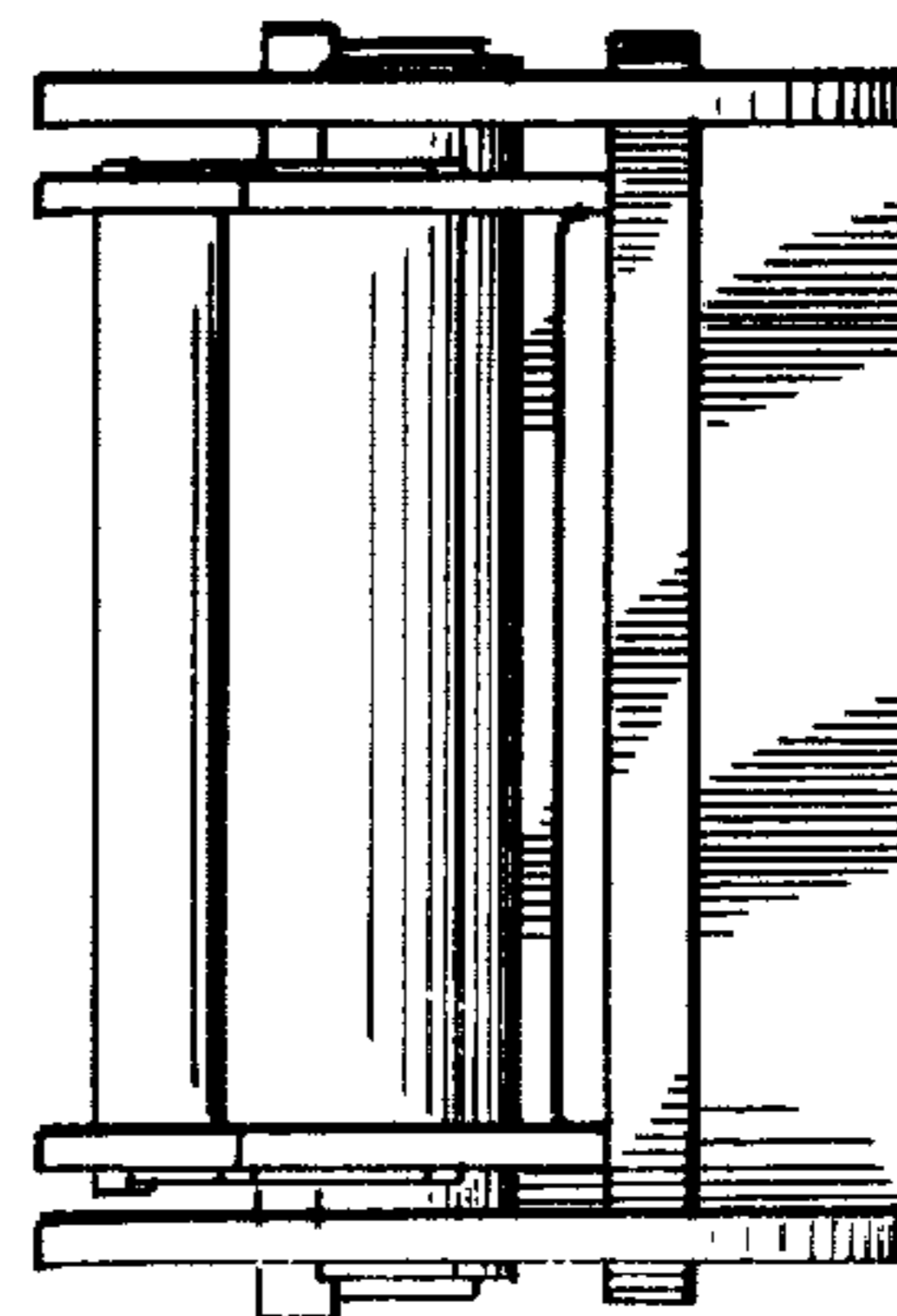


FIG. 3

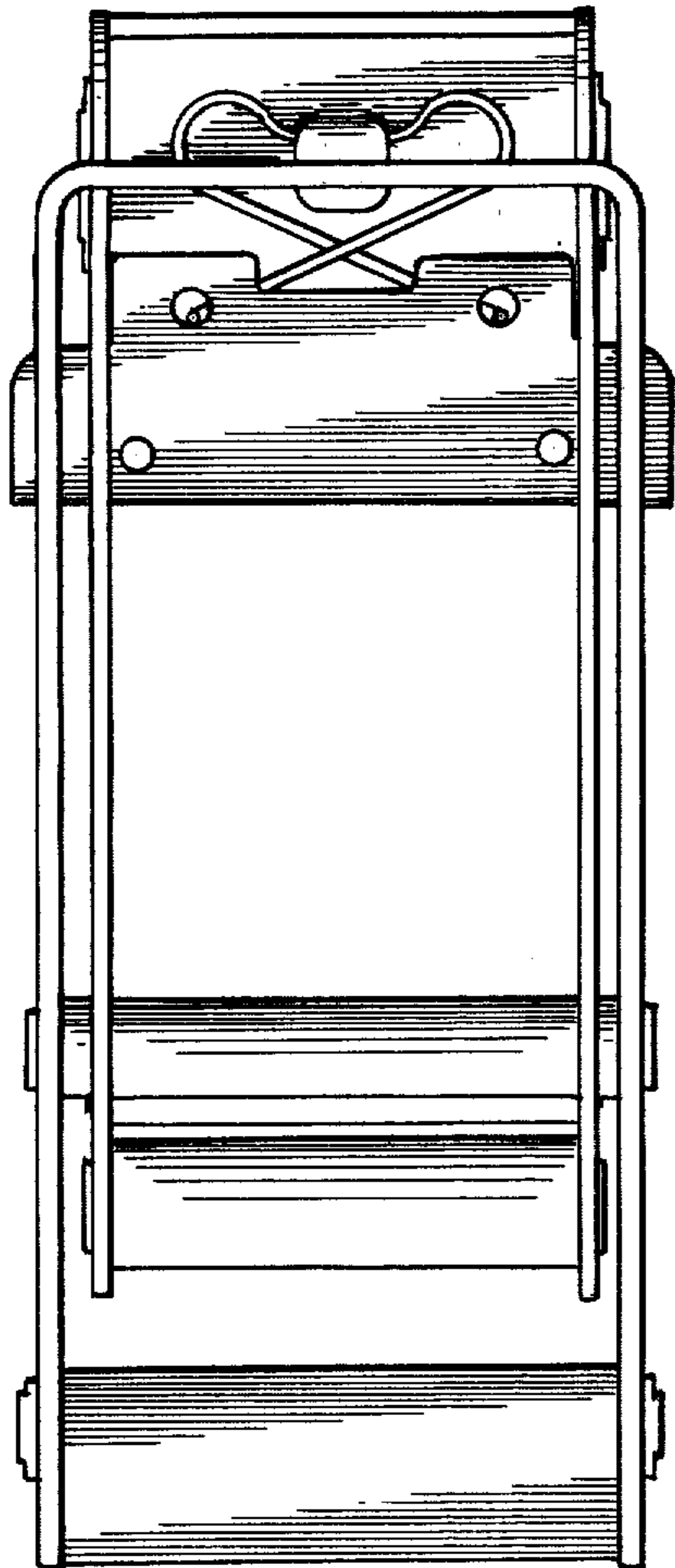


FIG. 4

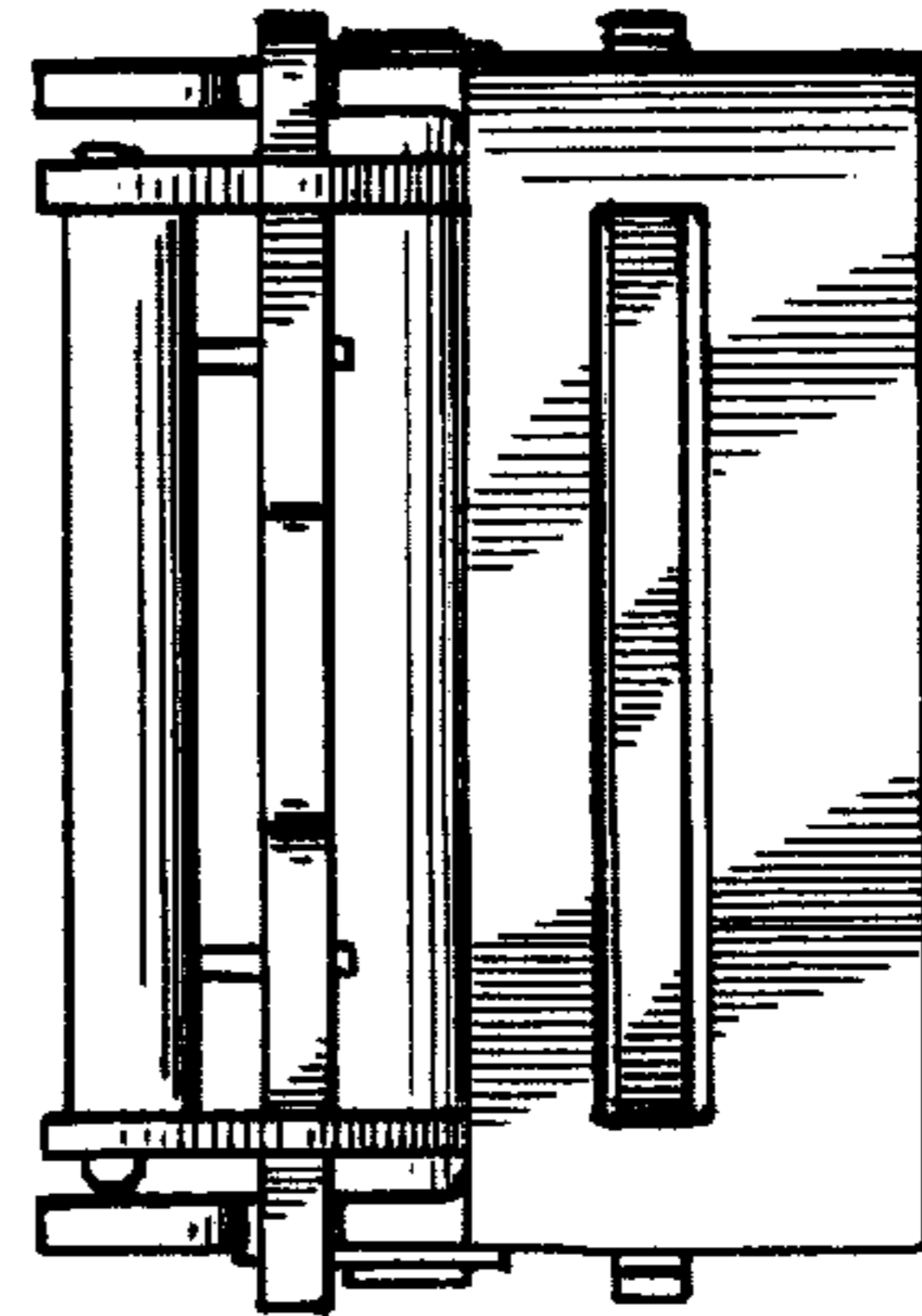


FIG. 6

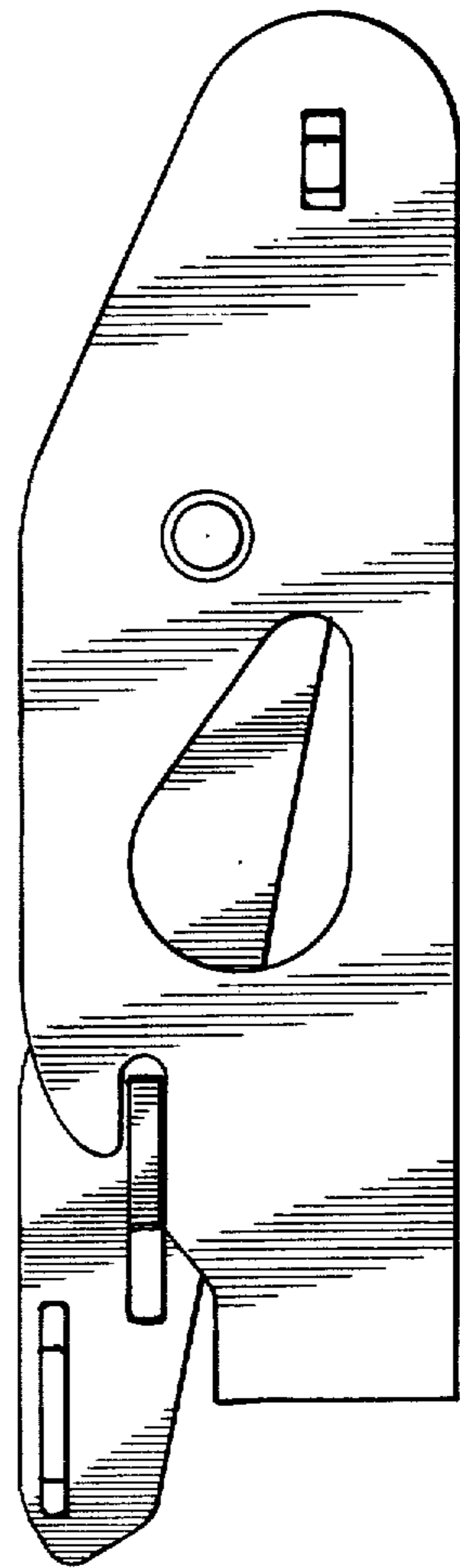


FIG. 5

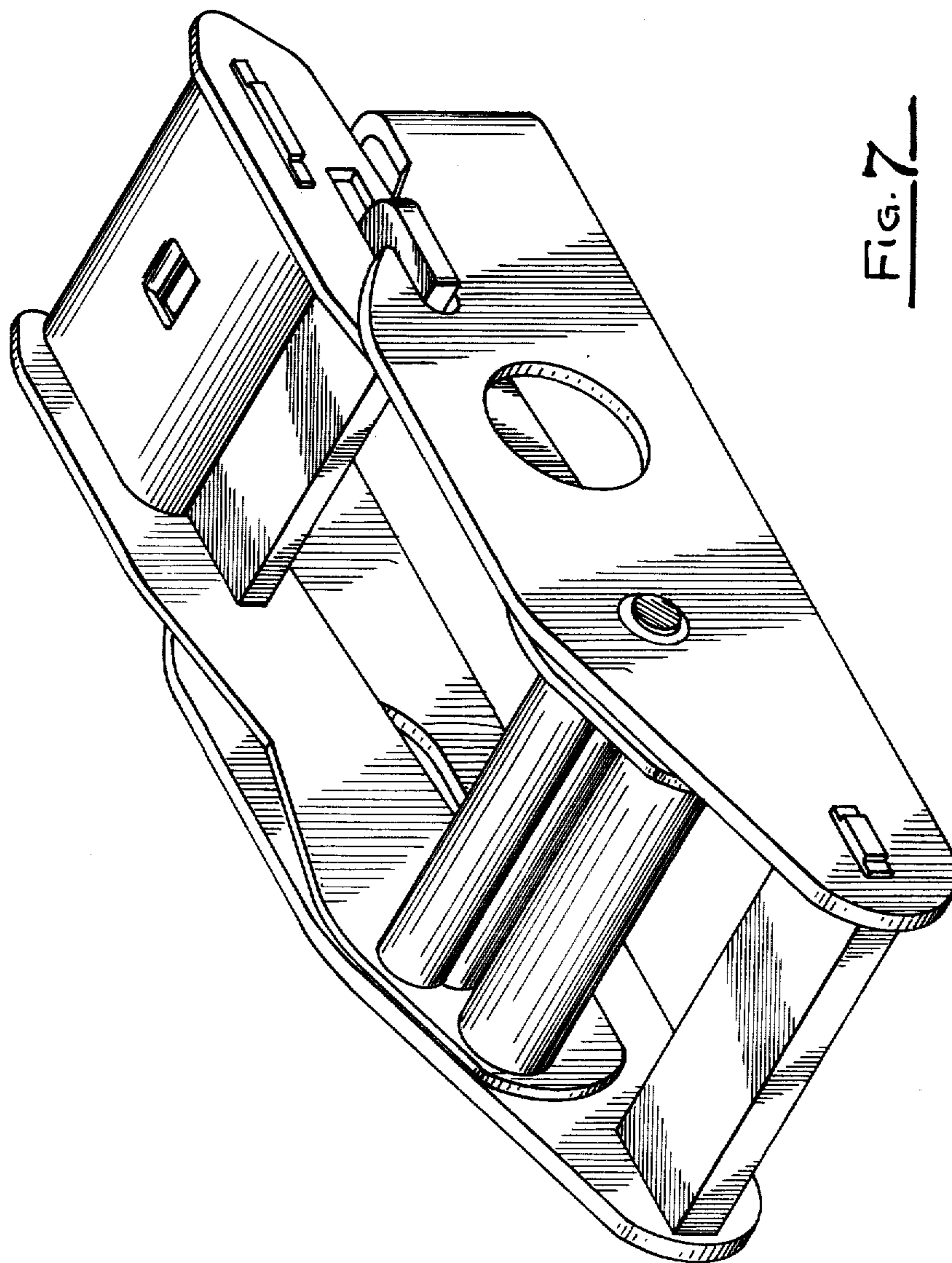


FIG. 7

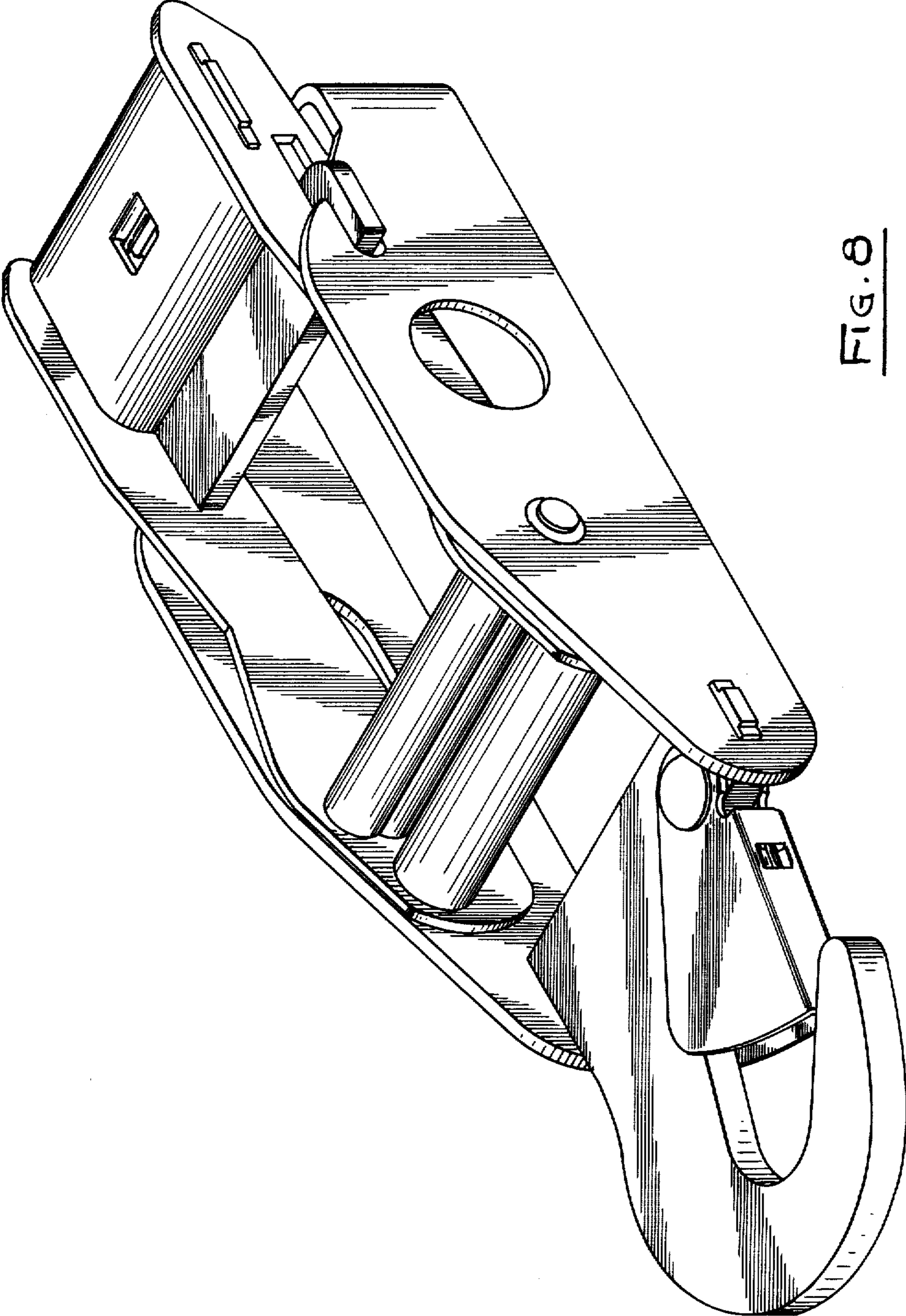


FIG. 8