

[54] POLY-V PULLEY

[75] Inventor: Yukio Kanemitsu, Kobe, Japan

[73] Assignee: Goshi Kaisha Kanemitsu Doko
Yosetsu-Sho, Japan

[**] Term: 14 Years

[21] Appl. No.: 252,495

[22] Filed: Apr. 8, 1981

[30] Foreign Application Priority Data
Dec. 26, 1980 [JP] Japan 55-54857

[51] Int. Cl. D14-05

[52] U.S. Cl. D8/360

[58] Field of Search D8/360; 29/159 R;
72/105

[56] References Cited
U.S. PATENT DOCUMENTS
3,368,376 2/1968 Previte 29/159 R X

3,457,751 7/1969 Lindeman 72/105

3,945,102 3/1976 Kotlar 29/159 R

3,953,995 5/1976 Haswell et al. 72/105

3,977,264 8/1976 Sproul 29/159 R

4,050,321 9/1977 Kraft 29/159 R X

4,080,704 3/1978 Blakesley 29/159 R

Primary Examiner—A. Hugo Word
Attorney, Agent, or Firm—Steele, Gould & Fried

[57] CLAIM

The ornamental design for a poly-v pulley, as shown and described.

DESCRIPTION

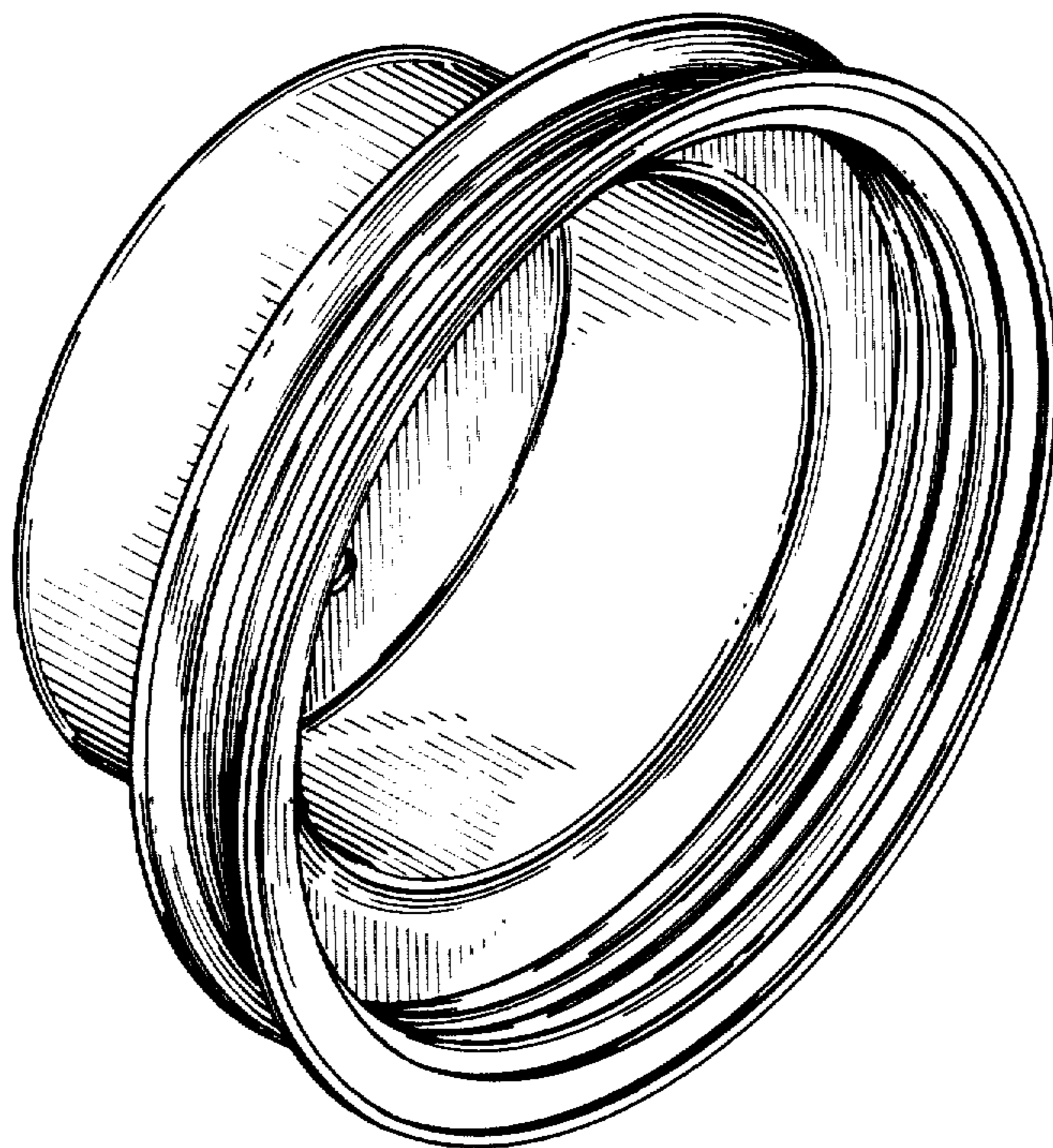
FIG. 1 is a perspective view, from the side and bottom, of a poly-v pulley according to my new design;

FIG. 2 is a bottom plan view thereof;

FIG. 3 is a side elevation thereof, being the same from all directions;

FIG. 4 is a top plan view thereof; and,

FIG. 5 is a section view taken along the line 5--5 in FIG. 2.



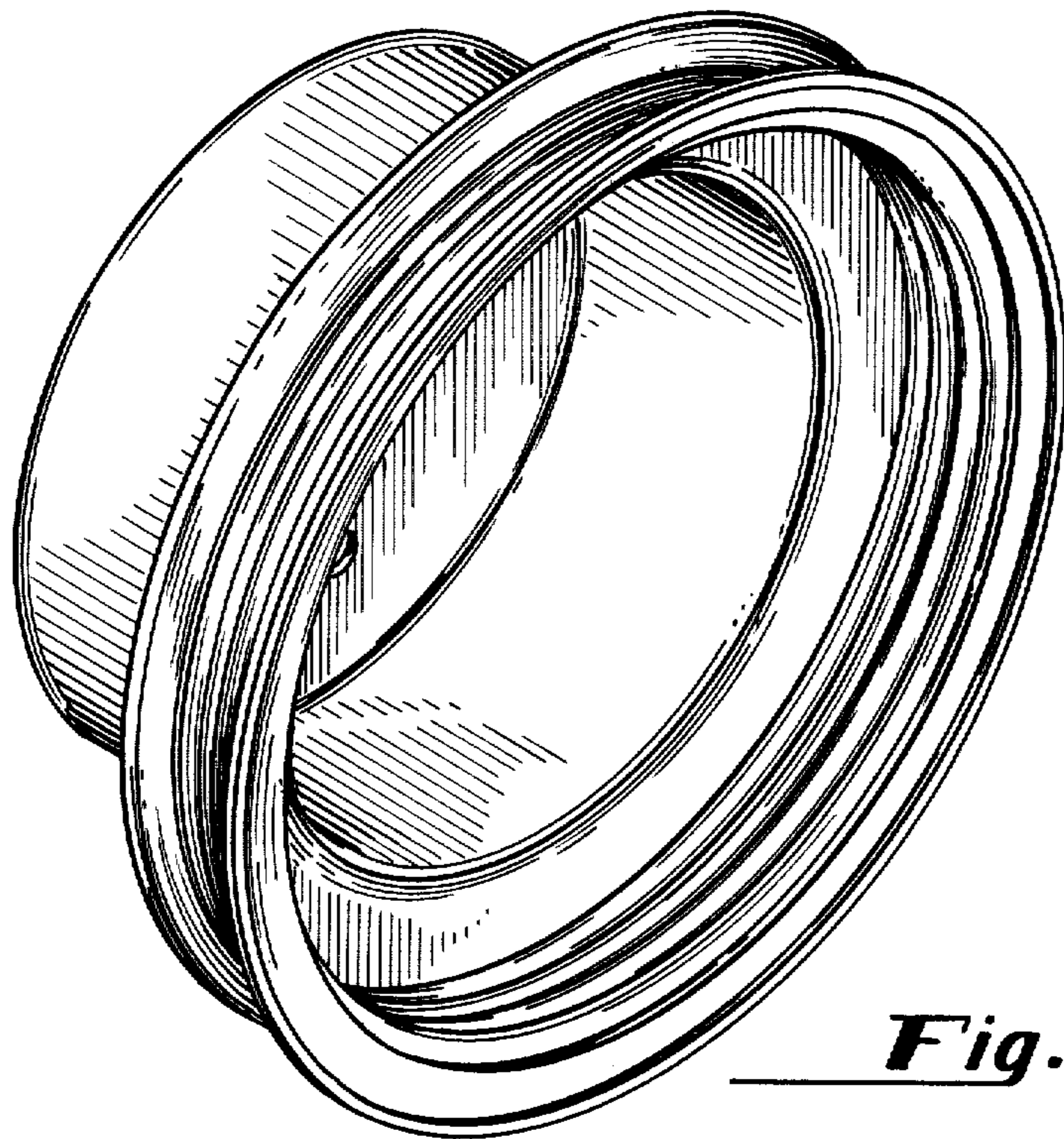


Fig. 1

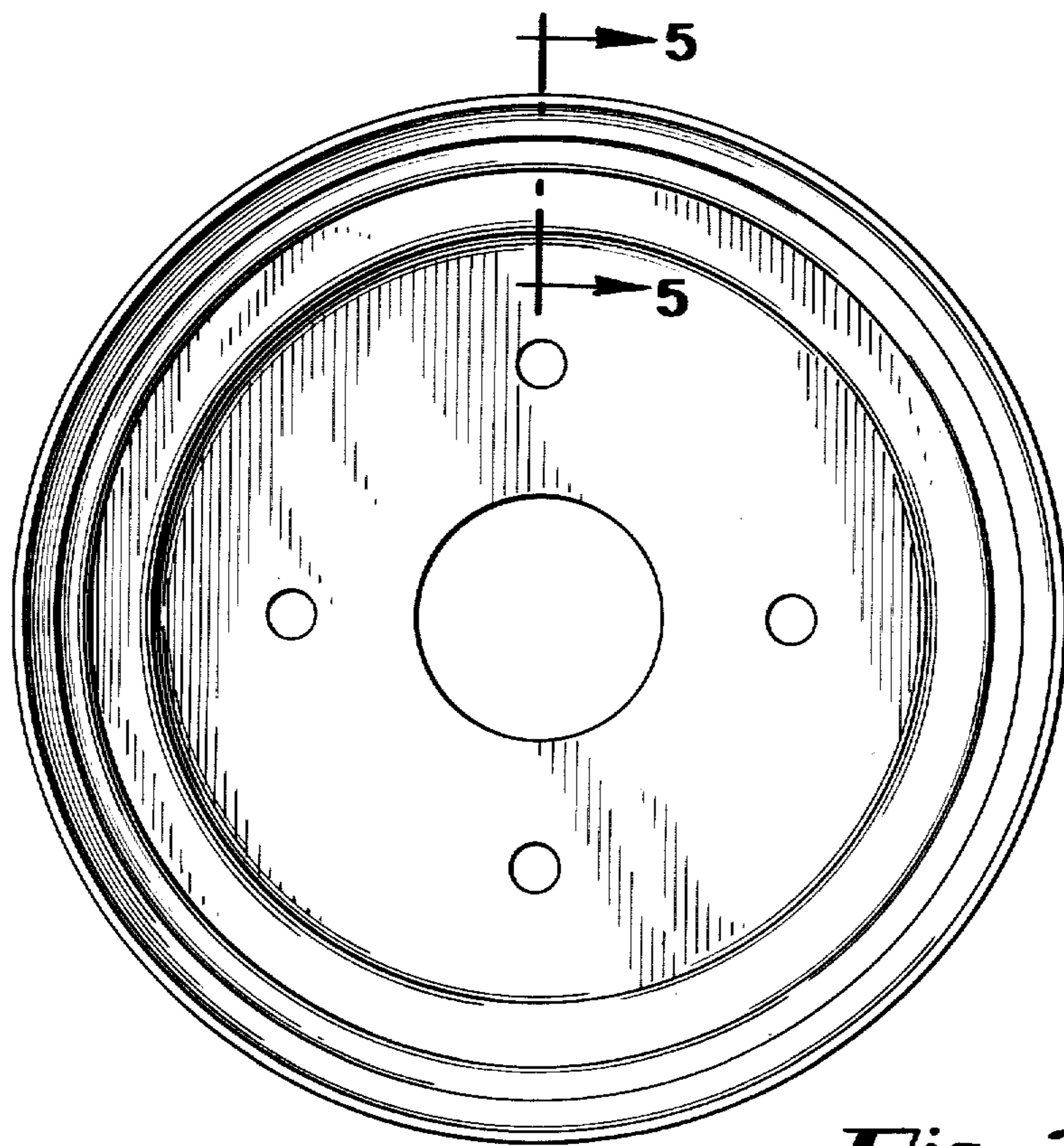


Fig. 2

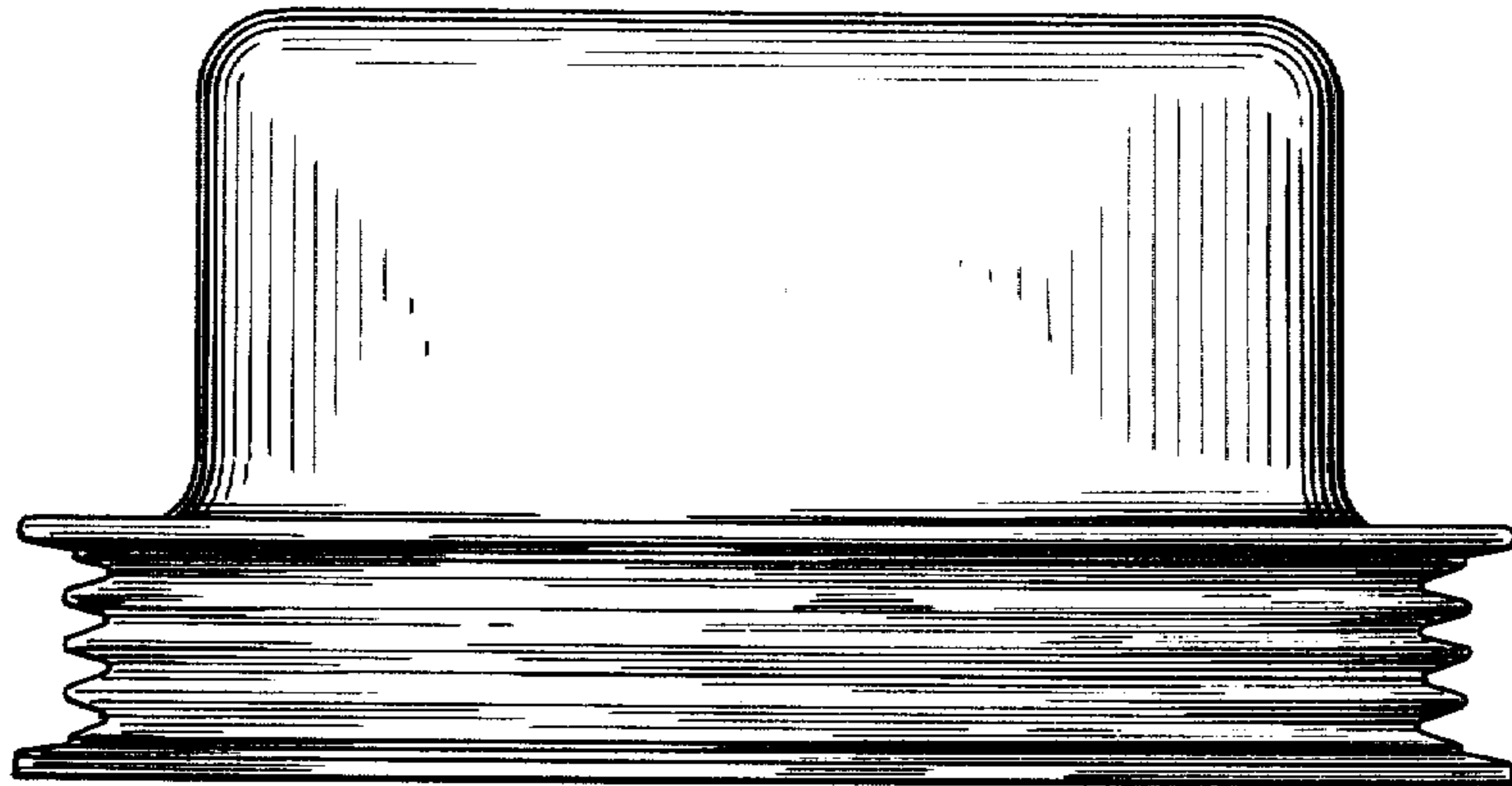


Fig. 3

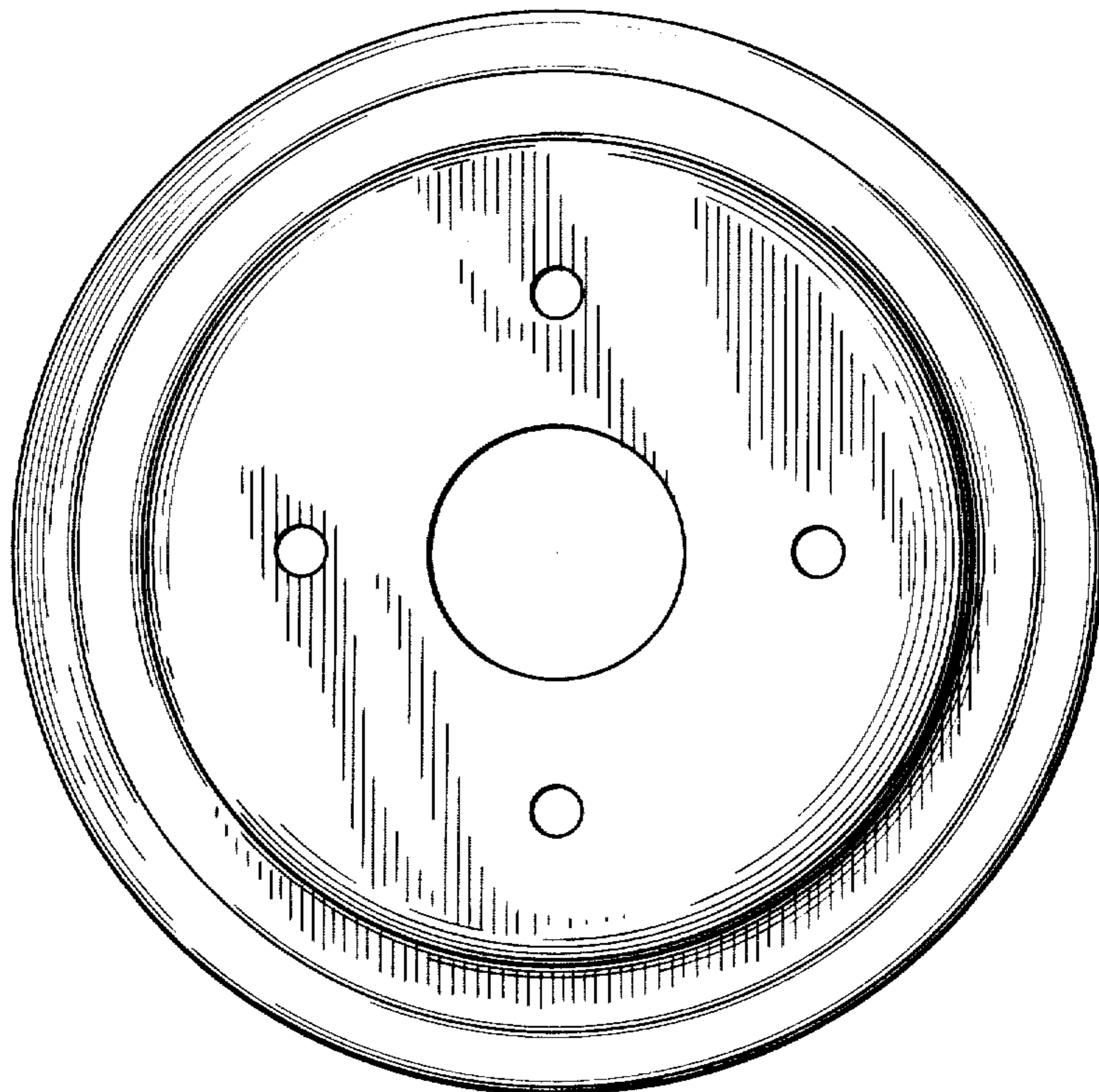


Fig. 4

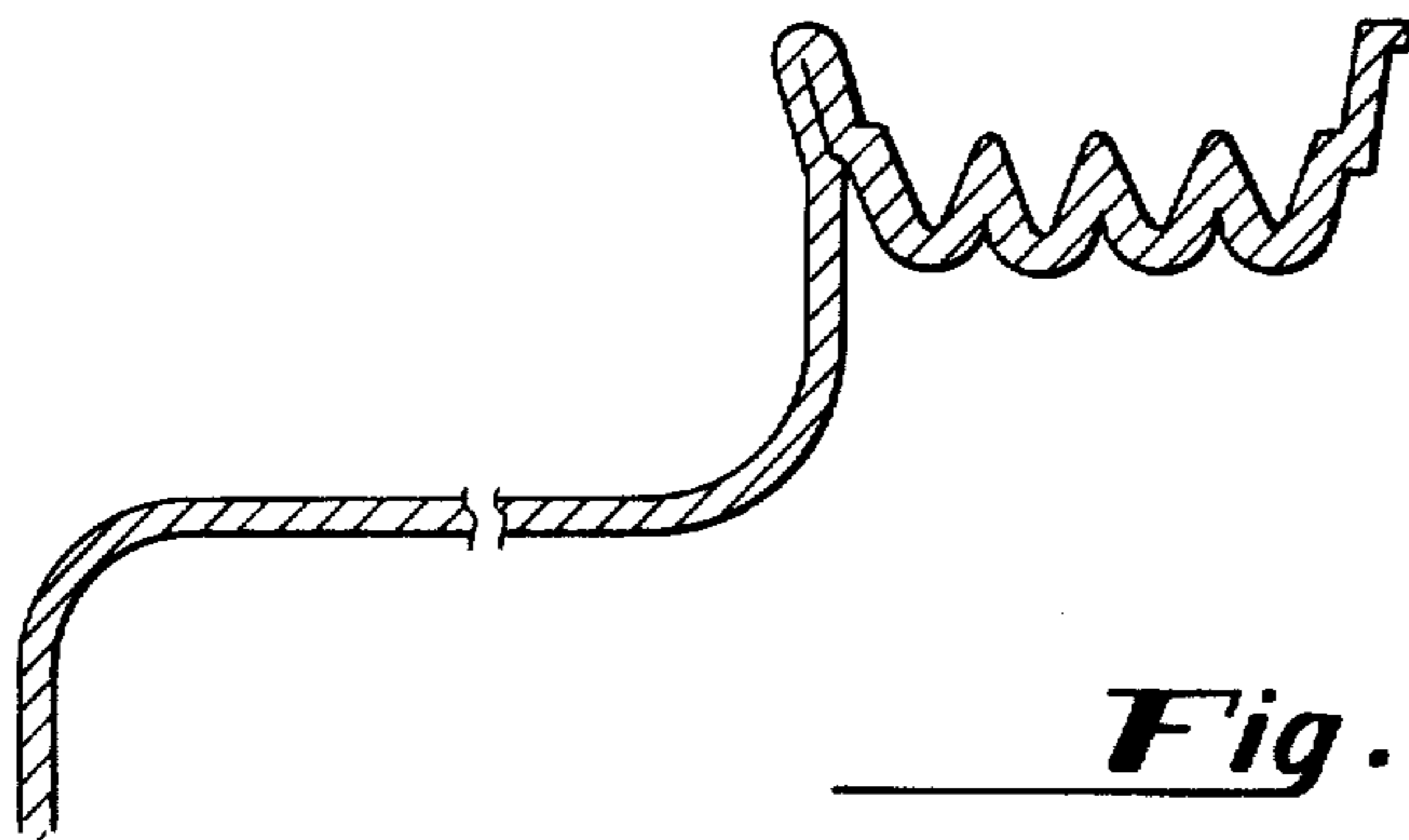


Fig. 5