

[54] POLY-V PULLEY
 [75] Inventor: Yukio Kanemitsu, Kobe, Japan
 [73] Assignee: Goshi Kaisha Kanemitsu Doko
 Yosetsu-sho, Japan
 [**] Term: 14 Years
 [21] Appl. No.: 191,435
 [22] Filed: Sep. 26, 1980
 [51] Int. Cl. D12-05
 [52] U.S. Cl. D8/360
 [58] Field of Search D8/360; 29/159 R;
 72/105

3,457,751 7/1969 Lindeman 72/105
 3,945,102 3/1976 Kotlar 29/159 R
 3,953,995 5/1976 Haswell et al. 72/105
 3,977,264 8/1976 Sproul 29/159 R
 4,050,321 9/1977 Kraft 29/159 R X
 4,080,704 3/1978 Blakesley 29/159 R

Primary Examiner—A. Hugo Word
 Attorney, Agent, or Firm—Steele, Gould & Fried

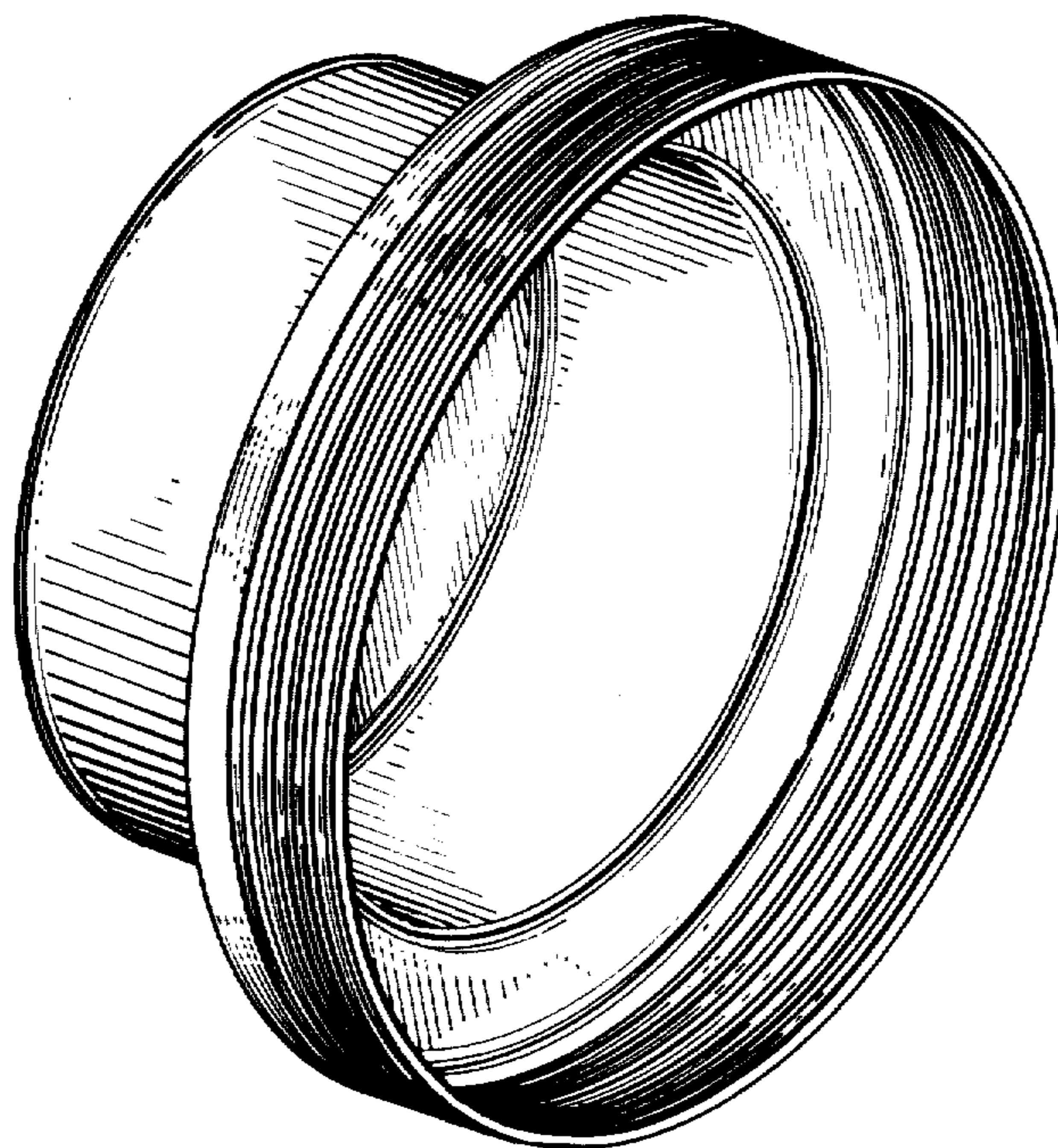
[57] CLAIM

The ornamental design for a poly-v pulley, as shown and described.

DESCRIPTION

FIG. 1 is a perspective view, from the side and bottom, of a poly-v pulley according to my new design;
 FIG. 2 is a bottom plan view thereof;
 FIG. 3 is a side elevation thereof, being the same from all directions; and,
 FIG. 4 is a top plan view thereof.

[56] **References Cited**
 U.S. PATENT DOCUMENTS
 3,368,376 2/1968 Previte 29/159 R X



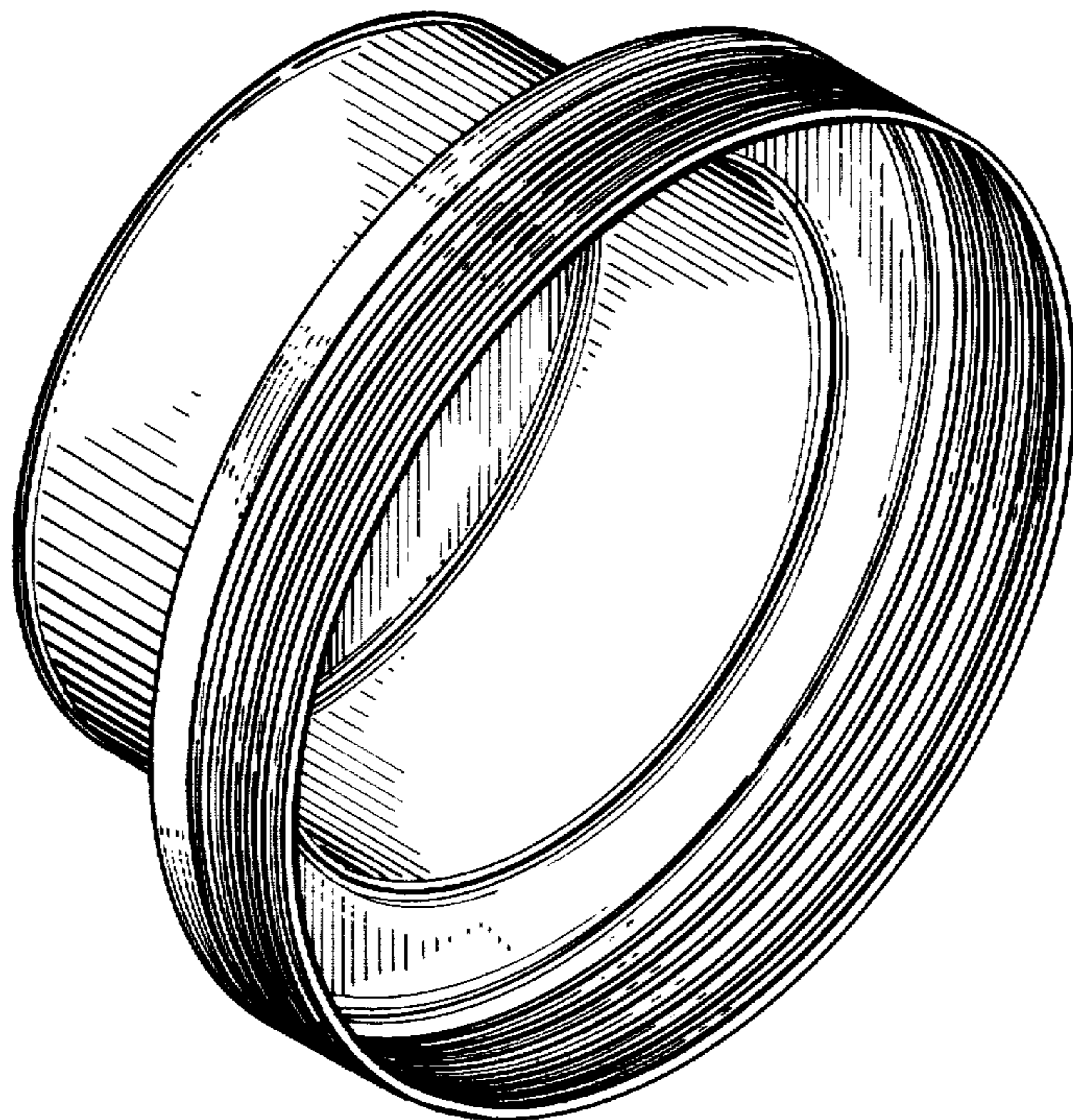


Fig. 1

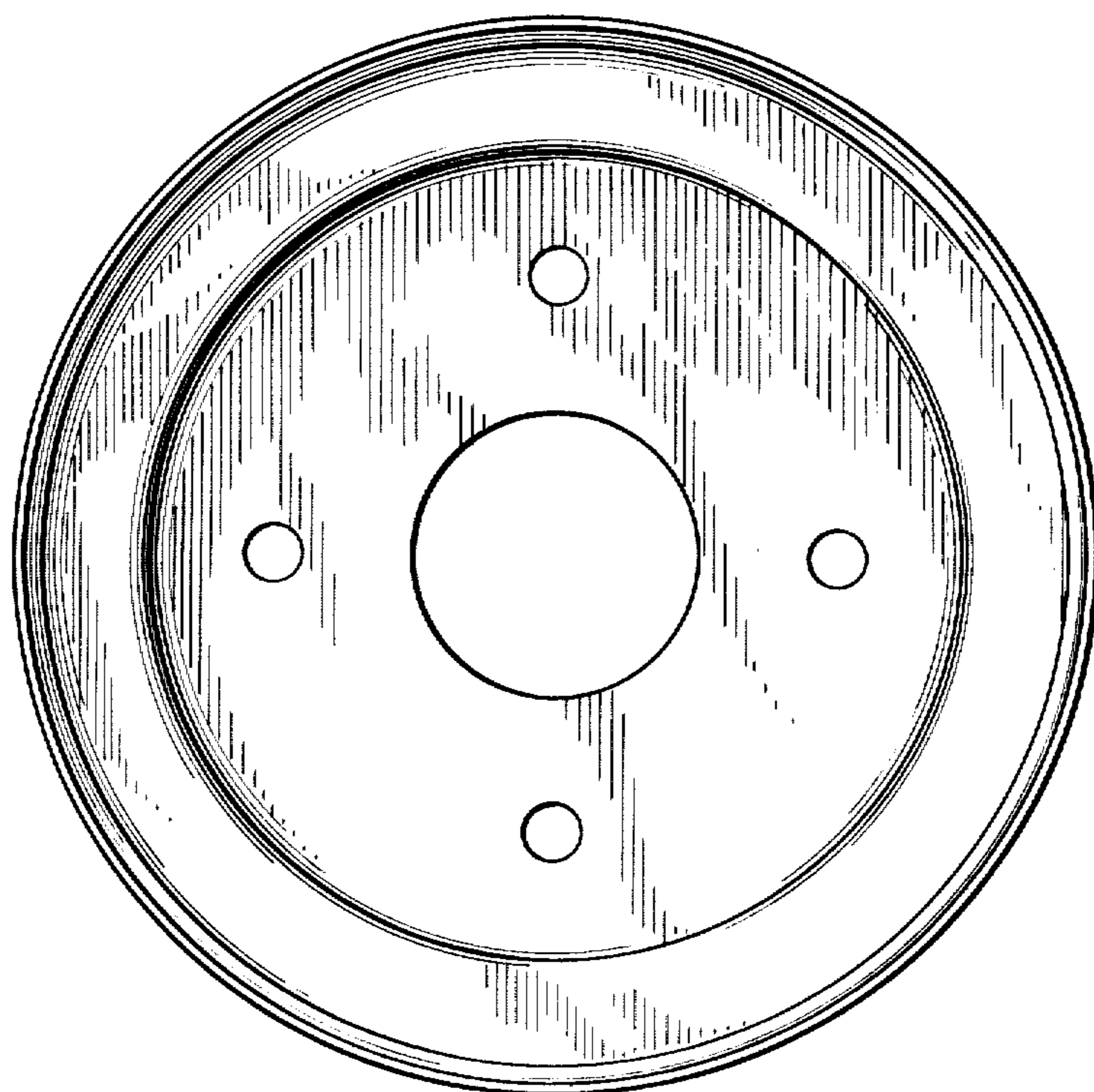


Fig. 2

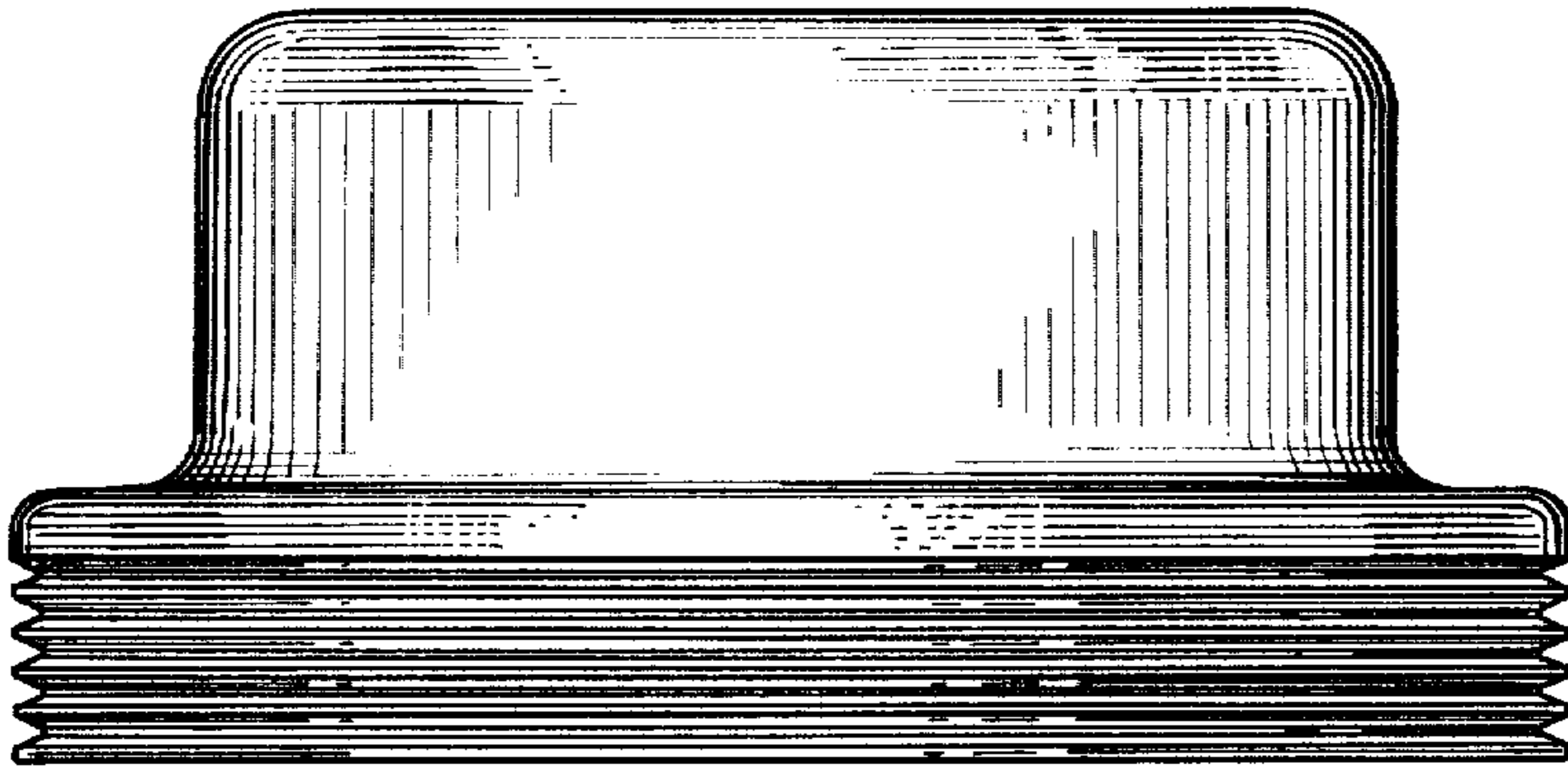


Fig. 3

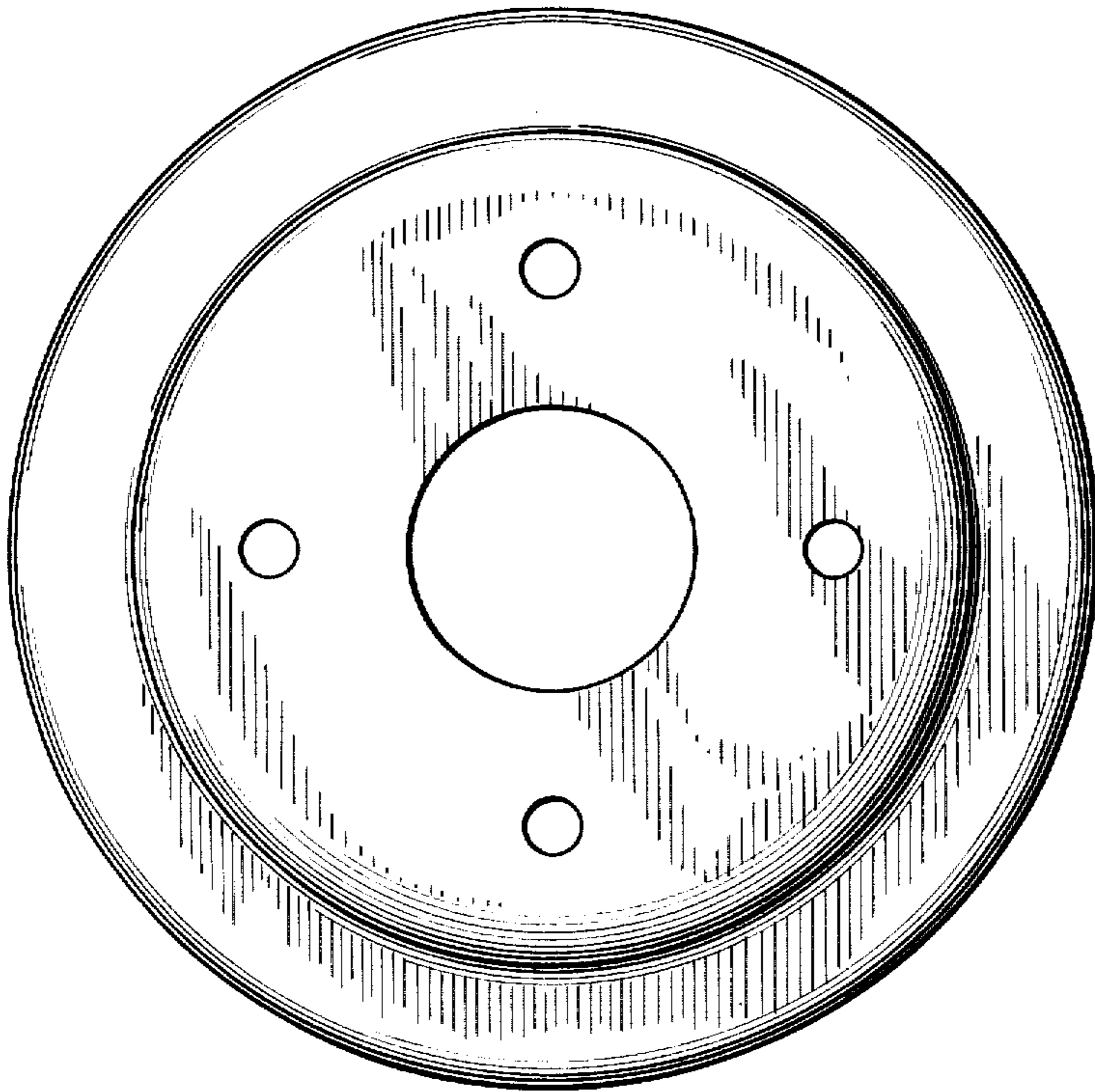


Fig. 4