

[54] WALL MOUNTED COFFEE MAKER

[75] Inventor: Gerben Huisman, Bilthoven, Netherlands

[73] Assignee: Koninklijke Fabriek Inventum Fabriek Van Instrumenten En Elektrische Apparaten, N.V., Bilthoven, Netherlands

[**] Term: 14 Years

[21] Appl. No.: 159,475

[22] Filed: Jun. 16, 1980

[30] Foreign Application Priority Data

Dec. 17, 1979 [NL] Netherlands 54288-00

[51] Int. Cl. D07-02

[52] U.S. Cl. D7/309; D15/113

[58] Field of Search D7/68, 62, 63, 41, 59, D7/60; D15/111, 112, 113

[56] References Cited

U.S. PATENT DOCUMENTS

D. 254,893 5/1980 Smit D7/62
D. 261,344 10/1981 Maass D15/113 X

OTHER PUBLICATIONS

Home Furnishings Daily, Fri. May 14, 1971, p. 13, Sec. I, Wall Mounted Coffeemaker from Kristian Kirk Elec. Ltd.

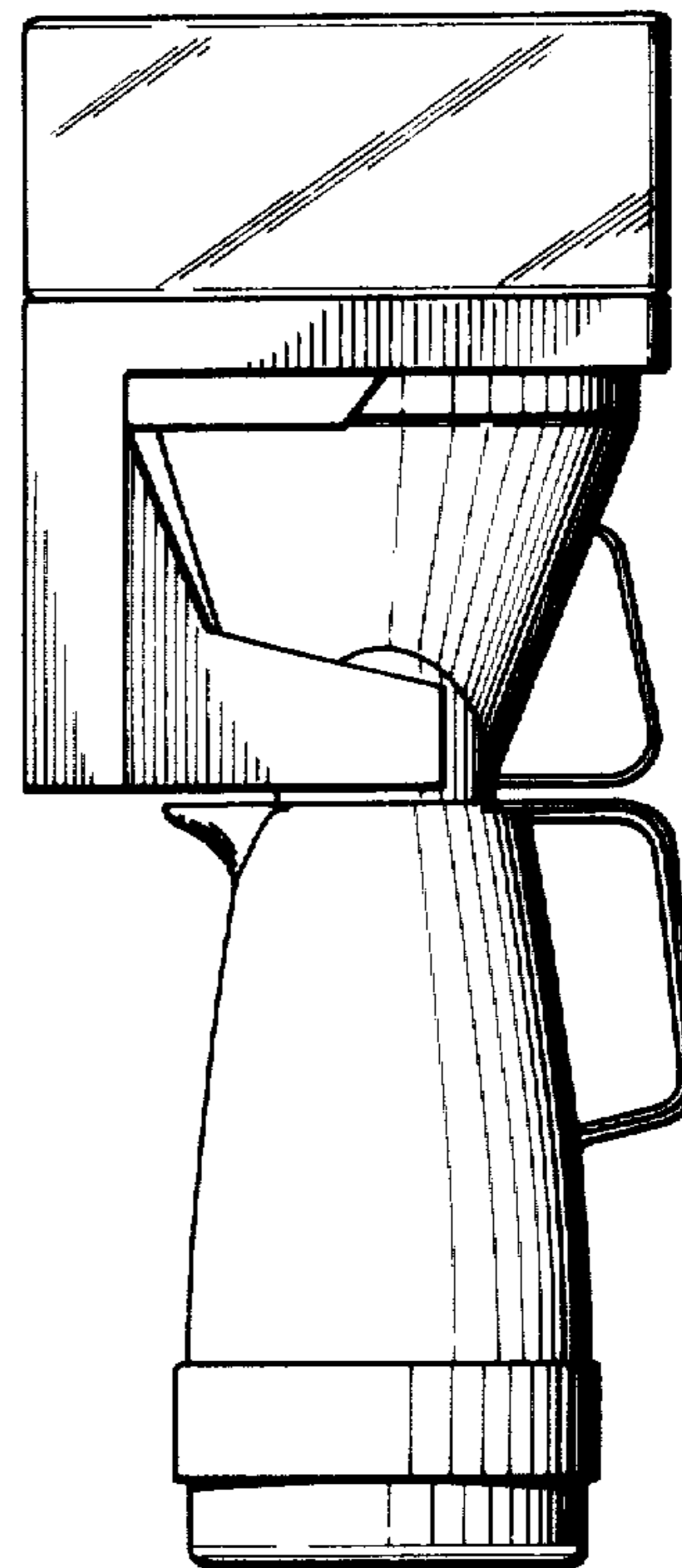
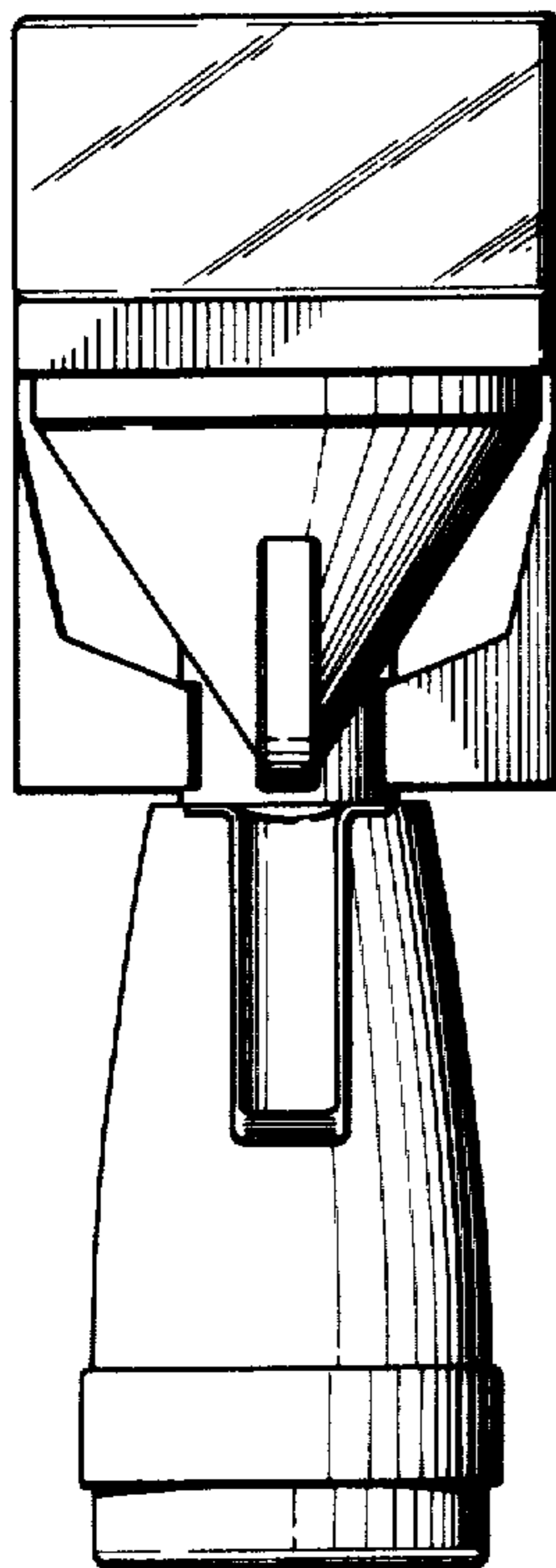
Primary Examiner—Winifred E. Herrmann
Attorney, Agent, or Firm—Oblon, Fisher, Spivak, McClelland & Maier

[57] CLAIM

The ornamental design for a wall mounted coffee maker, as shown and described.

DESCRIPTION

FIG. 1 is a front view of a wall mounted coffee maker showing my new design;
FIG. 2 is a left side view thereof, the right side being a mirror image thereof;
FIG. 3 is a top plan view thereof; and
FIG. 4 is a bottom plan view thereof.



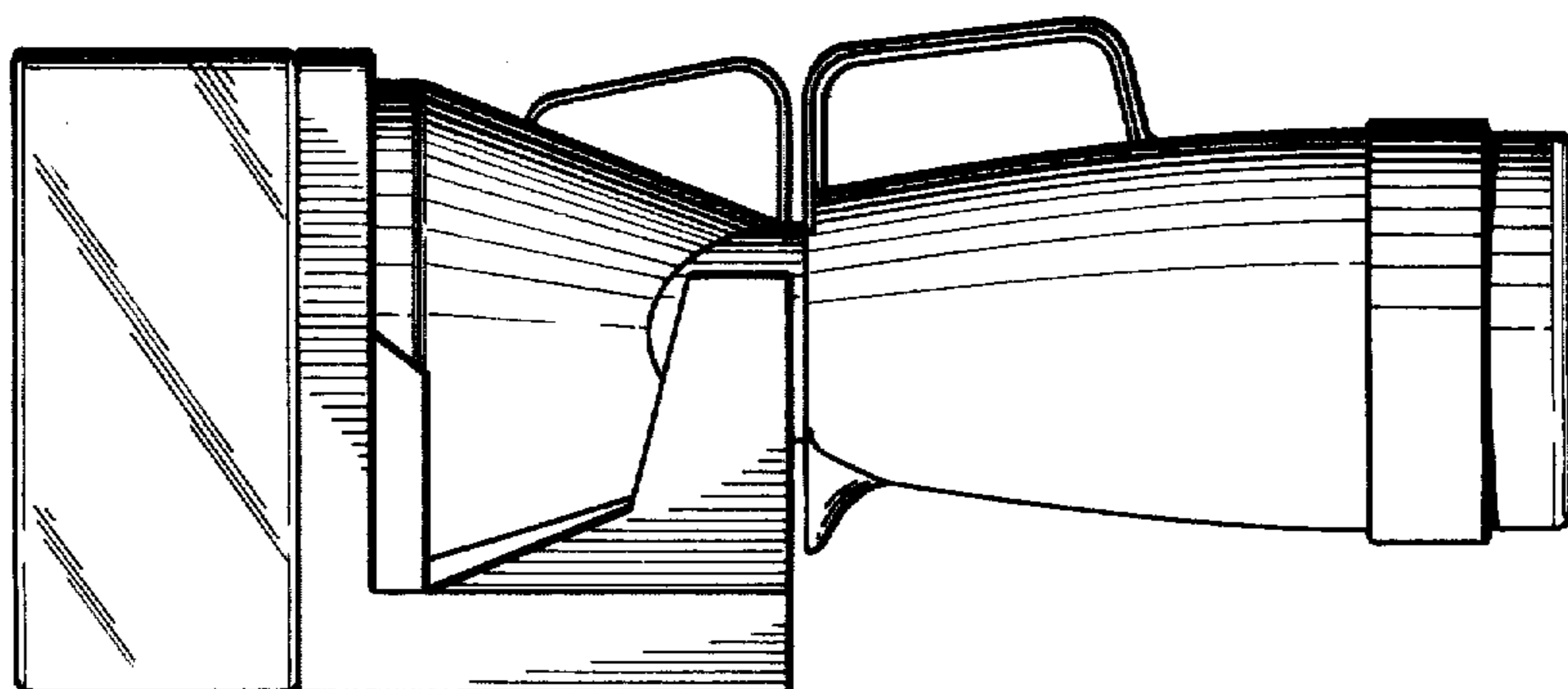


FIG. 2

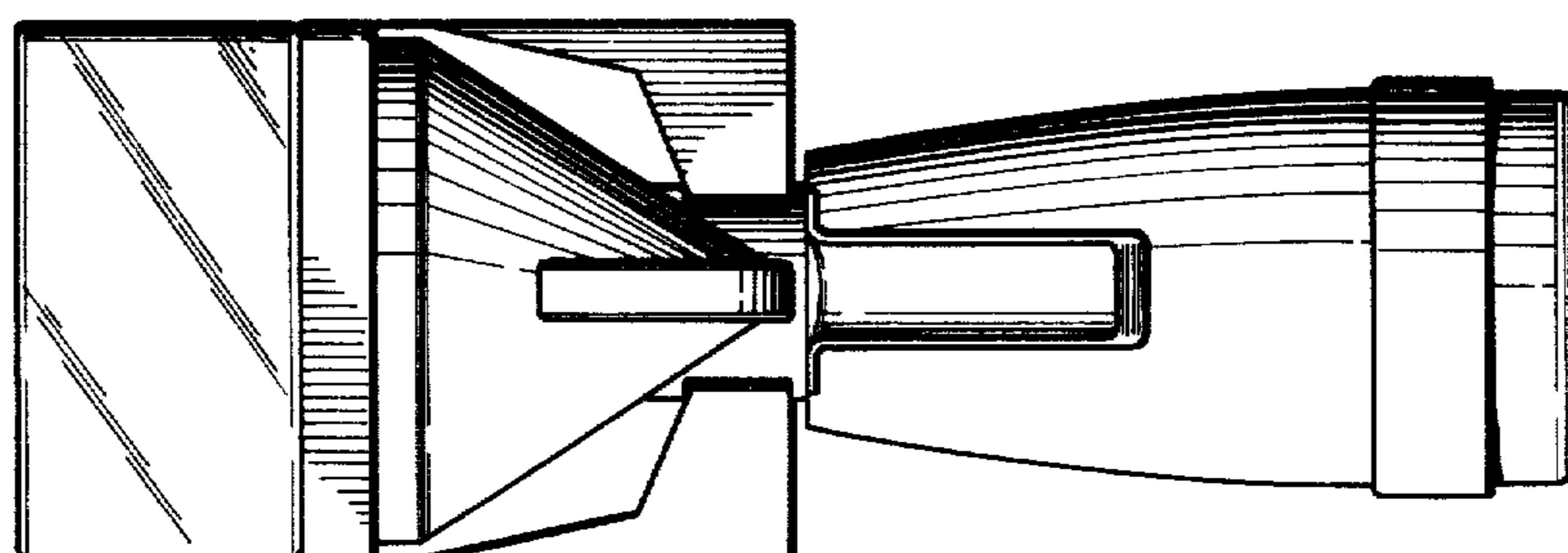


FIG. 1

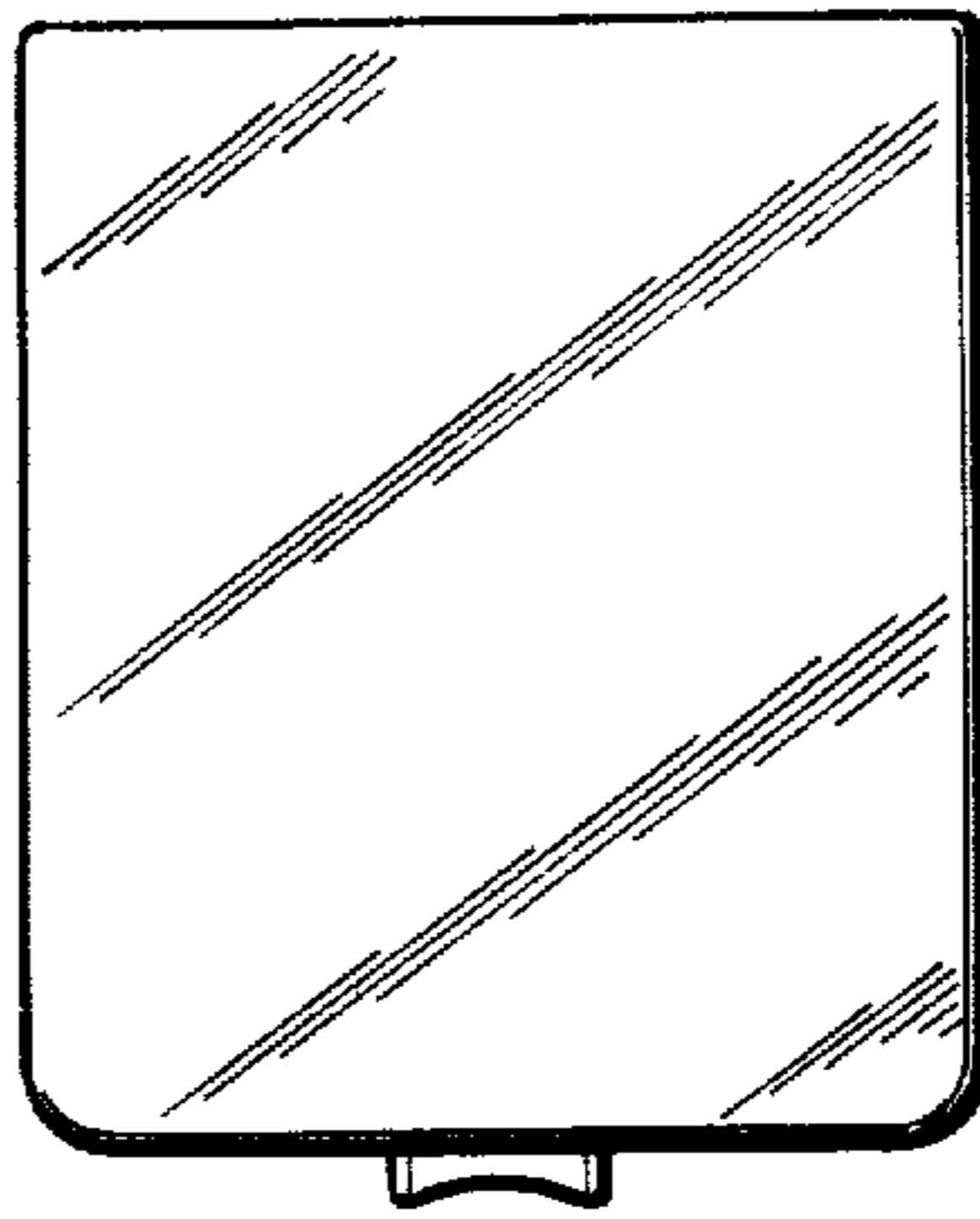


FIG. 3

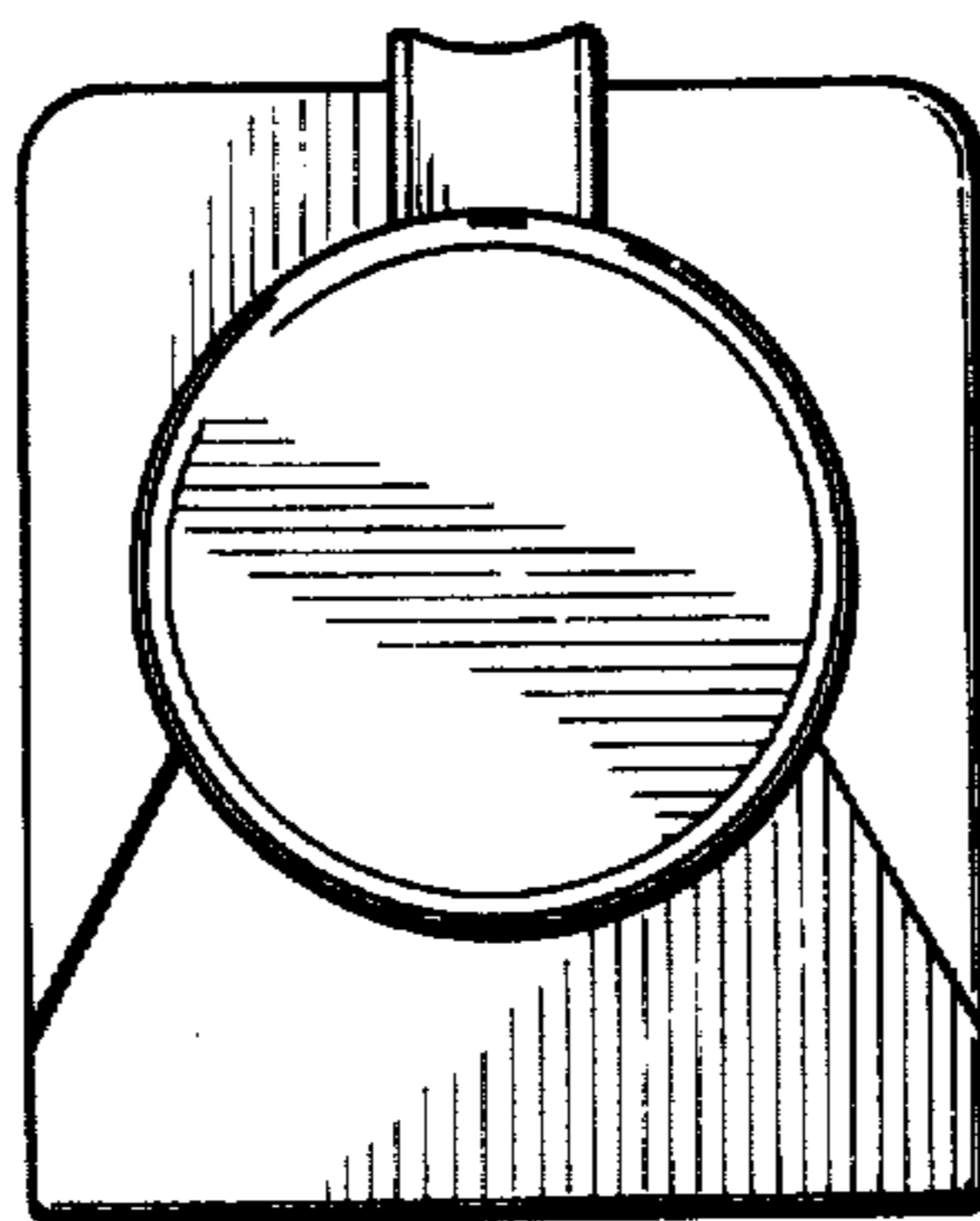


FIG. 4

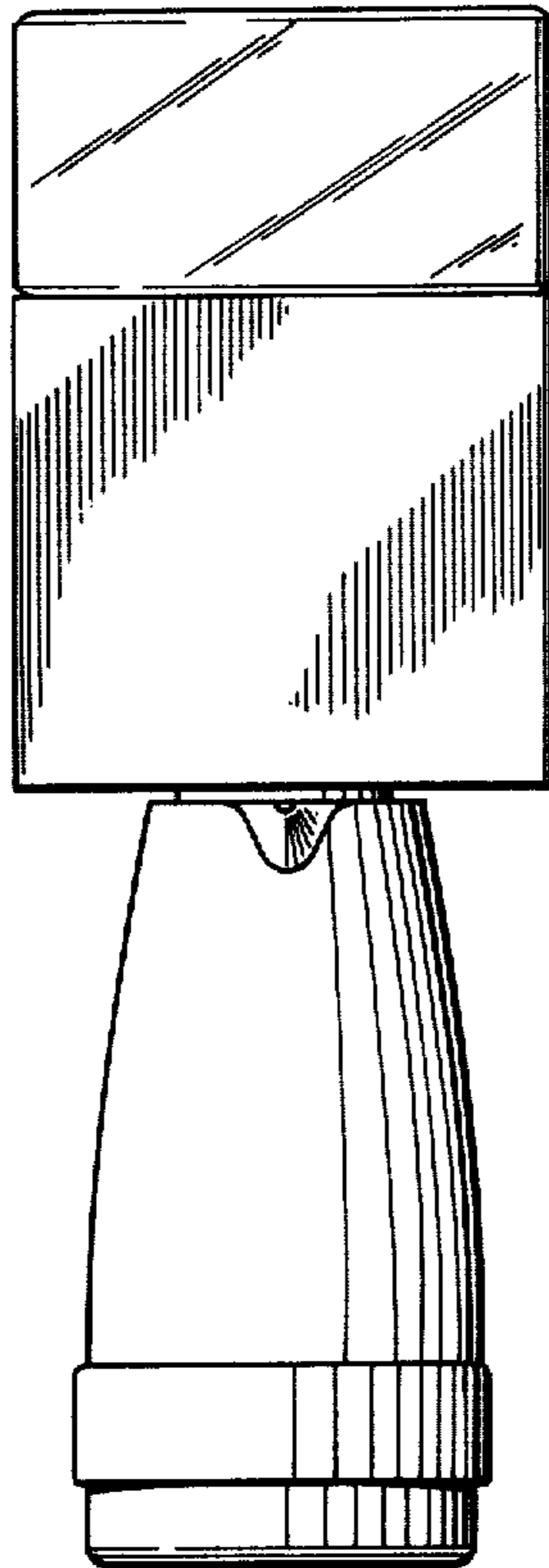


FIG. 5