

[54] DEEP CASSEROLE DISH OR SIMILAR ARTICLE

[75] Inventors: George B. Jensen, deceased, late of Syracuse, N.Y.; by Stanley F. Campion, executor, Fayetteville, N.Y.

[73] Assignee: Syracuse China Corporation, Syracuse, N.Y.

[*] Notice: The portion of the term of this patent subsequent to Jun. 9, 1995, has been disclaimed.

[**] Term: 14 Years

[21] Appl. No.: 85,942

[22] Filed: Oct. 18, 1979

[51] Int. Cl. D7-01; D7-02

[52] U.S. Cl. D7/20; D7/361

[58] Field of Search D7/19, 20, 16, 17, 18, D7/21, 1, 85, 97, 95; D9/220

[56] References Cited

U.S. PATENT DOCUMENTS

- D. 121,468 7/1940 Farber D7/95
- D. 207,592 5/1967 Aubecq D7/95
- D. 220,282 3/1971 Piker D7/1

- D. 250,565 12/1978 Stowell D7/20
- D. 251,348 3/1979 Andersen D7/23
- D. 259,459 6/1981 Jensen D7/20

OTHER PUBLICATIONS

Carbone American Handicrafts Cat., , p. 4, top panel, lower r. casserole.

Corning Ware Products Cat., 1968, CS 19-11/67, p. 7, top panel, "Menu-ette Set", all items shown.

Primary Examiner—Winifred E. Herrmann

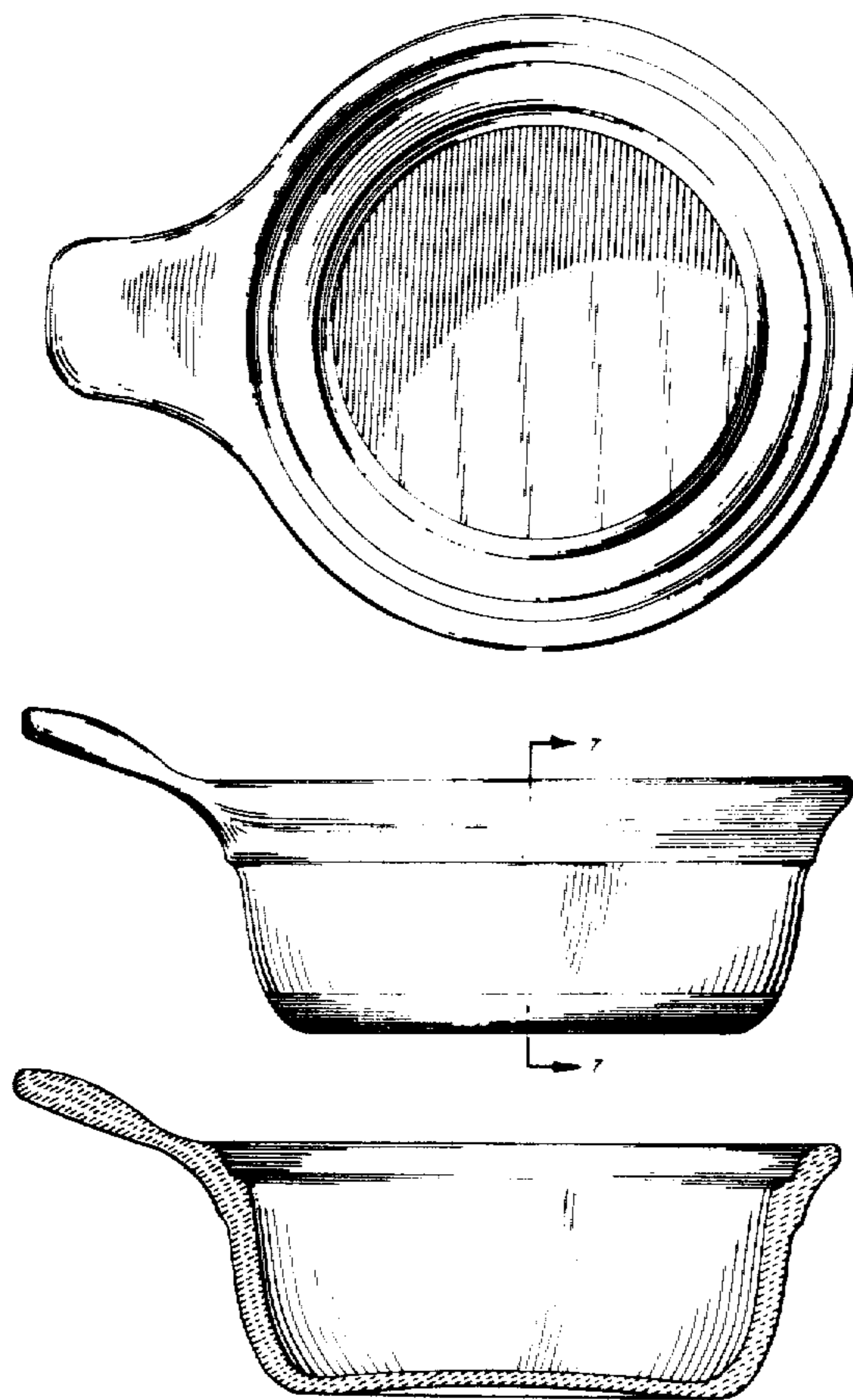
Attorney, Agent, or Firm—Cushman, Darby & Cushman

[57] CLAIM

The ornamental design for a deep casserole dish or similar article, as shown and described.

DESCRIPTION

FIG. 1 is a top plan view of a deep casserole dish or similar article showing my new design;
 FIG. 2 is a bottom plan view thereof;
 FIG. 3 is a front elevation thereof, the rear elevation being a mirror image;
 FIG. 4 is a right side elevation thereof;
 FIG. 5 is a left side elevation thereof;
 FIG. 6 is a vertical sectional view thereof taken on line 6-6 of FIG. 4; and
 FIG. 7 is a vertical sectional view thereof taken on line 7-7 of FIG. 3.



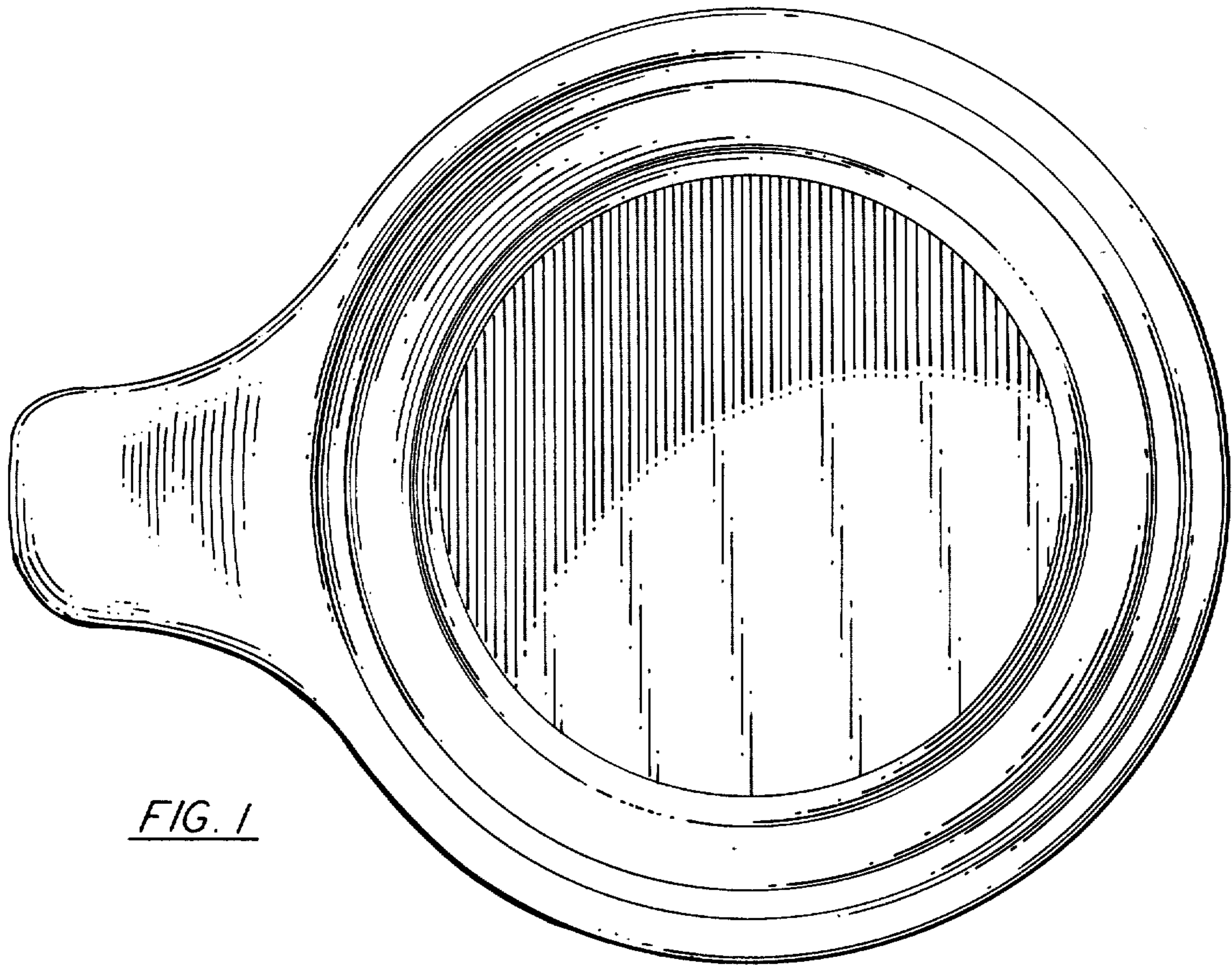


FIG. 1

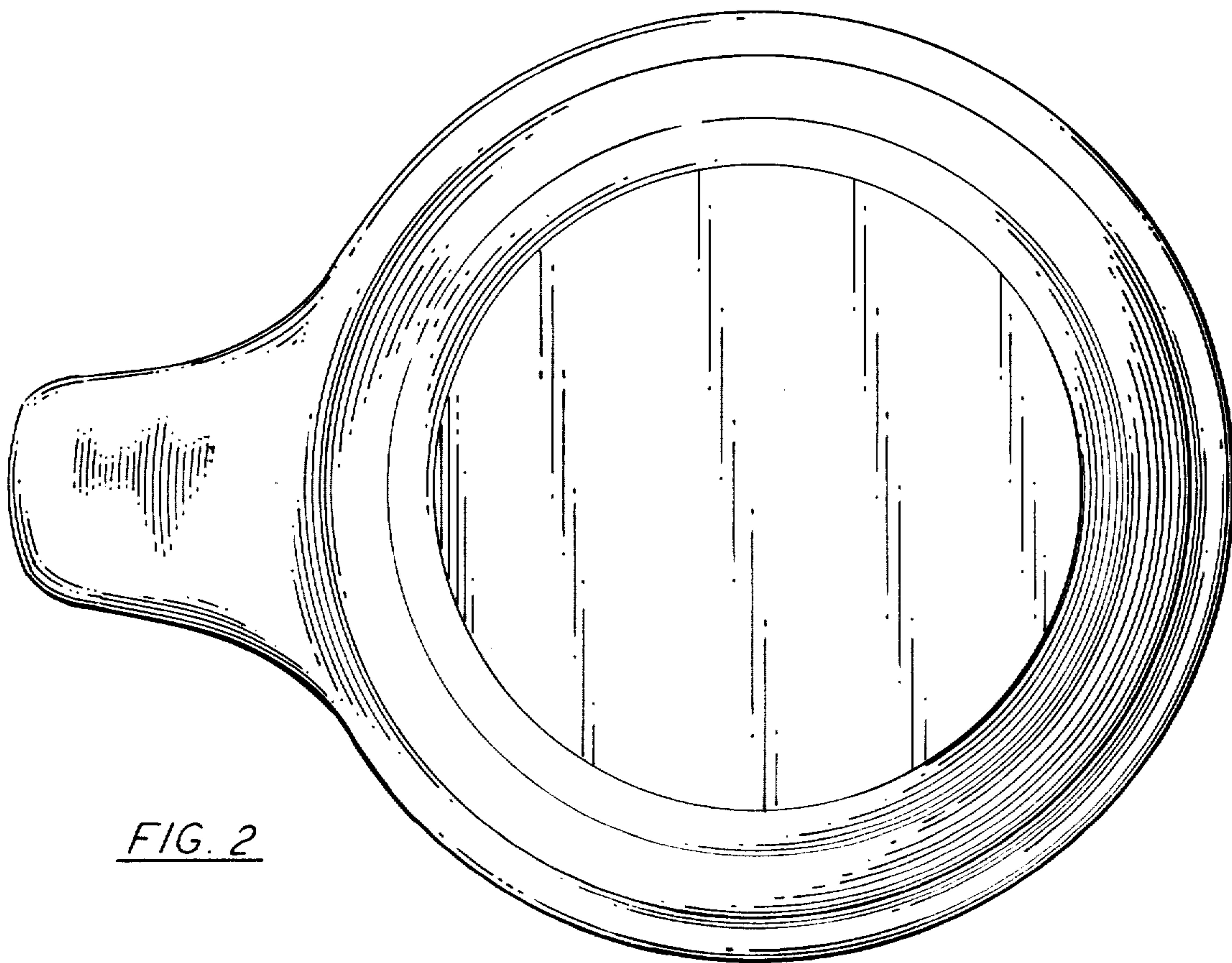


FIG. 2

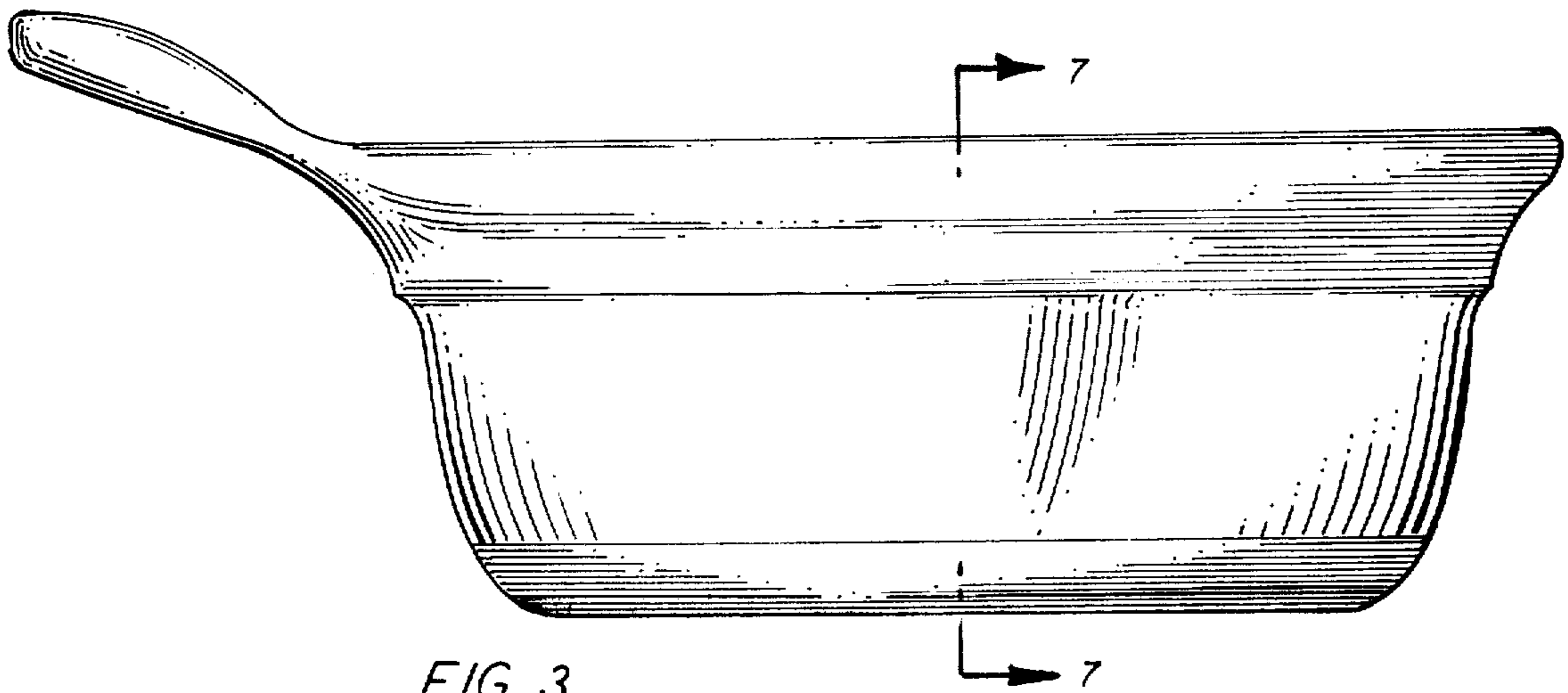


FIG. 3

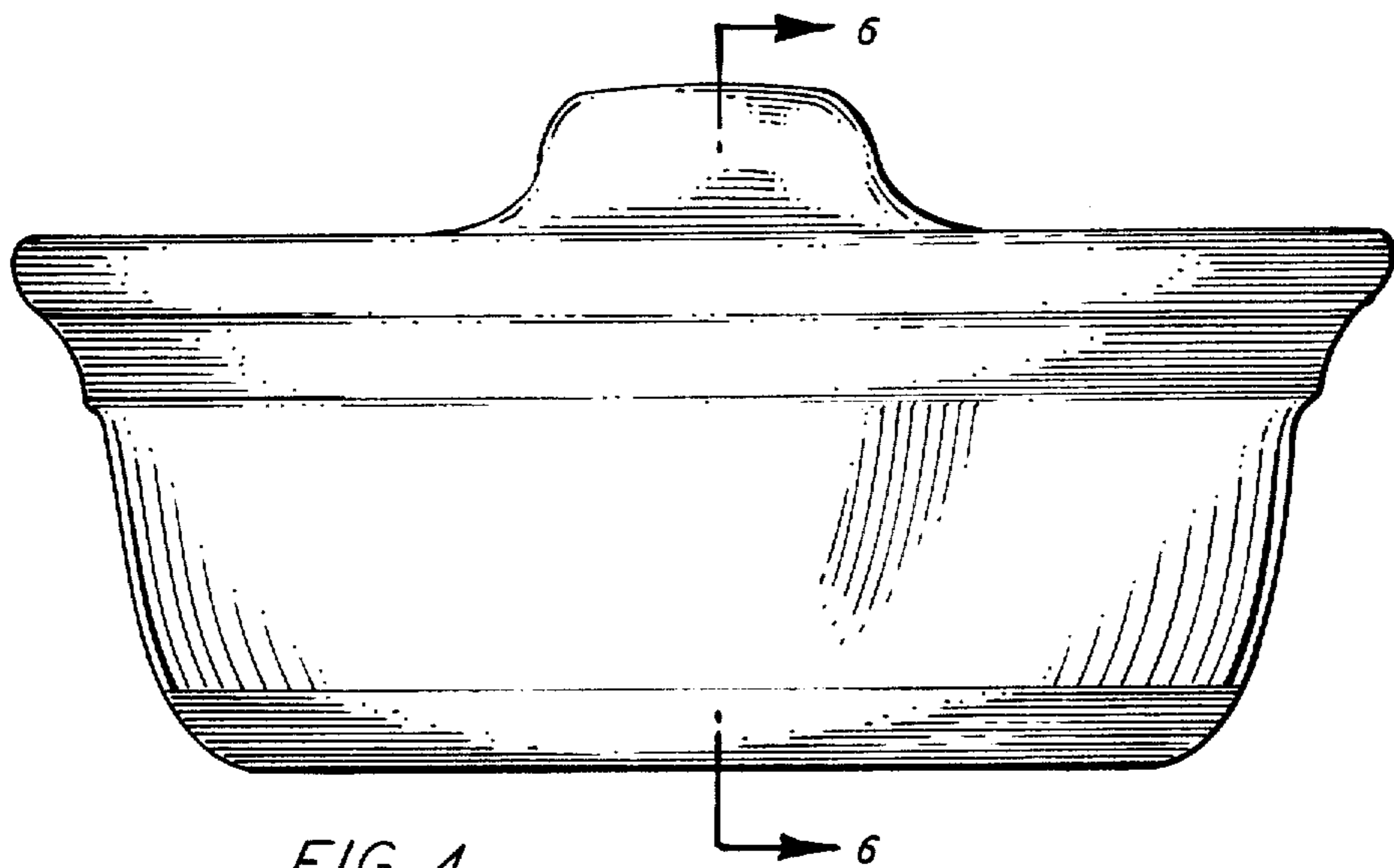


FIG. 4

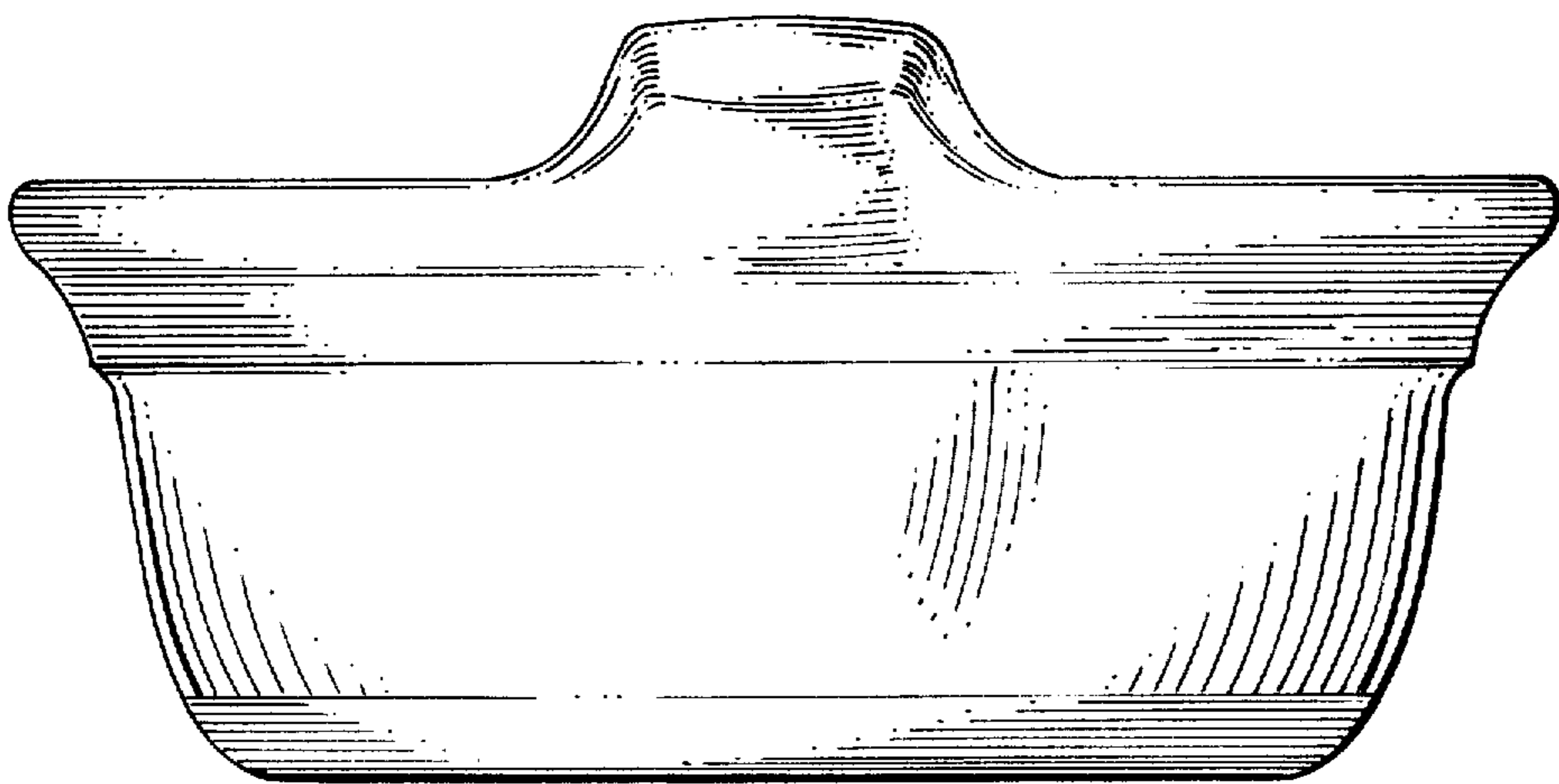


FIG. 5

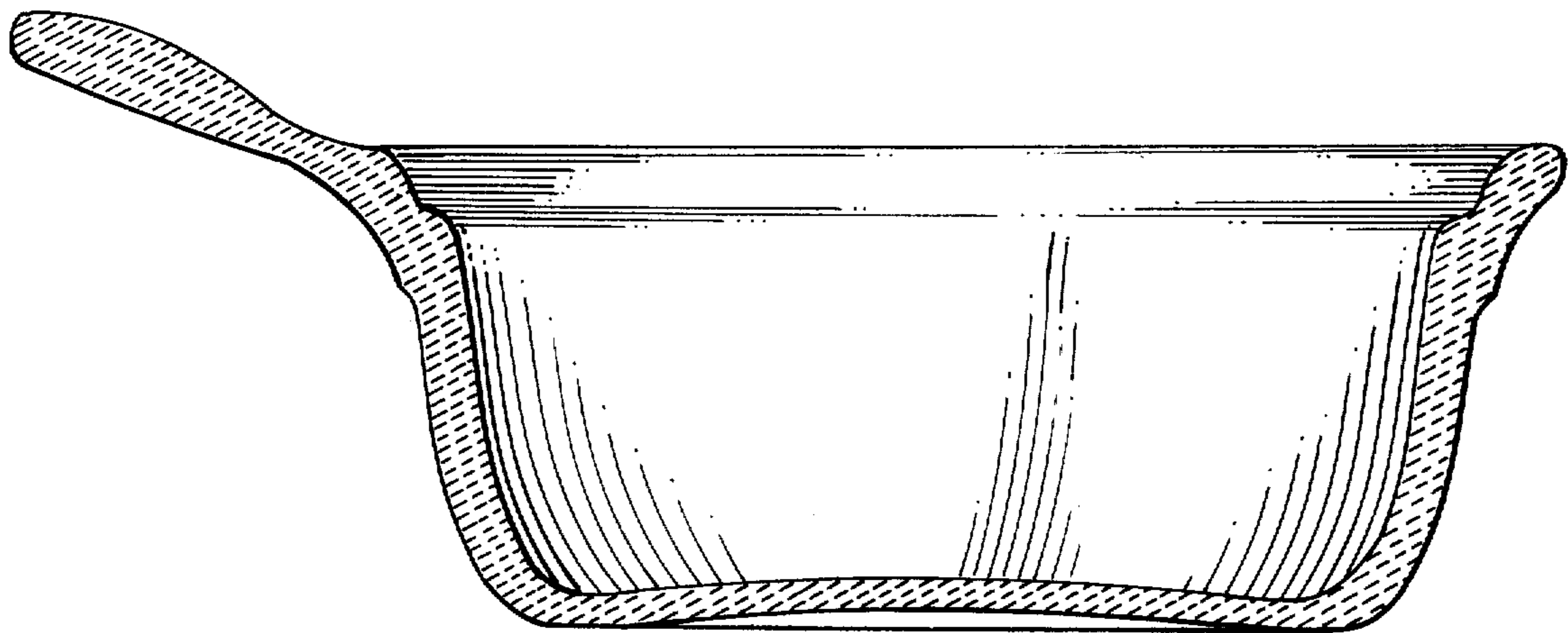


FIG. 6

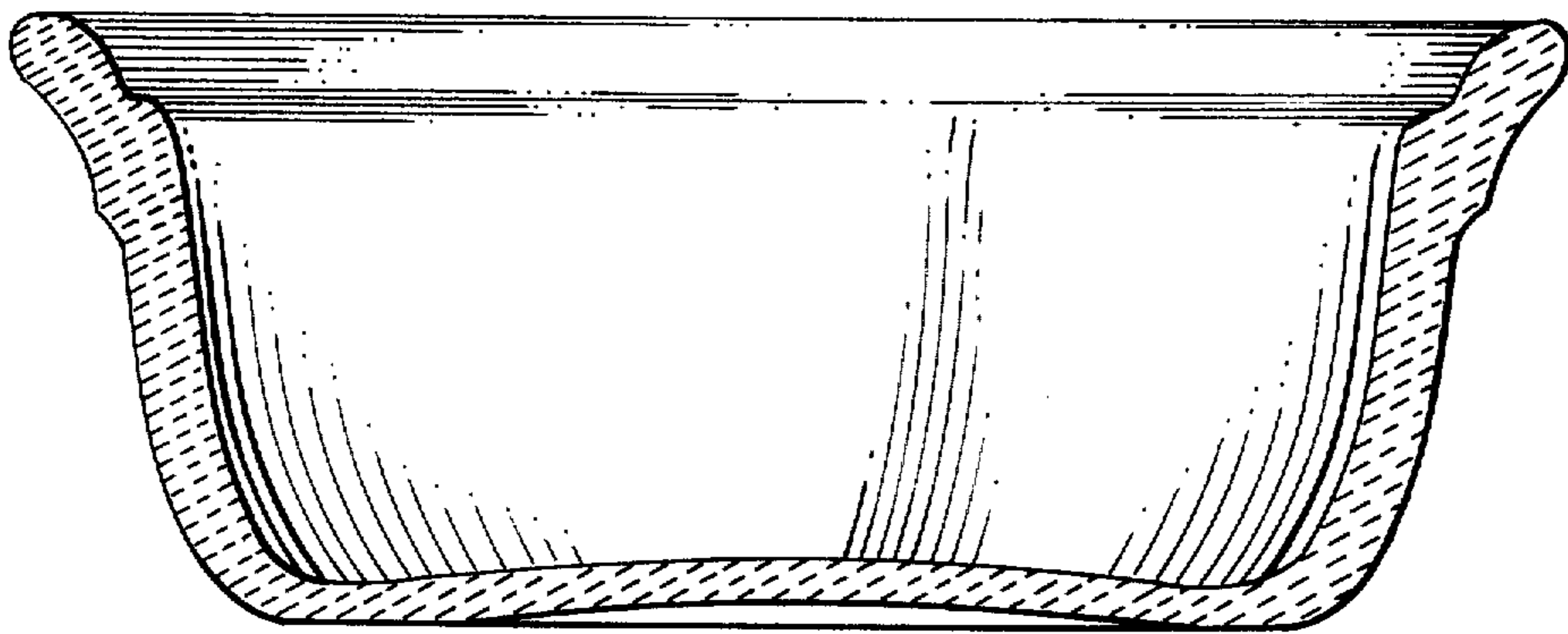


FIG. 7