

[54] CANOPY FOR BED

[76] Inventor: Jackilyn R. Wilks, 3224 Highway 20, Space 16, Sweet Home, Oreg. 97386

[**] Term: 14 Years

[21] Appl. No.: 933,120

[22] Filed: Aug. 11, 1978

[51] Int. Cl. D6—01; D6—13

[52] U.S. Cl. D6/198; D25/56

[58] Field of Search D25/56; D6/198, 79-84; 5/163, 414; 135/5.1-5.3

[56] References Cited

PUBLICATIONS

House Beautiful, vol. 118, No. 12, Dec. 1976, p. 121,

upper right, "Bonnet" of Blue Ridge Cottage Industries.

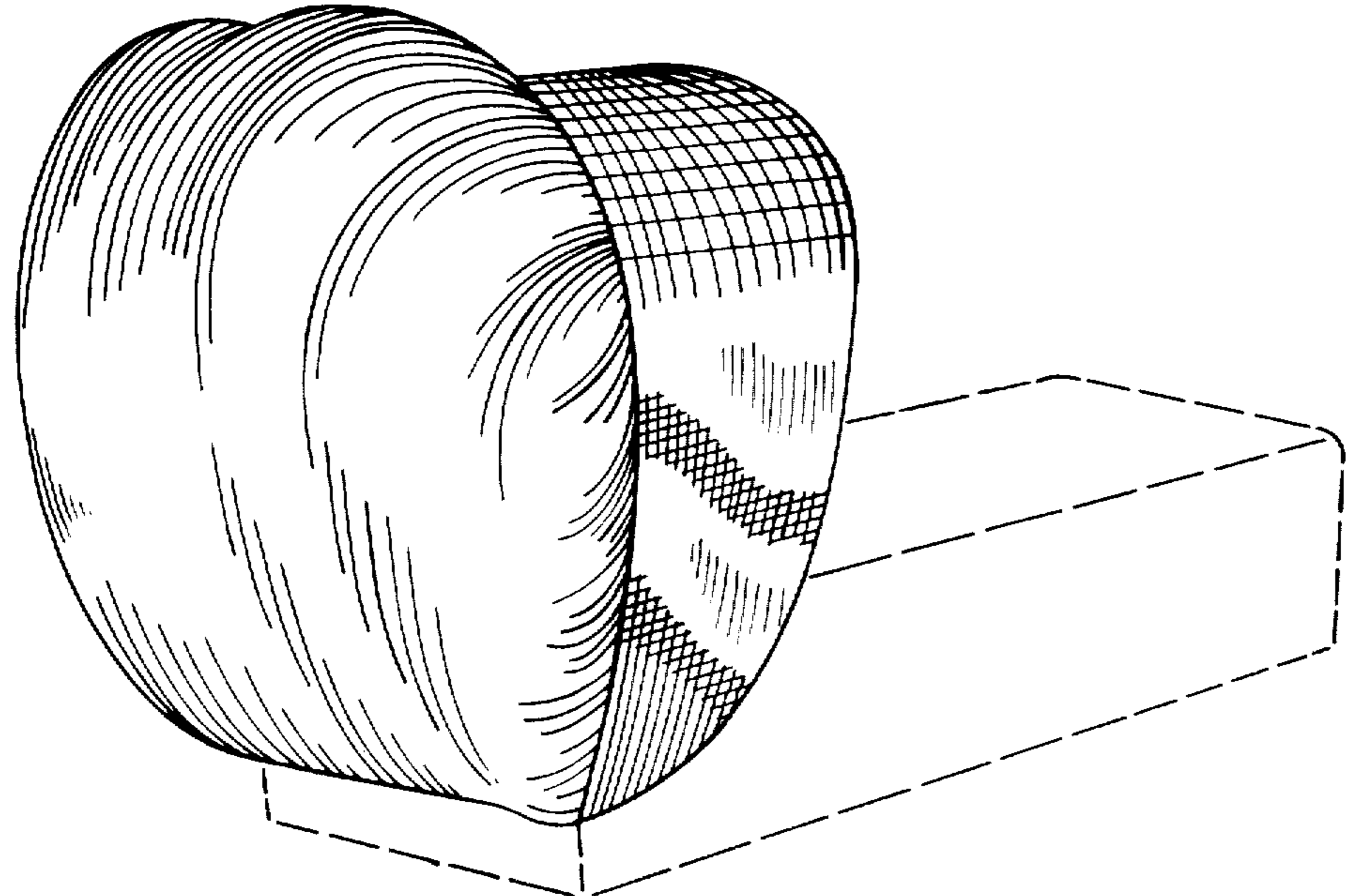
Primary Examiner—Donald B. Moyer
Attorney, Agent, or Firm—Kolisch, Hartwell & Dickinson

[57] CLAIM

The ornamental design for a canopy for bed, as shown.

DESCRIPTION

FIG. 1 is a left rear perspective view of one side and back of a canopy for a bed showing my new design; FIG. 2 is a right front perspective view of the other side and inside thereof.



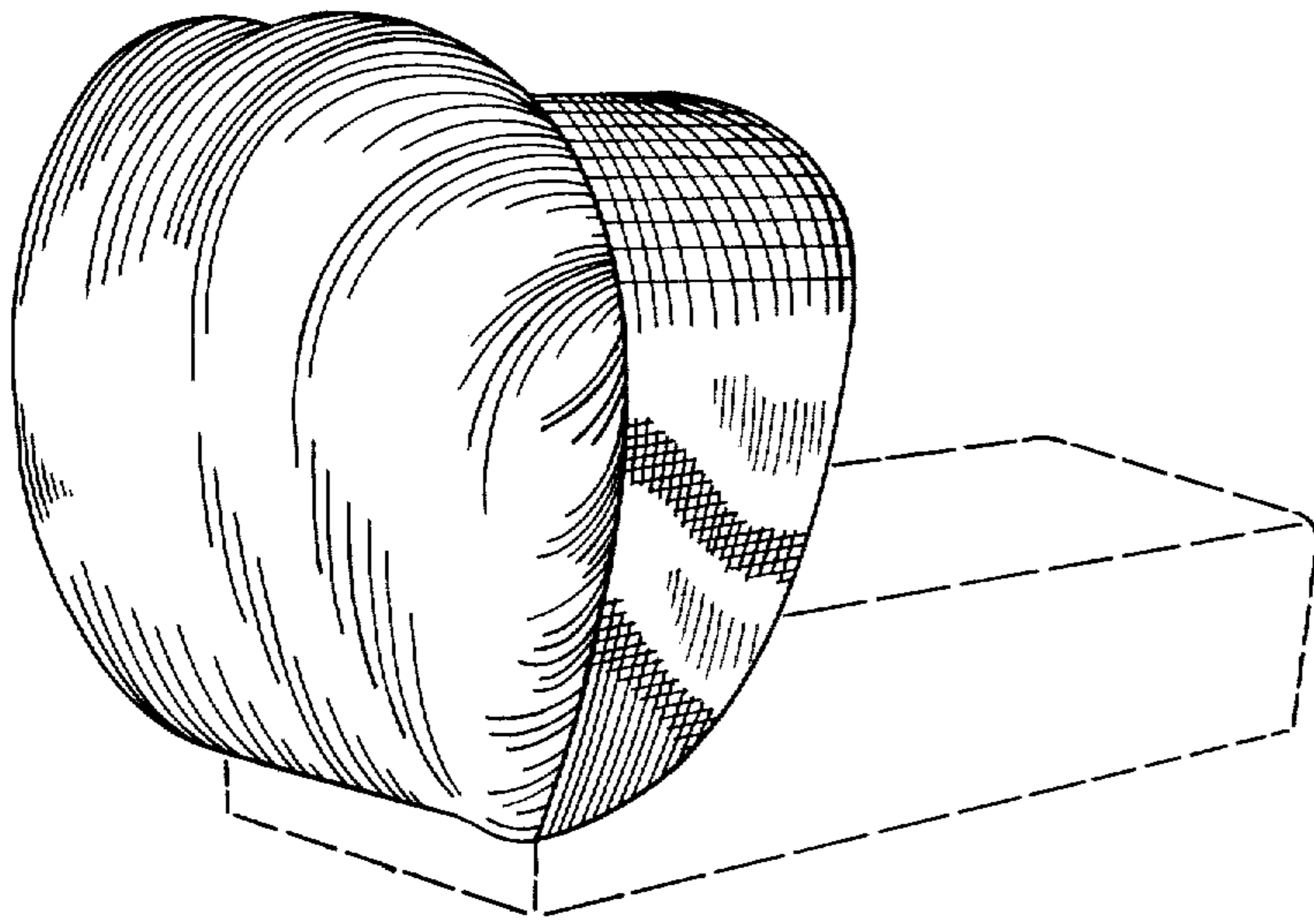


Fig. 1.

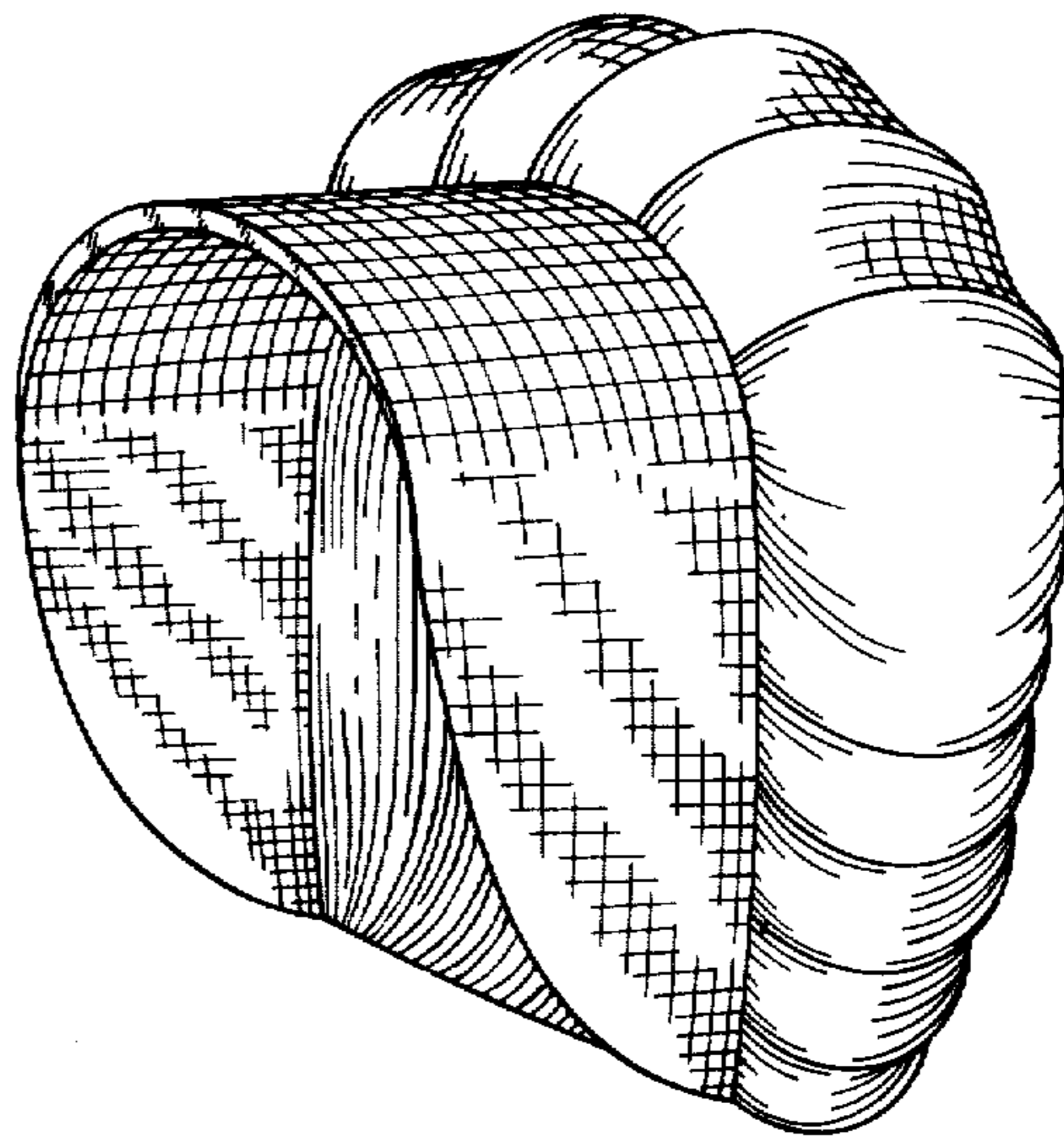


Fig. 2.