

[54] SEAT

[75] Inventor: Milton A. Wilder, Rogersville, Tenn.

[73] Assignee: Bean Station Furniture Factory, Bean Station, Tenn.

[**] Term: 14 Years

[21] Appl. No.: 176,492

[22] Filed: Aug. 8, 1980

[51] Int. Cl. D6-01

[52] U.S. Cl. D6/62

[58] Field of Search D6/47-78

[56] References Cited

U.S. PATENT DOCUMENTS

D. 212,602	11/1968	Gera	D6/62
D. 247,834	5/1978	Beall, Jr.	D6/62
D. 249,411	9/1978	Nash	D6/62
D. 255,515	6/1980	Friedman	D6/63

OTHER PUBLICATIONS

Rowe Furn. Cat., p. C-764, Loveseat No. 8663.
Schweiger Industries Brochure, Olympic Group, Sofa No. D2781-1172.

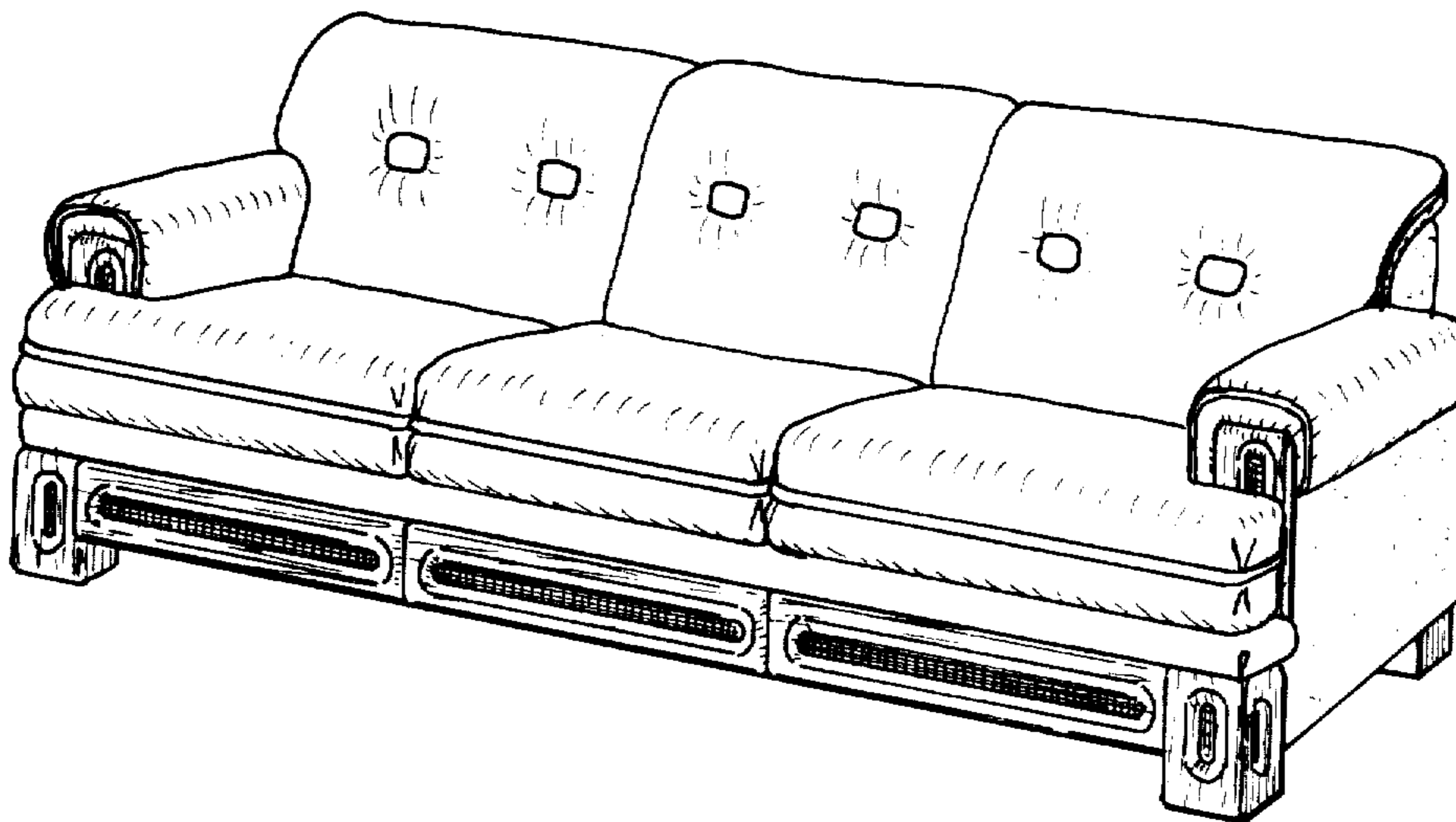
Primary Examiner—Bruce W. Dunkins

[57] CLAIM

The ornamental design for a seat, as shown and described.

DESCRIPTION

FIG. 1 is a front perspective view of a seat in the form of a sofa embodying my design;
FIG. 2 is a perspective view of a seat showing my design in the form of a loveseat; and
FIG. 3 is a perspective view of a seat showing my design in the form of an armchair.
The sides of the seat forms not shown are mirror images of the sides shown while the rear surface of the seat is conventional in appearance.



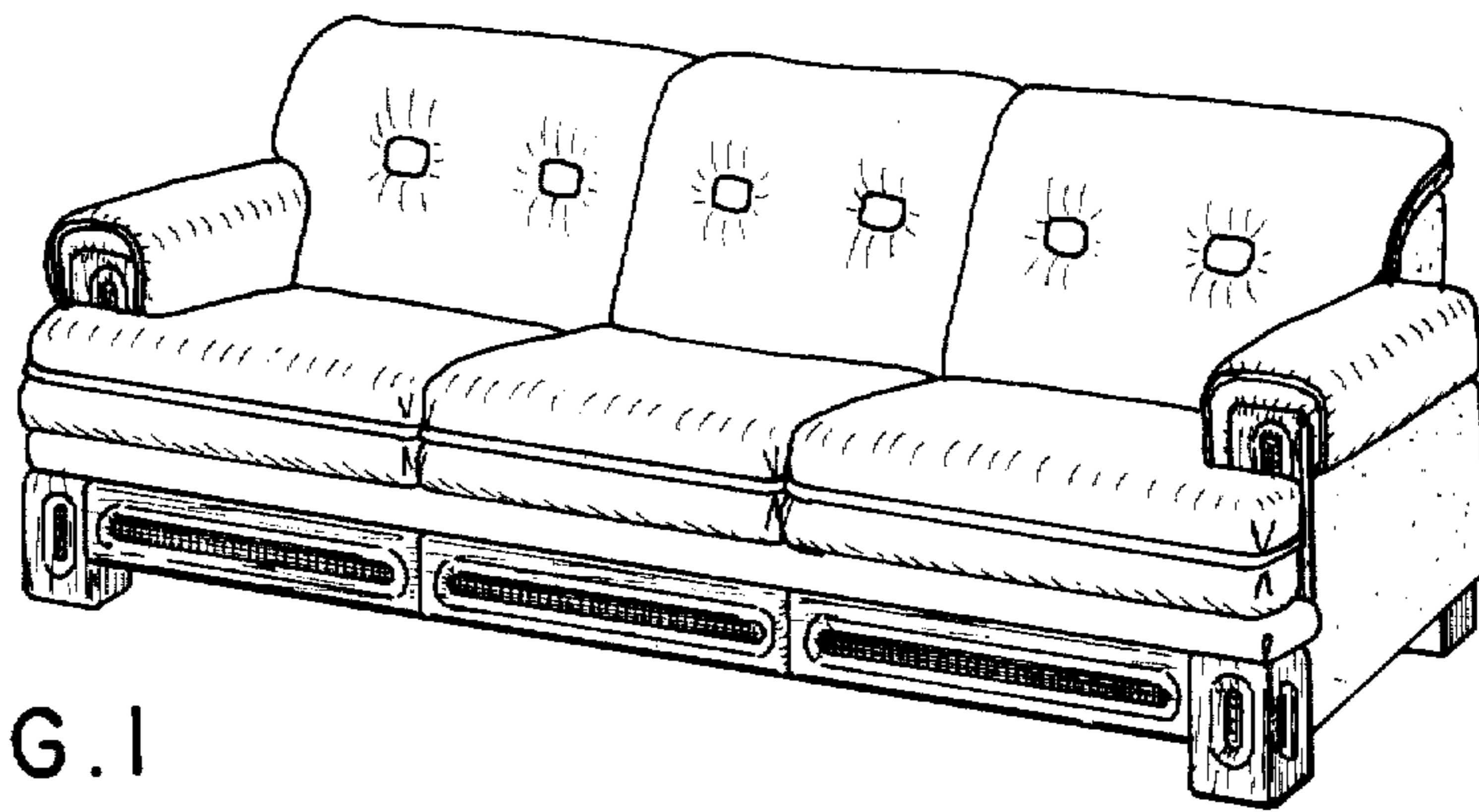


FIG. 1

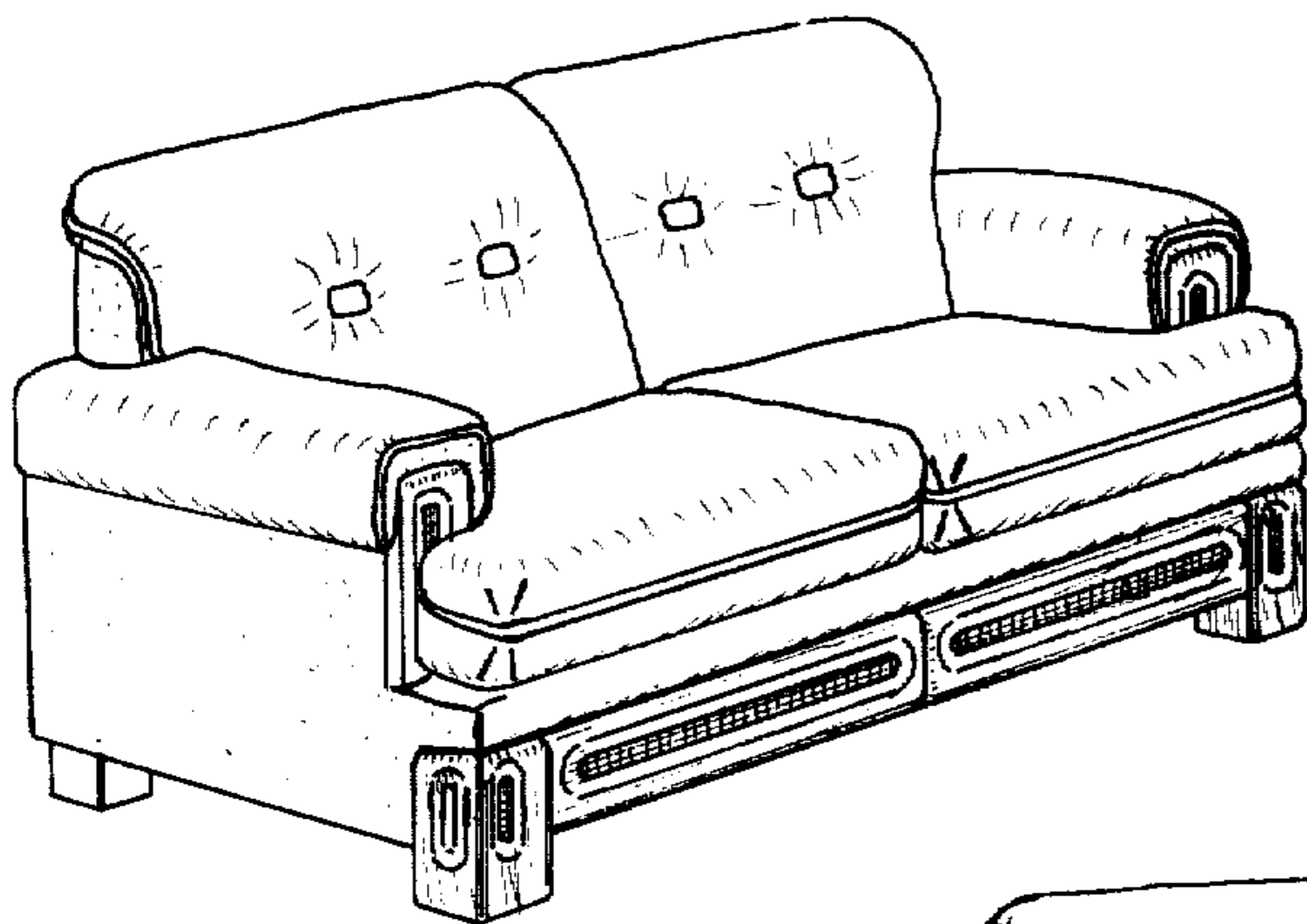


FIG. 2

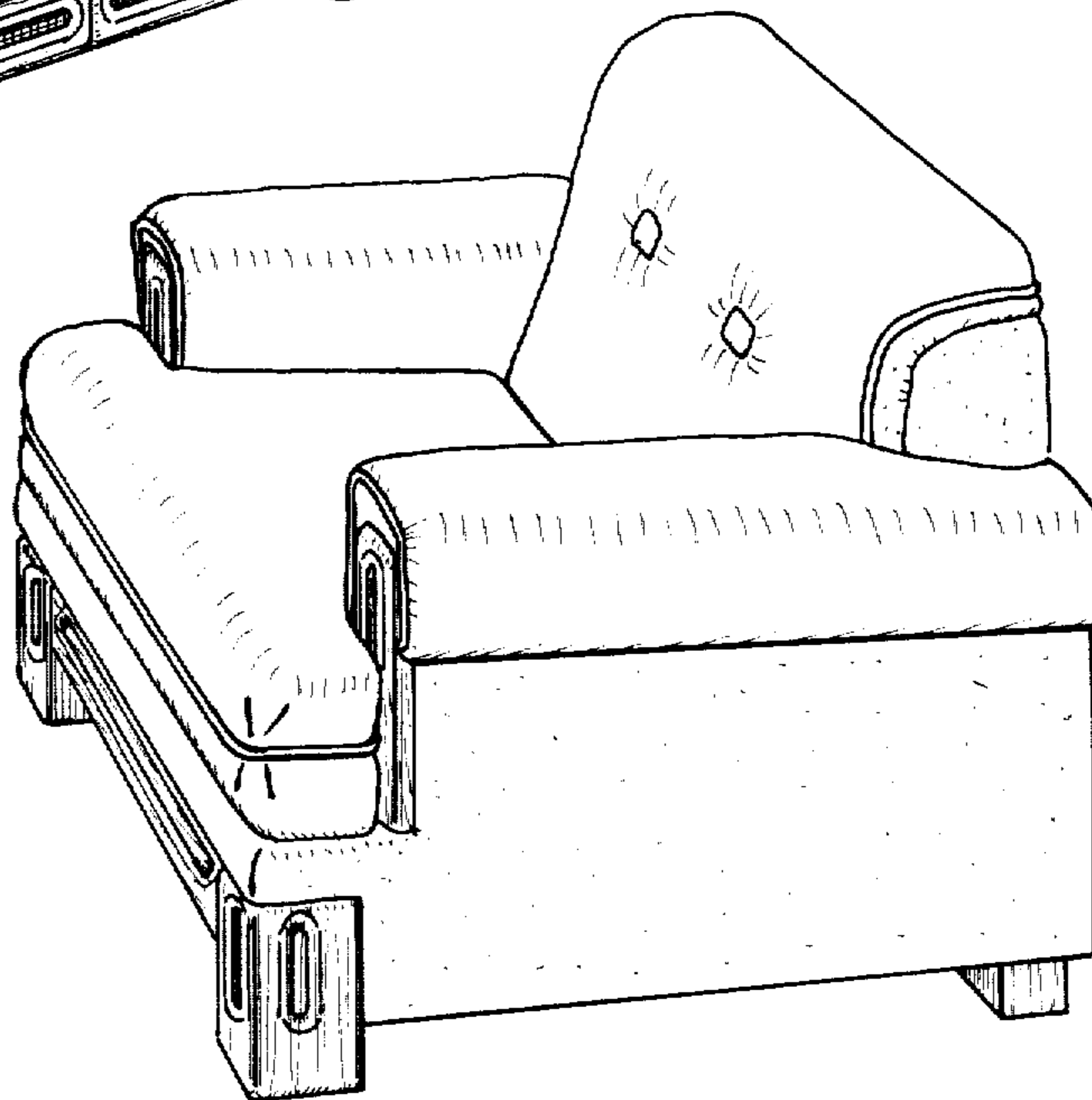


FIG. 3