

[54] COMBINED LADDER BUCKET AND BRUSH HOLDER

[76] Inventor: Abdullah K. Rasheed, 5300 Partridge St., Durham, N.C. 27704

[**] Term: 14 Years

[21] Appl. No.: 172,980

[22] Filed: Jul. 28, 1980

[51] Int. Cl. D8-08
[52] U.S. Cl. D32/54; D8/373
[58] Field of Search 248/110, 211, 210; D8/373; D4/38.2, 38.3; D32/54; D25/68

References Cited

U.S. PATENT DOCUMENTS

D. 209,809	1/1968	Bennett	D32/54
2,674,427	4/1954	Woodward et al.	248/211
3,738,601	6/1973	Gehringer	248/210
3,757,380	9/1973	Jackson	248/211 X

3,980,264 9/1976 Tomasik 248/110 X

FOREIGN PATENT DOCUMENTS

733181 7/1955 United Kingdom 248/211

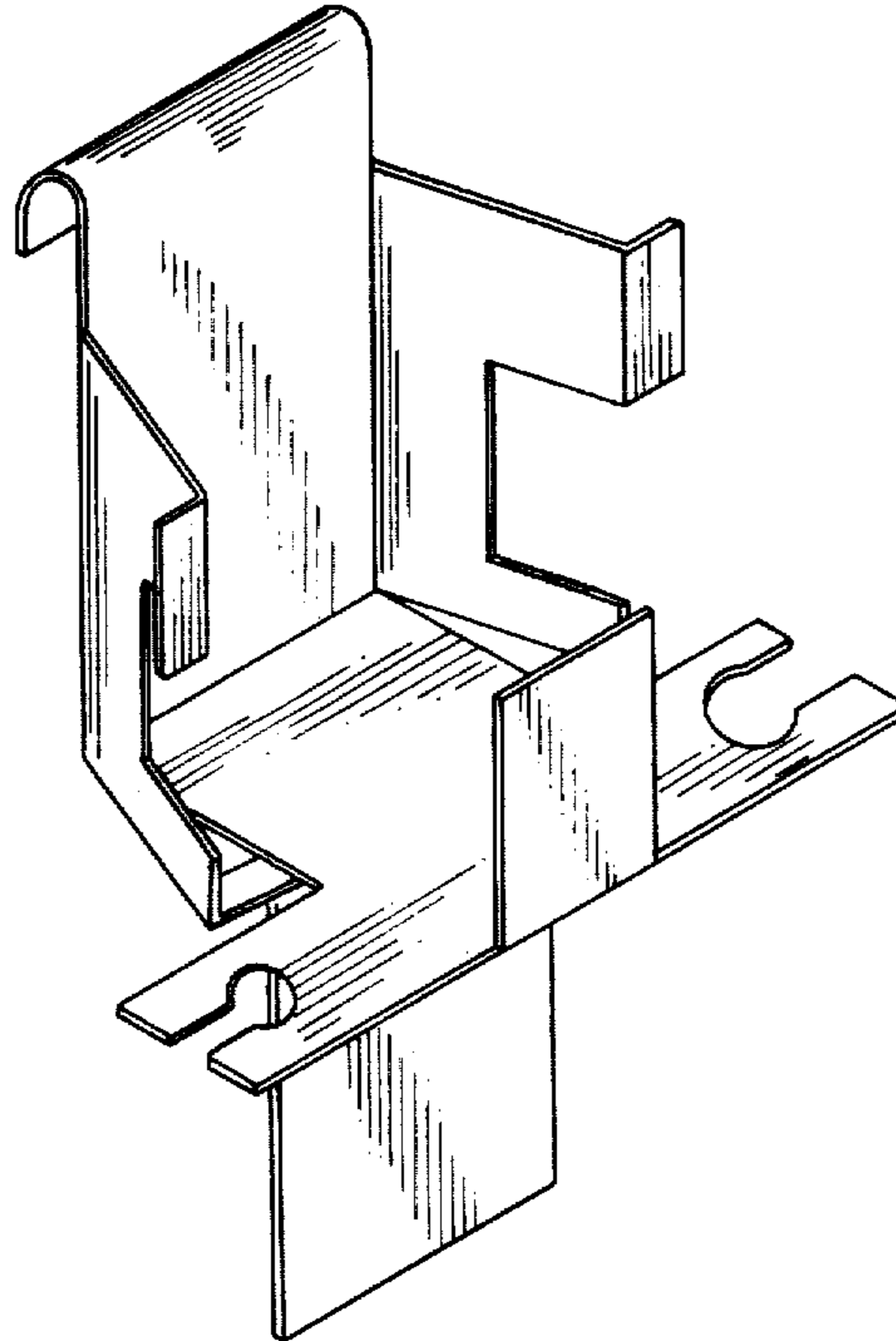
Primary Examiner—A. Hugo Word
Attorney, Agent, or Firm—B. B. Olive

[57] CLAIM

The ornamental design for a combined ladder bucket and brush holder, substantially as shown and described.

DESCRIPTION

FIG. 1 is a perspective view of a combined ladder bucket and brush holder embodying my new design; FIG. 2 is a front elevation view of the combined ladder bucket and brush holder shown in FIG. 1; FIG. 3 is a rear elevation view thereof; FIG. 4 is a left side elevation view thereof; FIG. 5 is a right side elevation view thereof; FIG. 6 is a top plan view of the combined ladder bucket and brush holder; and FIG. 7 is a bottom plan view thereof.



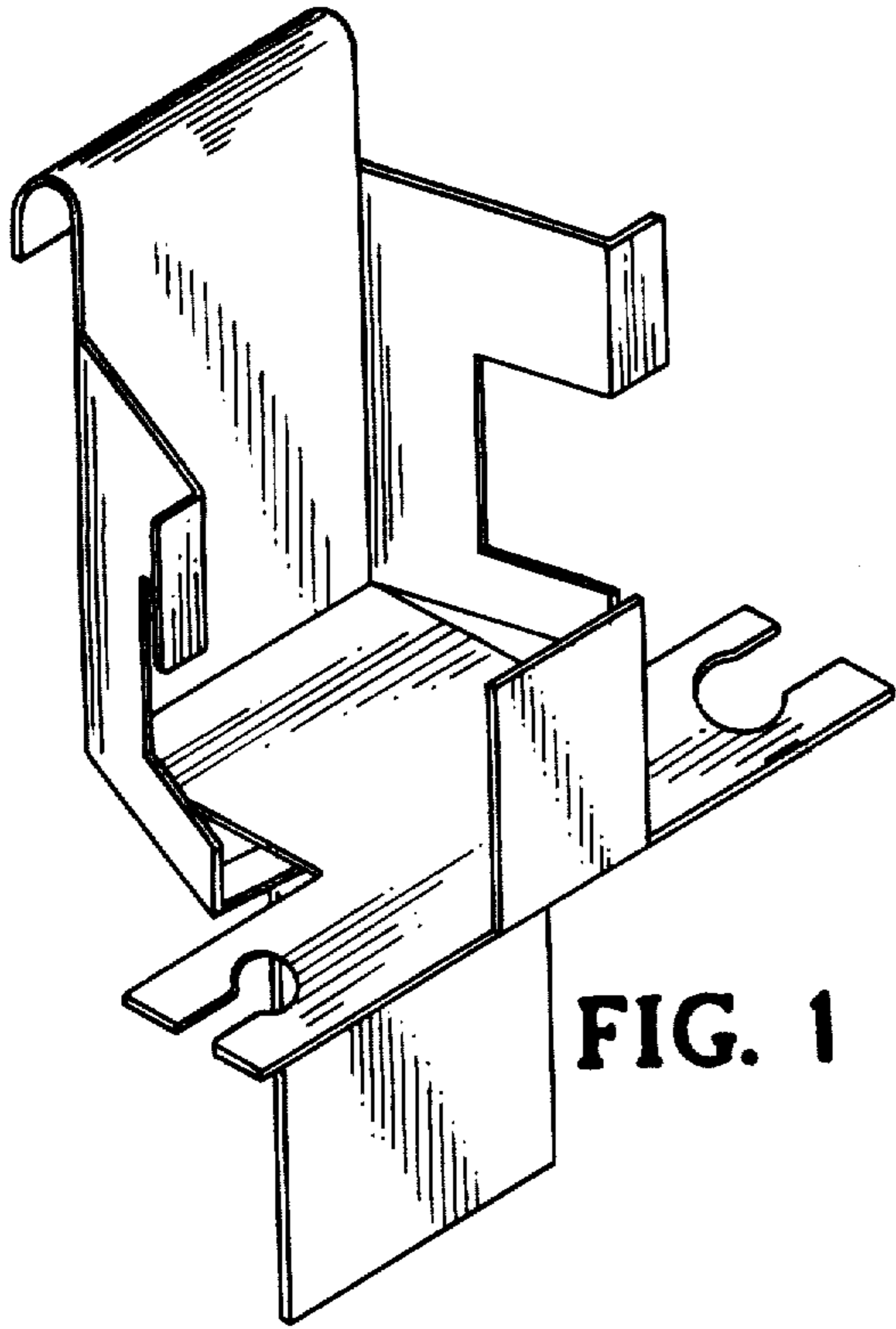


FIG. 1

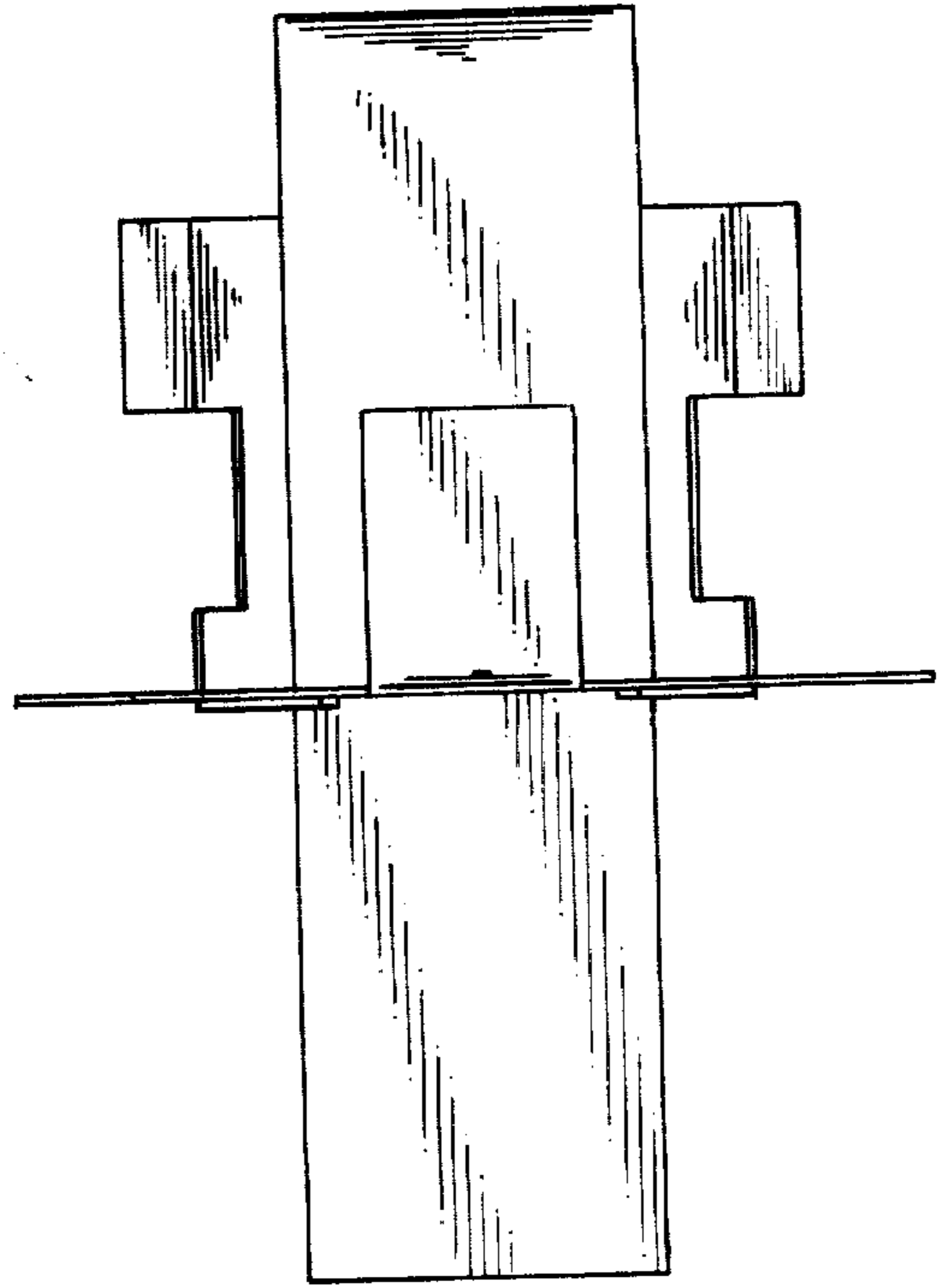


FIG. 2

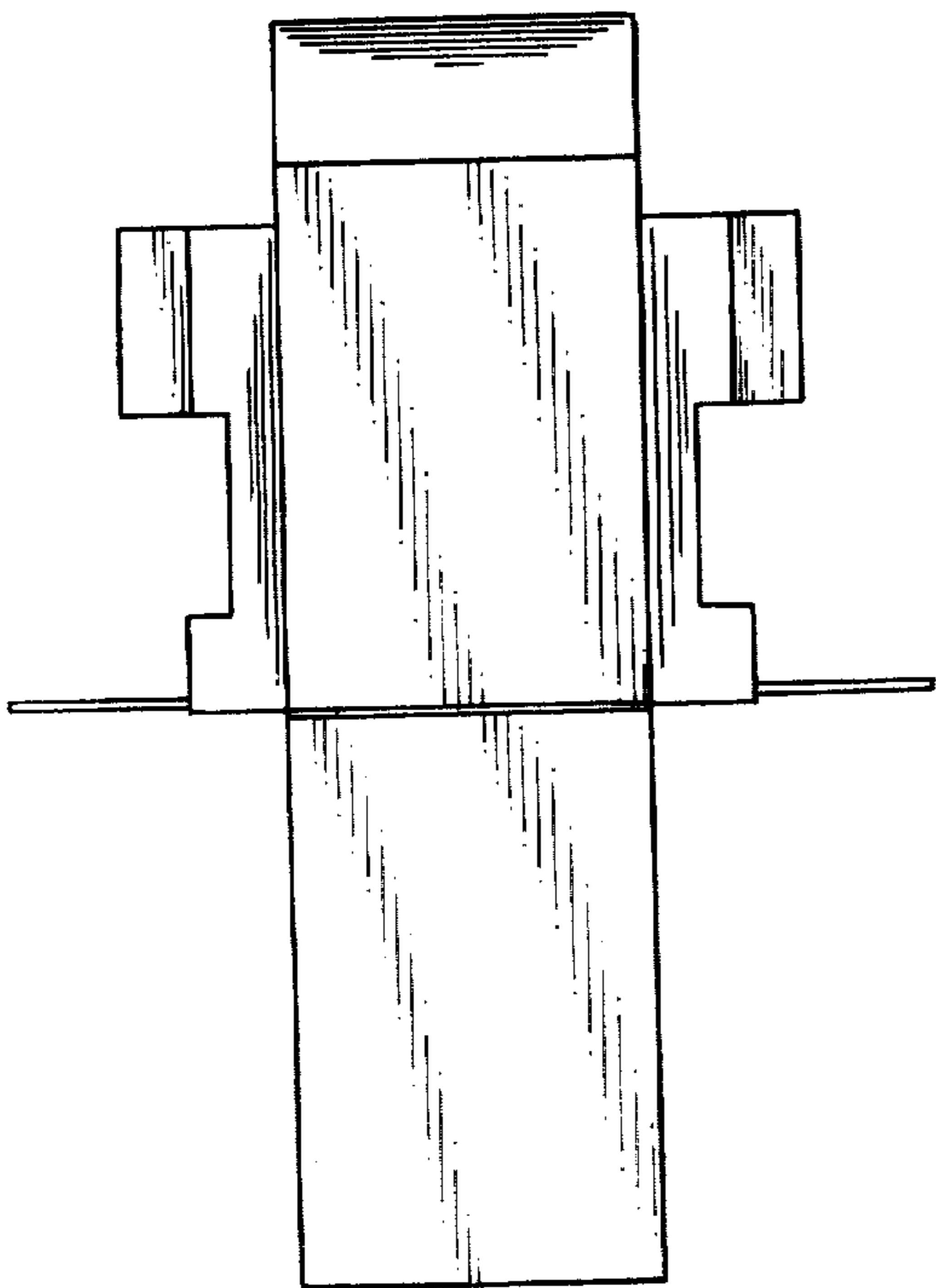


FIG. 3

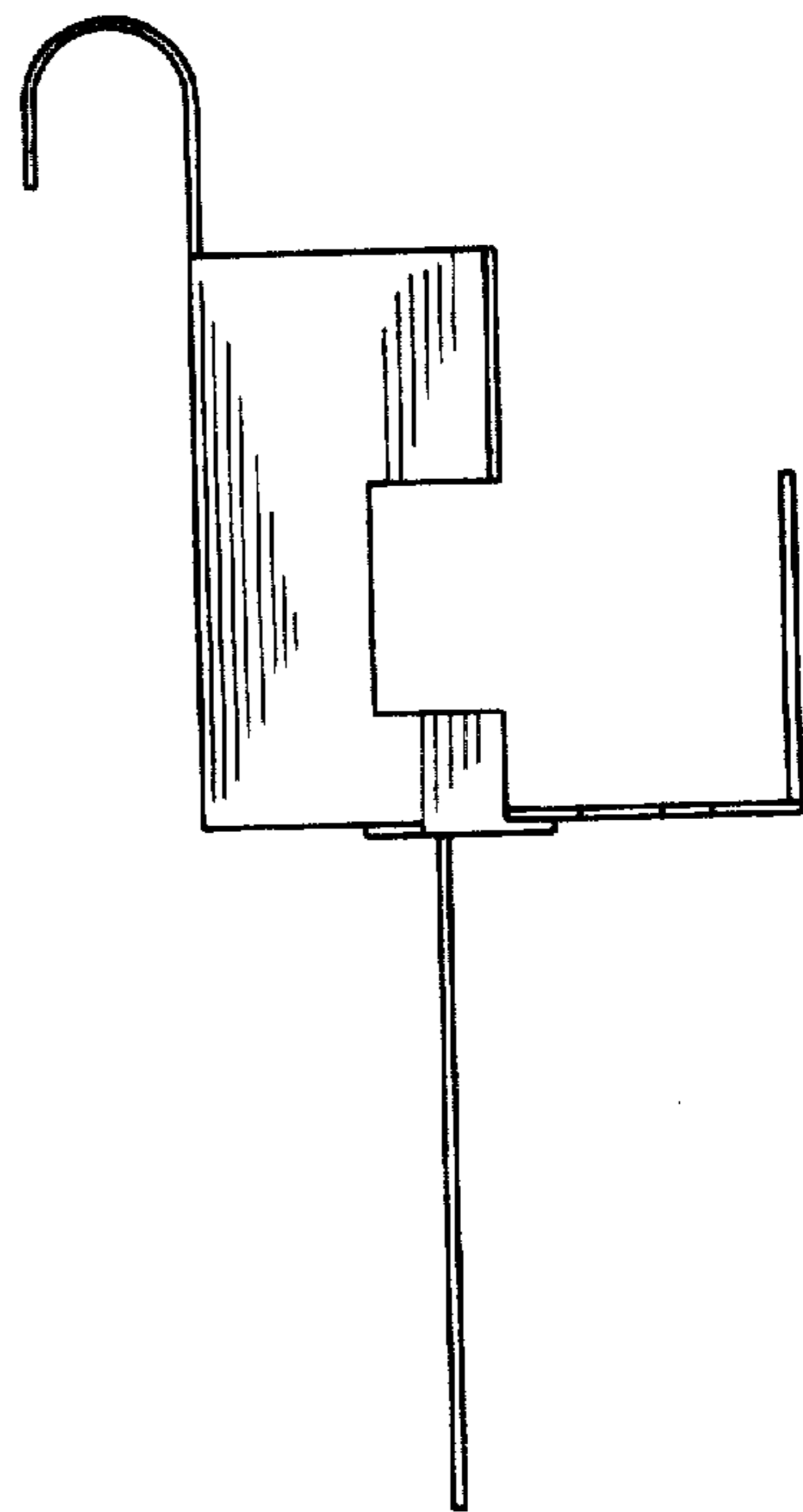


FIG. 4

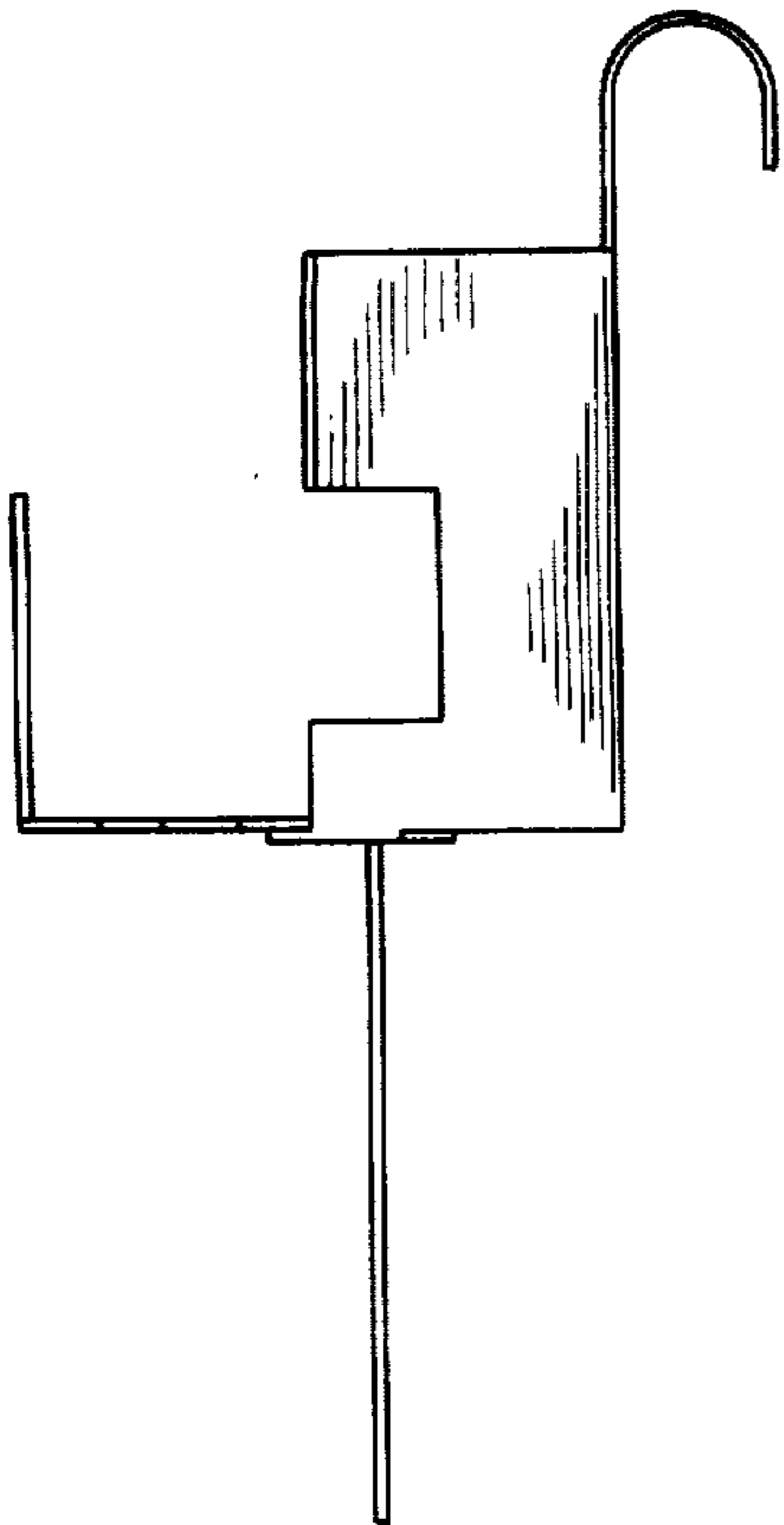


FIG. 5

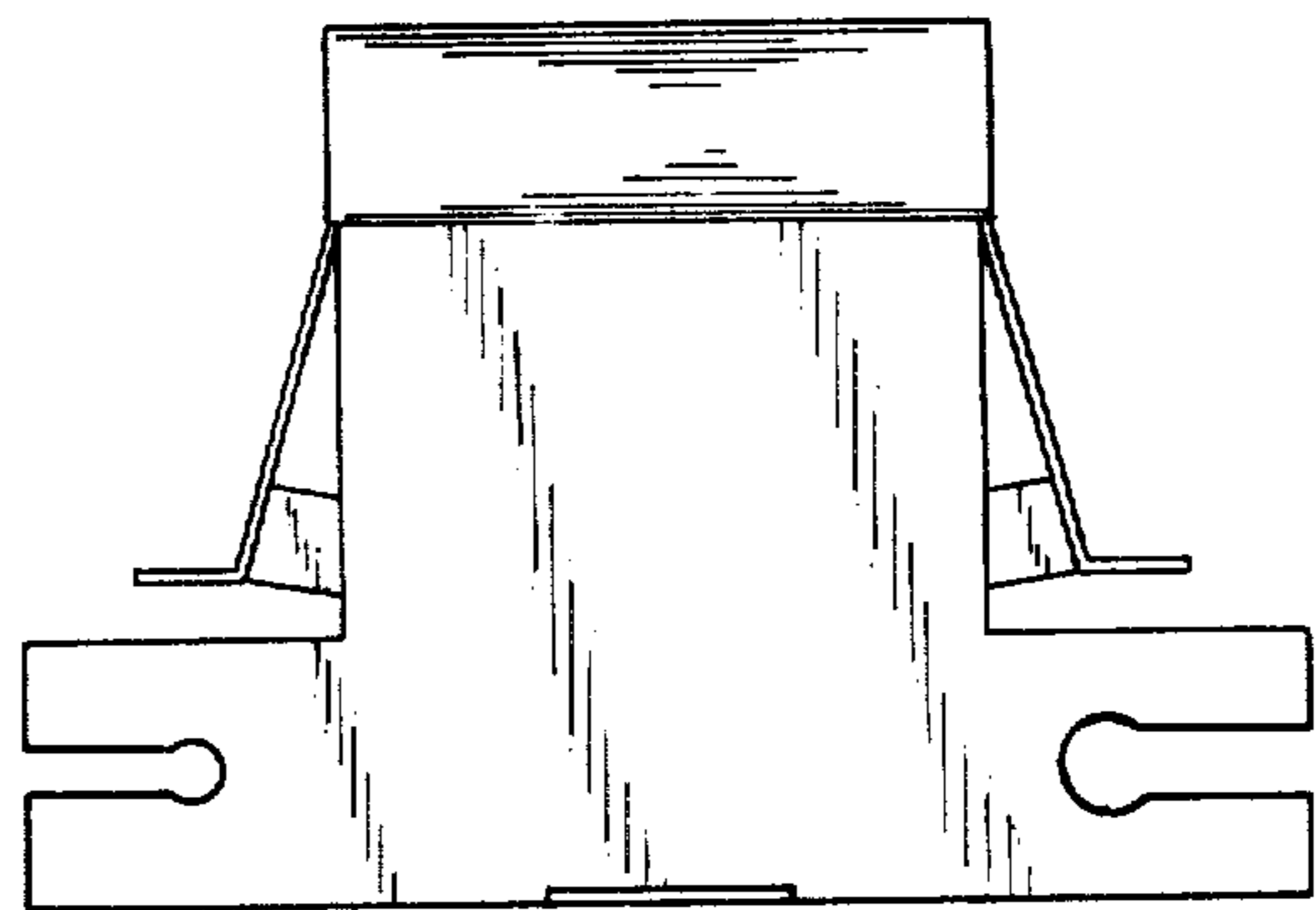


FIG. 6

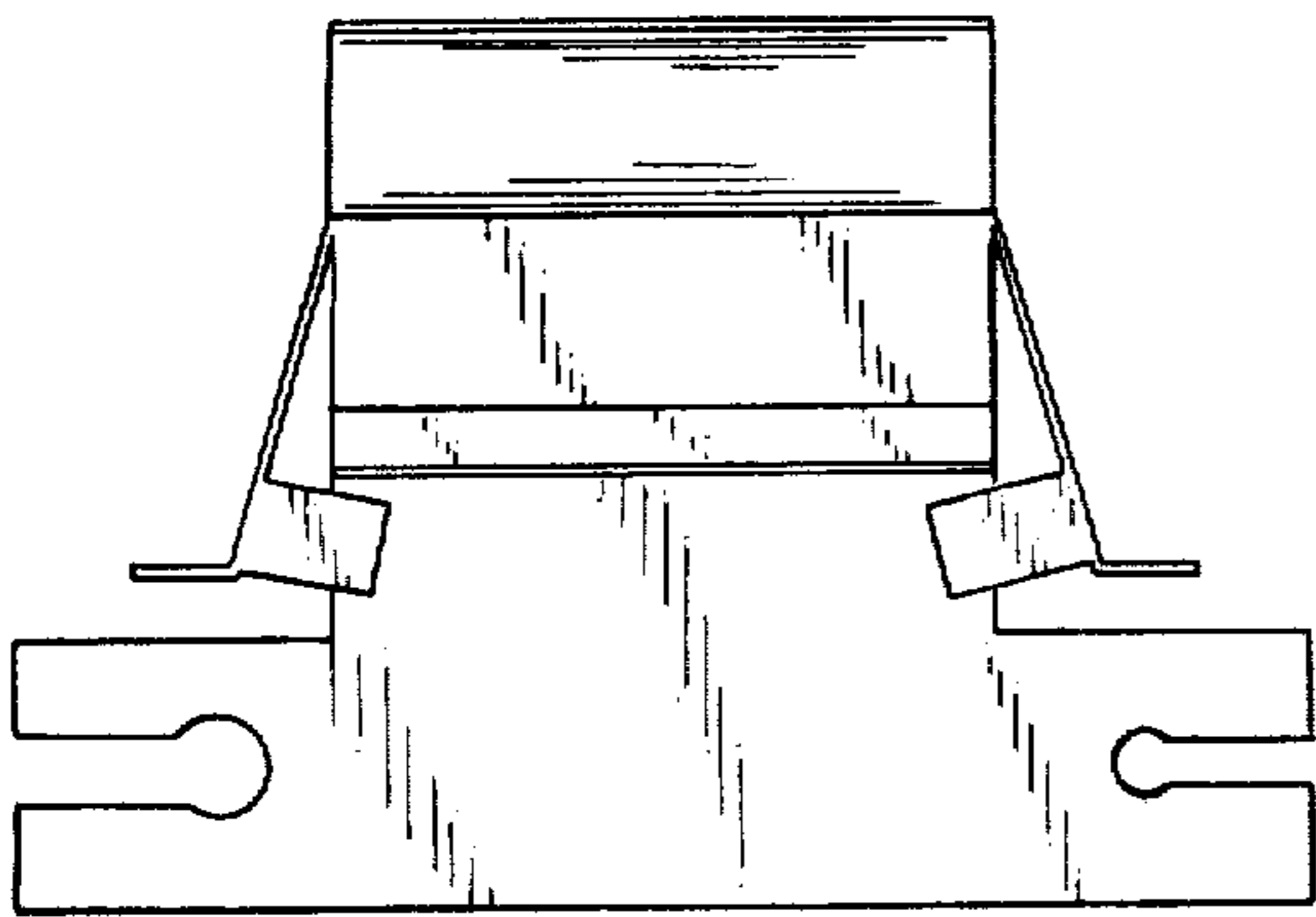


FIG. 7