

[54] FABRIC CLEANING HEAD

[76] Inventors: William R. Hachtmann, 5072 Walnut Park Dr.; Arlen M. Knight, 1141 N. Patterson Ave., both of Santa Barbara, Calif. 93111

[**] Term: 14 Years

[21] Appl. No.: 203,993

[22] Filed: Nov. 4, 1980

[51] Int. Cl. D15-05

[52] U.S. Cl. D32/33

[58] Field of Search D32/1-15, D32/25-34; 15/321, 322

[56] References Cited

U.S. PATENT DOCUMENTS

D. 179,671	2/1957	Andersson-Sason	D32/33
D. 232,298	8/1974	Jones	D32/32
2,996,743	8/1961	Noble	15/321

3,431,582	3/1969	Gravo	15/321
3,538,535	11/1970	Ginsburgh et al.	15/322
3,866,264	2/1975	Engquist	15/322
4,074,387	2/1978	Arato et al.	15/322
4,159,554	7/1979	Knight et al.	15/321
4,194,262	3/1980	Finley et al.	15/322 X

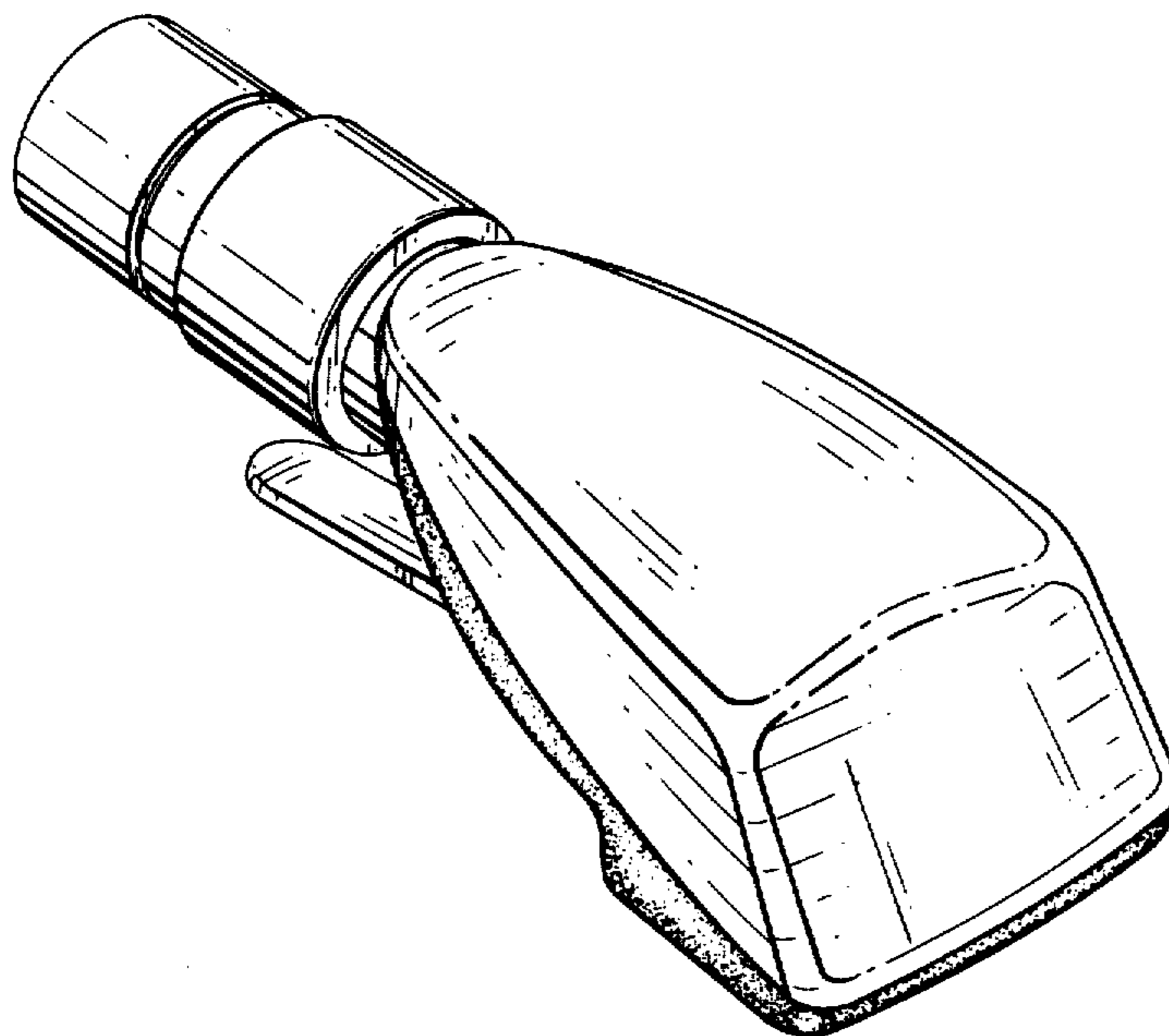
Primary Examiner—James R. Largen
Attorney, Agent, or Firm—Ralph B. Pastoriza

[57] CLAIM

The ornamental design for a fabric cleaning head, substantially as shown.

DESCRIPTION

FIG. 1 is a perspective view of a fabric cleaning head showing our new design;
FIG. 2 is a front elevational view thereof;
FIG. 3 is a side elevational view thereof;
FIG. 4 is a top plan view thereof;
FIG. 5 is a rear elevational view thereof; and
FIG. 6 is a bottom plan view thereof.



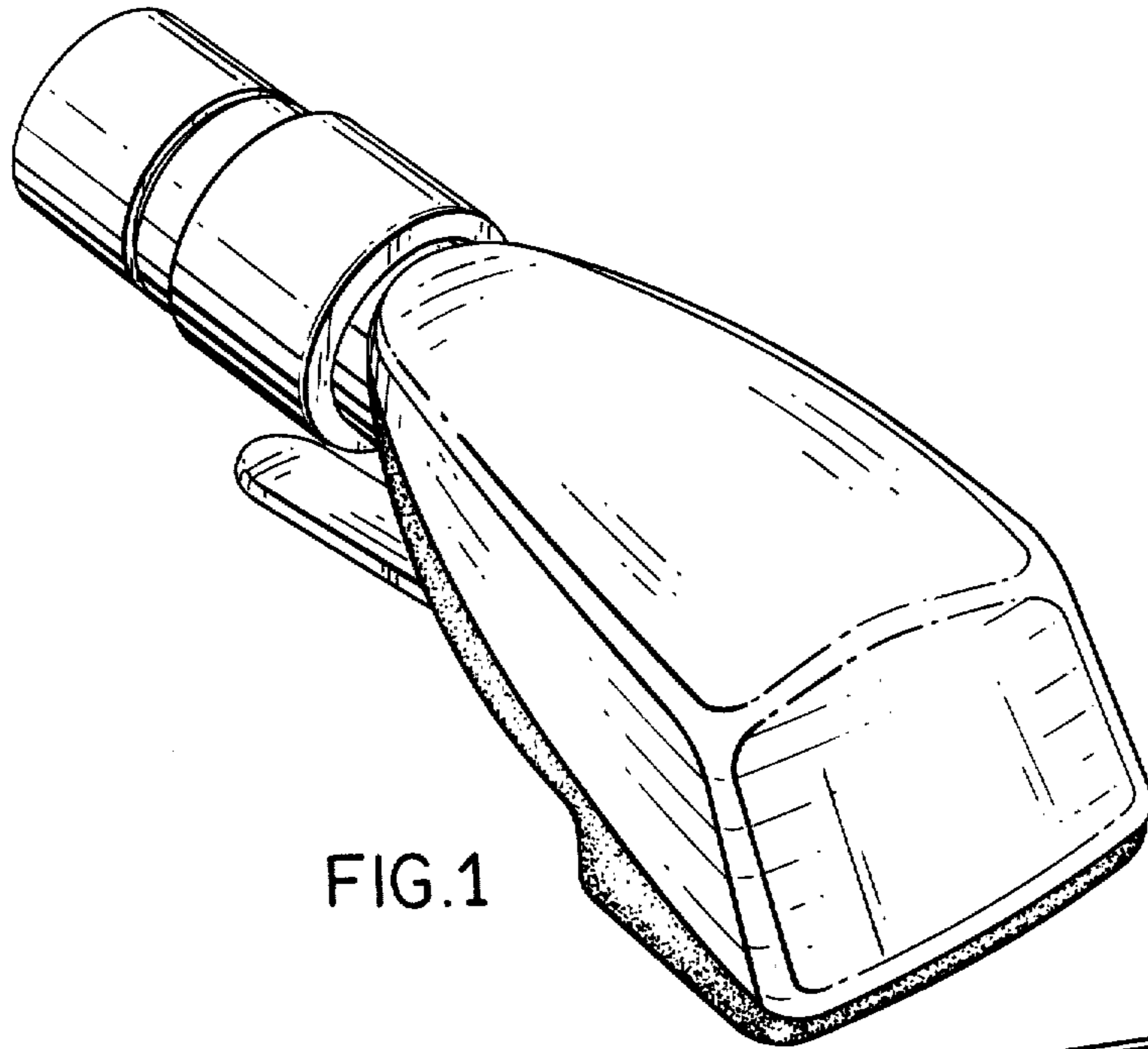


FIG. 1

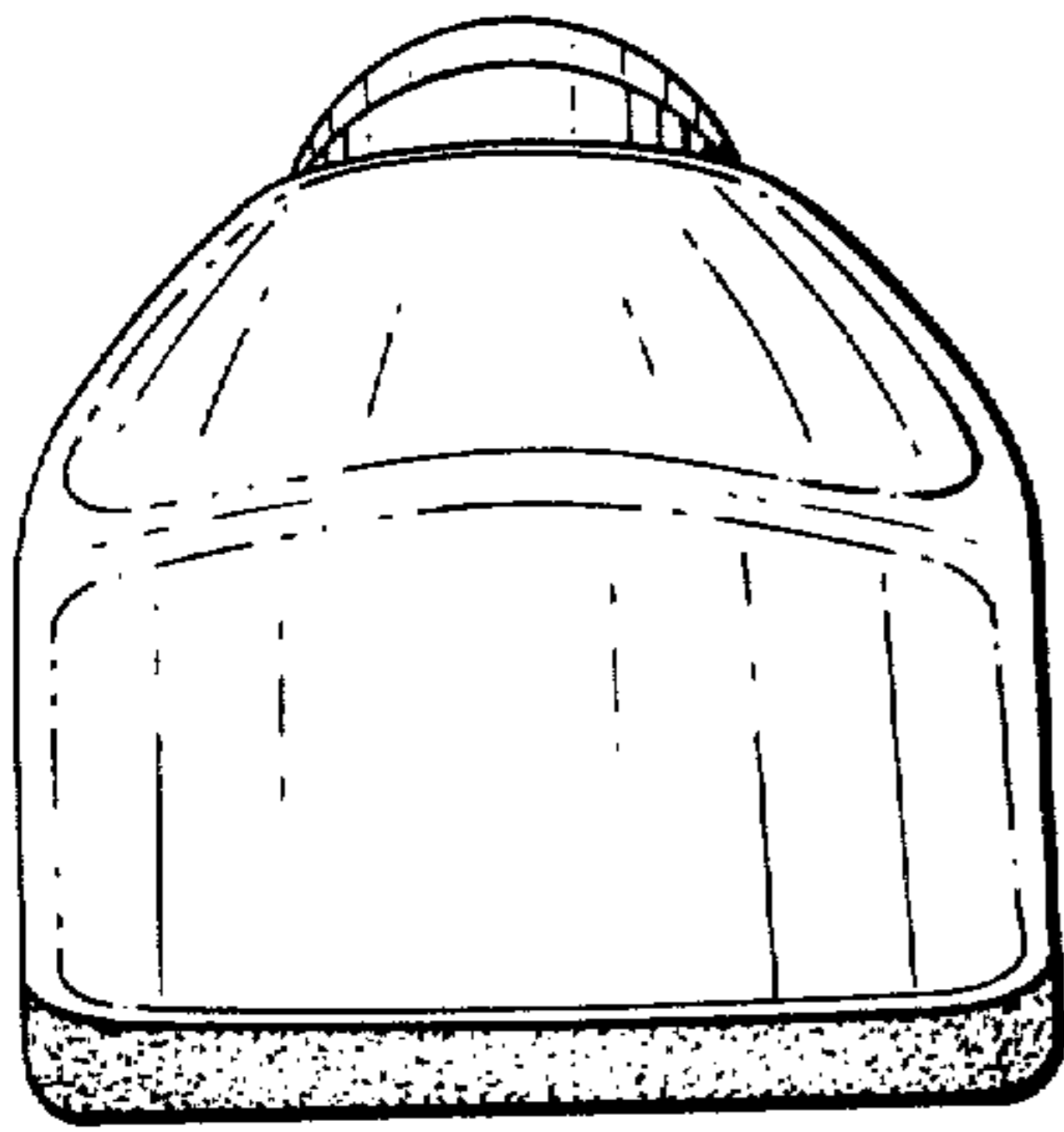


FIG. 2

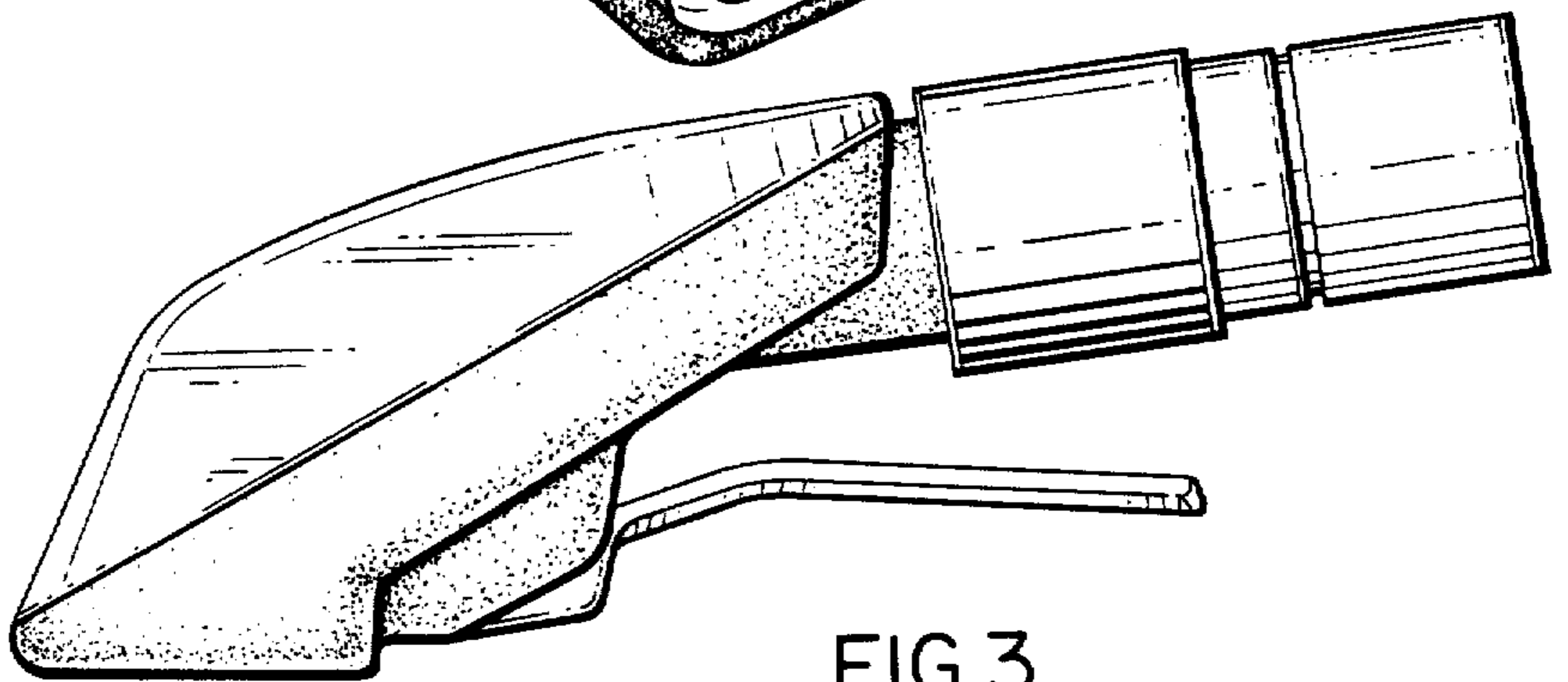


FIG. 3

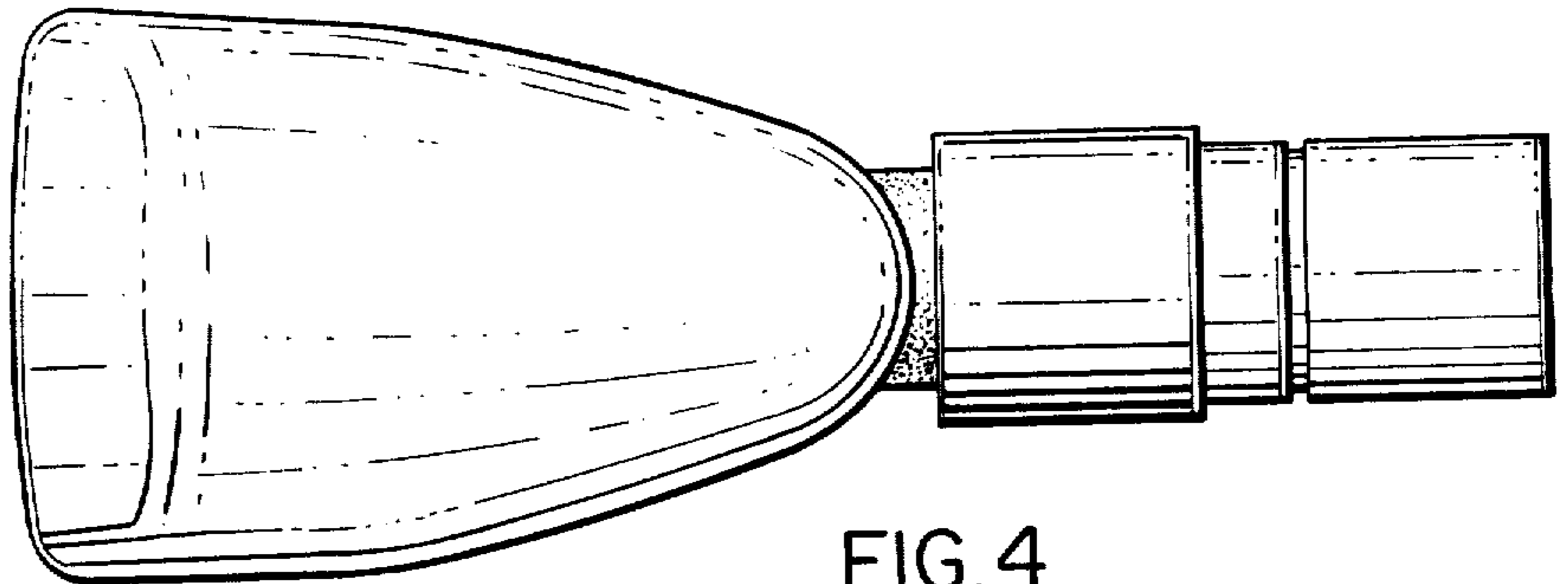


FIG. 4

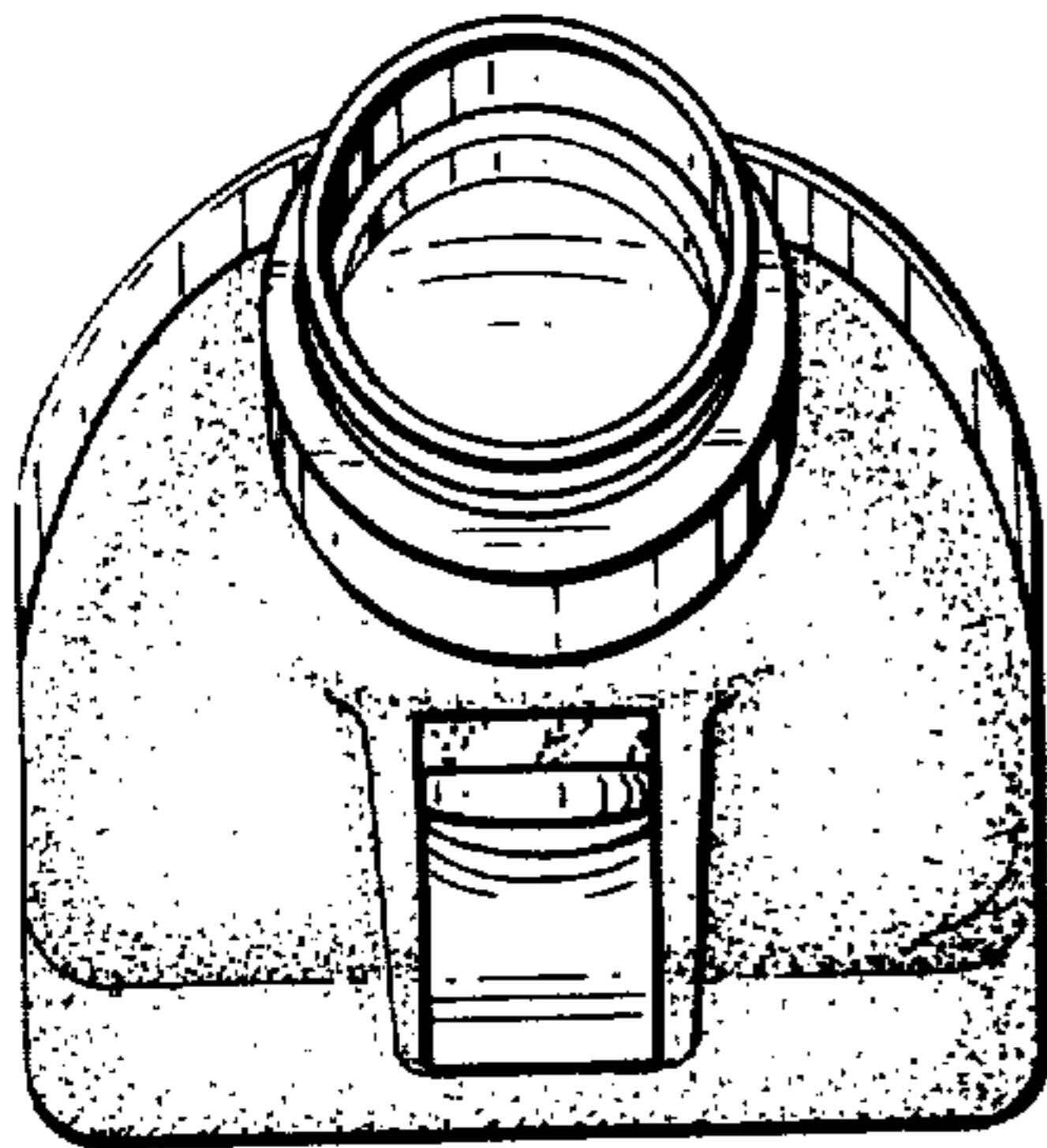


FIG. 5

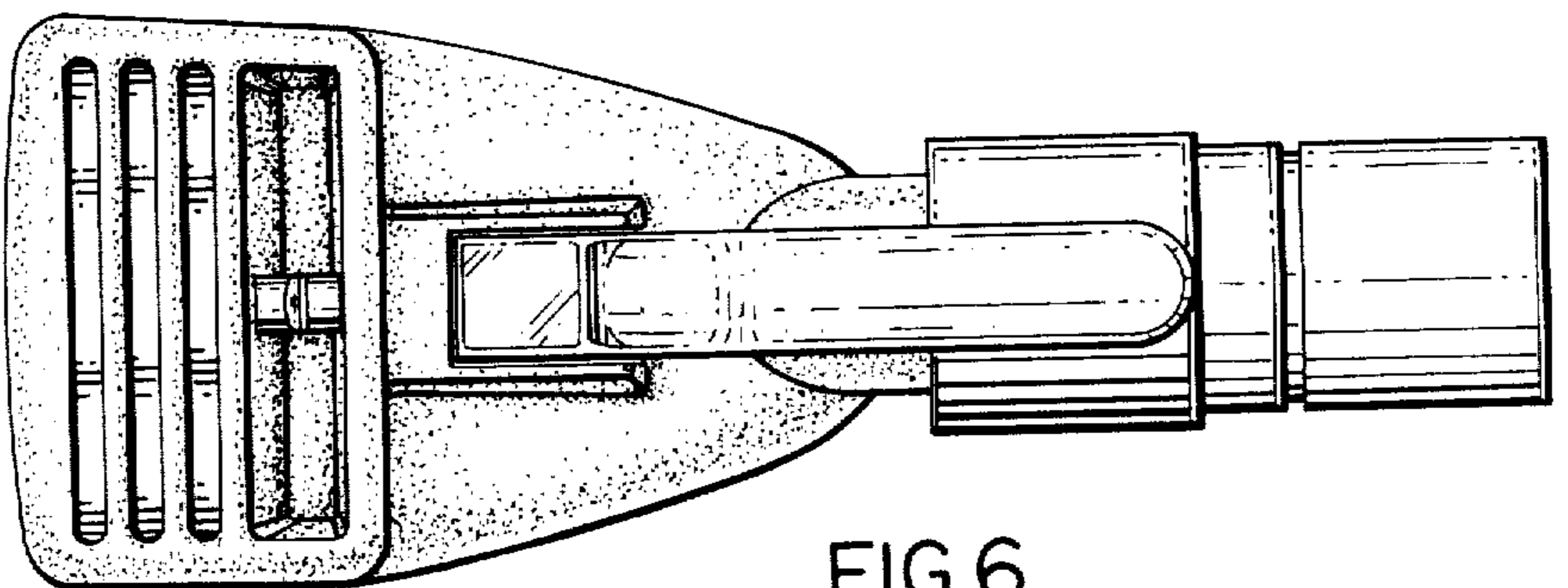


FIG. 6