

[54] **PERFUME DISPENSER**

[75] Inventor: **Pierre Balleraud**, Damarie, France
[73] Assignee: **Paco Rabanne Parfums**, Paris, France
[**] Term: **14 Years**
[21] Appl. No.: **235,911**
[22] Filed: **Feb. 19, 1981**

[30] **Foreign Application Priority Data**
Oct. 6, 1980 [XH] Hague DM/000387
[51] Int. Cl. **D28-03**
[52] U.S. Cl. **D28/91.1; D28/5**
[58] Field of Search **D28/4-6,**
D28/9, 73, 84-91.1, 99; D9/300; D27/36, 39;
132/79 R, 79 C; 206/385; 239/333, 353

[56] **References Cited**

U.S. PATENT DOCUMENTS
D. 244,783 6/1977 O'Brien D27/36
4,073,612 2/1978 Nitta D27/36 X

FOREIGN PATENT DOCUMENTS
766123 4/1934 France D28/85

OTHER PUBLICATIONS

Beauty Fashion, 9/1980, p. 71—Ted Lapidus TM Fragrance at front left.
Beauty Fashion, 4/1980, p. 47—Container at top center.
Beauty Fashion, 9/1980, p. 17—Perfume at bottom right.
Primary Examiner—Louis S. Zarfes
Attorney, Agent, or Firm—Mason, Fenwick & Lawrence

[57] **CLAIM**

The ornamental design for a perfume dispenser, substantially as shown and described.

DESCRIPTION

FIG. 1 is a perspective view of a perfume dispenser showing my new design;
FIG. 2 is an exploded perspective view thereof illustrating the top in a removed position;
FIG. 3 is front elevational view thereof;
FIG. 4 is a side elevational view thereof with it being understood that the opposite side is of identical appearance;
FIG. 5 is a rear elevational view thereof;
FIG. 6 is a top plan view thereof; and
FIG. 7 is a bottom plan view thereof.

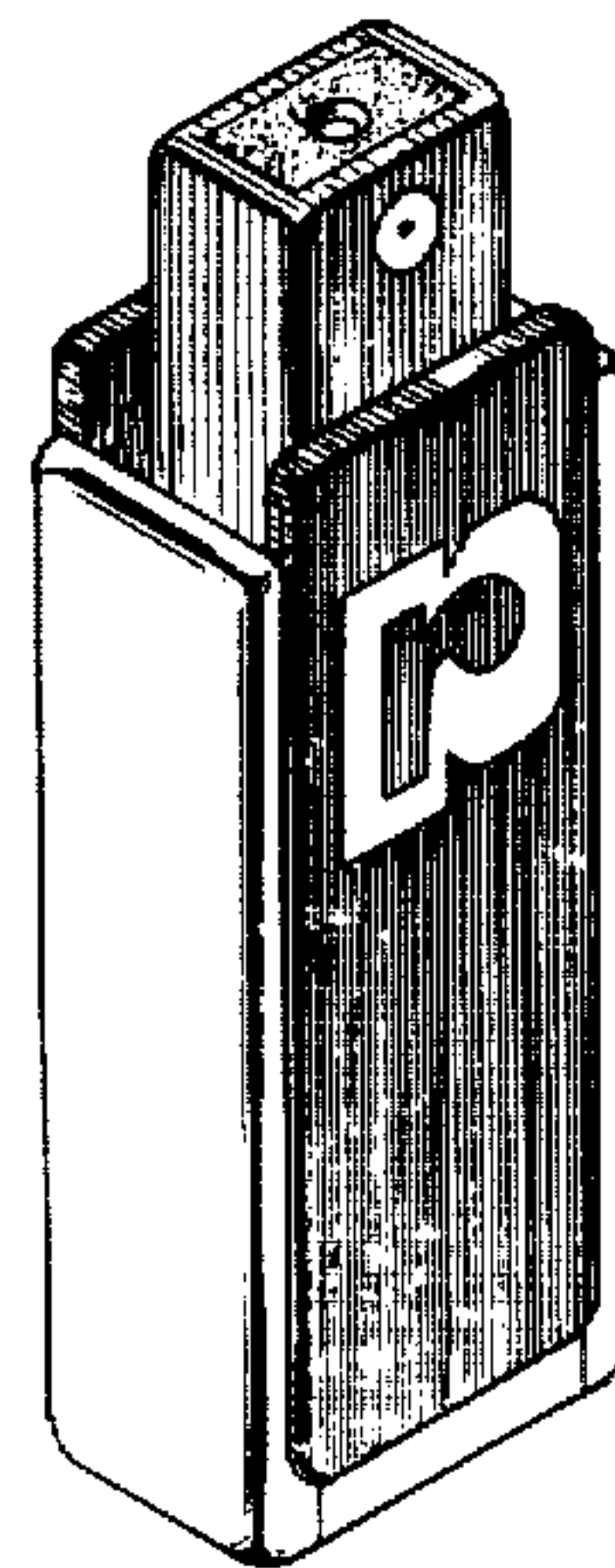
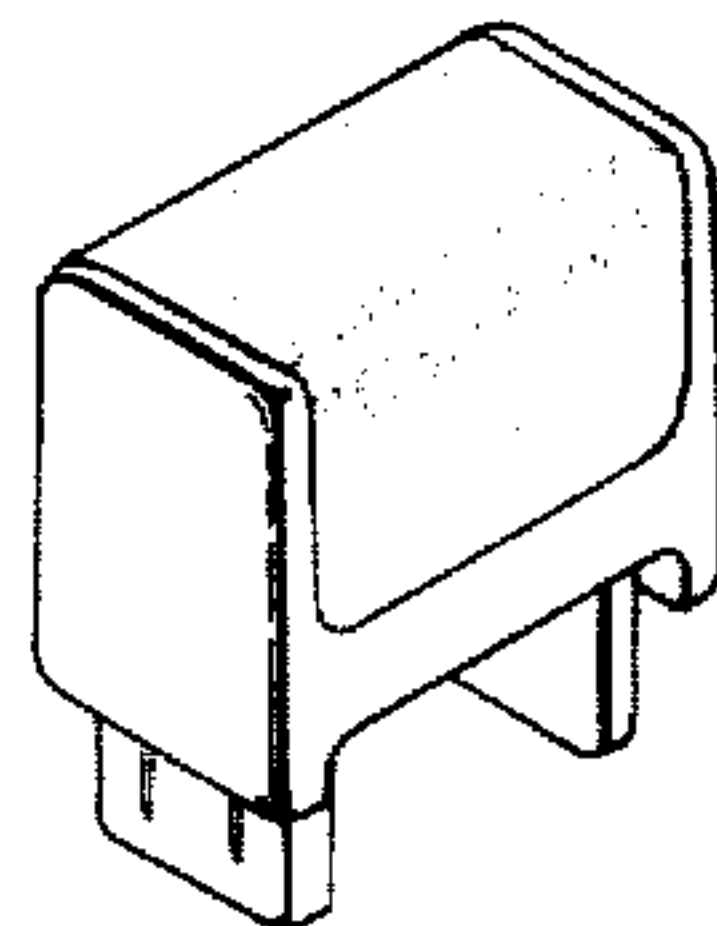


Fig-1

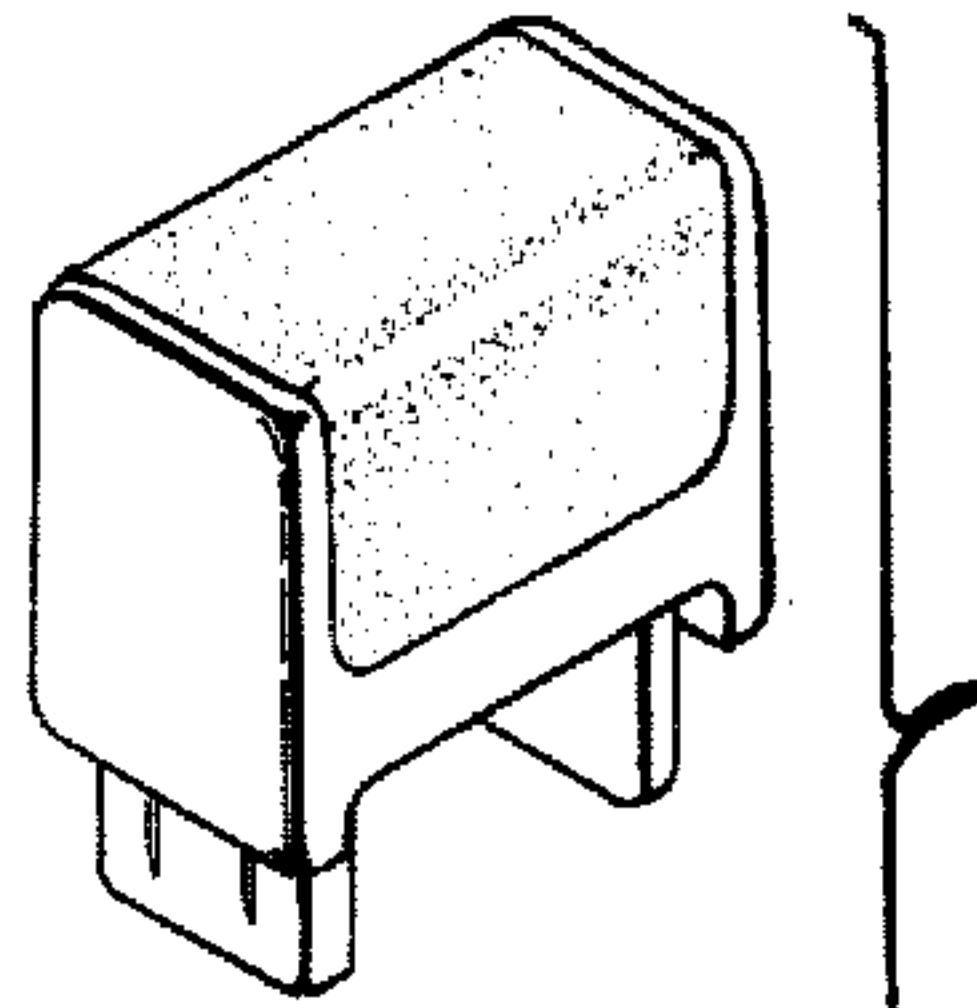
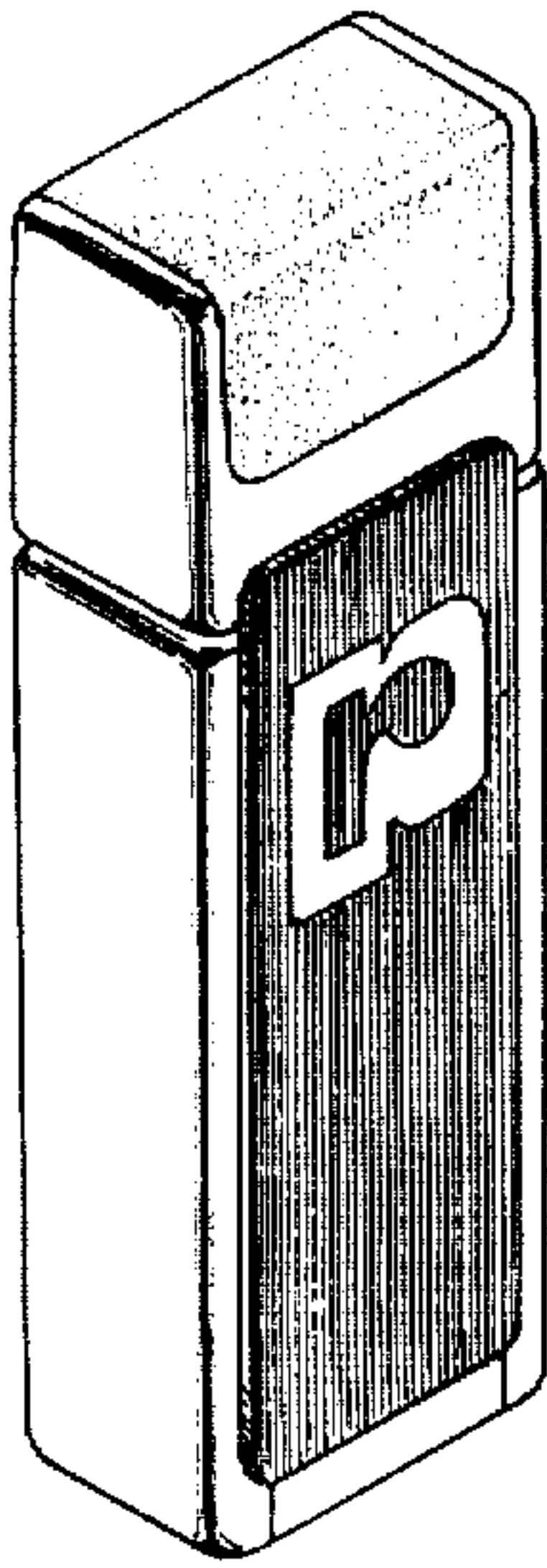


Fig-2

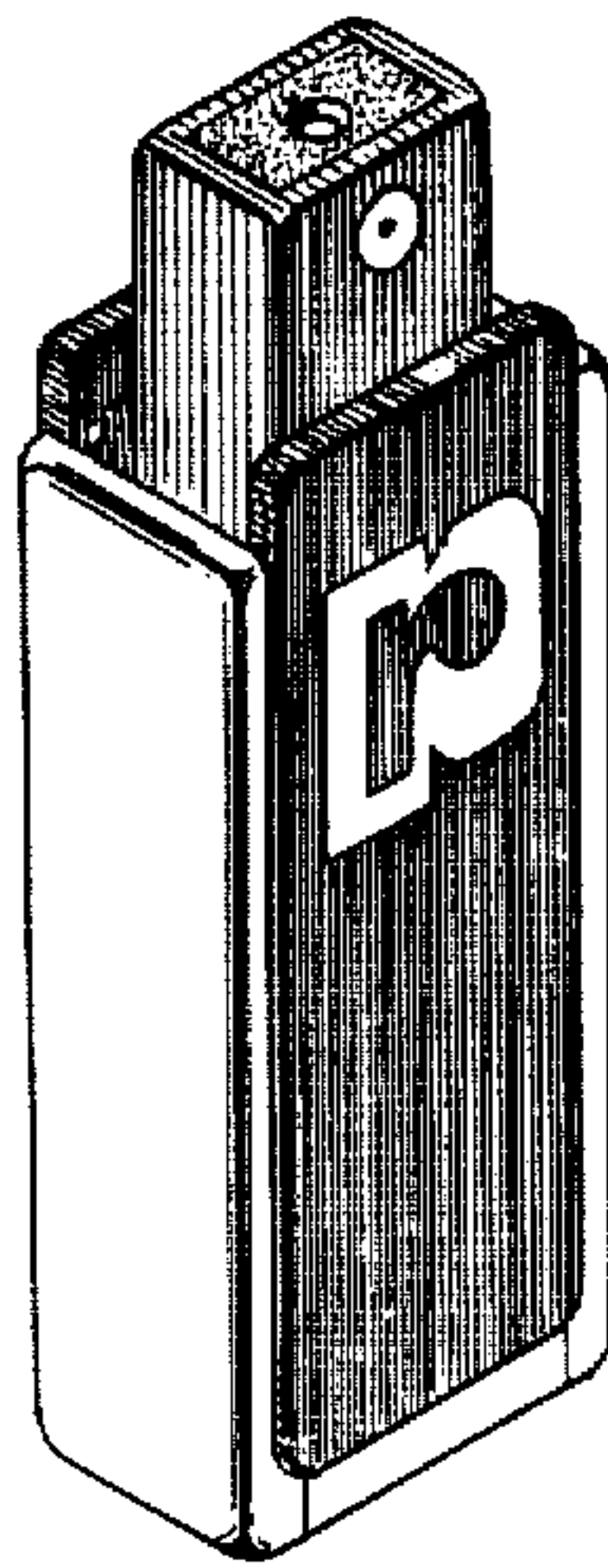


Fig-6



Fig-3

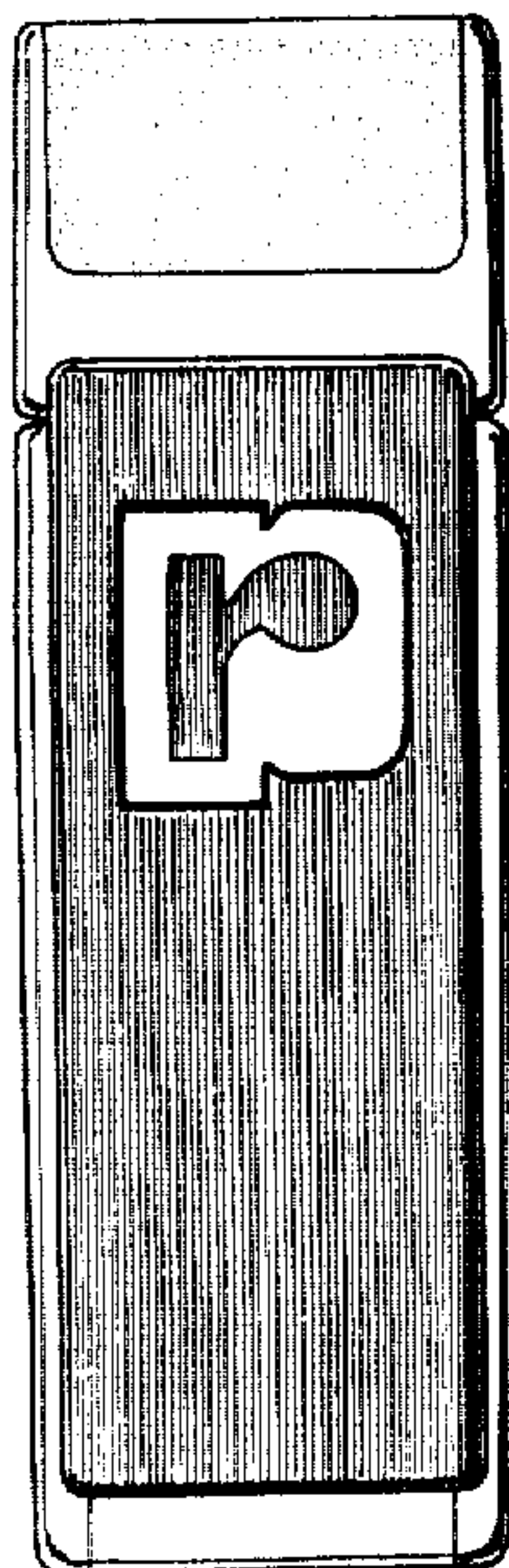


Fig-4

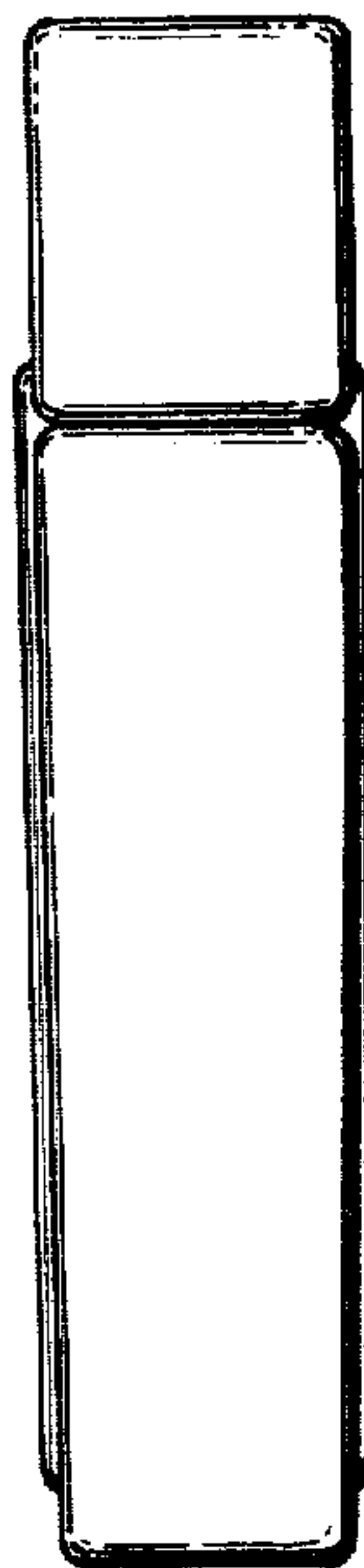


Fig-5

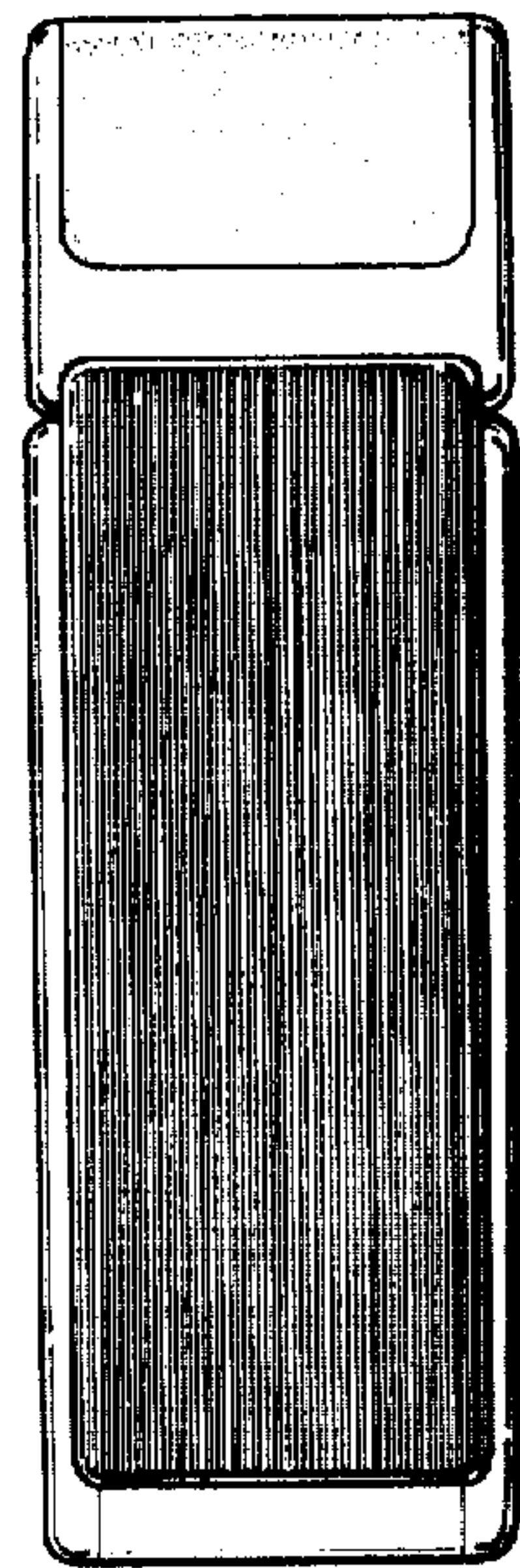


Fig-7

