

[54] PORTABLE INDIRECT LIGHTING FIXTURE FOR OFFICE PARTITIONS OR THE LIKE

[75] Inventor: Paul D. Gernhardt, Northport, N.Y.

[73] Assignee: Slater Electric Inc., Glen Cove, N.Y.

[**] Term: 14 Years

[21] Appl. No.: 165,330

[22] Filed: Jul. 2, 1980

[51] Int. Cl. D26-05

[52] U.S. Cl. D26/92

[58] Field of Search D26/24, 67, 68, 71, D26/72, 80-92; 362/227, 235, 311, 362, 363, 404, 432, 220, 223, 225, 217, 219

[56] References Cited

U.S. PATENT DOCUMENTS

- D. 207,273 3/1967 Müller D26/68
- D. 236,909 9/1975 Richilano D26/71

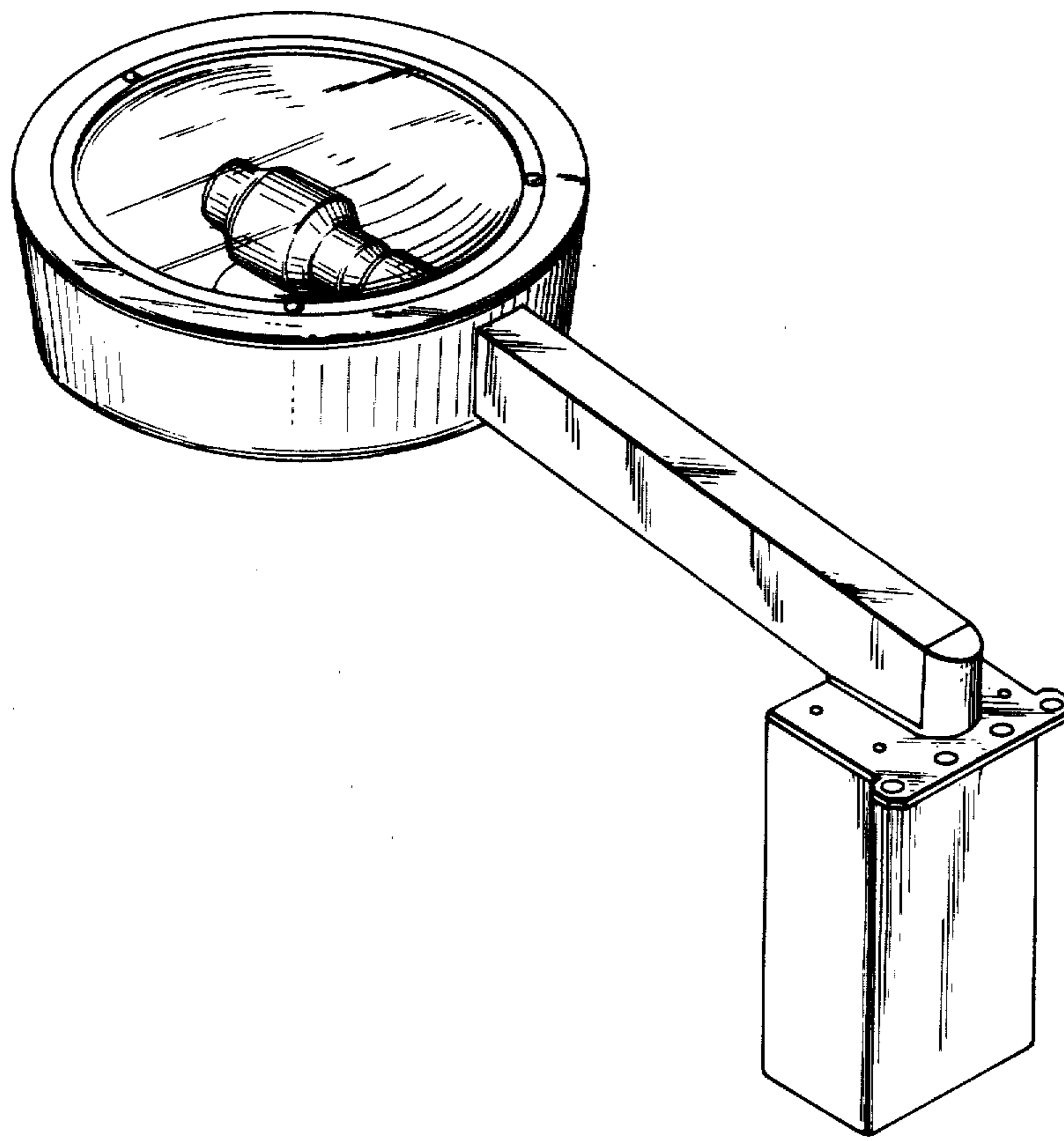
Primary Examiner—Susan J. Lucas
Attorney, Agent, or Firm—Morgan, Finnegan, Pine, Foley & Lee

[57] CLAIM

The ornamental design for a portable indirect lighting fixture for office partitions or the like, substantially as shown and described.

DESCRIPTION

FIG. 1 is a perspective view of a lighting fixture showing my new design;
FIG. 2 is a bottom perspective view thereof;
FIG. 3 is an elevational view thereof, the lamp housing being shown in section; and
FIG. 4 is a plan view thereof.



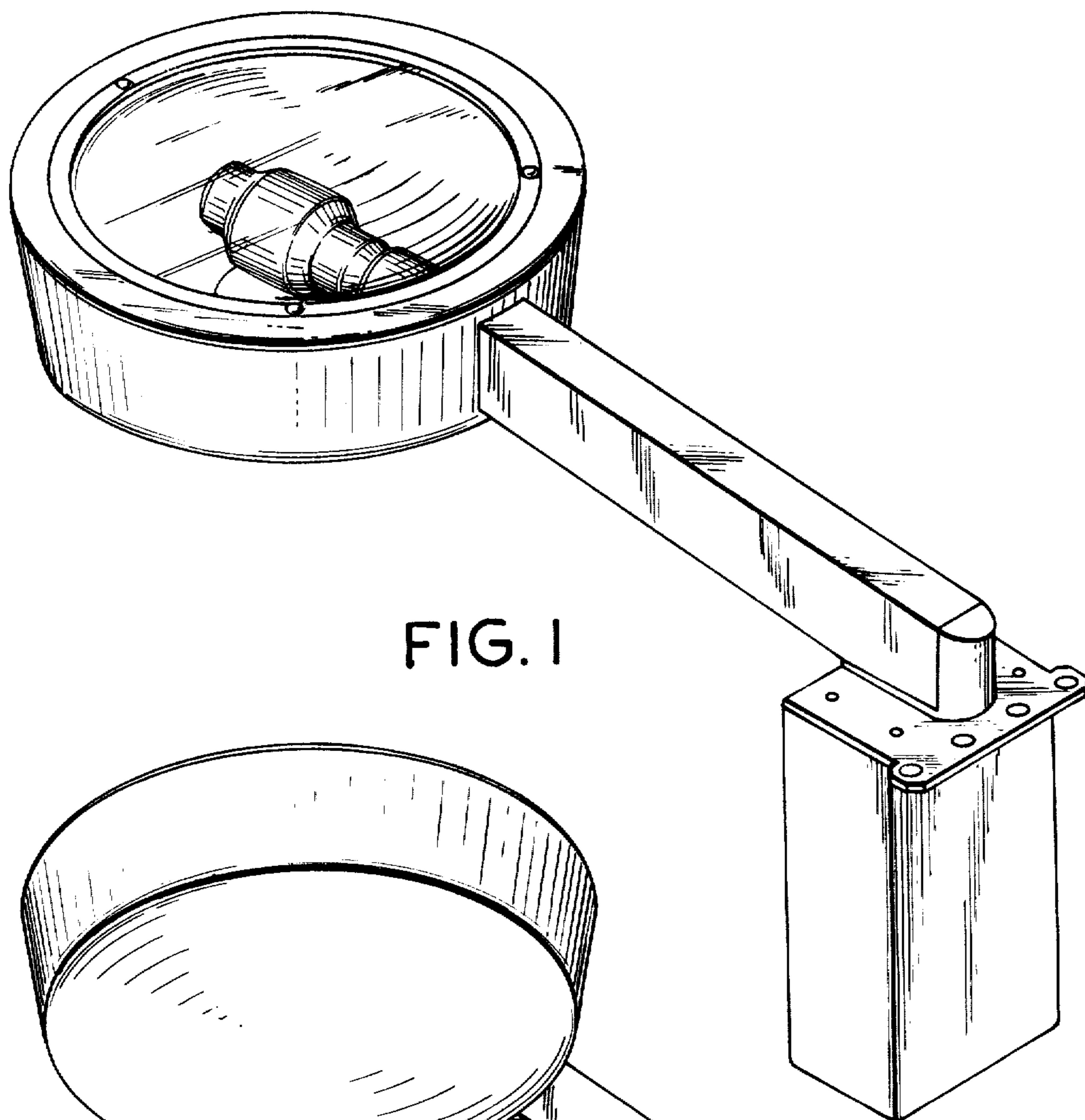


FIG. 1

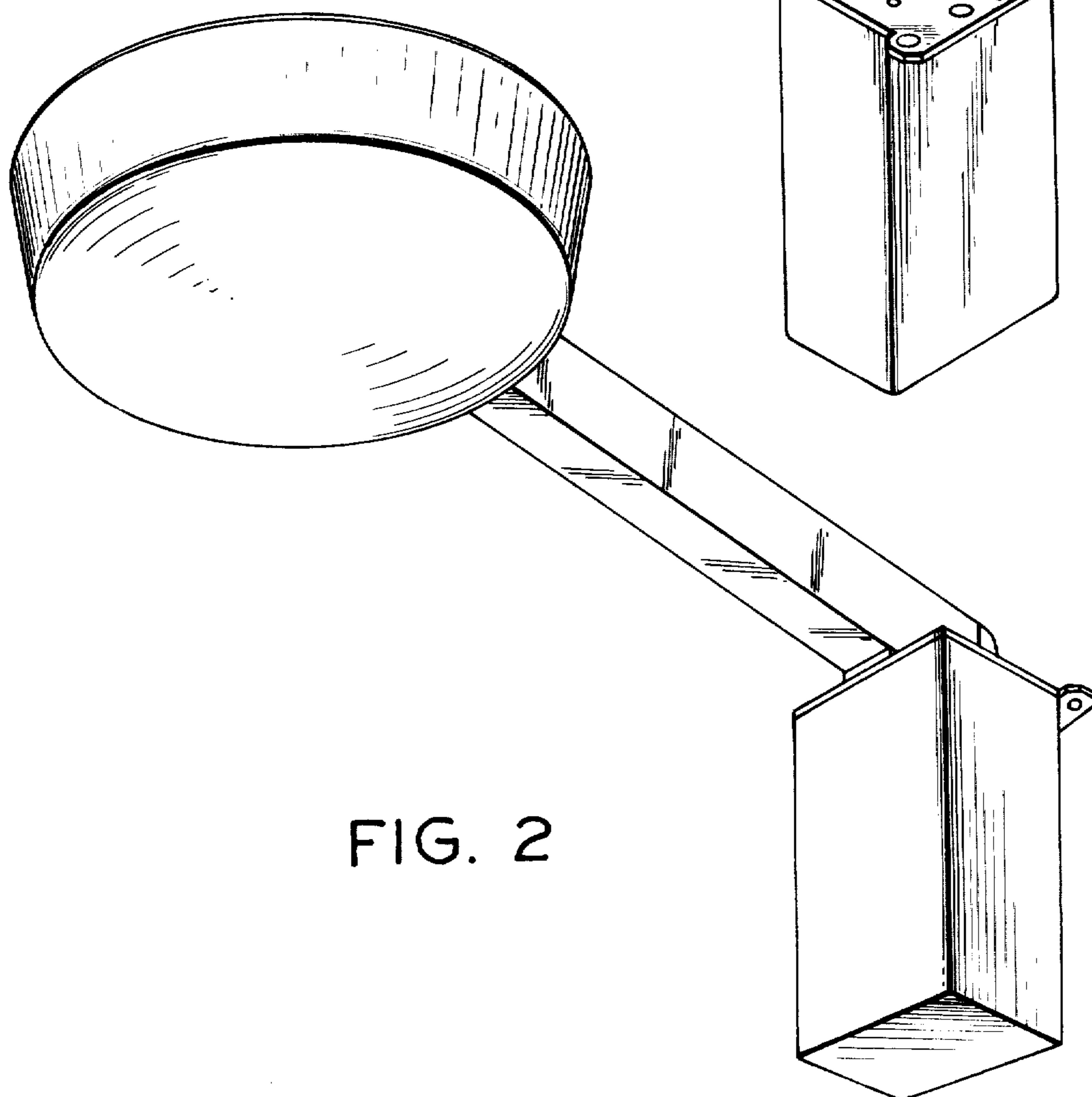


FIG. 2

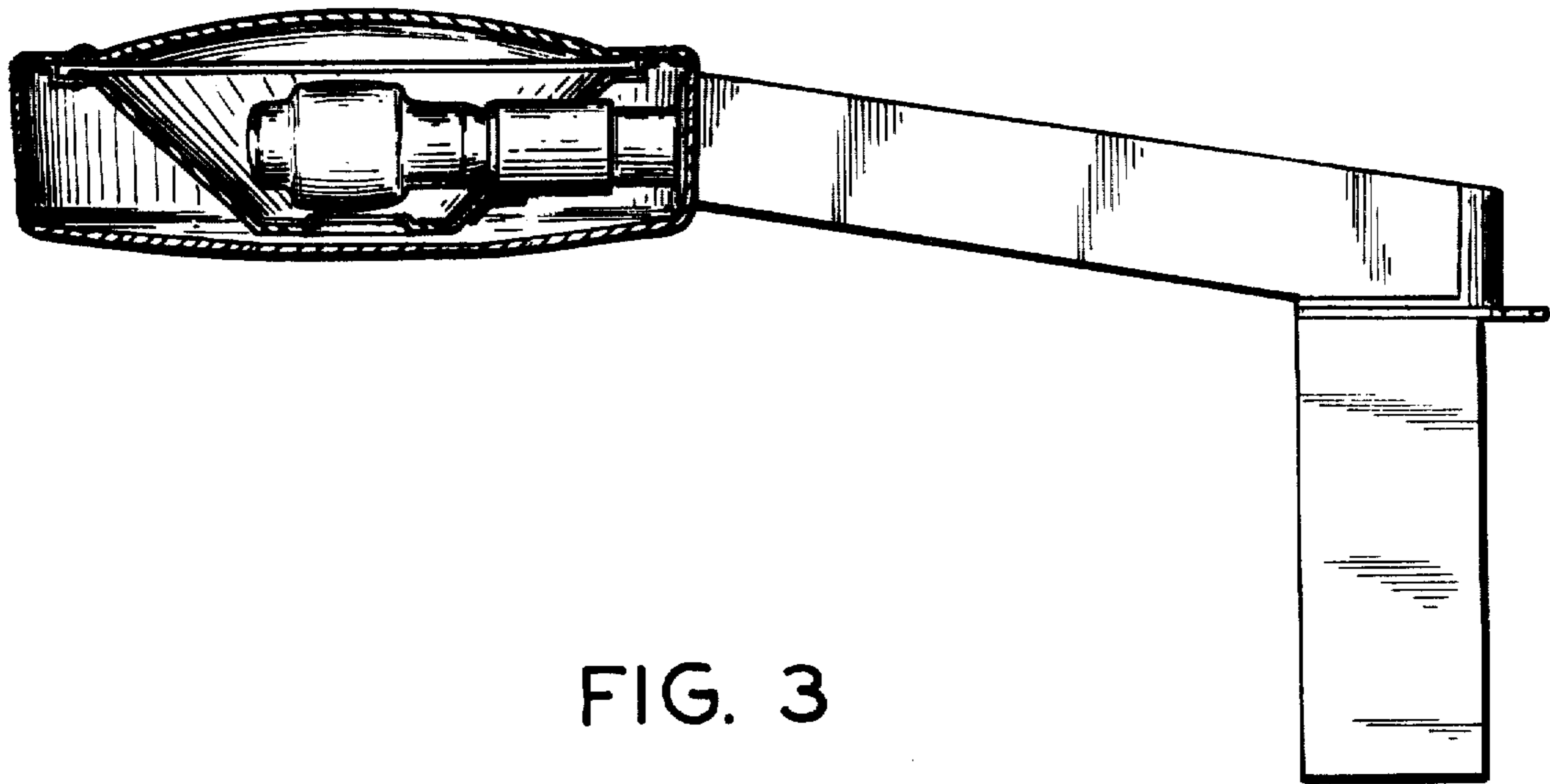


FIG. 3

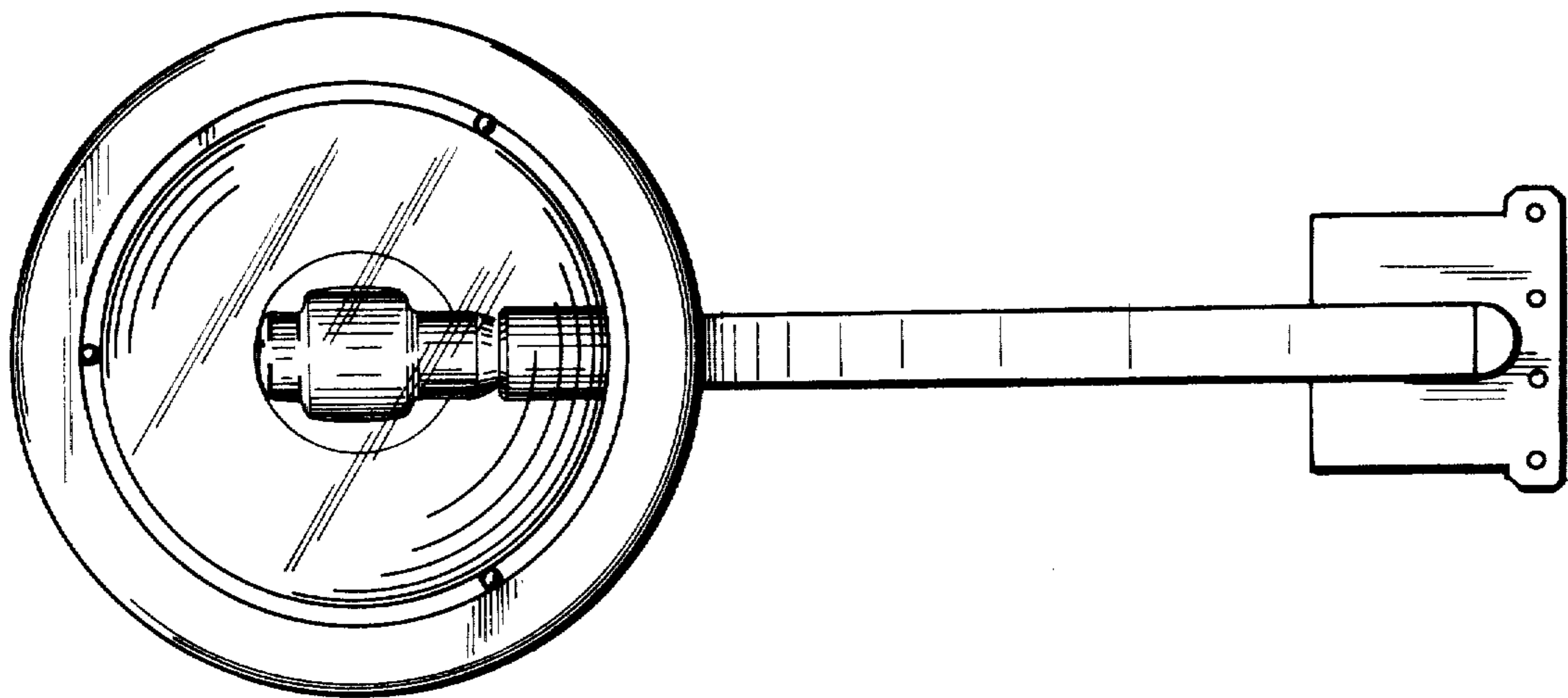


FIG. 4