

[54] VEHICLE LAMP

[75] Inventors: Orville H. Kritz, Yorba Linda; Frederick L. A. de Ronde, Covina, both of Calif.

[73] Assignee: Per-Lux, Inc., Covina, Calif.

[\*\*] Term: 14 Years

[21] Appl. No.: 99,940

[22] Filed: Dec. 3, 1979

[51] Int. Cl. .... D26-06

[52] U.S. Cl. .... D26/28

[58] Field of Search ..... D26/24, 28, 30, 31, D26/34, 35, 36, 38; 362/235, 72, 61, 257, 269, 285, 297, 300, 307, 310, 311, 325, 329, 330, 334, 335, 336, 339, 340-343, 347, 350, 351, 362

[56] References Cited

U.S. PATENT DOCUMENTS

1,536,146 5/1925 Saffert ..... 362/342  
3,085,151 4/1963 Kritz .

3,896,302 7/1975 Whitney ..... 362/341 X

FOREIGN PATENT DOCUMENTS

517191 1/1940 United Kingdom ..... 362/375  
1326563 8/1973 United Kingdom ..... 362/343

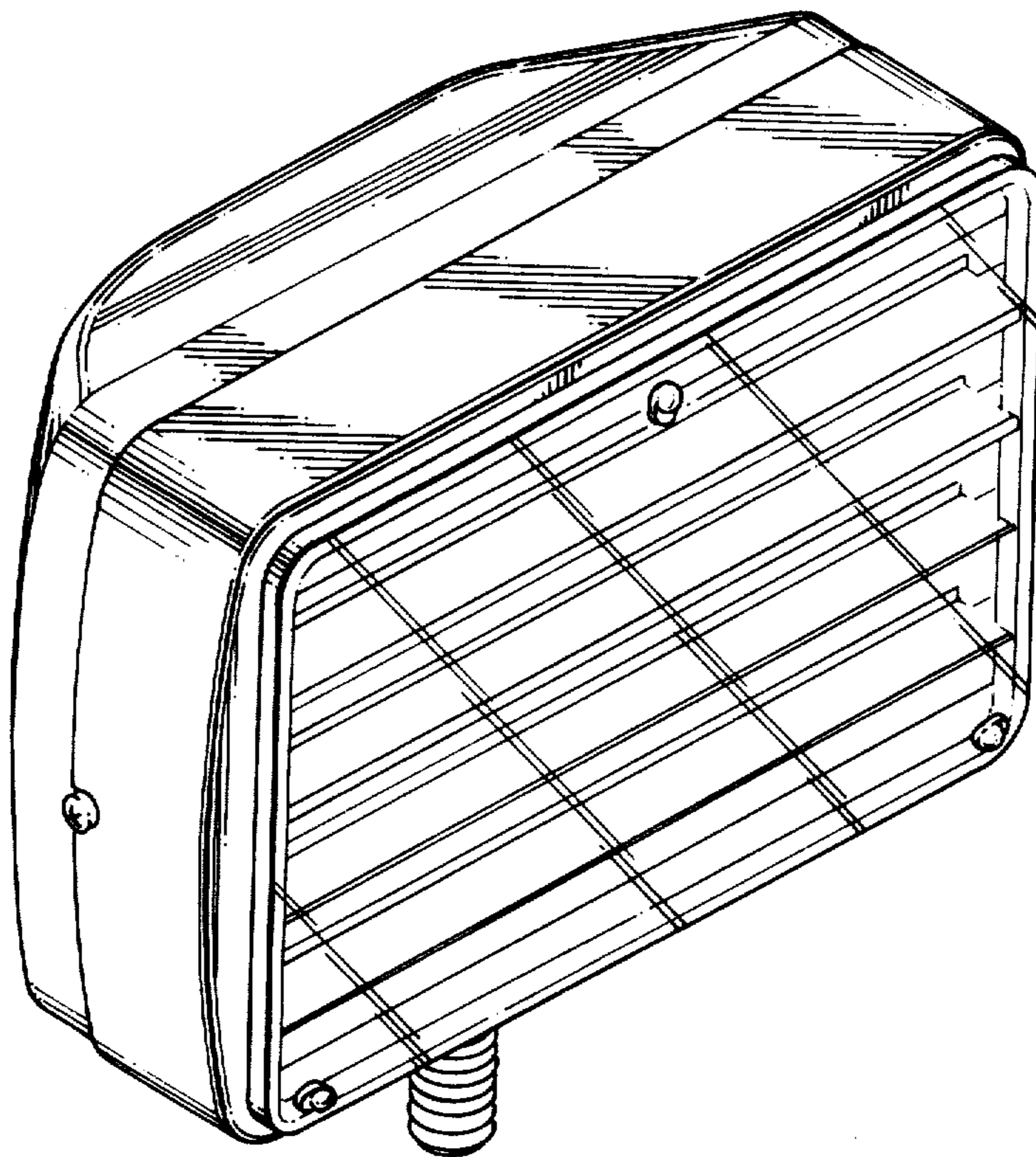
Primary Examiner—Susan J. Lucas  
Attorney, Agent, or Firm—Lyon & Lyon

[57] CLAIM

The ornamental design for a vehicle lamp, as shown and described.

DESCRIPTION

FIG. 1 is a front elevational view of a vehicle lamp showing our new design;  
FIG. 2 is a front perspective view of the vehicle lamp of FIG. 1;  
FIG. 3 is a rear perspective view of the vehicle lamp of FIG. 1;  
FIG. 4 is a top plan view of the vehicle lamp on an enlarged scale; and  
FIG. 5 is a side elevation view of the vehicle lamp on an enlarged scale.



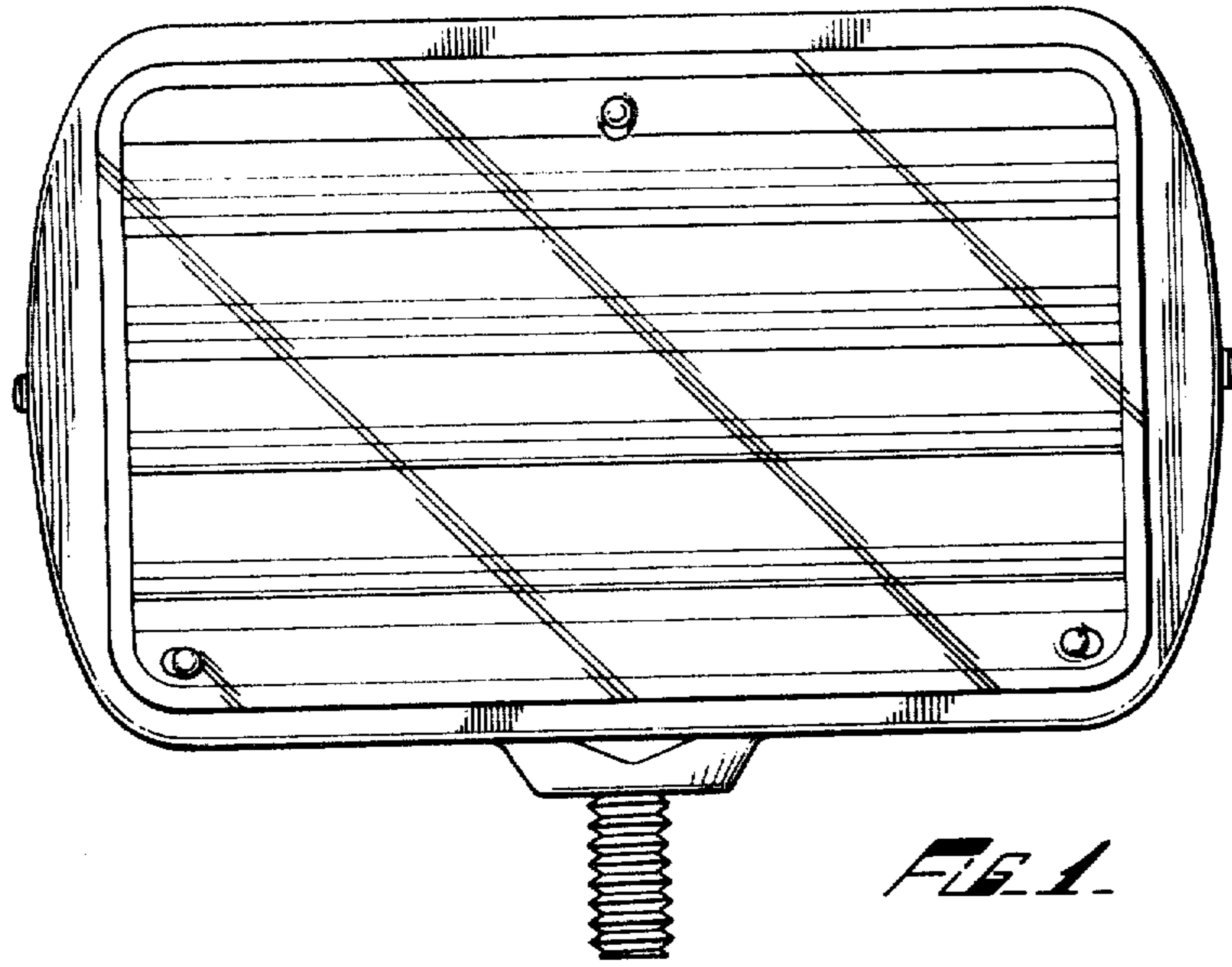


FIG. 1.

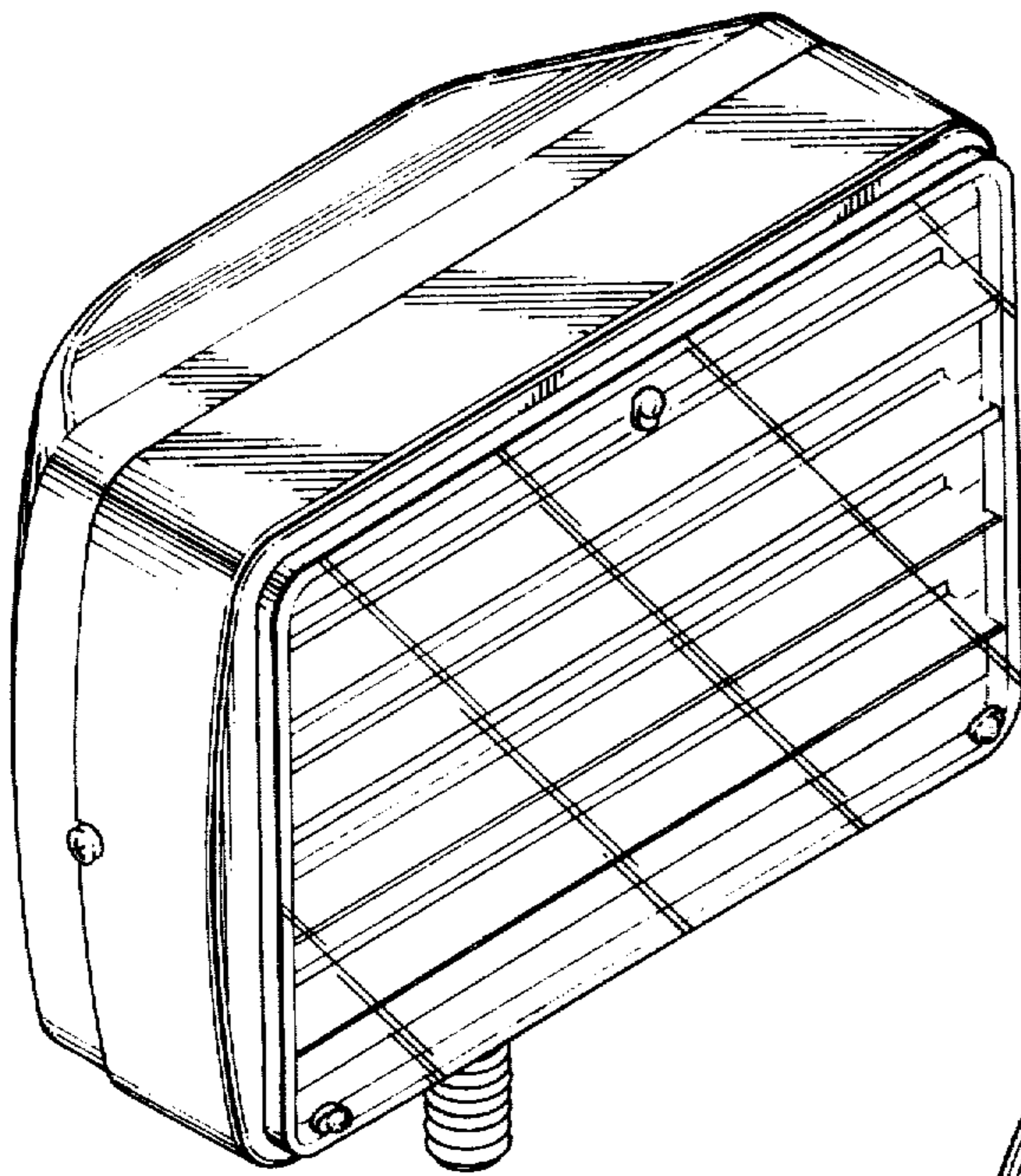
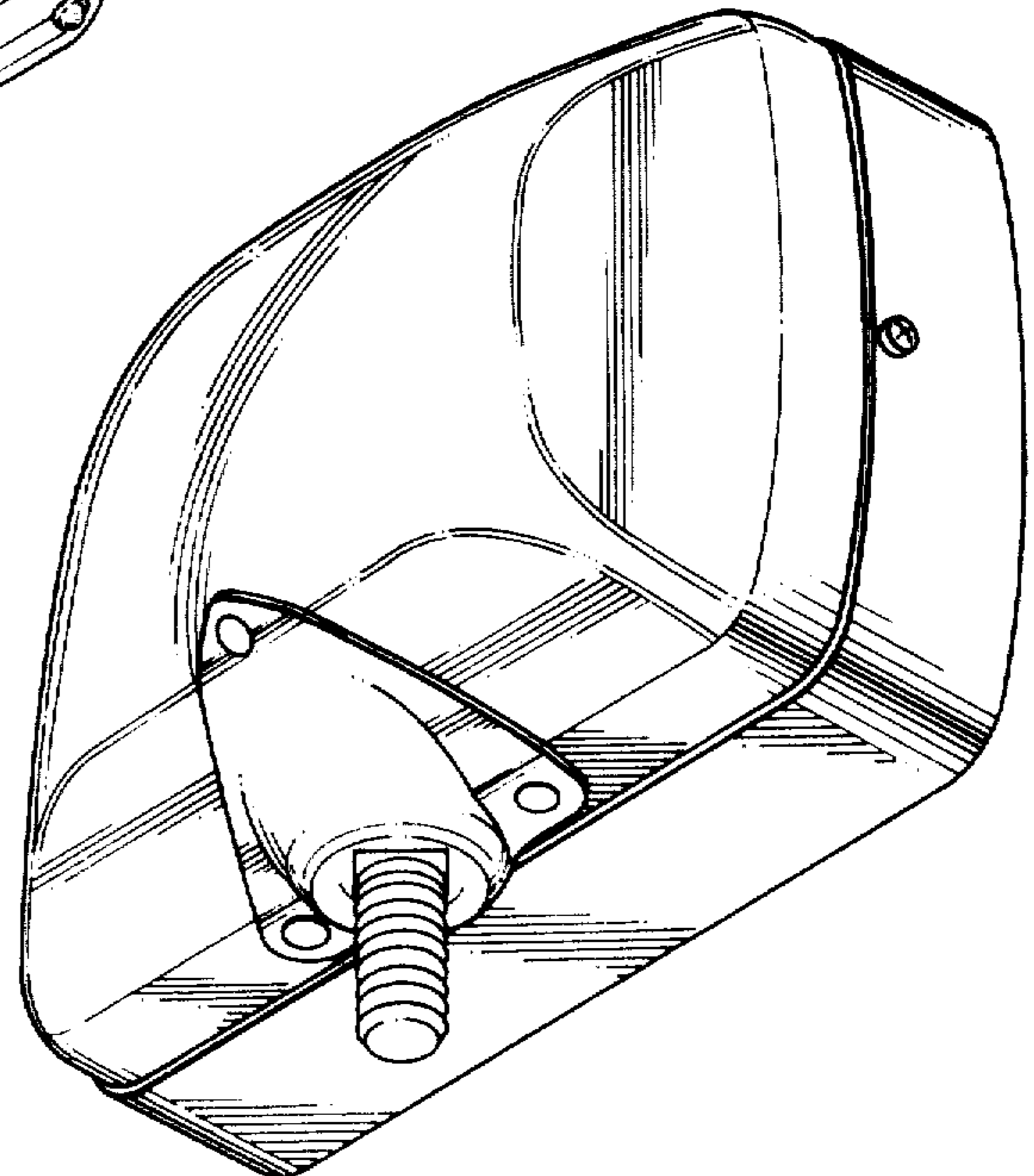
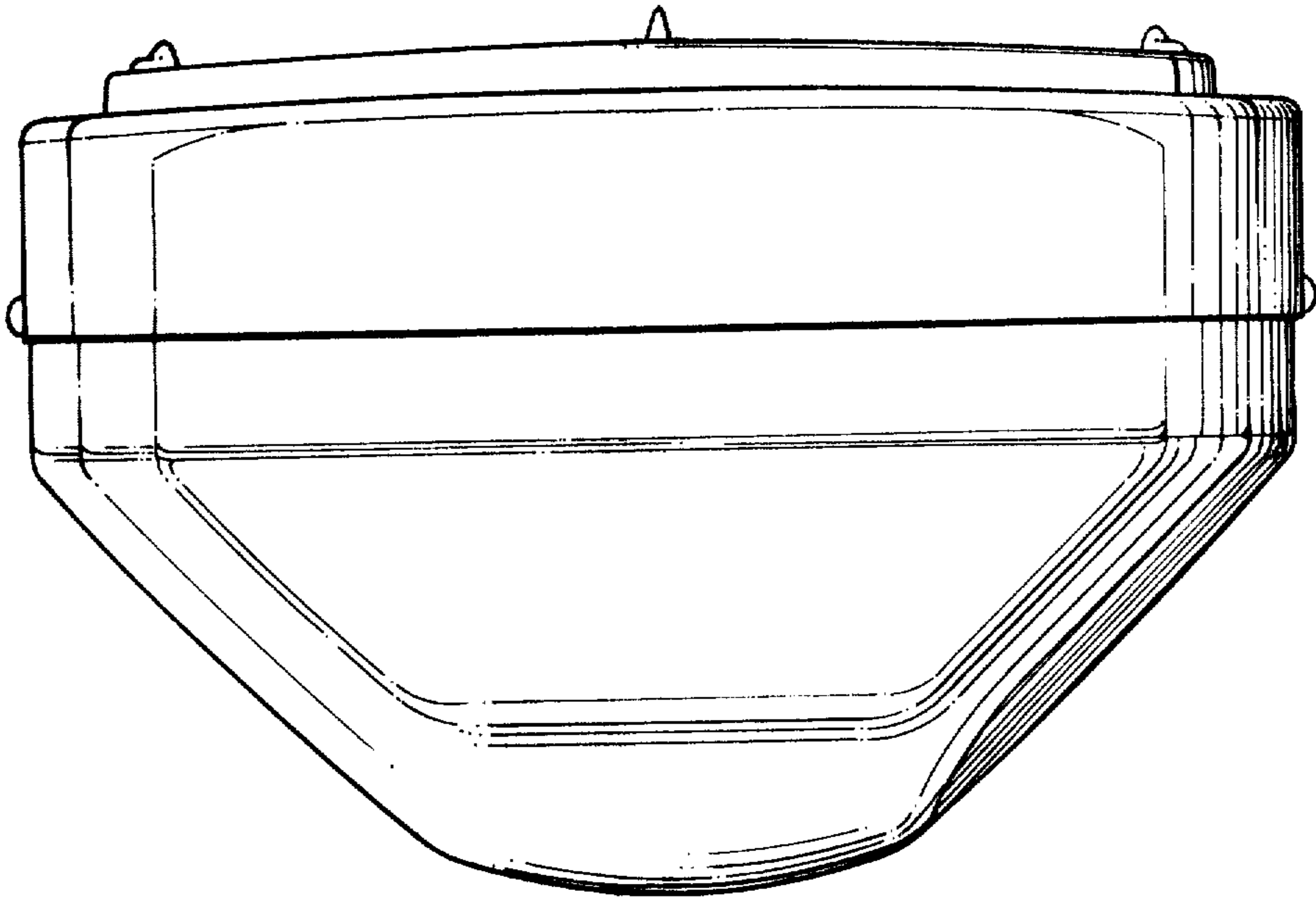


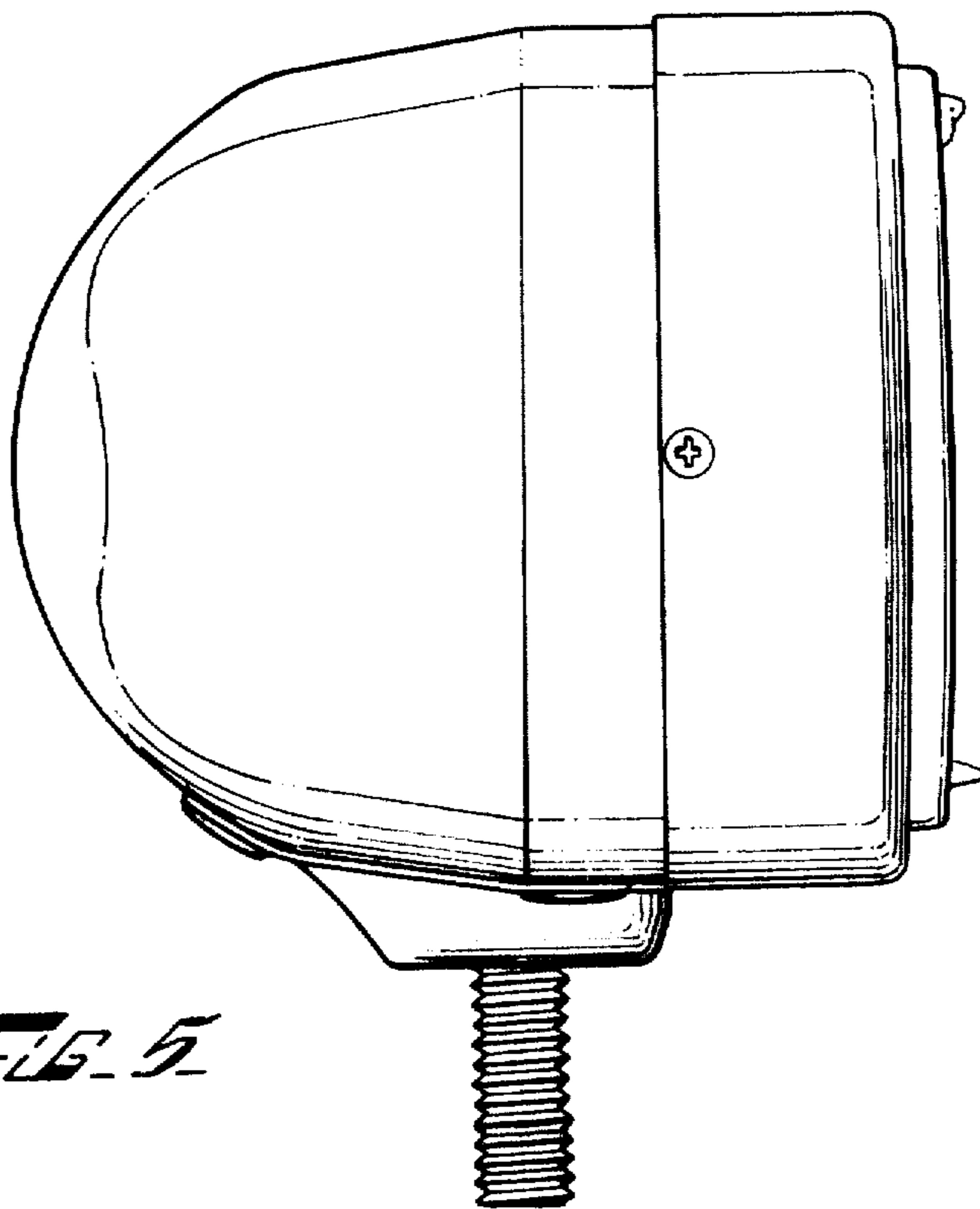
FIG. 2.

FIG. 3.





*FIG. 4*



*FIG. 5*