

[54] DOOR EDGE MEMBER

[76] Inventor: Marvin L. Goldhaber, 5102 Rock Run, West Bloomfield, Mich. 48033

[**] Term: 14 Years

[21] Appl. No.: 204,601

[22] Filed: Nov. 6, 1980

[51] Int. Cl. D25-01

[52] U.S. Cl. D25/74

[58] Field of Search D25/74-79;
160/90; 49/413, 419, 501; 52/202

[56] References Cited

U.S. PATENT DOCUMENTS

D. 251,133 2/1979 Bancroft et al. D25/74

D. 251,444 3/1979 Bancroft et al. D25/74
4,175,357 11/1979 Goldhaber 49/395

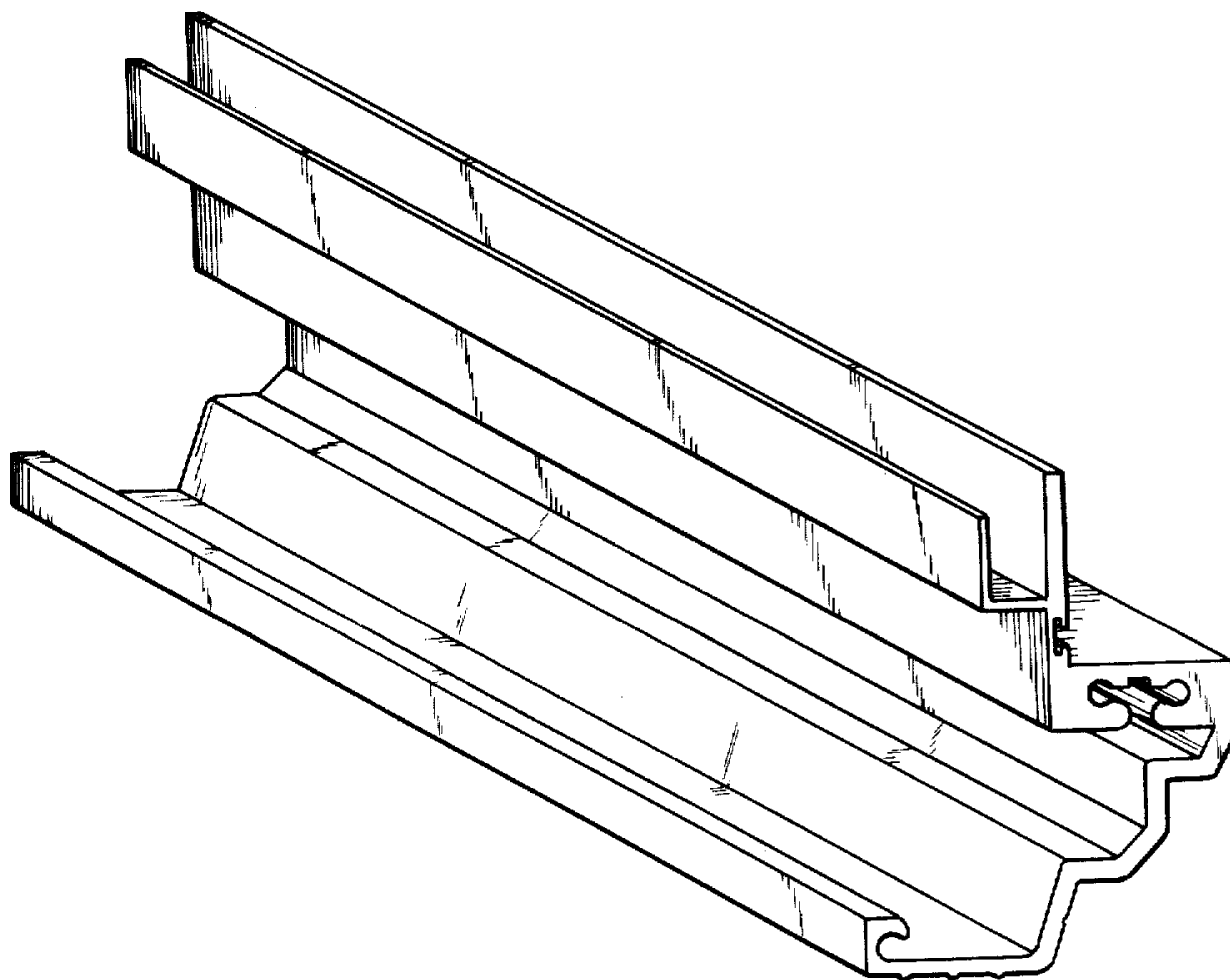
Primary Examiner—A. Hugo Word
Attorney, Agent, or Firm—Basile, Weintraub & Hanlon

[57] CLAIM

The ornamental design for a door edge member, as shown.

DESCRIPTION

FIG. 1 is a rear perspective view illustrating a door edge member showing my new design;
FIG. 2 is a front elevational view thereof;
FIG. 3 is a left-end elevational view of FIG. 2;
FIG. 4 is a right-end elevational view of FIG. 2;
FIG. 5 is a top elevational view thereof; and
FIG. 6 is a bottom elevational view thereof.



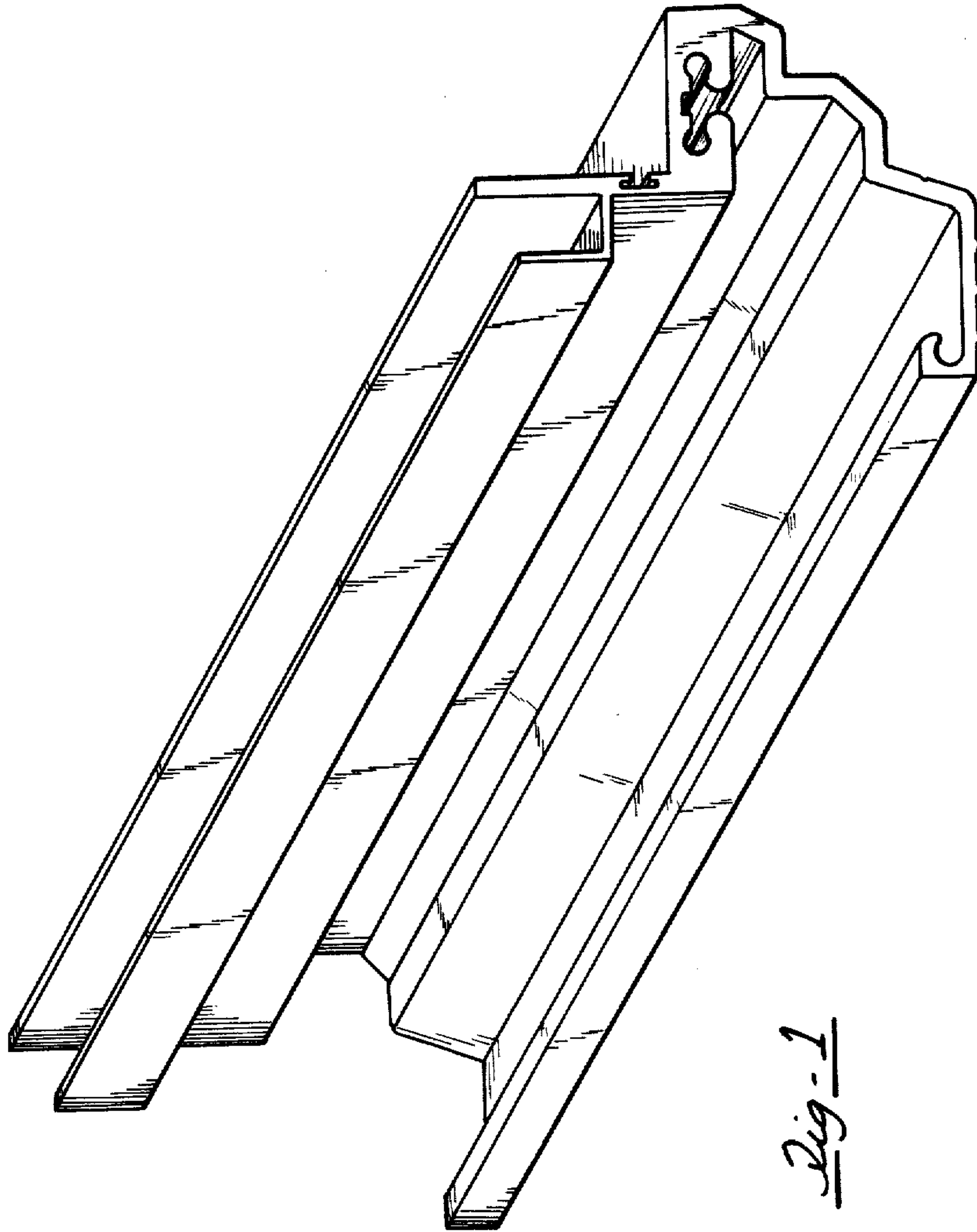


Fig. 1

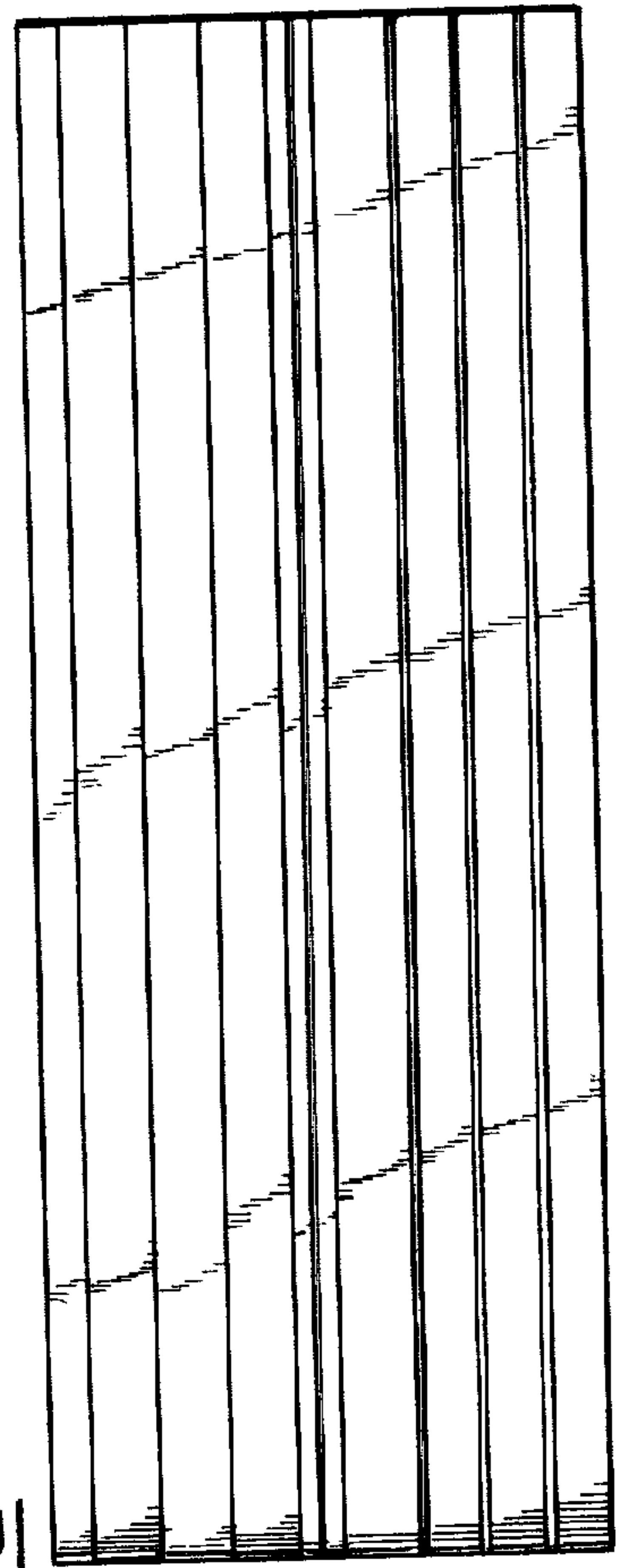
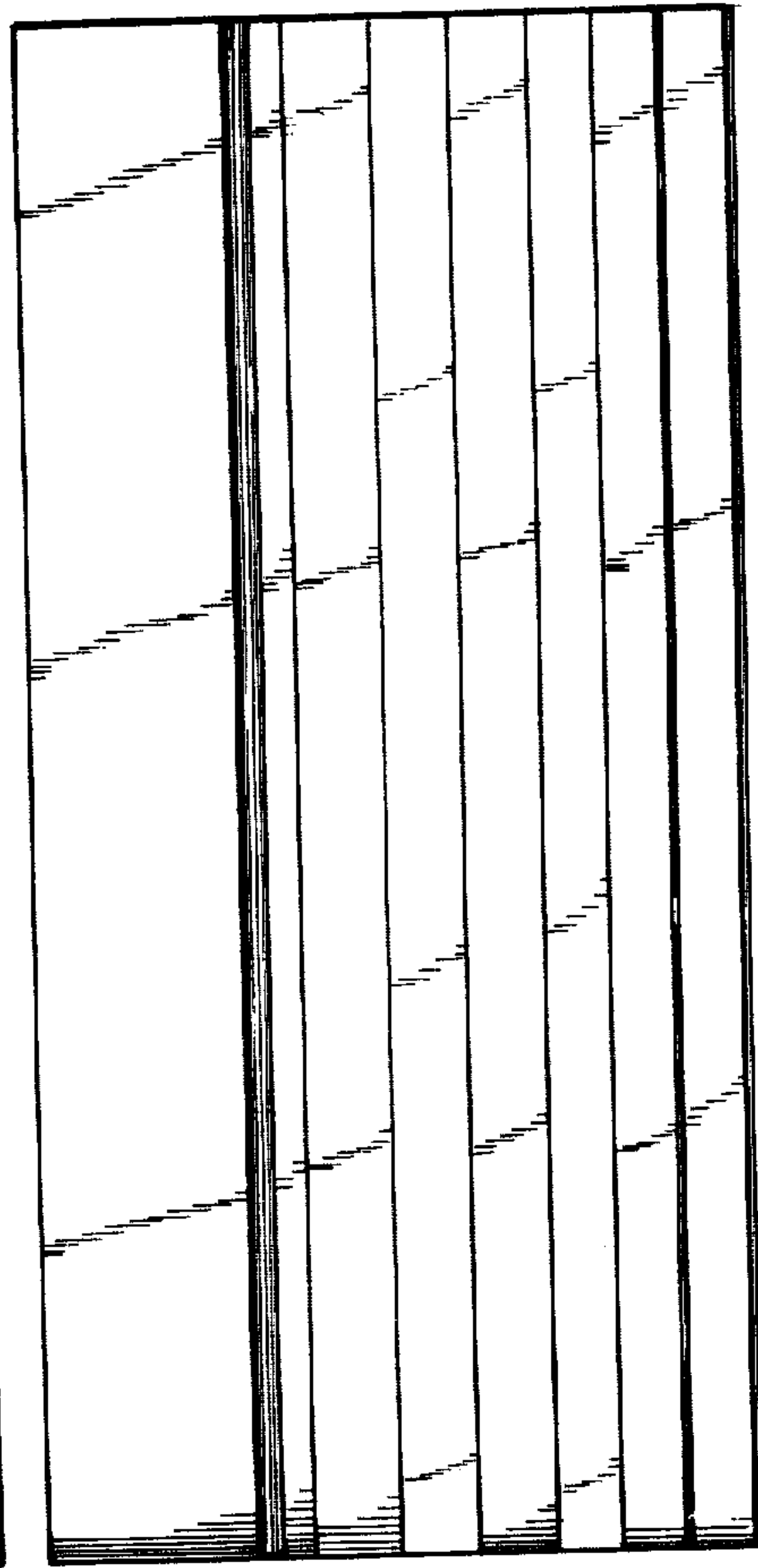
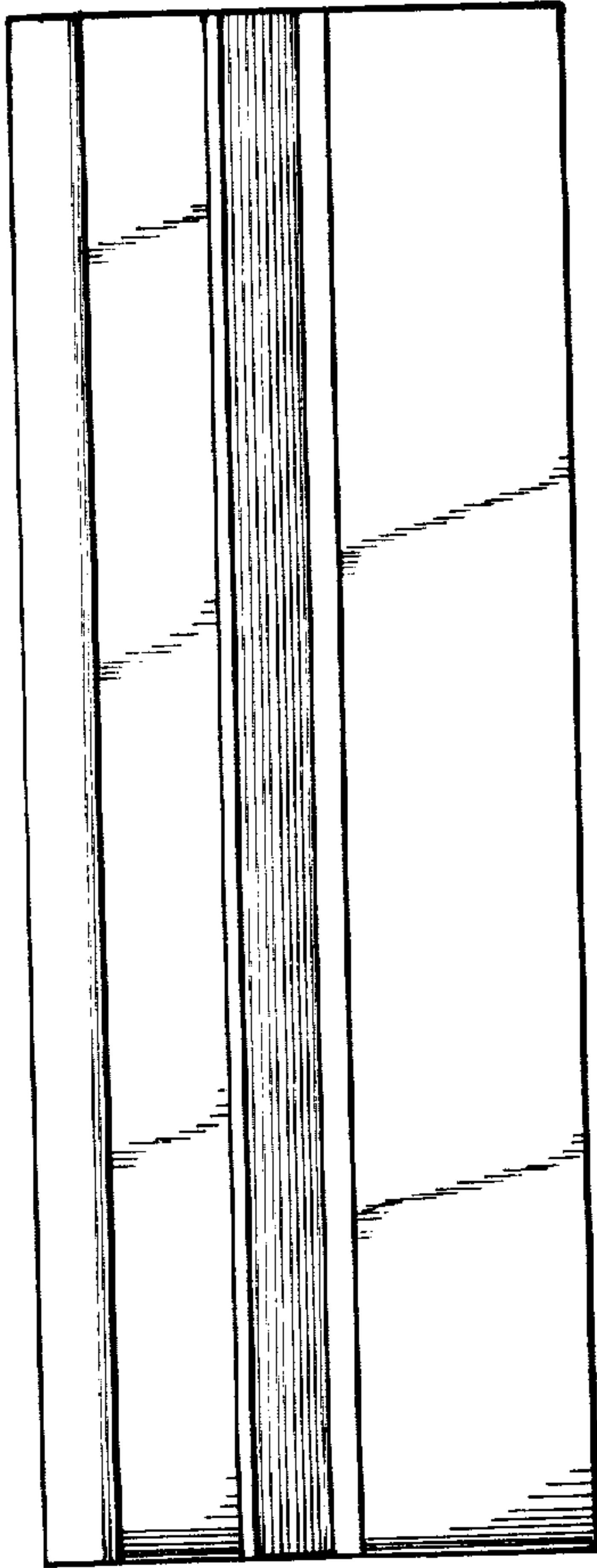
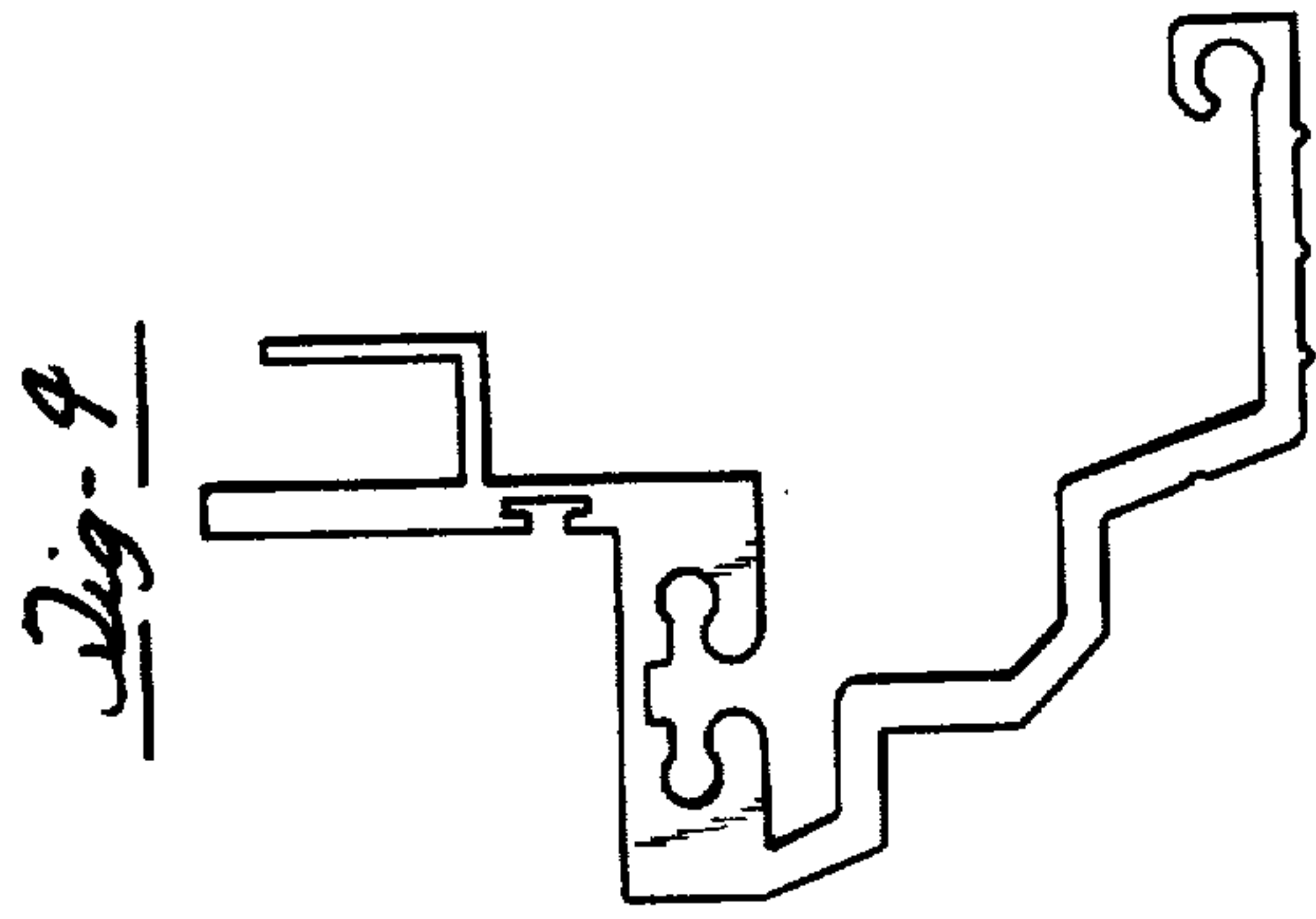


Fig-5

Fig-2

Fig-6

