

[54] DOOR FRAME MEMBER

[76] Inventor: Marvin L. Goldhaber, 5102 Rock Run, West Bloomfield, Mich. 48033

[**] Term: 14 Years

[21] Appl. No.: 204,598

[22] Filed: Nov. 6, 1980

[51] Int. Cl. D25-01

[52] U.S. Cl. D25/74

[58] Field of Search D25/74-79; 160/90; 49/413, 419, 501; 52/202

[56] References Cited

U.S. PATENT DOCUMENTS

D. 249,366 9/1978 Jury D25/48 X

2,818,145 12/1957 Bragman et al. D25/48 X
3,389,505 6/1968 Zitomer D25/48 X

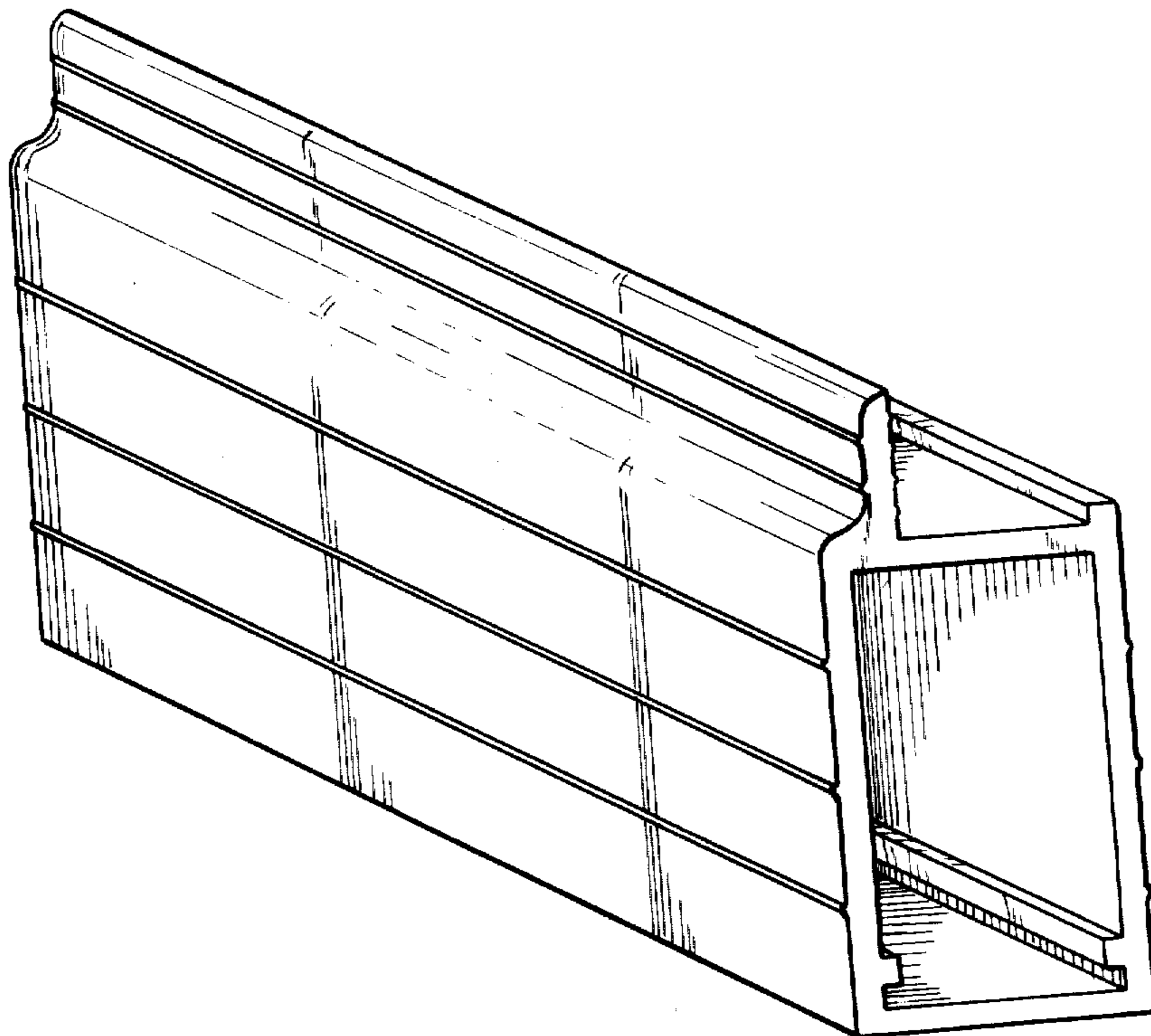
Primary Examiner—A. Hugo Word
Attorney, Agent, or Firm—Basile, Weintraub & Hanlon

[57] CLAIM

The ornamental design for a door frame member, as shown.

DESCRIPTION

FIG. 1 is a rear perspective view illustrating a door frame member showing my new design; FIG. 2 is a front elevational view thereof; FIG. 3 is a left-end elevational view of FIG. 2; FIG. 4 is a right-end elevational view of FIG. 2; FIG. 5 is a top elevational view thereof; and FIG. 6 is a bottom elevational view thereof.



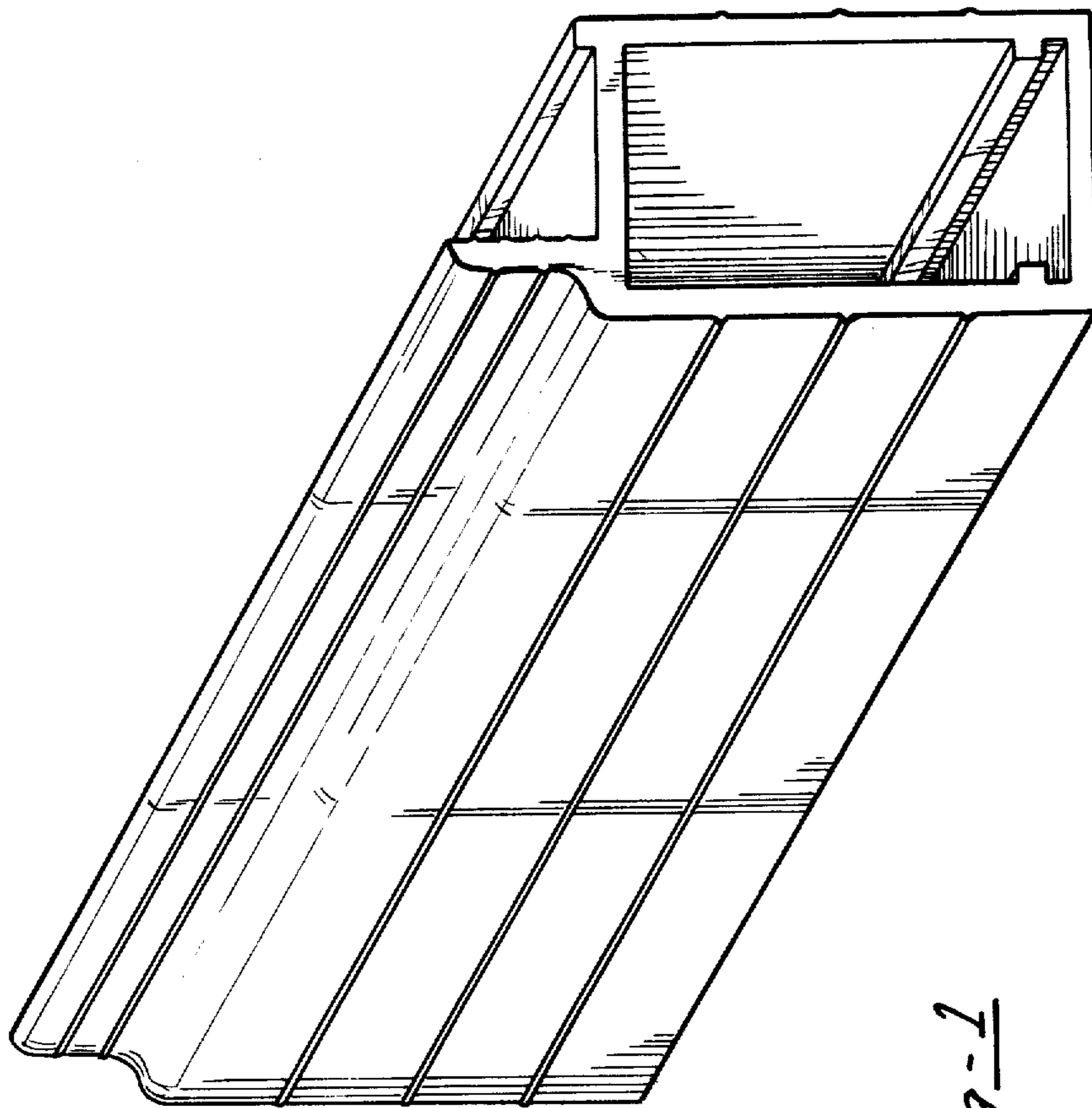


Fig-1

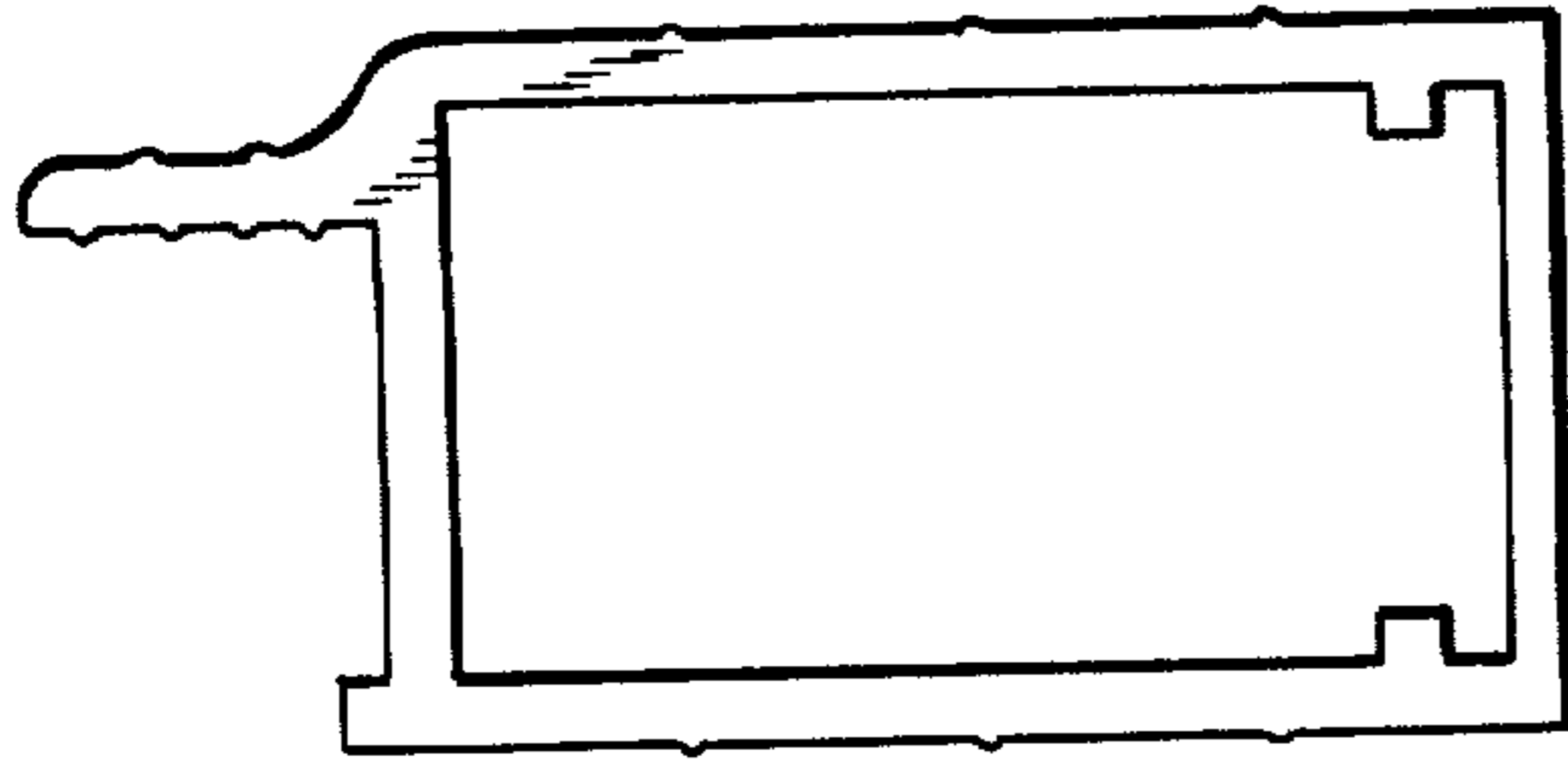


Fig. 4

Fig. 5

Fig. 6

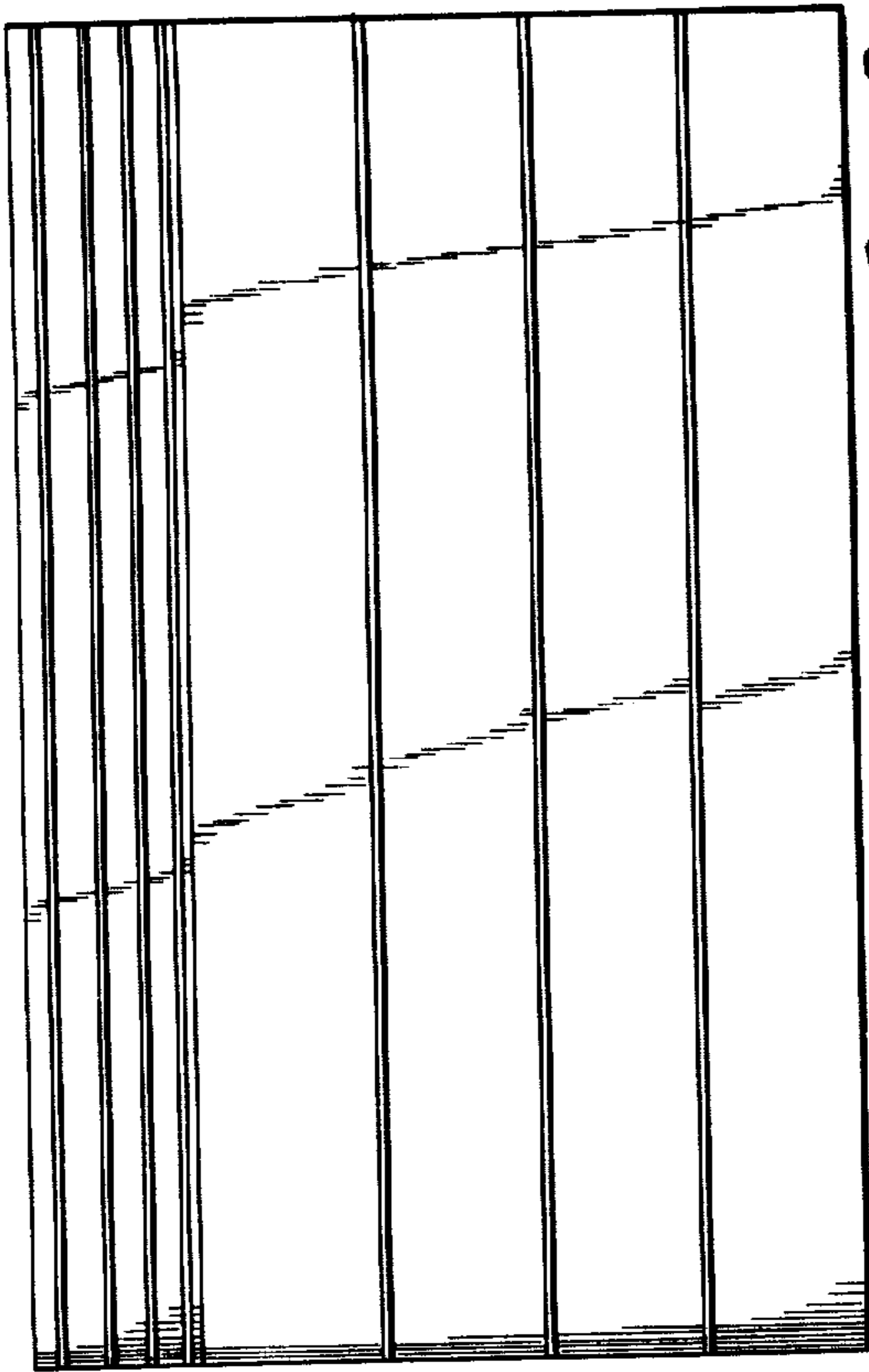


Fig. 2

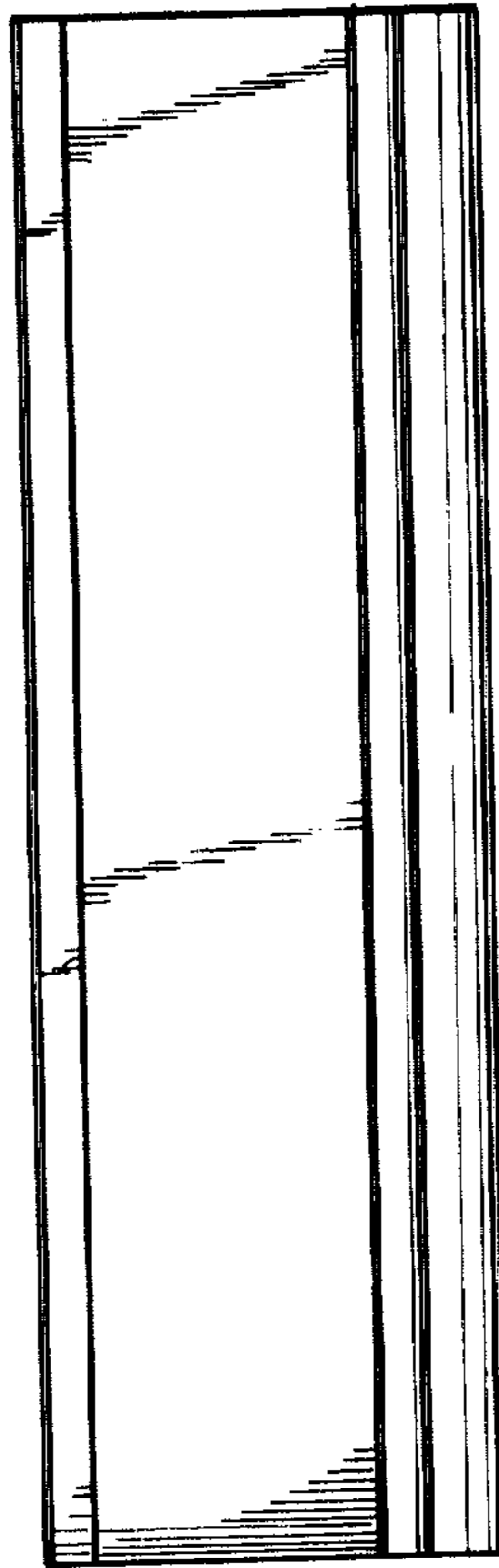


Fig. 3

