

[54] **ABDUCTION SPLINT**

[76] Inventor: **Johs. Kvittingen**, Moholtlia 30,  
N-7000 Trondheim, Norway

[\*\*] Term: **14 Years**

[21] Appl. No.: **153,980**

[22] Filed: **May 28, 1980**

[30] **Foreign Application Priority Data**

Nov. 29, 1979 [NO] Norway ..... 60638

[51] Int. Cl. .... **D24-04**

[52] U.S. Cl. .... **D24/64**

[58] Field of Search ..... **D24/64; 128/80 A, 84,  
128/87, 87 C, 80 B**

[56] **References Cited**

**U.S. PATENT DOCUMENTS**

D. 244,152 4/1977 Kvittingen ..... D14/64  
3,068,862 12/1962 Fuzere ..... 128/80 A  
3,730,177 5/1973 Thum ..... 128/80 A

4,203,433 5/1980 Prah ..... 128/80 A

**FOREIGN PATENT DOCUMENTS**

996562 6/1965 United Kingdom ..... 128/80 A

**OTHER PUBLICATIONS**

Zimmer Fracture Equipment, ©1963, p. 140, No. 780-01, Hip Splint.

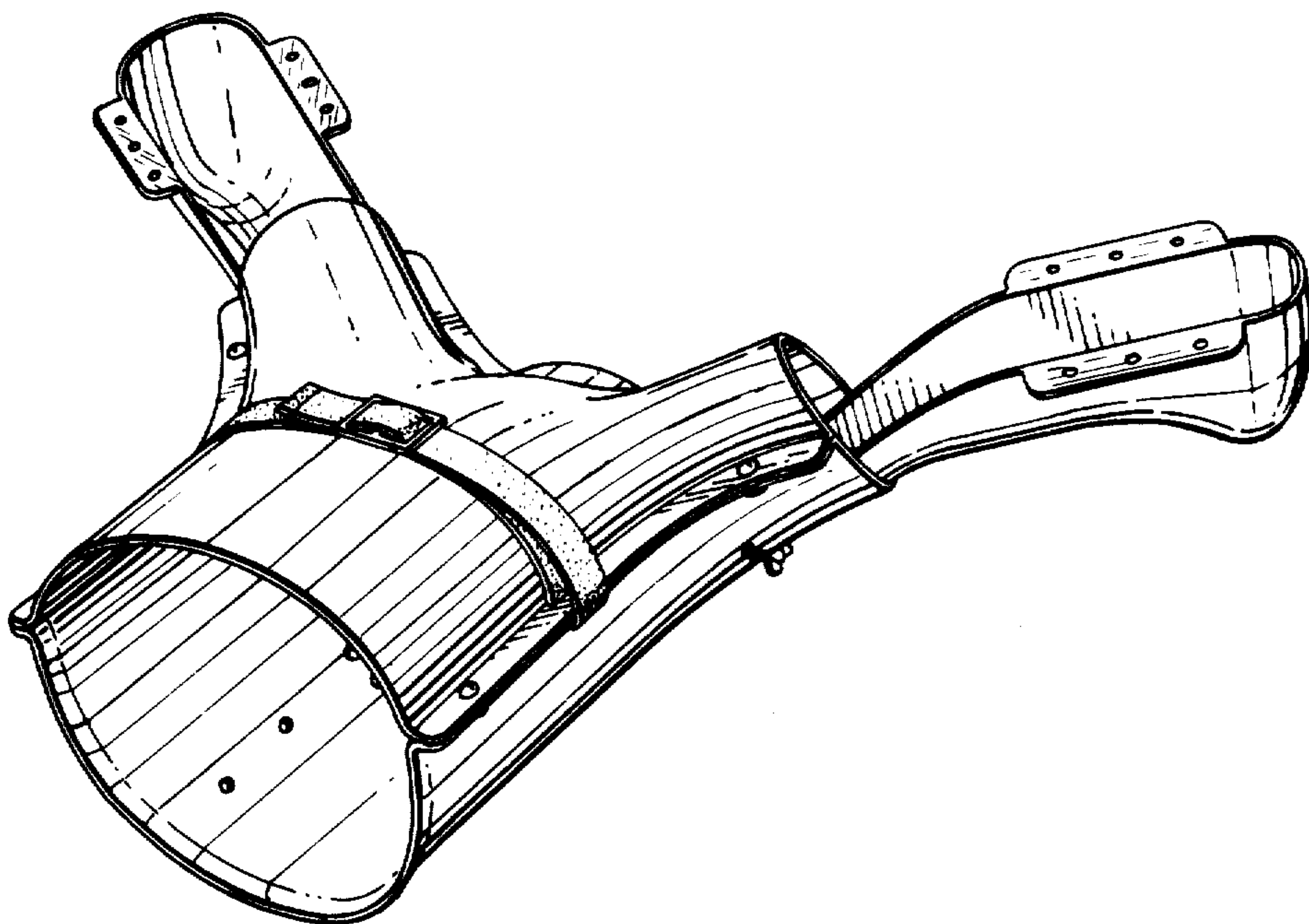
*Primary Examiner*—Bernard Ansher  
*Attorney, Agent, or Firm*—Ladas & Parry

[57] **CLAIM**

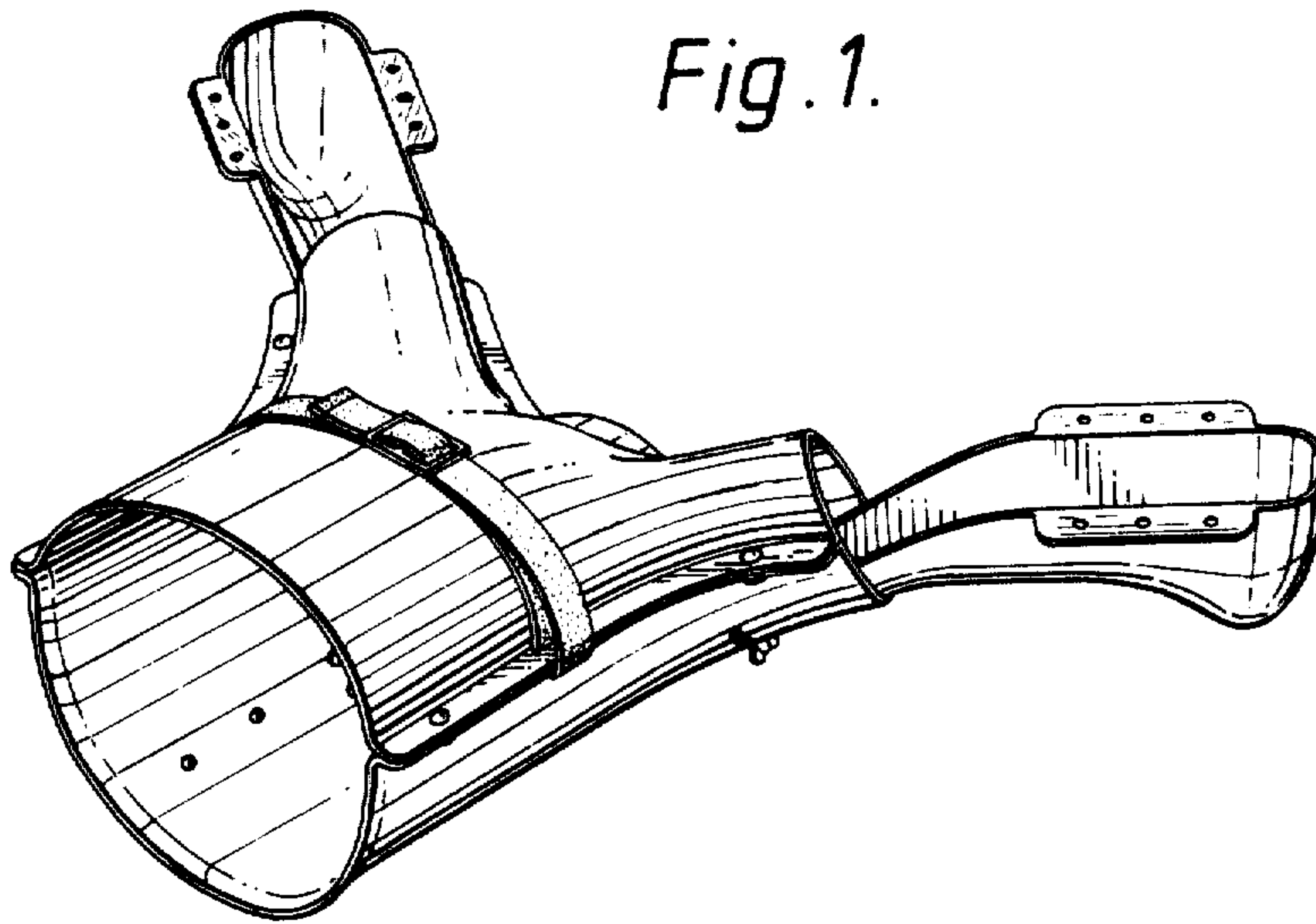
The ornamental design for an abduction splint, as shown.

**DESCRIPTION**

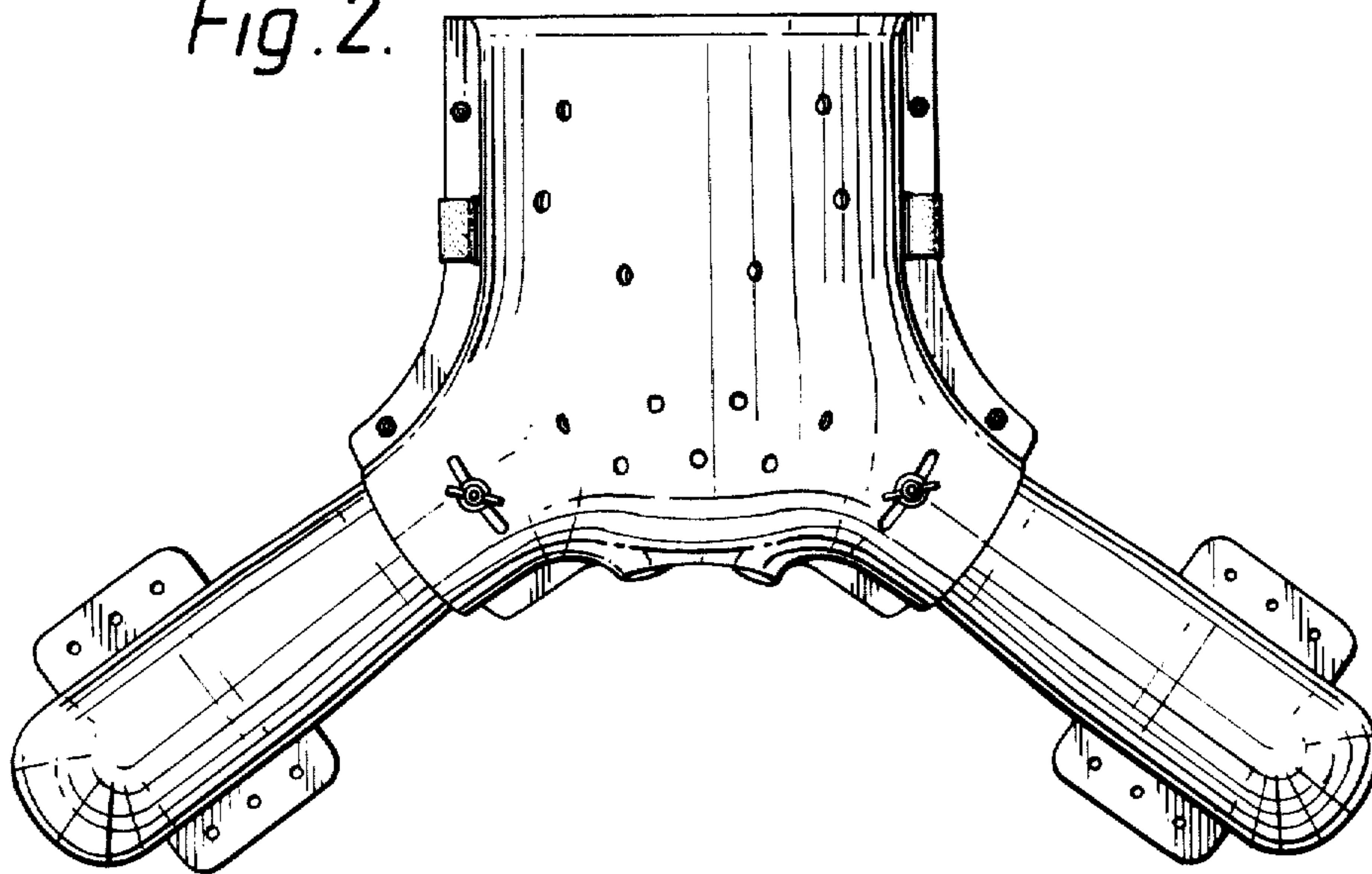
FIG. 1 is a top perspective view of an abduction splint showing my new design;  
FIG. 2 is a bottom plan view thereof;  
FIG. 3 is an end elevation as seen from the right of FIG. 1; and  
FIG. 4 is an elevation of the abduction splint in a disassembled condition.



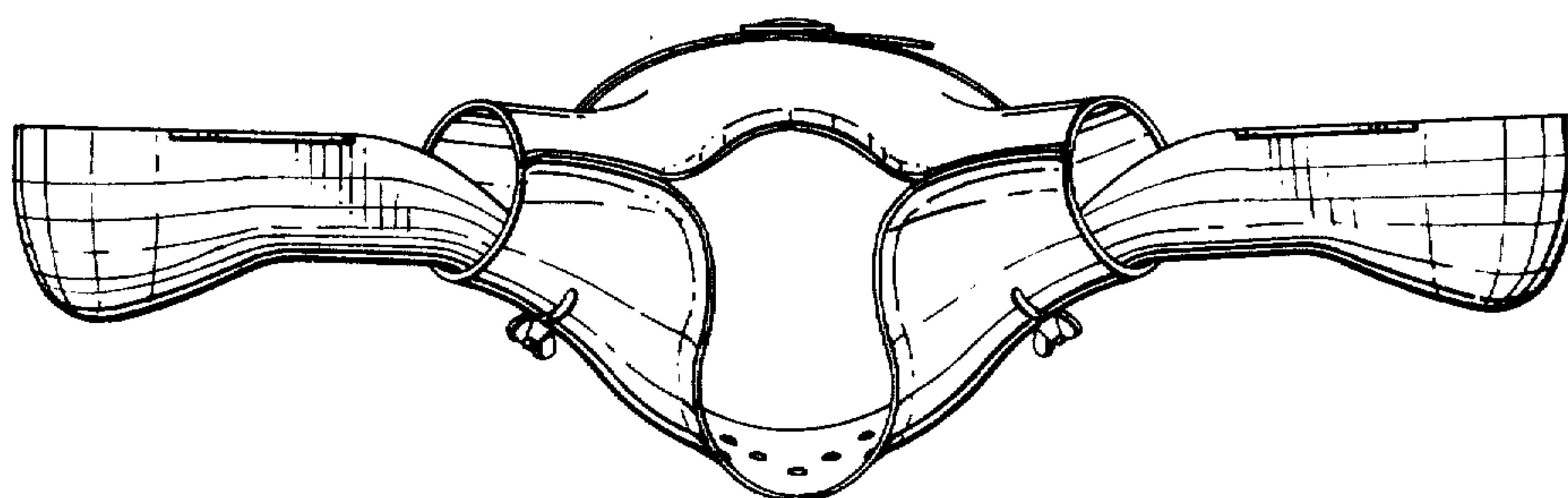
*Fig. 1.*



*Fig. 2.*



*Fig. 3.*



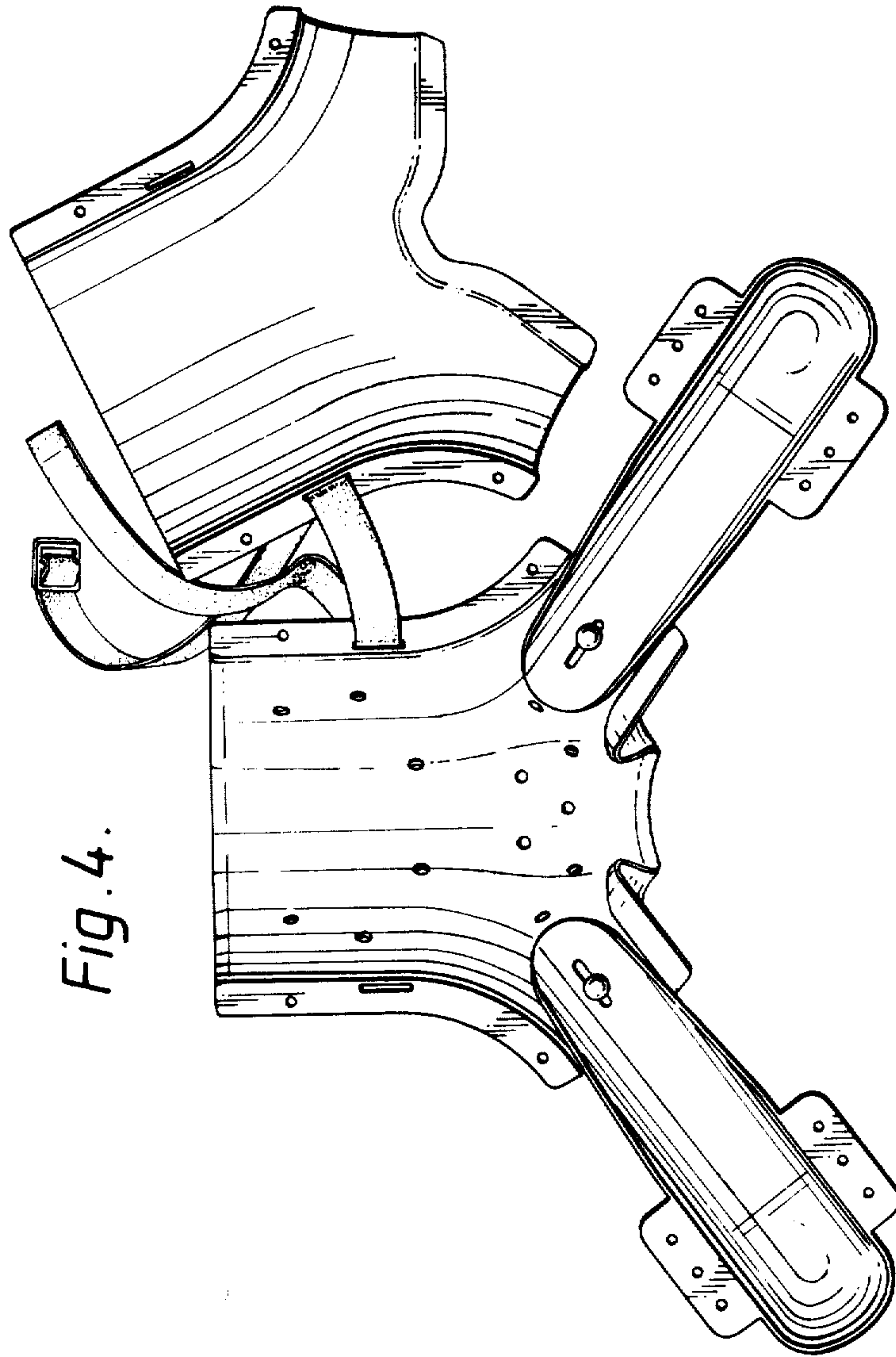


Fig. 4.