

[54] ENVELOPE BLANK OR THE LIKE

[75] Inventor: Lewis Teffeau, Doylestown, Pa.

[73] Assignee: American Standard Inc., New York, N.Y.

[**] Term: 14 Years

[21] Appl. No.: 65,242

[22] Filed: Aug. 9, 1979

[51] Int. Cl. D19-01

[52] U.S. Cl. D19/3

[58] Field of Search D19/26-33, D19/3-4; 281/21 A, 38; 312/184; D6/131; 229/62, 68 R, 69, 70, 81; 282/16 B, 11.5 A

[56] References Cited

U.S. PATENT DOCUMENTS

D. 225,791 1/1973 Nast D19/33

D. 226,294	2/1973	Gnader	D6/131
3,256,941	6/1966	Rivman	229/62
3,476,307	11/1969	Faltin et al.	229/69
3,554,438	1/1971	Malderghem	229/69
3,779,449	12/1973	Membrino	229/69
3,817,445	6/1974	Greason	229/70

Primary Examiner—George P. Word
Attorney, Agent, or Firm—Seidel, Gonda, Goldhammer & Panitch

[57] CLAIM

The ornamental design for an envelope blank or the like, substantially as shown and described.

DESCRIPTION

FIG. 1 is a perspective view of an envelope blank or the like showing my new design;
FIG. 2 is a top plan view;
FIG. 3 is a rear perspective view; and
FIG. 4 is a bottom plan view.

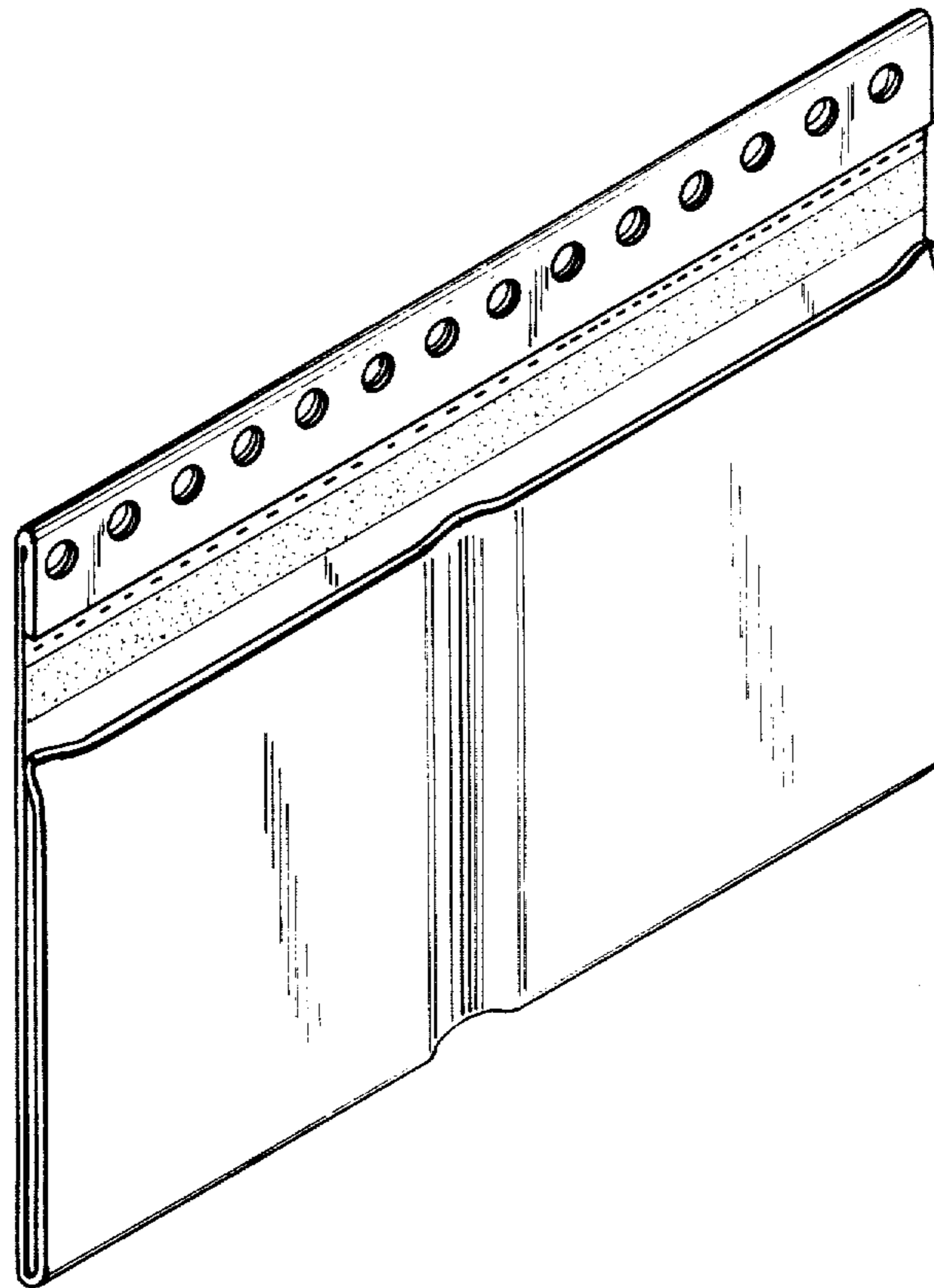


FIG. 1

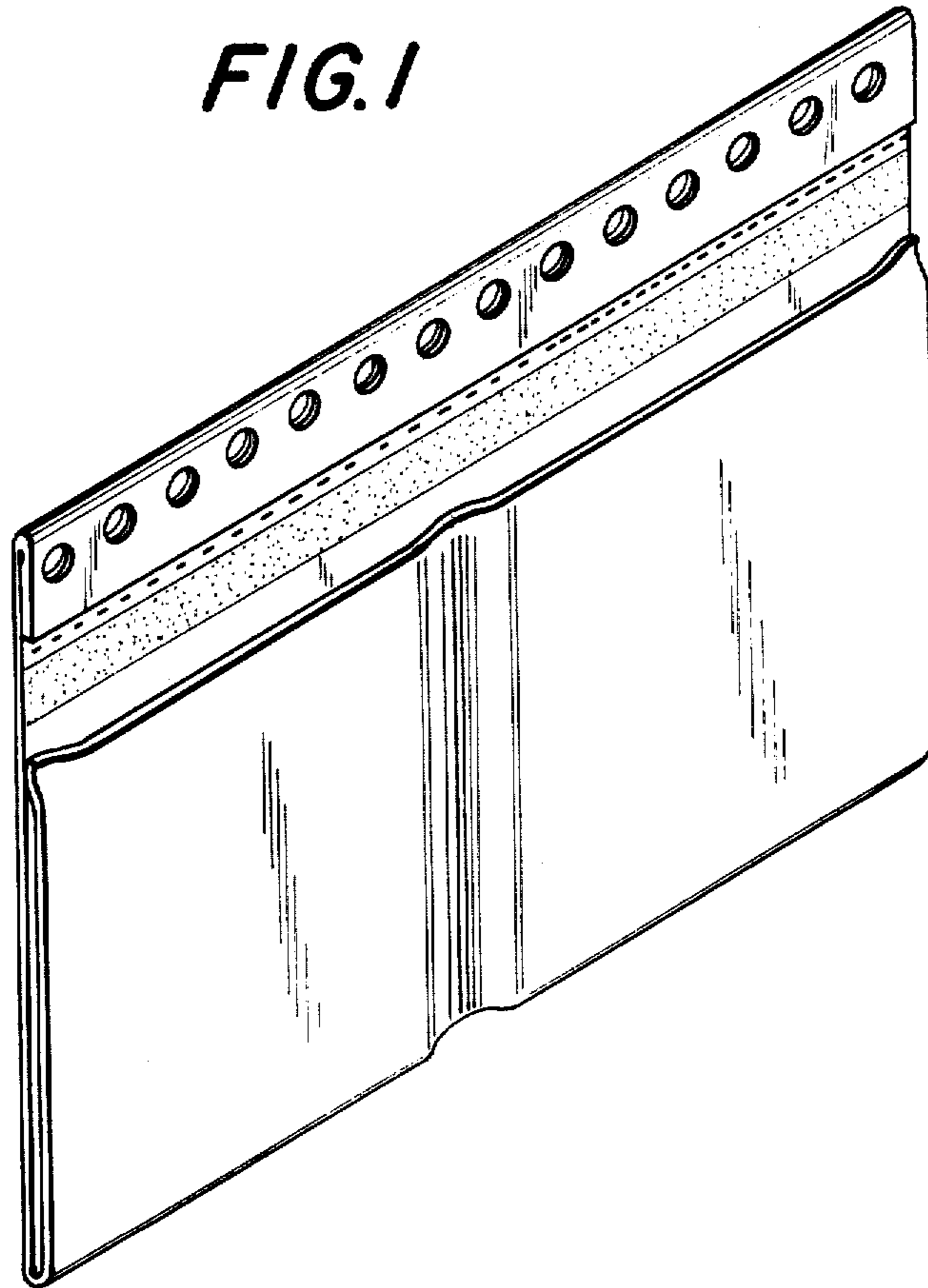


FIG. 2

FIG. 3

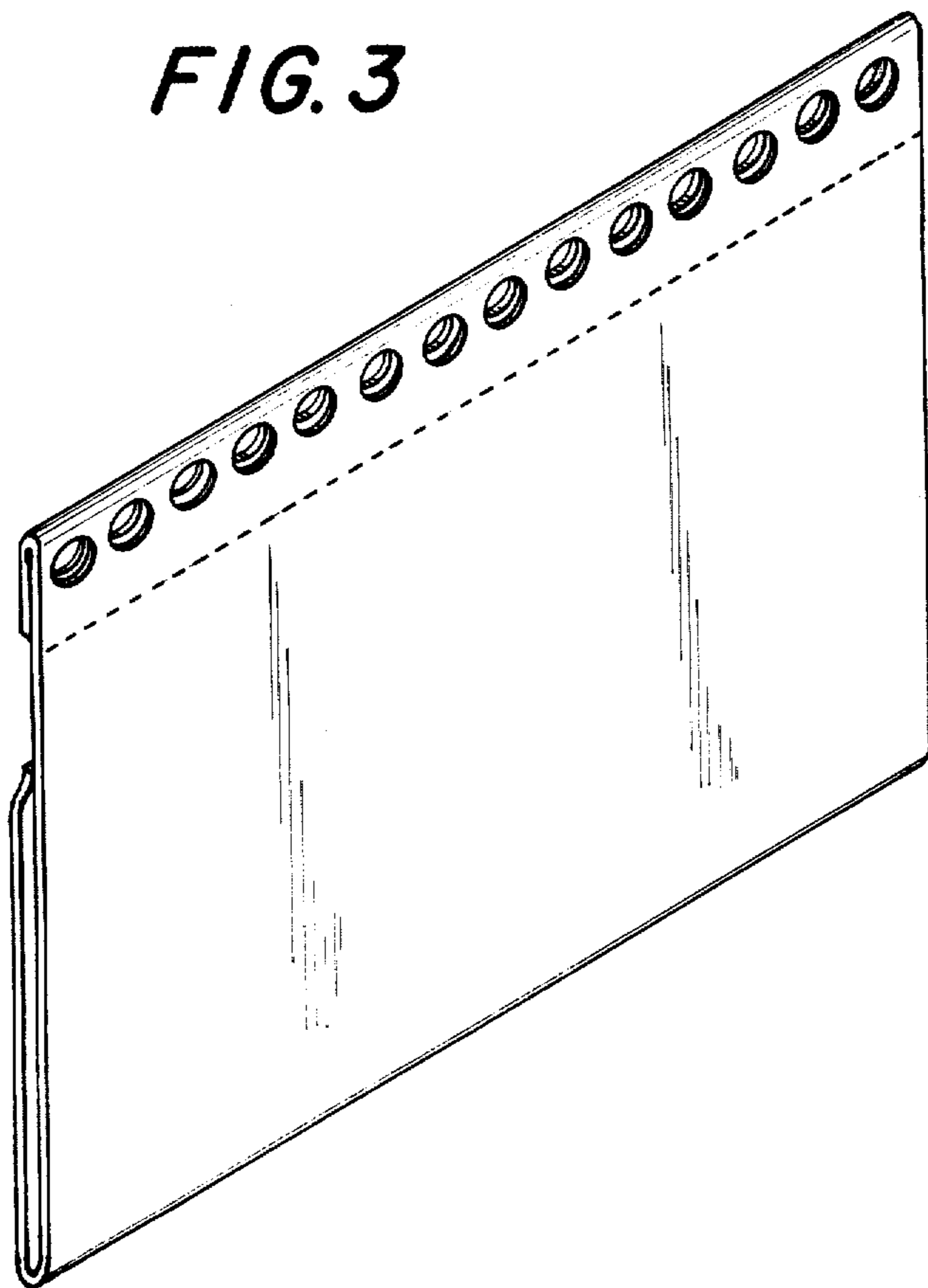


FIG. 4