

[54] VENTILATING HATCH

[76] Inventors: Edgar L. Parks; Greig H. Parks, both of P.O. Box 527, Lexington, Md. 20653

[\*\*] Term: 14 Years

[21] Appl. No.: 119,160

[22] Filed: Feb. 6, 1980

[51] Int. Cl. .... D12-06

[52] U.S. Cl. .... D12/317; 114/211; D23/151

[58] Field of Search ..... D12/317; D23/138-140, D23/151, 163, 137, 127; 114/211, 212; 98/2.14, 2.17, 8

[56] References Cited

U.S. PATENT DOCUMENTS

2,550,353	4/1951	Hopfinger	98/8
2,711,126	6/1955	Atkinson	98/13
2,839,986	6/1958	Herman	114/211
3,311,043	3/1967	Atkinson	98/37
3,779,149	12/1973	Bernard	114/211

3,919,927	11/1975	Bernard	98/2.17
4,189,987	2/1980	Amberg	98/2.14
4,193,339	3/1980	Giles	98/2.14
4,241,645	12/1980	Comte	114/211

FOREIGN PATENT DOCUMENTS

69438 7/1945 Norway .

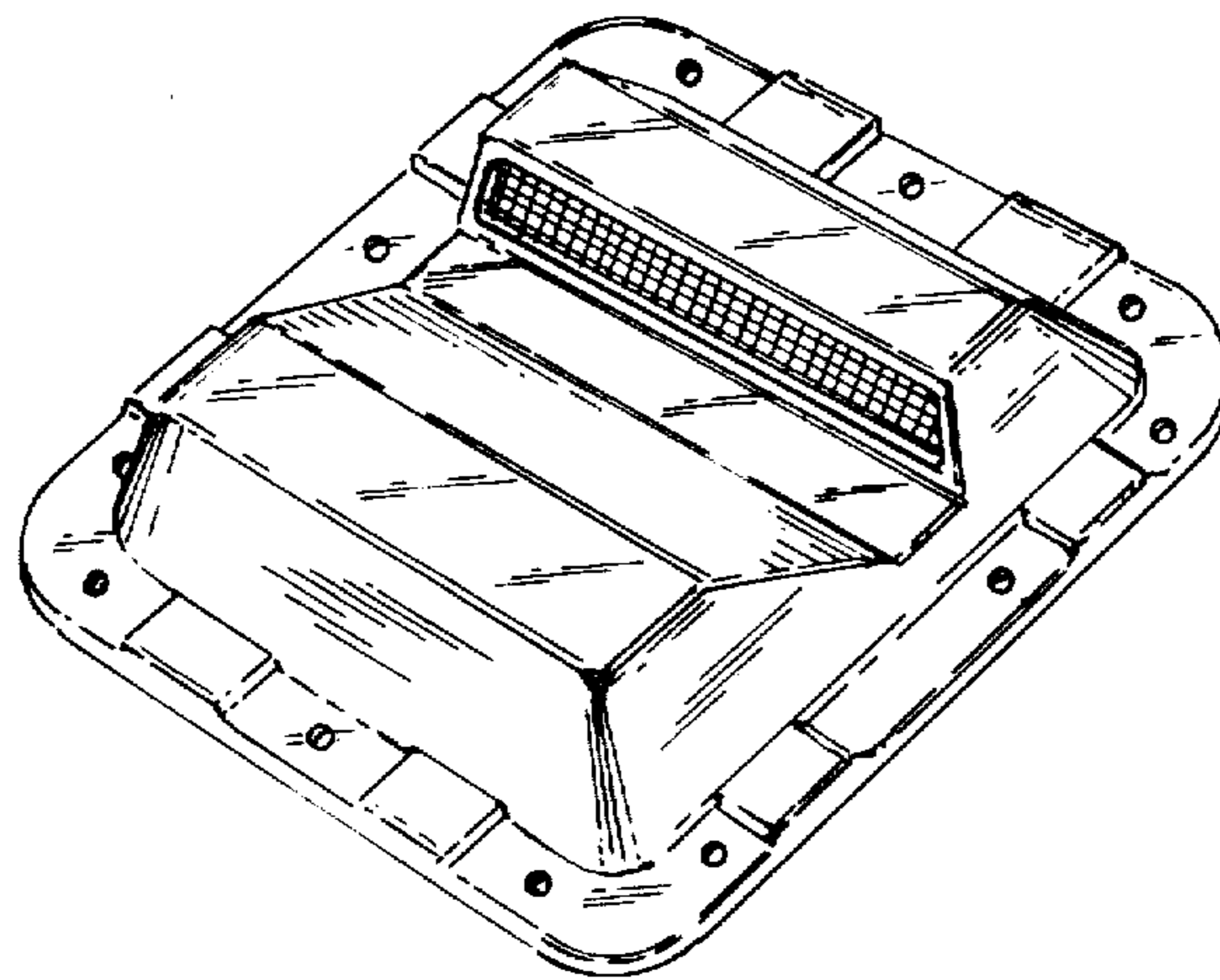
Primary Examiner—T. Tung  
Attorney, Agent, or Firm—Low and Low

[57] CLAIM

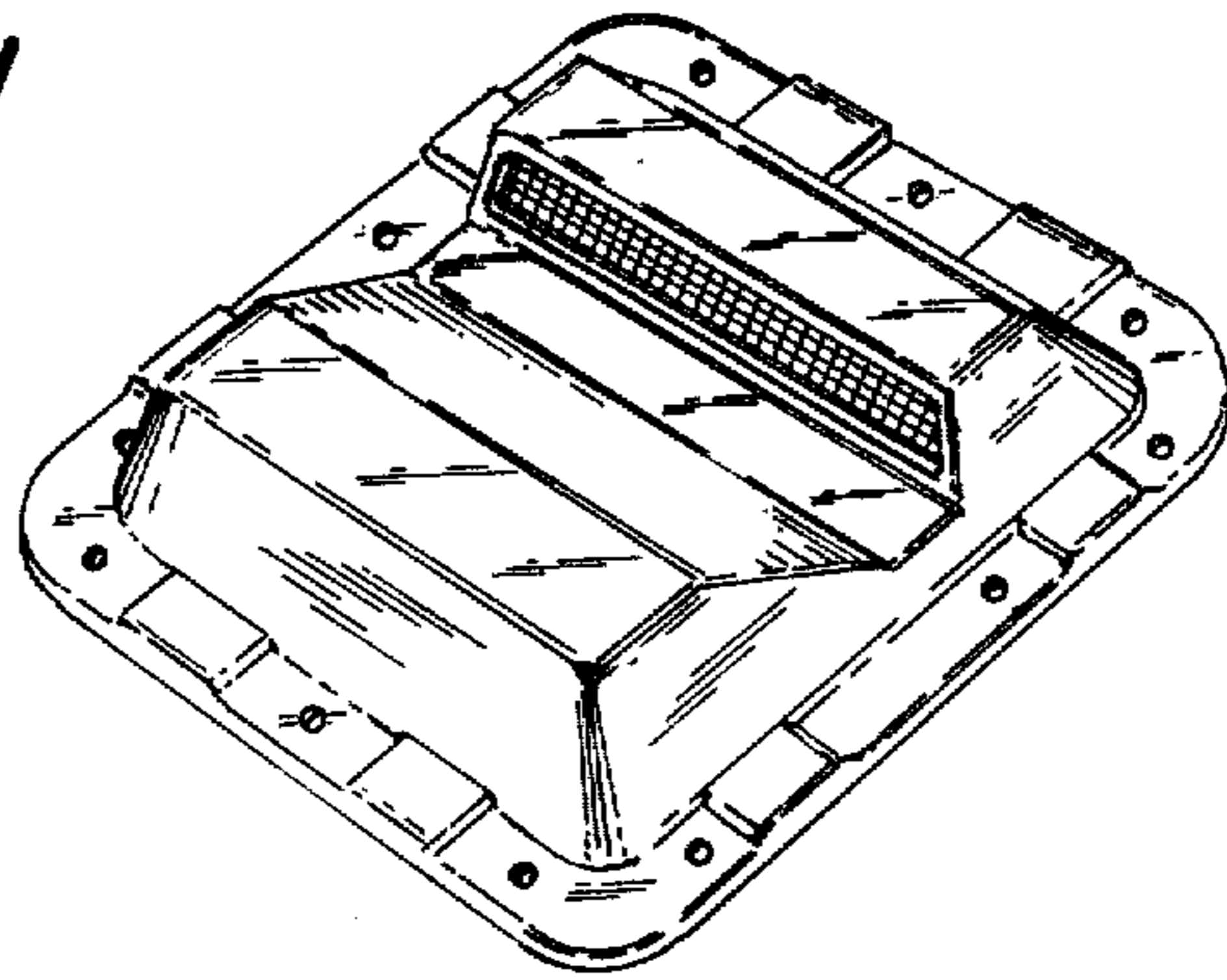
The ornamental design for a ventilating hatch, substantially as shown.

DESCRIPTION

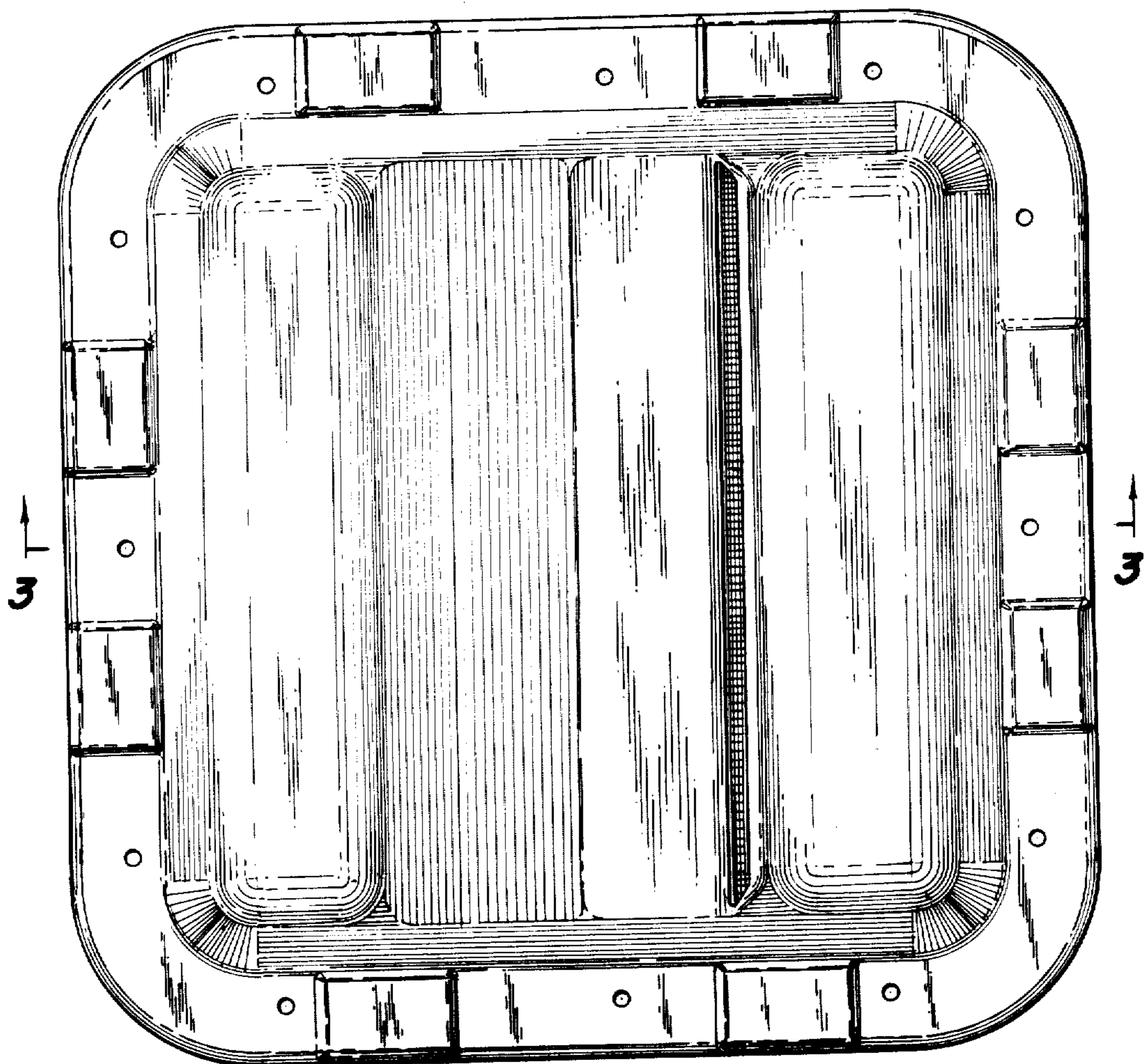
FIG. 1 is a perspective view of the ventilating hatch; FIG. 2 is a top plan view thereof, somewhat enlarged; FIG. 3 is a side elevation view in section along the lines 3-3 in FIG. 2; FIG. 4 is a bottom plan view thereof; FIG. 5 is a side elevation view of the left-hand side thereof; and FIG. 6 is a front elevation view thereof. The right-hand side and rear are similar, respectively to FIGS. 5 and 6.



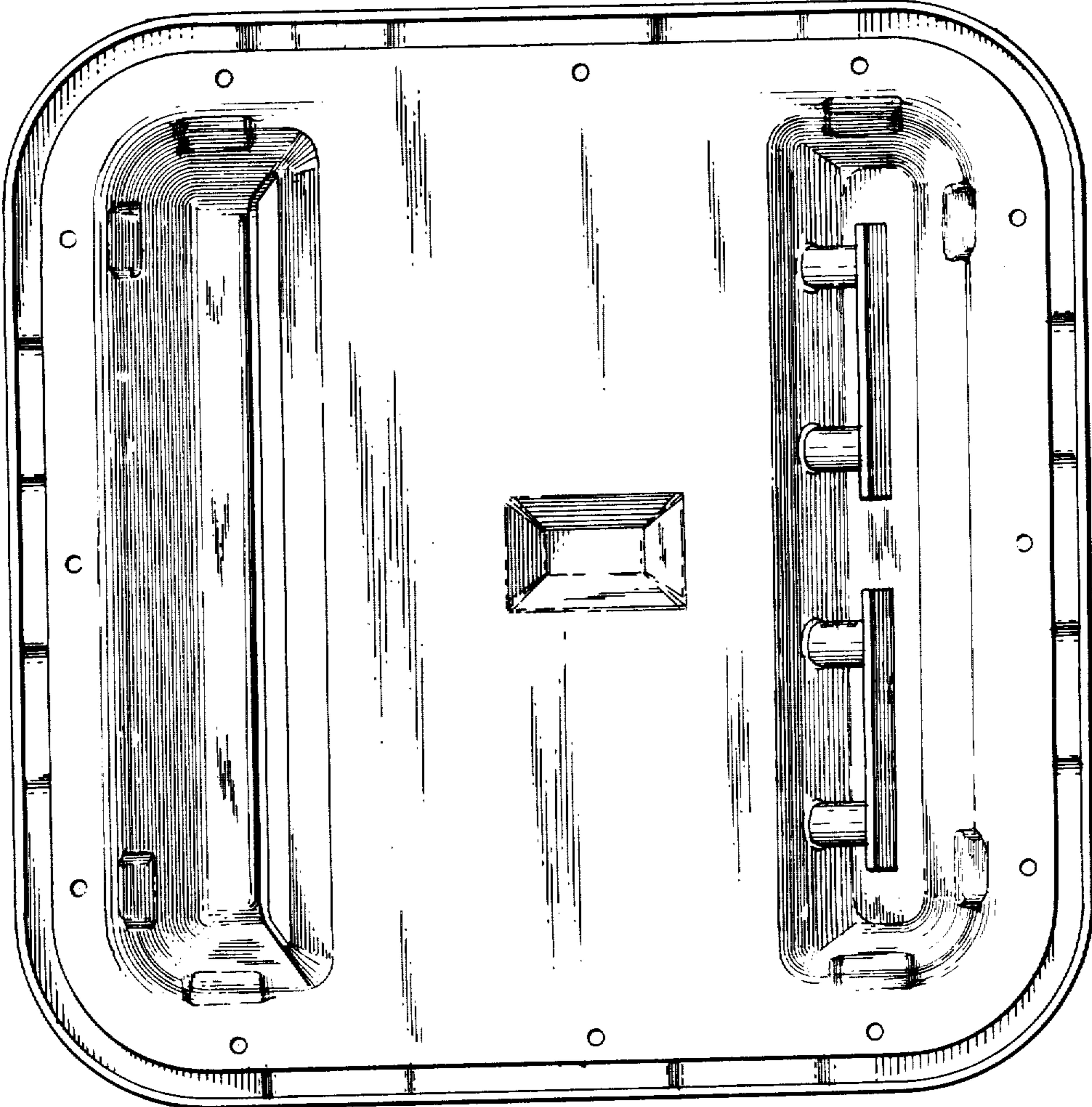
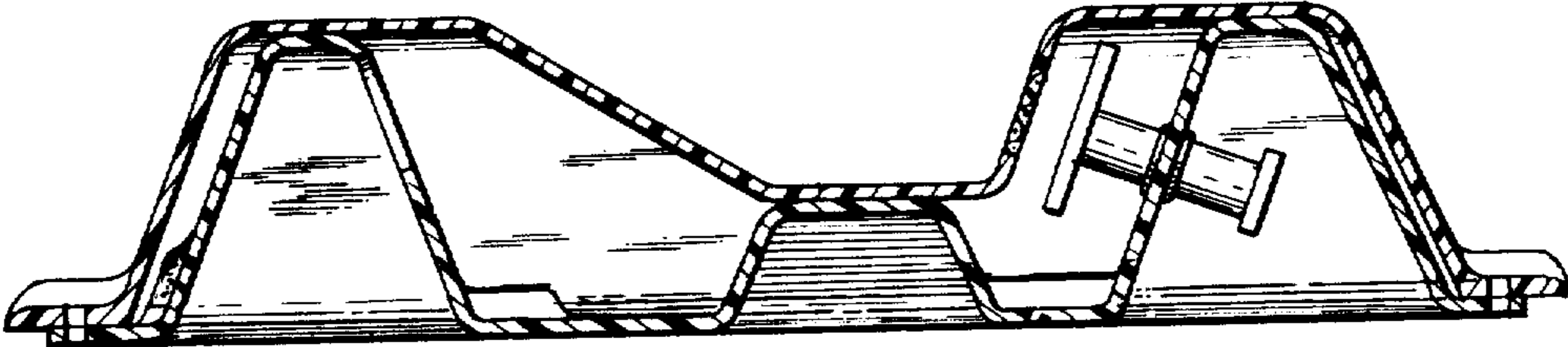
*Fig. 1*



*Fig. 2*

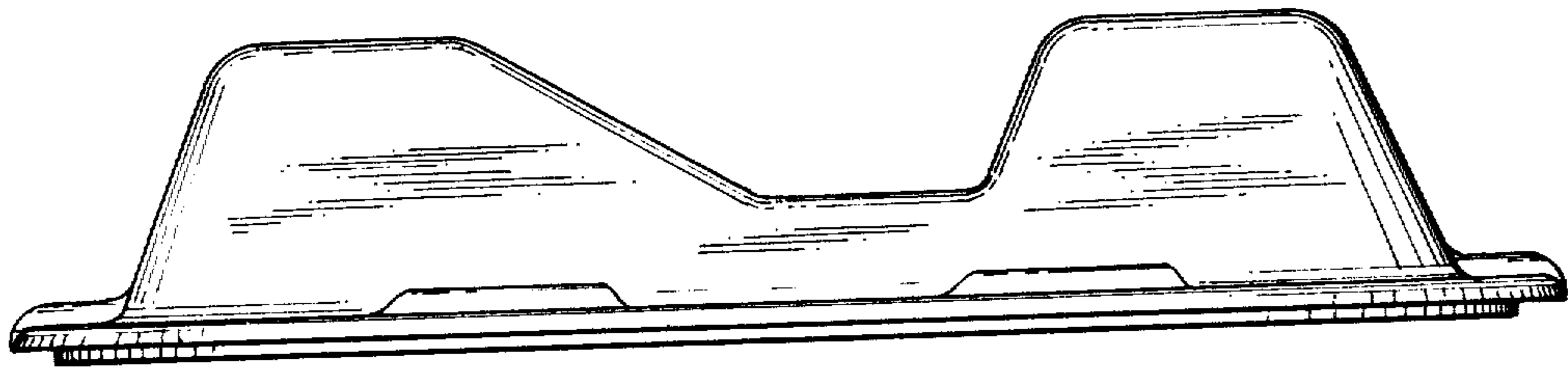


*Fig. 3*



*Fig. 4*

*Fig. 5*



*Fig. 6*

