

[54] BRAKE DRUM

[75] Inventor: William G. Reynolds, deceased, late of Bal Harbour, Fla.

[73] Assignee: Reynolds Metals Company, Richmond, Va.

[**] Term: 14 Years

[21] Appl. No.: 145,673

[22] Filed: May 1, 1980

[51] Int. Cl. D12-16

[52] U.S. Cl. D12/180

[58] Field of Search D12/180; 188/218 R, 188/264 R, 264 AA

[56] References Cited

U.S. PATENT DOCUMENTS

- 2,044,924 6/1936 Timken 188/218 R
- 2,998,870 9/1961 Herman et al. 188/218 R

FOREIGN PATENT DOCUMENTS

665108 6/1963 Canada 188/218 R

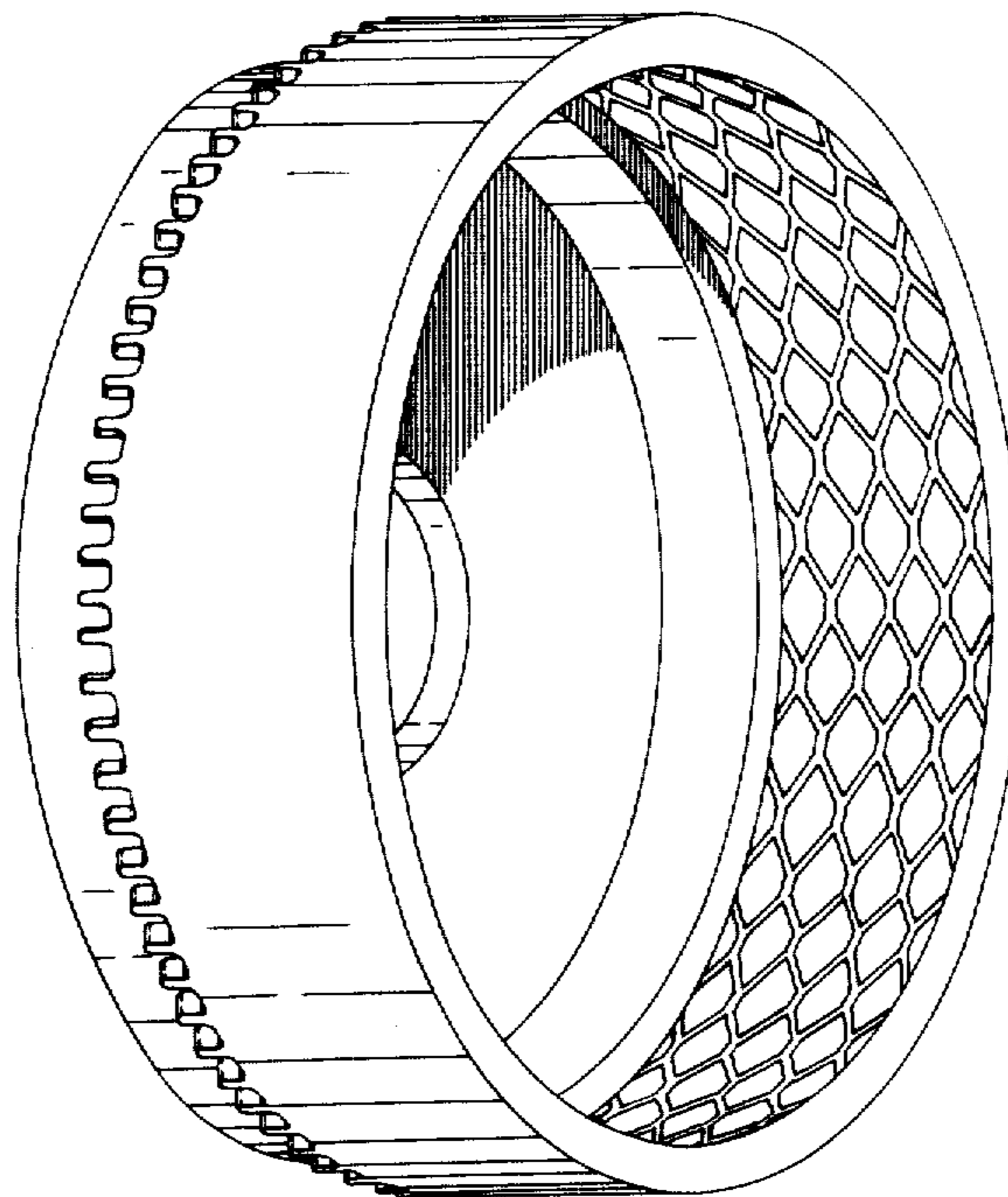
Primary Examiner—James M. Gandy
Attorney, Agent, or Firm—Lyne, Girard & McDonald

[57] CLAIM

The ornamental design for a brake drum, as shown and described.

DESCRIPTION

FIG. 1 is a perspective view of the brake drum embodying my new design;
 FIG. 2 is a right side elevational view;
 FIG. 3 is a left side elevational view, it being understood that the pattern of teeth is repeated uniformly around the circumference of the drum as shown and schematically by solid lines;
 FIG. 4 is a front elevational view; and
 FIG. 5 is a cross-sectional view taken along the line 5-5 in FIG. 3.



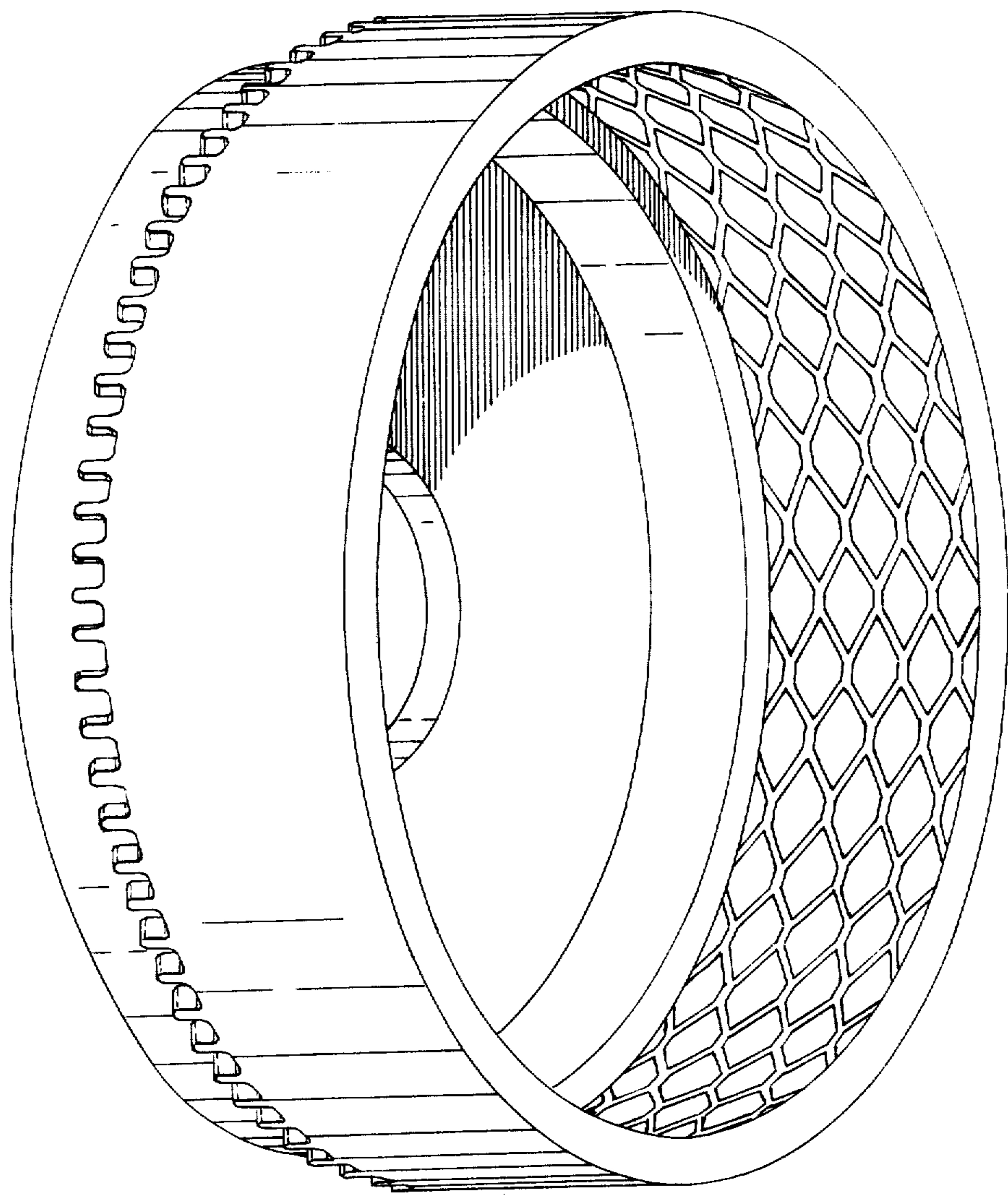


FIG. 1

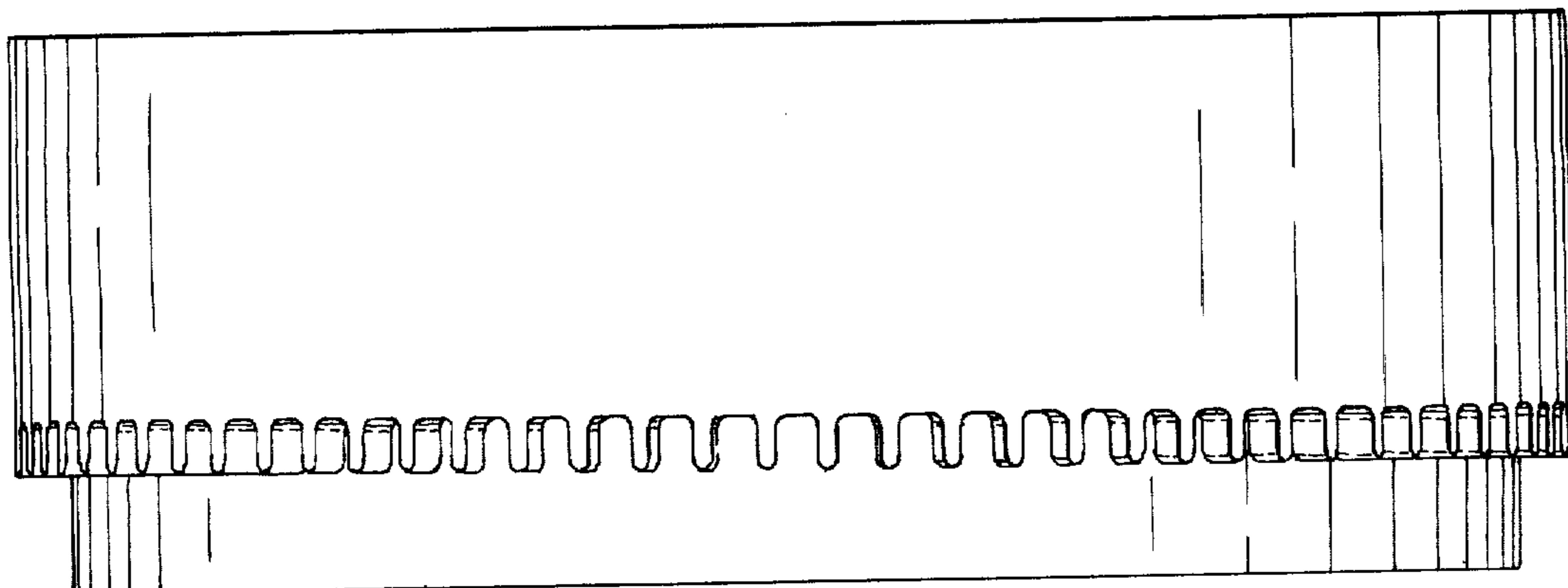


FIG. 4

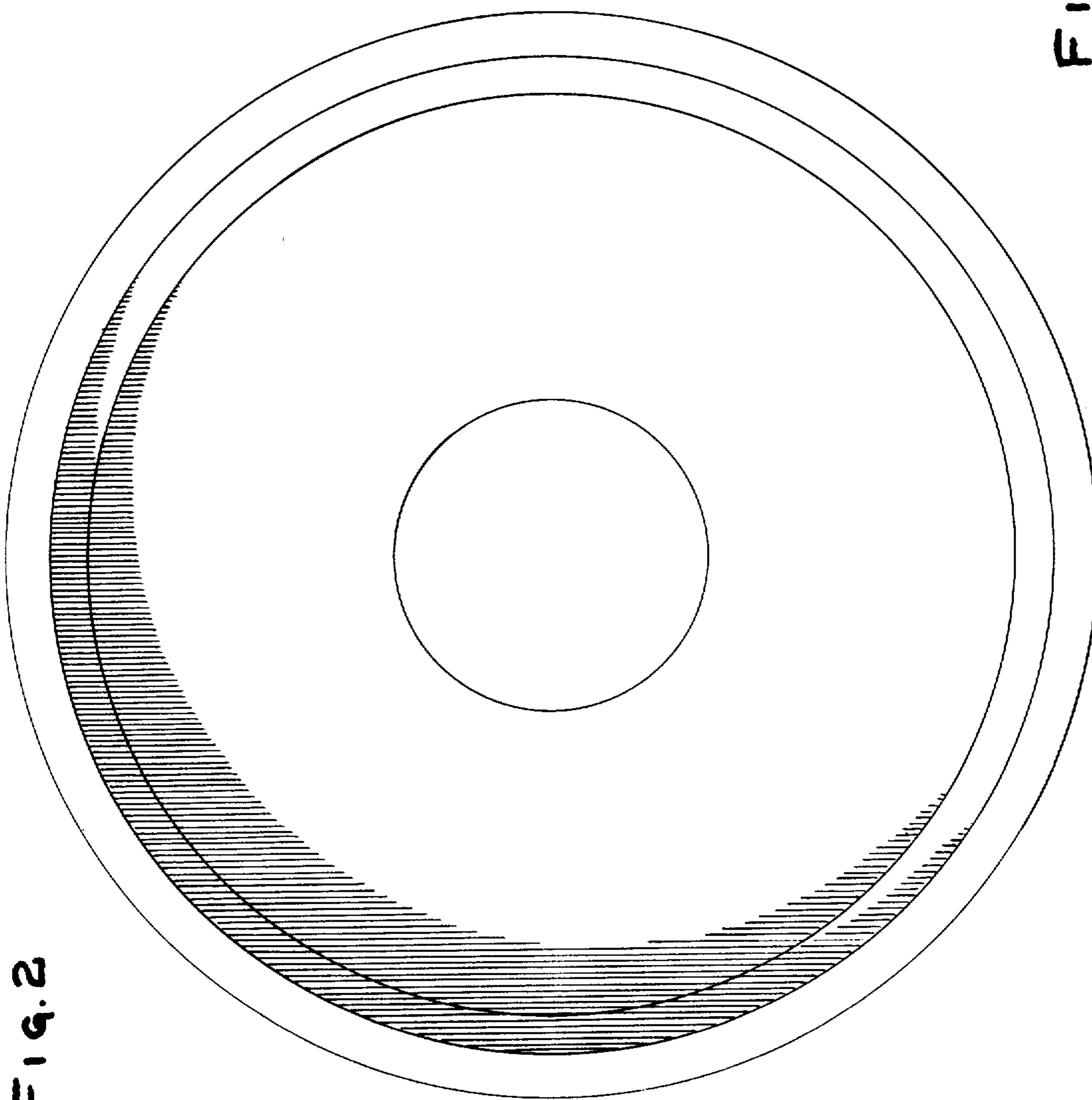


FIG. 2

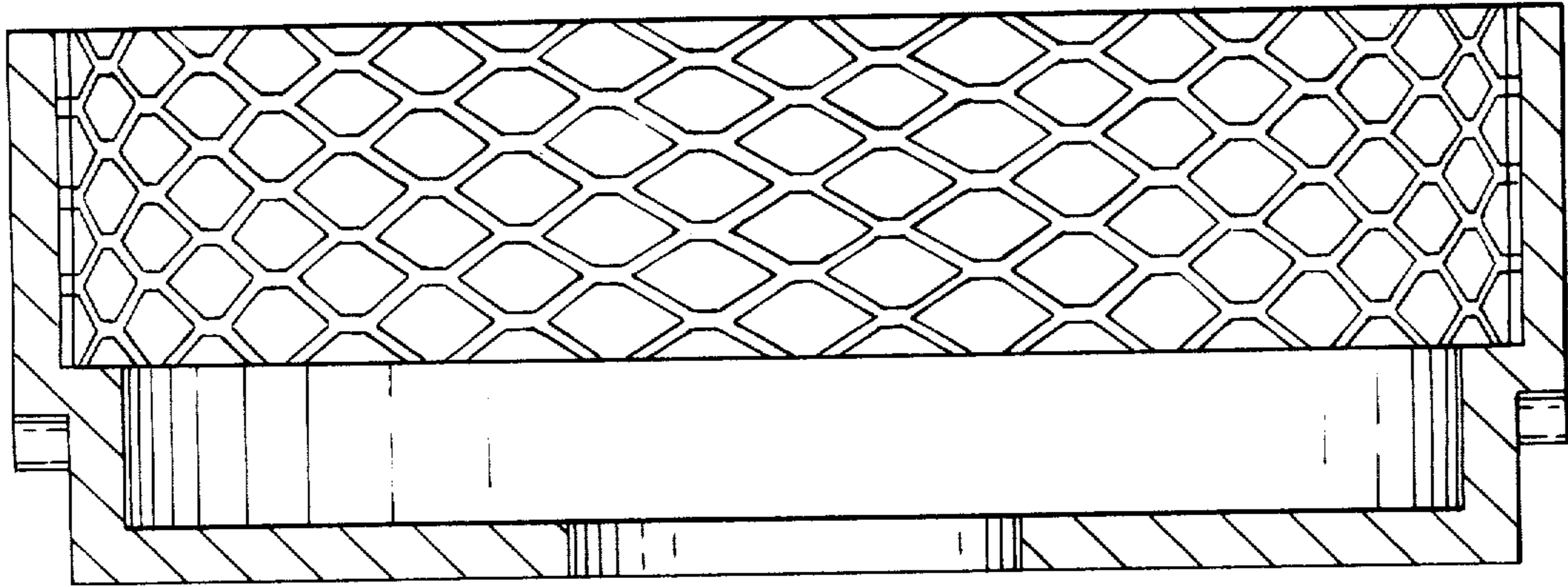


FIG. 5

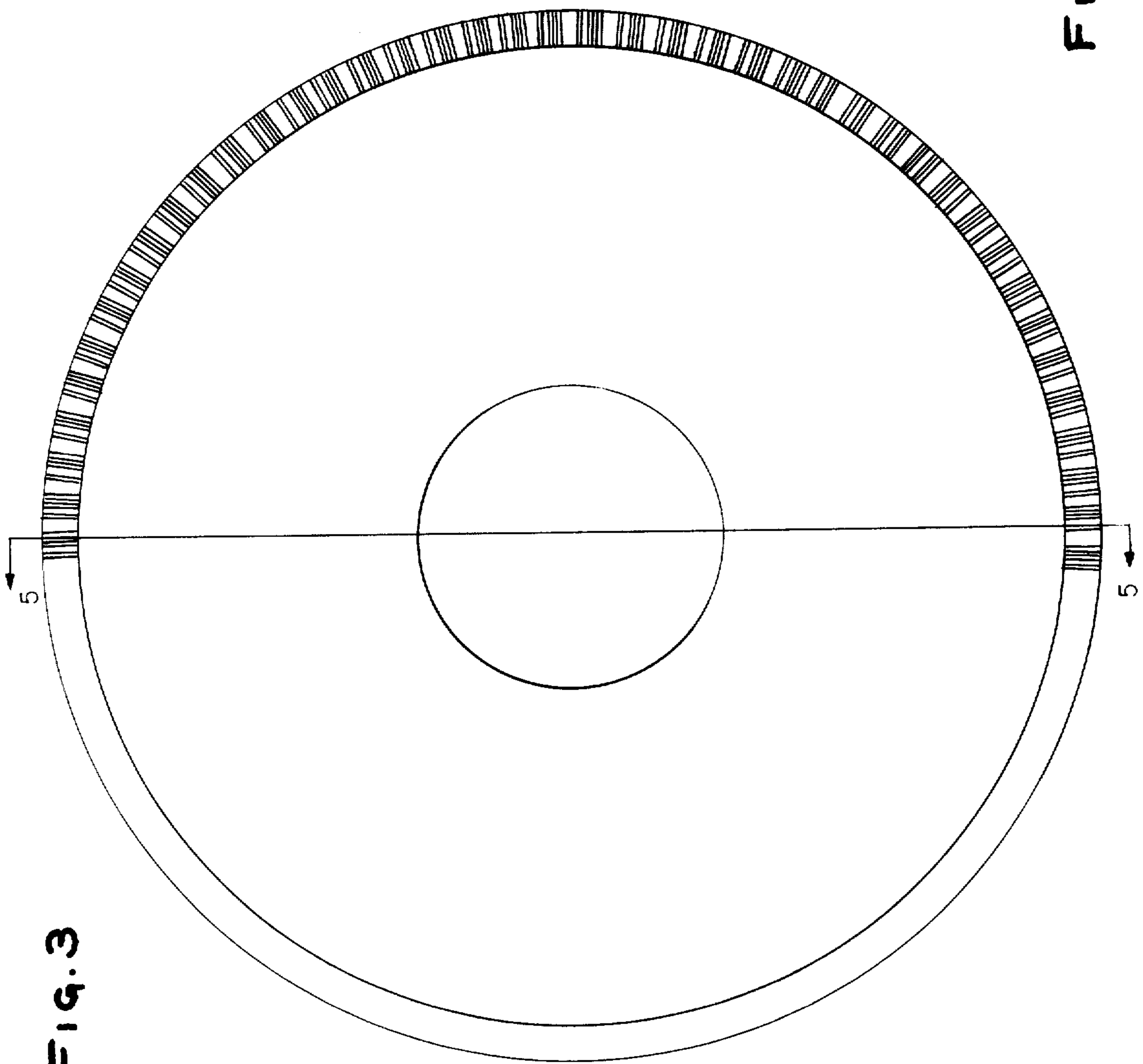


FIG. 3