

[54] PEDAL DRIVEN VEHICLE

[76] Inventor: Fredric J. Buczak, 8318 N. Central Ave., Morton Grove, Ill. 60053

[**] Term: 14 Years

[21] Appl. No.: 144,181

[22] Filed: Apr. 28, 1980

[51] Int. Cl. D12-11
[52] U.S. Cl. D12/112
[58] Field of Search D12/85, 112; D21/80, D21/76; 180/210, 211, 215; 280/281 LP, 281 B, 282

[56]

References Cited

U.S. PATENT DOCUMENTS

1,445,677 2/1923 Gardner 180/215
2,789,831 4/1957 Verik 280/282

FOREIGN PATENT DOCUMENTS

320205 10/1929 United Kingdom 280/281 LP

Primary Examiner—James M. Gandy
Attorney, Agent, or Firm—Kenneth T. Snow

[57]

CLAIM

The ornamental design for a pedal driven vehicle, as shown and described.

DESCRIPTION

FIG. 1 is a side elevational view of the pedal driven vehicle showing my new design.
FIG. 2 is a top plan view thereof.
FIG. 3 is a front elevational view thereof.
FIG. 4 is a rear elevational view thereof.

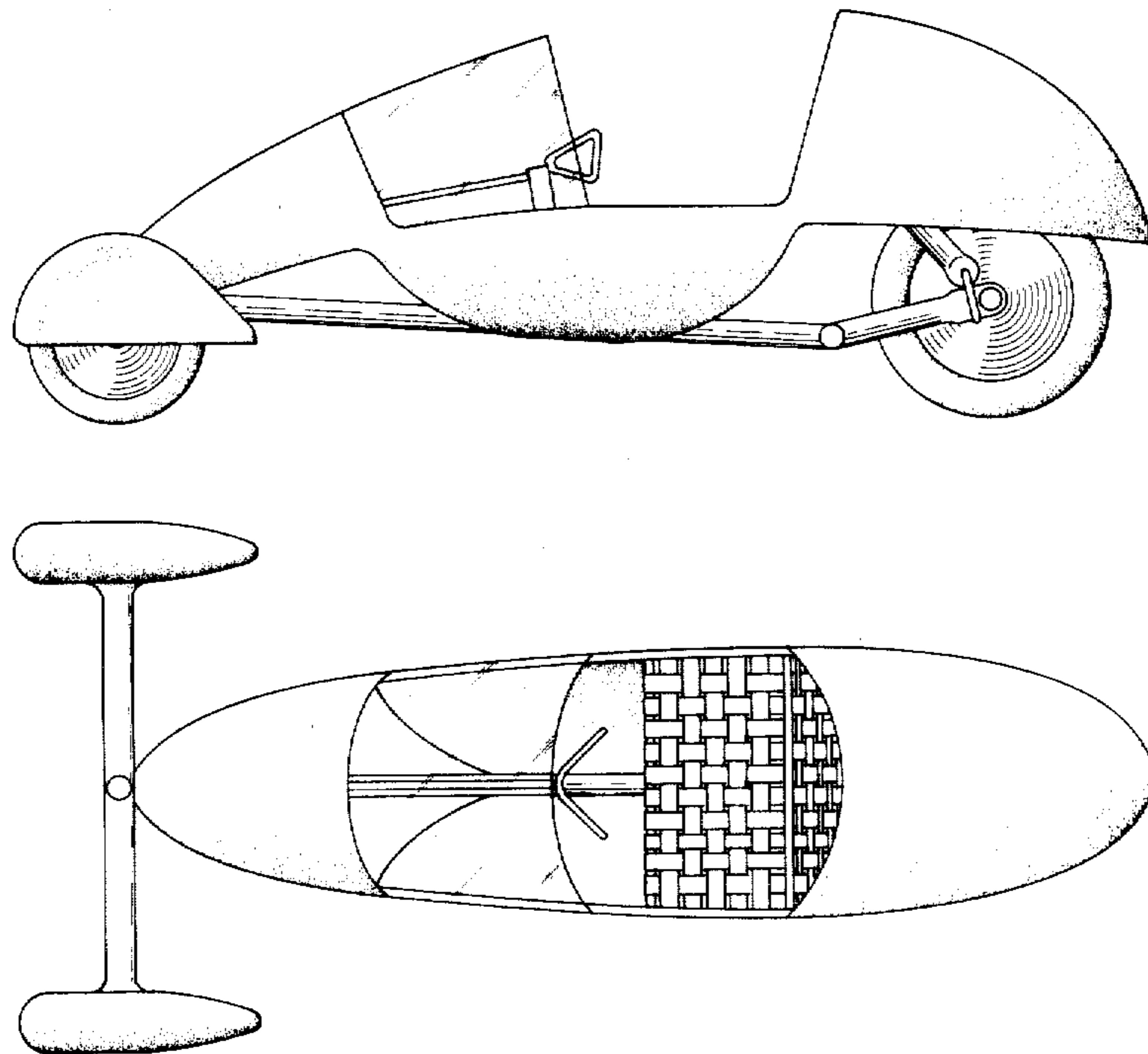


Fig. 1

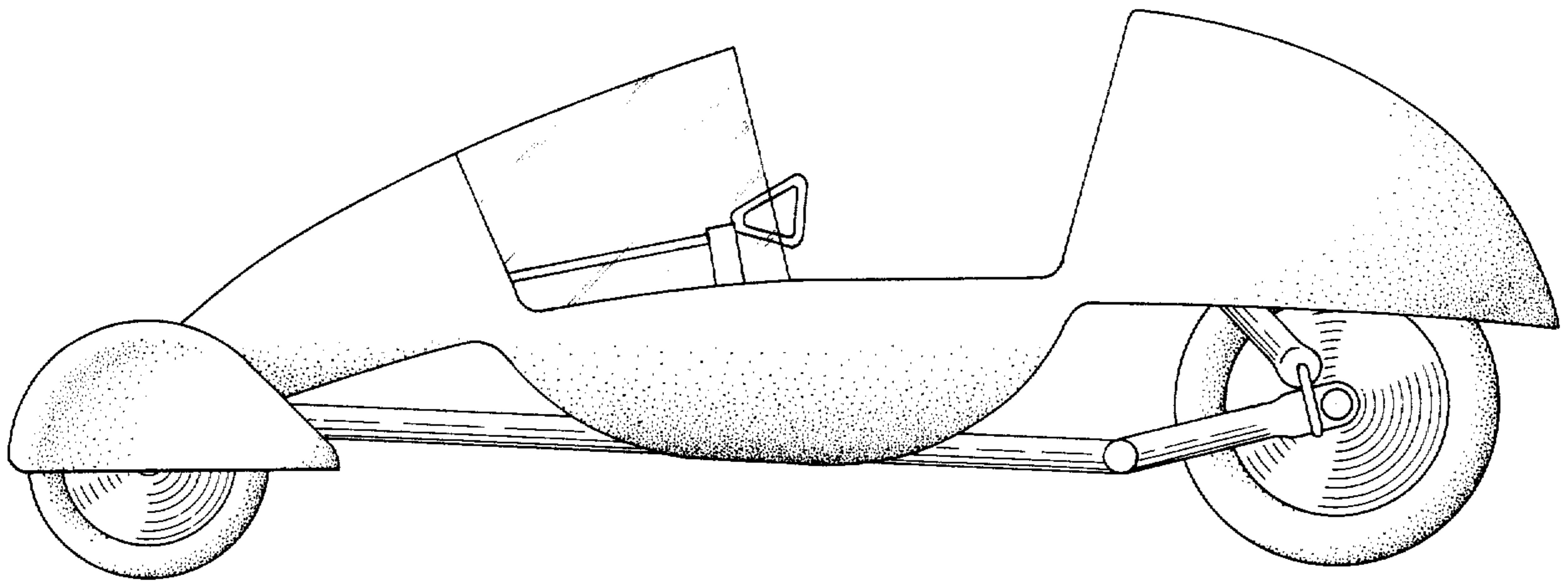


Fig. 2

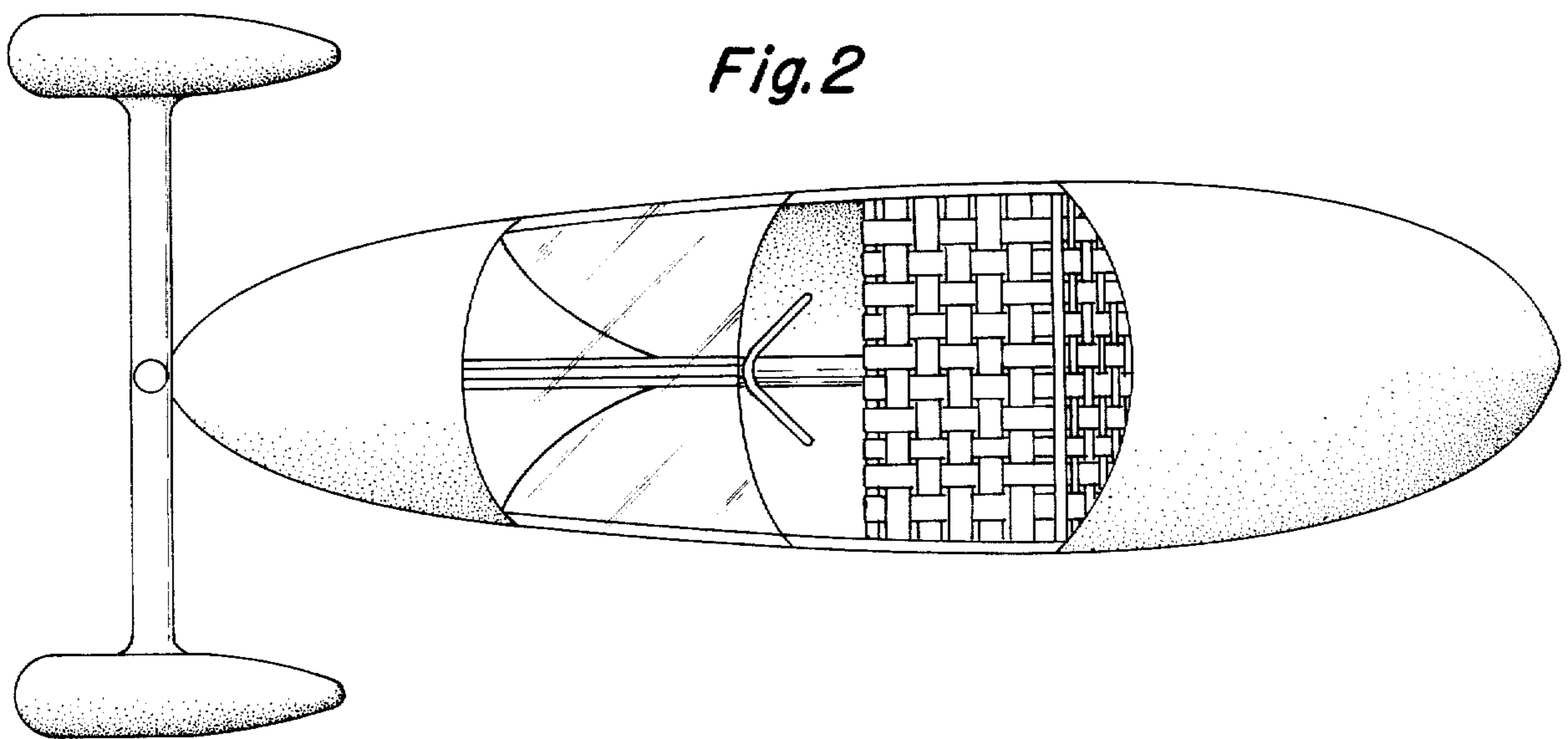


Fig. 3

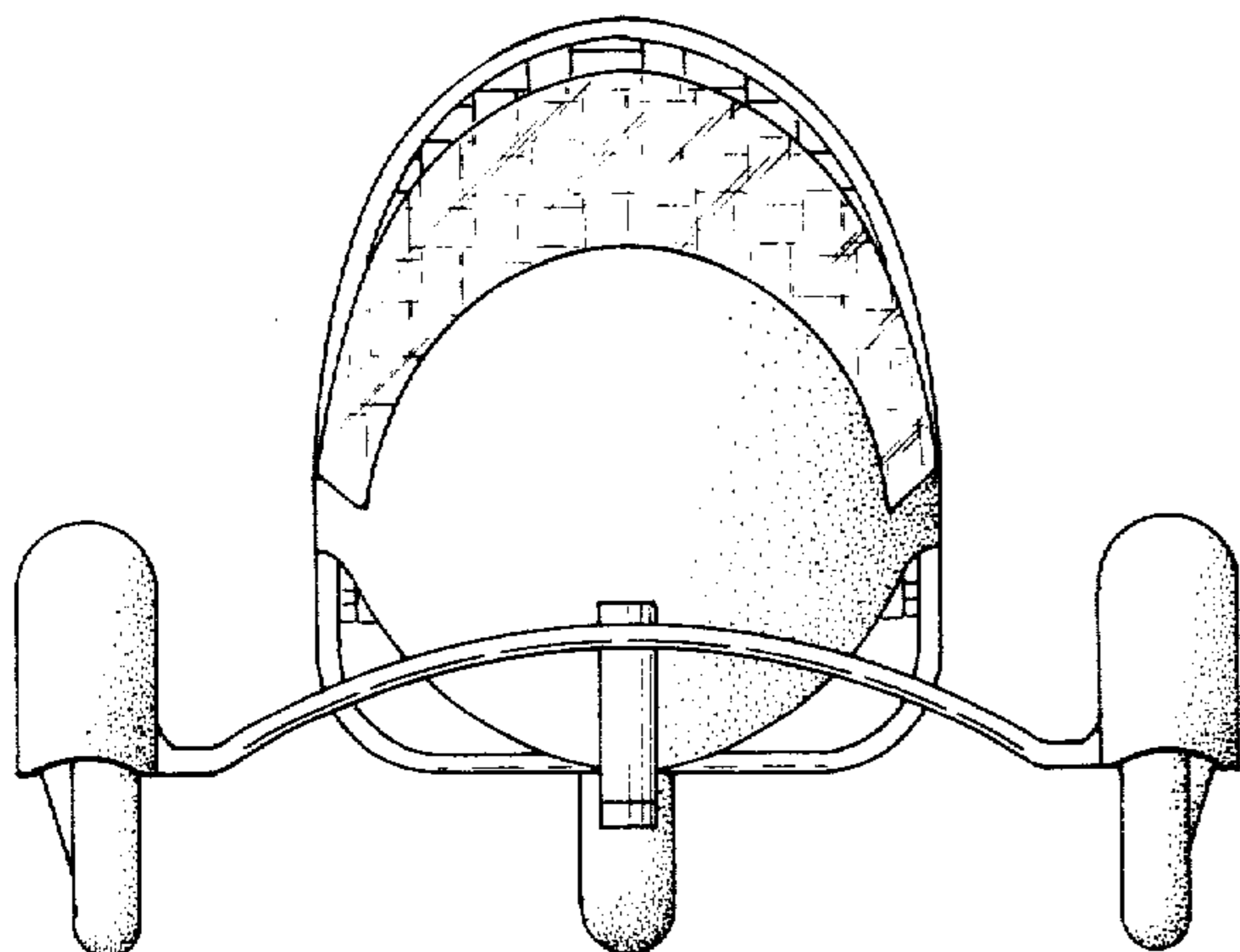


Fig. 4

