

[54] **PLANTER**

[76] **Inventor:** **Bruce J. Hazelton**, 425 E. McKellips,  
Space 106, Mesa, Ariz. 85203

[\*\*] **Term:** **14 Years**

[21] **Appl. No.:** **174,703**

[22] **Filed:** **Aug. 1, 1980**

[51] **Int. Cl.** ..... **D11—02; D19—02;**  
**D24—99**

[52] **U.S. Cl.** ..... **D11/147; D11/155;**  
**D19/85; D24/32**

[58] **Field of Search** ..... **D11/143—156,**  
**D11/164; D7/73, 74; D24/32; 47/39, 40, 33, 41**  
**R, 41.12, 41.13, 61, 66—68, 71, 72, 73, 75, 78—81,**  
**85—87; D19/85; 211/60 R, 69.5**

[56]

**References Cited**

**U.S. PATENT DOCUMENTS**

D. 141,958	8/1945	Glass	.....	D7/74
D. 190,506	6/1961	Saks et al.	.....	D11/147
D. 196,989	11/1963	Page	.....	D7/73
D. 221,787	9/1971	Rucker	.....	D11/147
3,177,616	4/1965	Sawyer	.....	47/87

*Primary Examiner*—B. J. Bullock

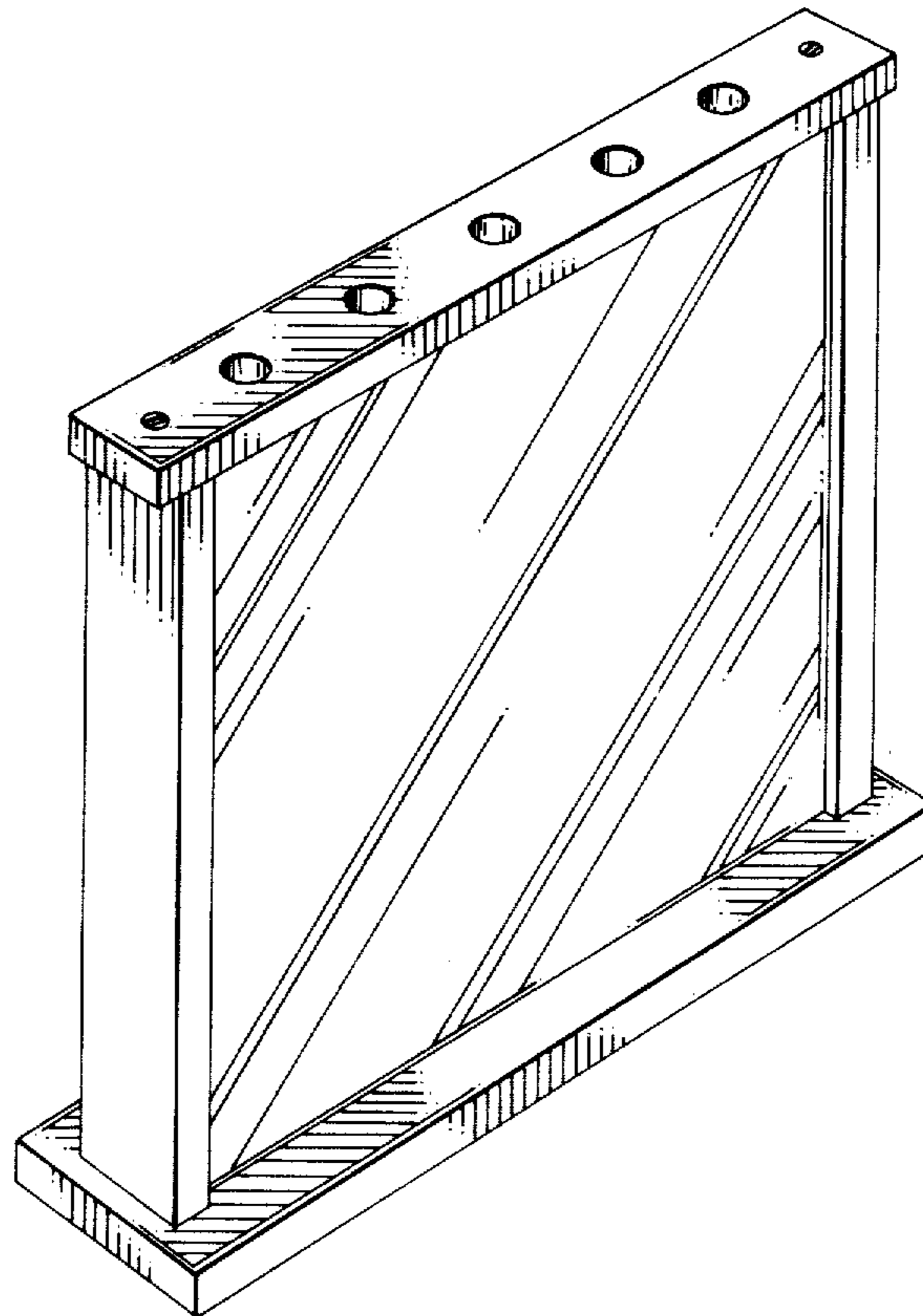
[57]

**CLAIM**

The ornamental design for a planter, as shown and described.

**DESCRIPTION**

FIG. 1 is a front perspective view of a planter showing my new design, the rear being identical;  
FIG. 2 is an end elevational view thereof, the end opposite being identical;  
FIG. 3 is a top plan view thereof;  
FIG. 4 is a fragmentary bottom plan view thereof, it being understood that the surface as shown is continuous throughout.



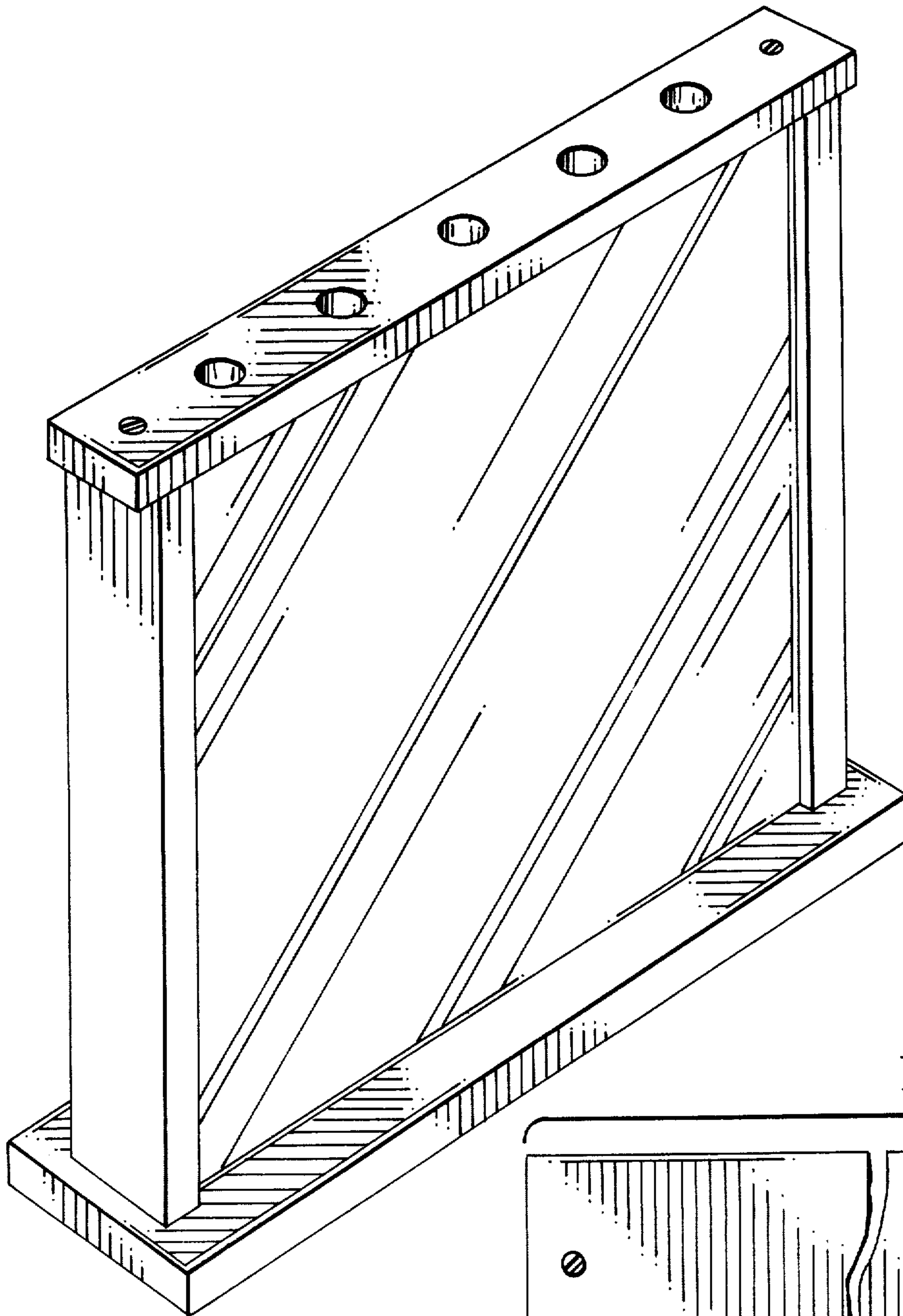


FIG. 1

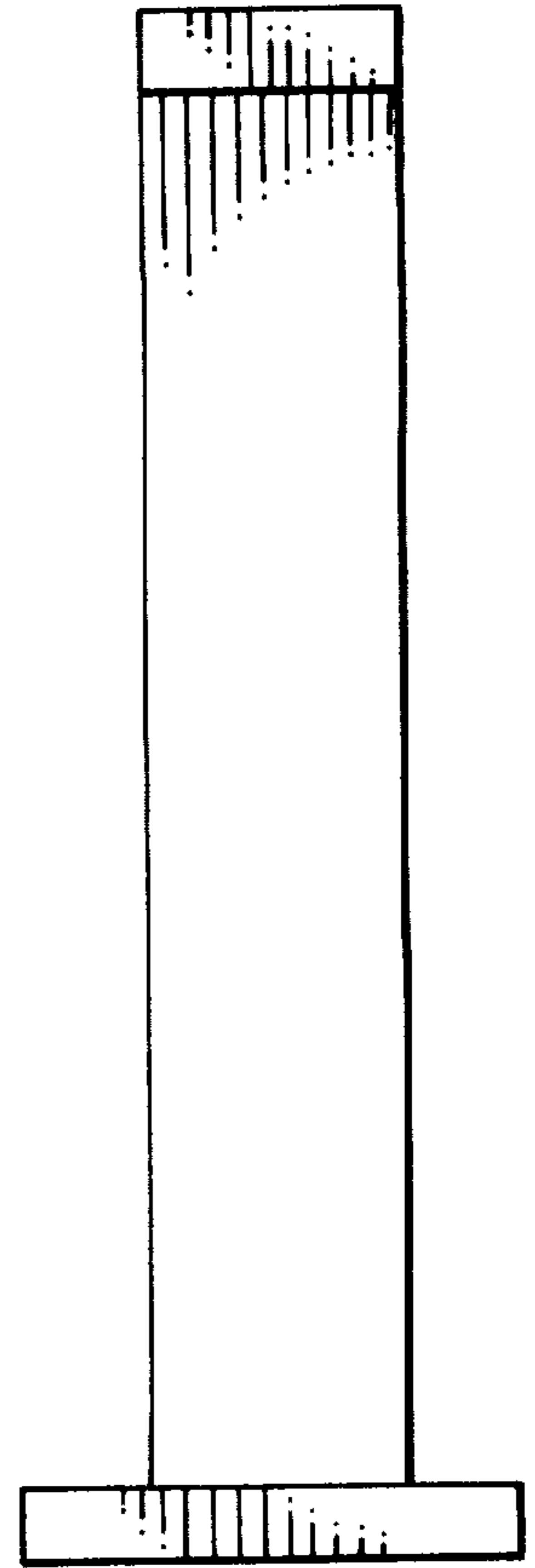


FIG. 2

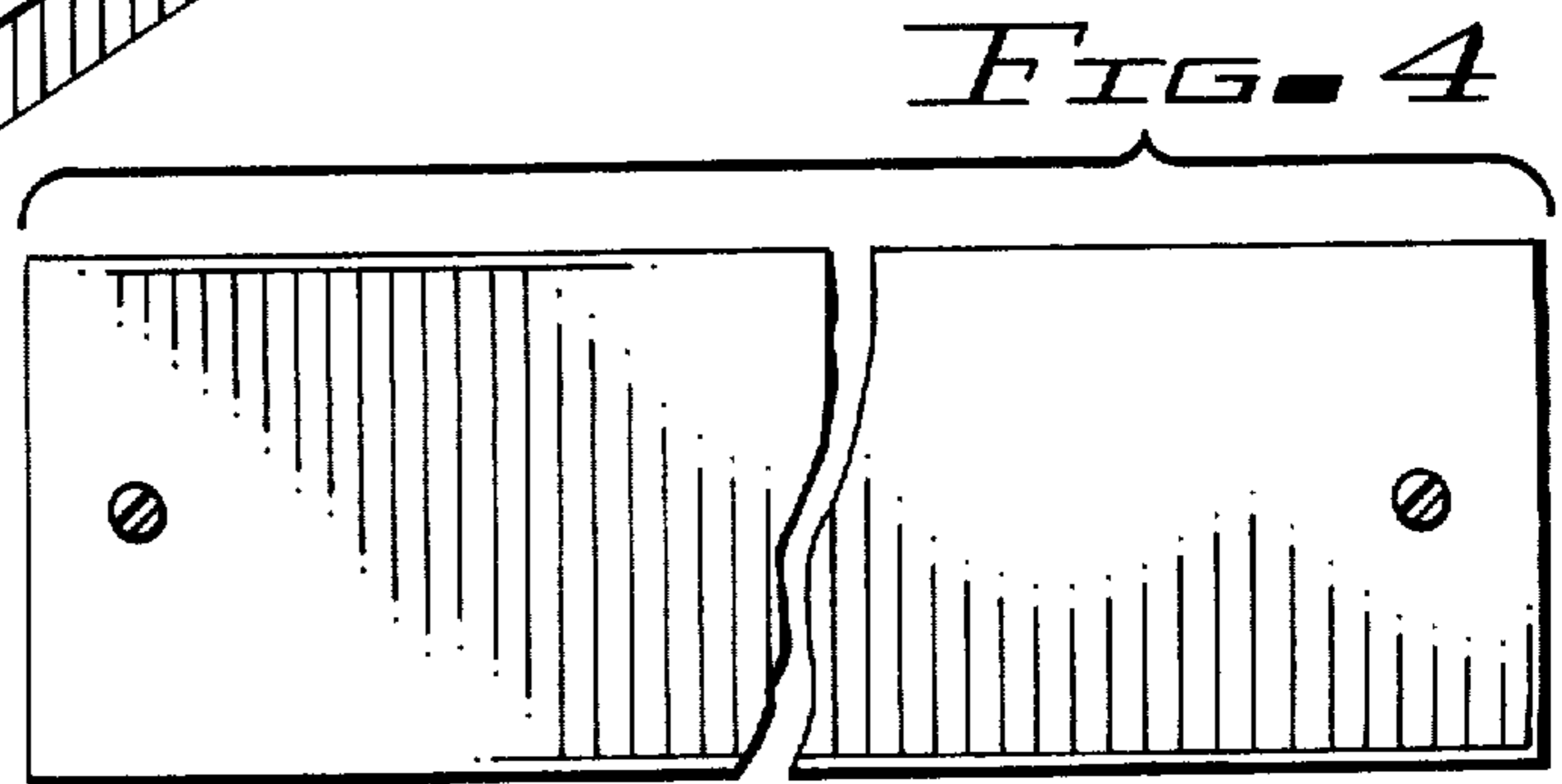


FIG. 4

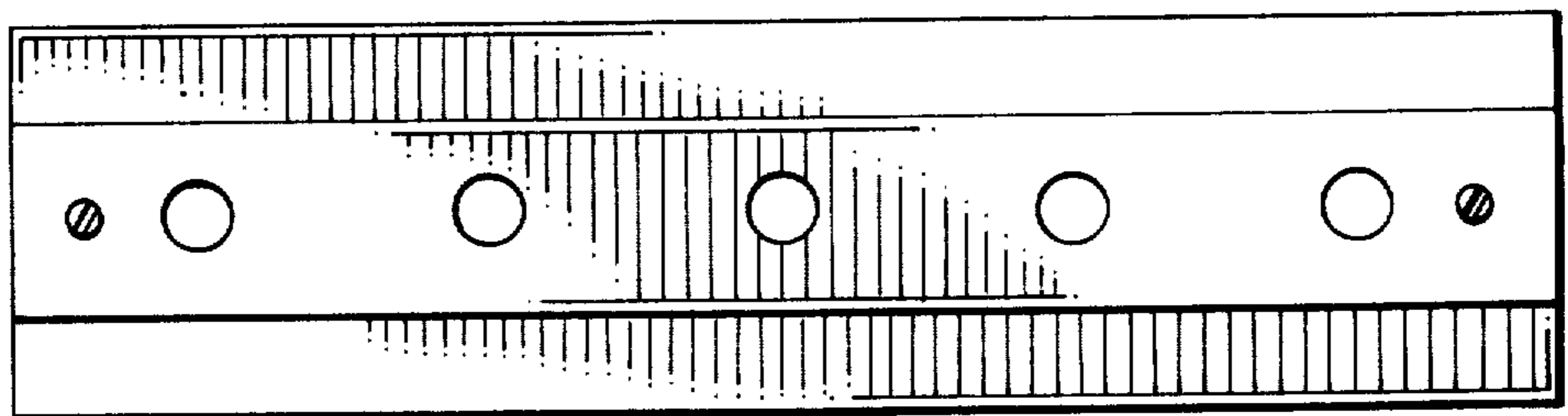


FIG. 3