

[54] PORTABLE CIRCULAR POWER SAW SUPPORT

[75] Inventors: Irwin J. Ferdinand, Glencoe; Richard Sylvan, Glenview; Herbert Baisch, Palatine, all of Ill.

[73] Assignee: Hirsh Company, Skokie, Ill.

[\*\*] Term: 14 Years

[21] Appl. No.: 141,074

[22] Filed: Apr. 29, 1980

[51] Int. Cl. D8-03
[52] U.S. Cl. D8/71
[58] Field of Search D8/71; 83/471.2, 471.3, 83/477.1, 477, 477.2, 486.1, 490, 522, 574; 269/1

[56] References Cited

U.S. PATENT DOCUMENTS

Table with 4 columns: Patent Number, Date, Inventor Name, and Reference Number. Includes entries for Roug, Truchan, Bergler, Burch, Chappell, and Akin.

OTHER PUBLICATIONS

'The Versatile One', 71 Miter Saw TGS, No date provided.
Export Market Magazine, 12/79, Transportable Cut-Off Saw, p. H 14.
Sears Catalog, p. 68, Circular Saw Miter Attachment, No date provided.

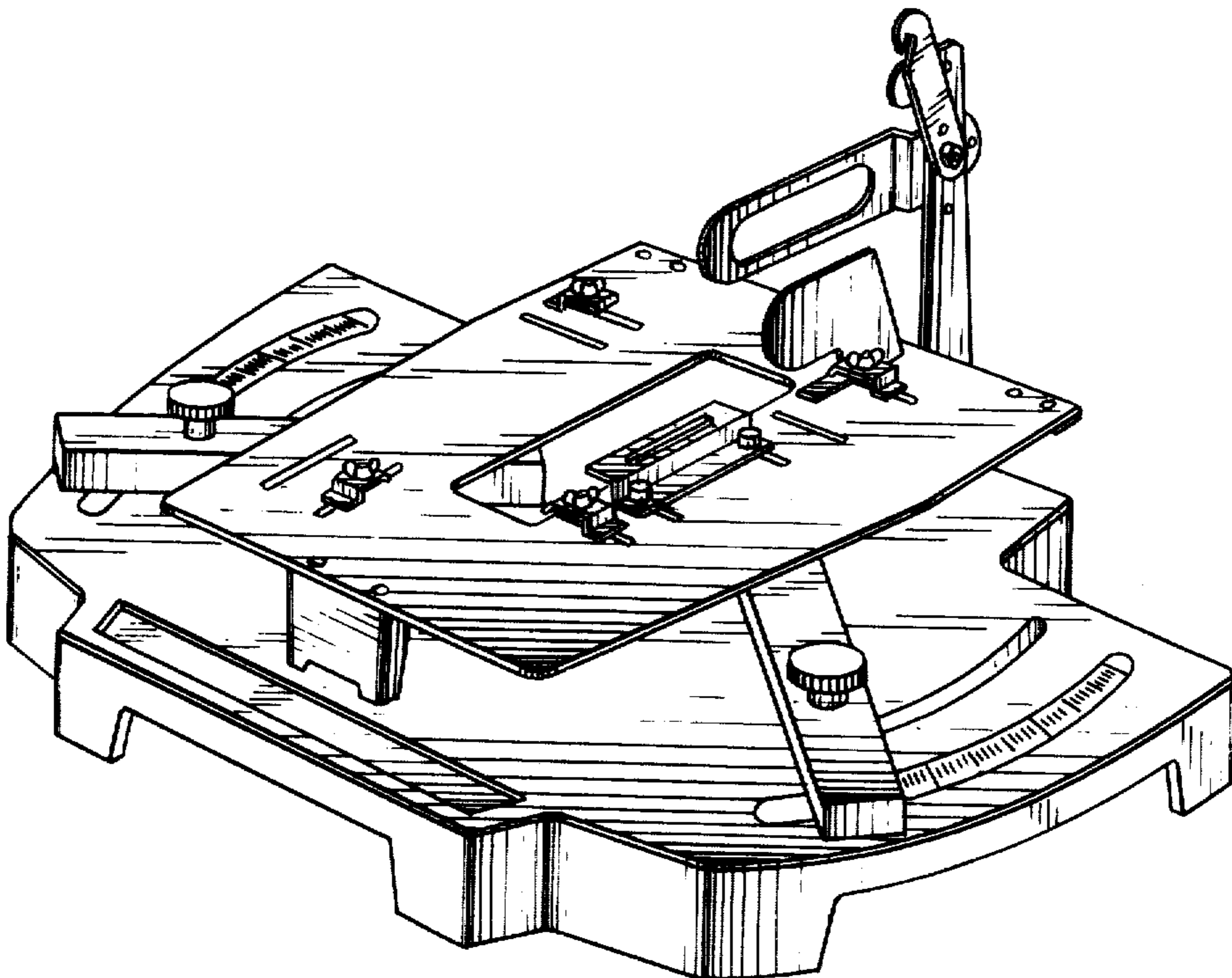
Primary Examiner—James M. Gandy
Attorney, Agent, or Firm—Dressler, Goldsmith, Shore, Sutker & Milnamow, Ltd.

[57] CLAIM

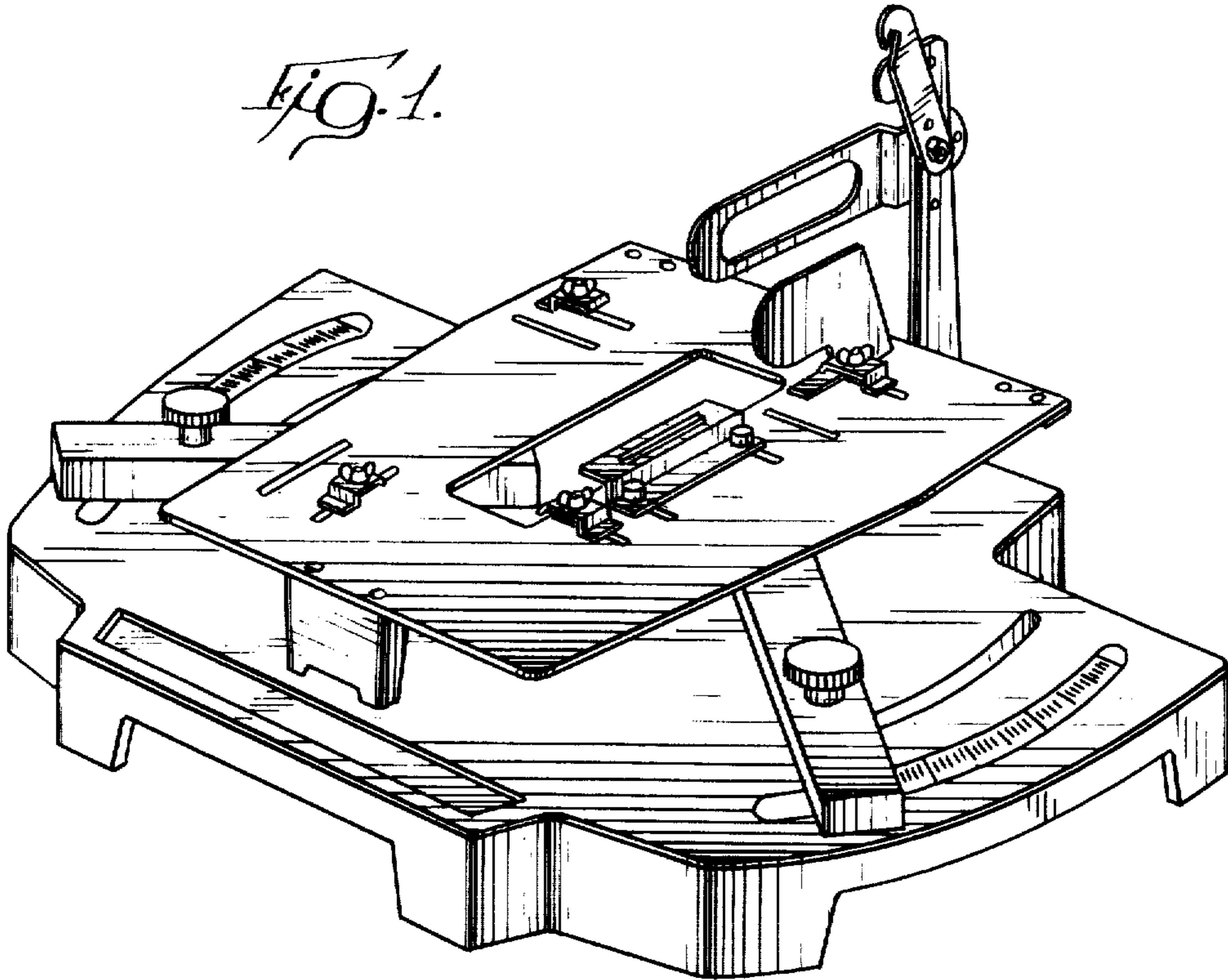
The ornamental design for a portable circular power saw support, substantially as shown and described.

DESCRIPTION

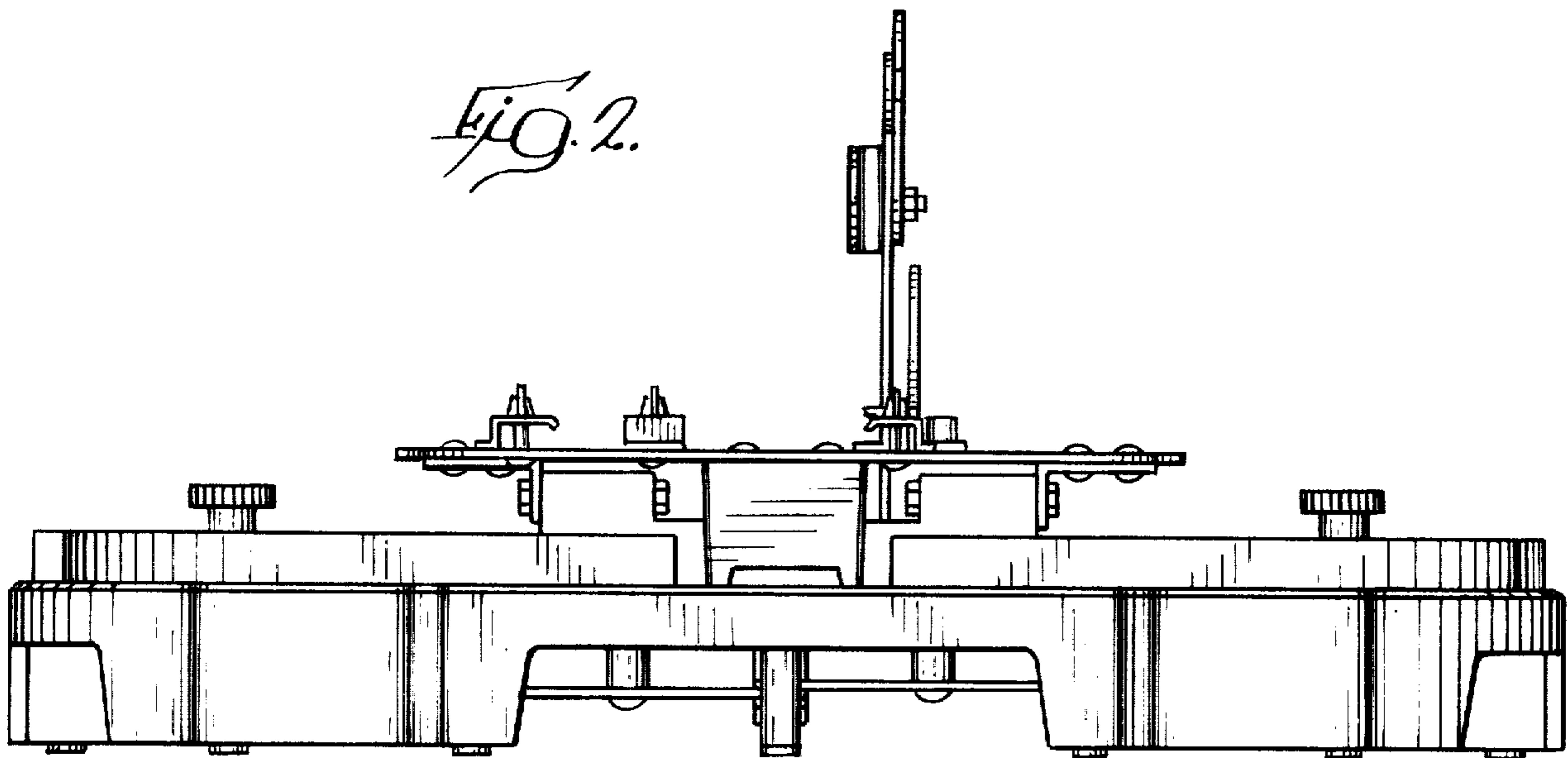
FIG. 1 is a perspective view of a portable circular power saw support showing our new design;
FIG. 2 is an enlarged front elevational view thereof;
FIG. 3 is an enlarged left side elevational view thereof;
FIG. 4 is an enlarged rear elevational view thereof;
FIG. 5 is an enlarged bottom plan view thereof;
FIG. 6 is a perspective view of a portable circular power saw support showing a second embodiment of our new design the sole difference being in the addition of the angle brackets as best shown in FIGS. 6, 8 and 9;
FIG. 7 is an enlarged front elevational view of FIG. 6;
FIG. 8 is an enlarged left side elevational view of FIG. 6;
FIG. 9 is an enlarged rear elevational view of FIG. 6;
and
FIG. 10 is an enlarged bottom plan view of FIG. 6.



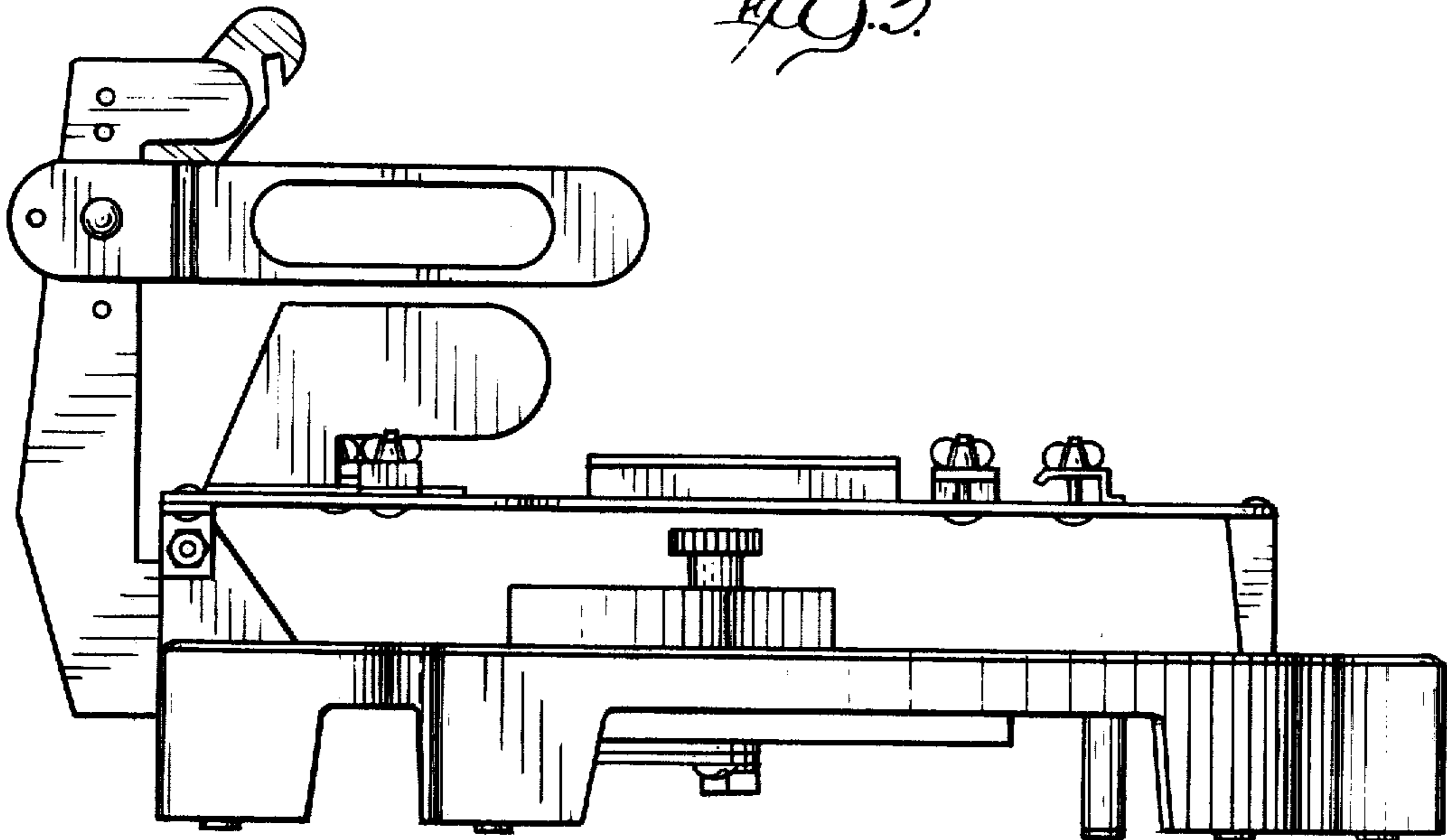
*Fig. 1.*



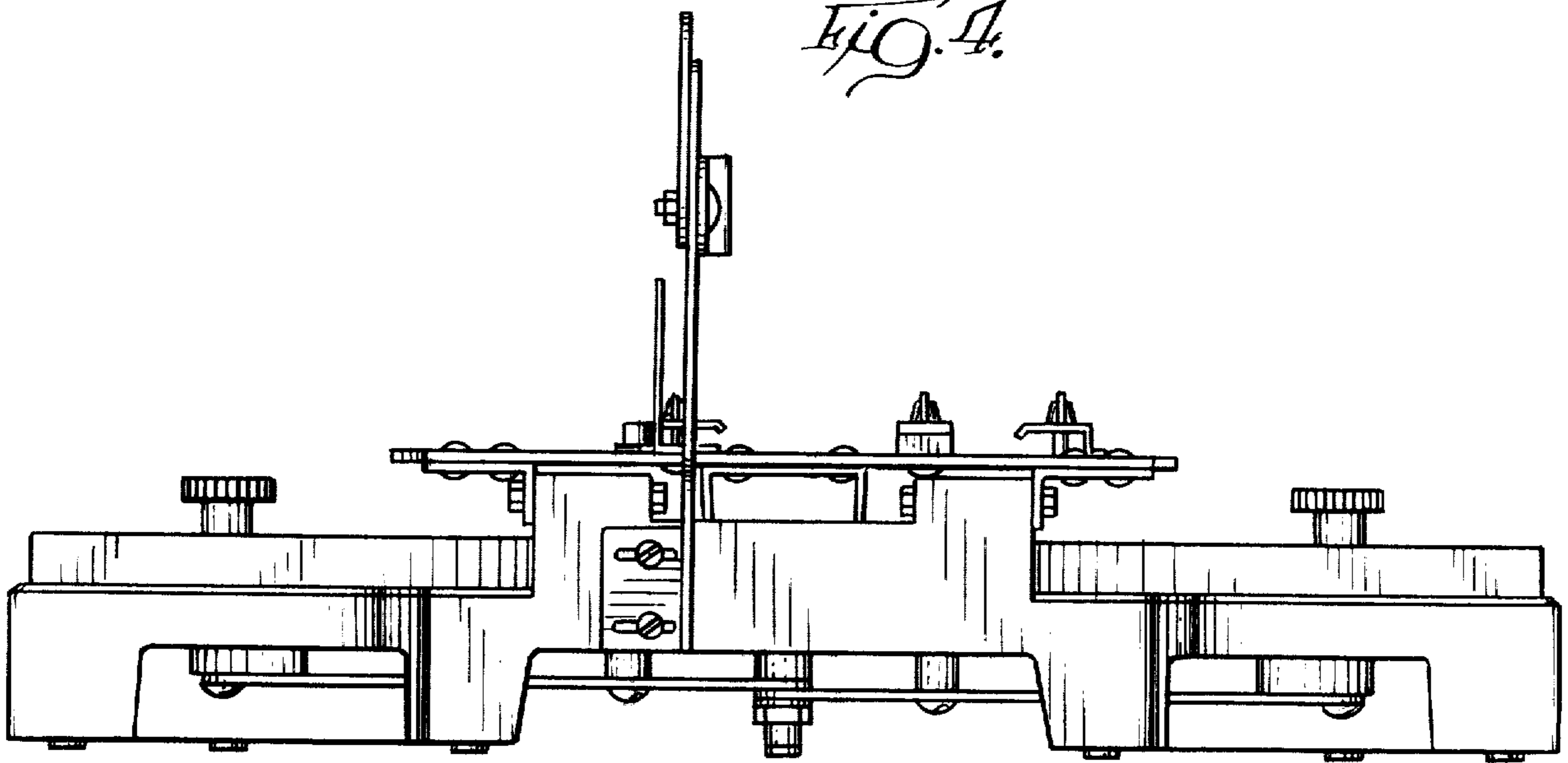
*Fig. 2.*



*FIG. 3.*



*FIG. 4.*





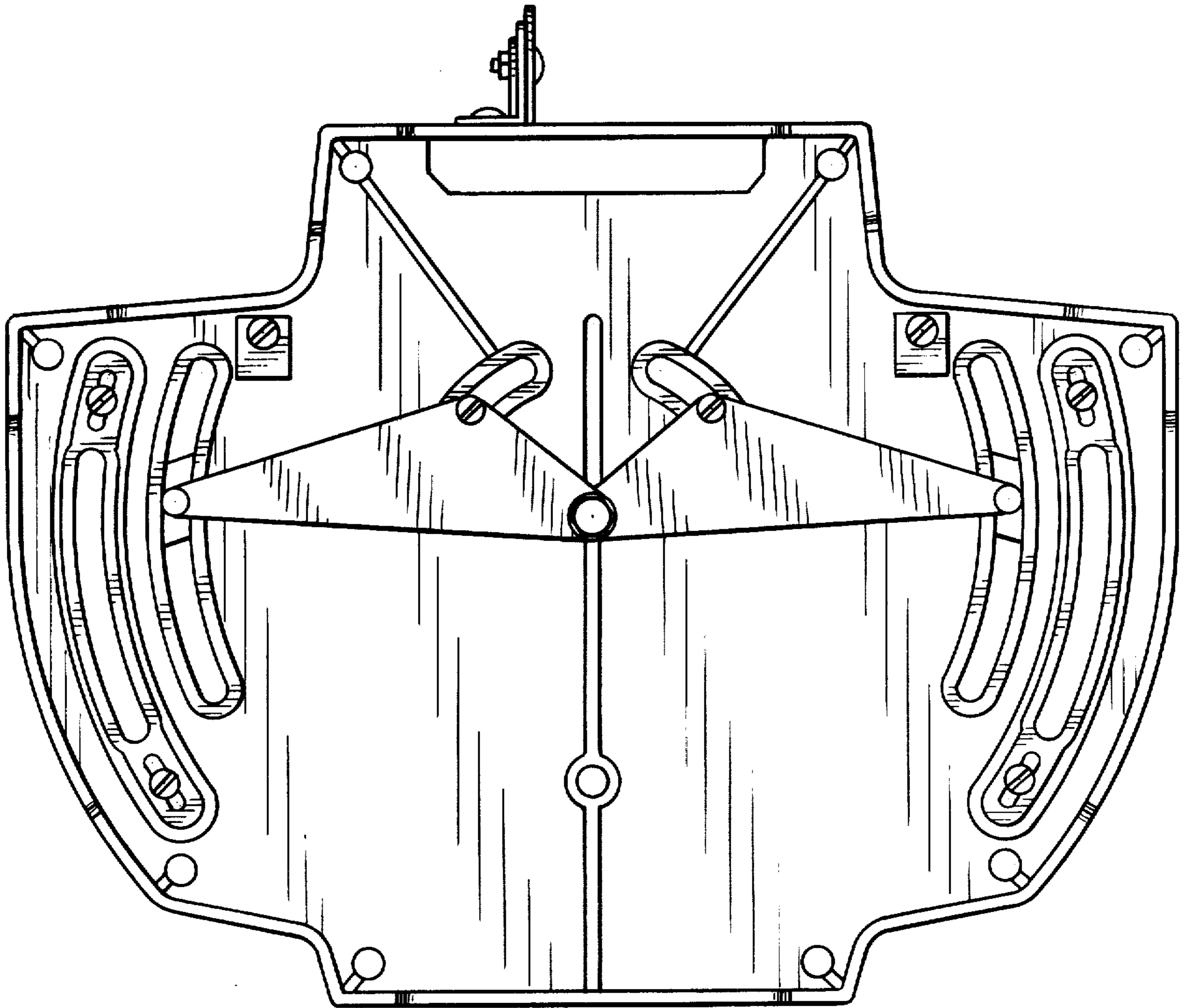
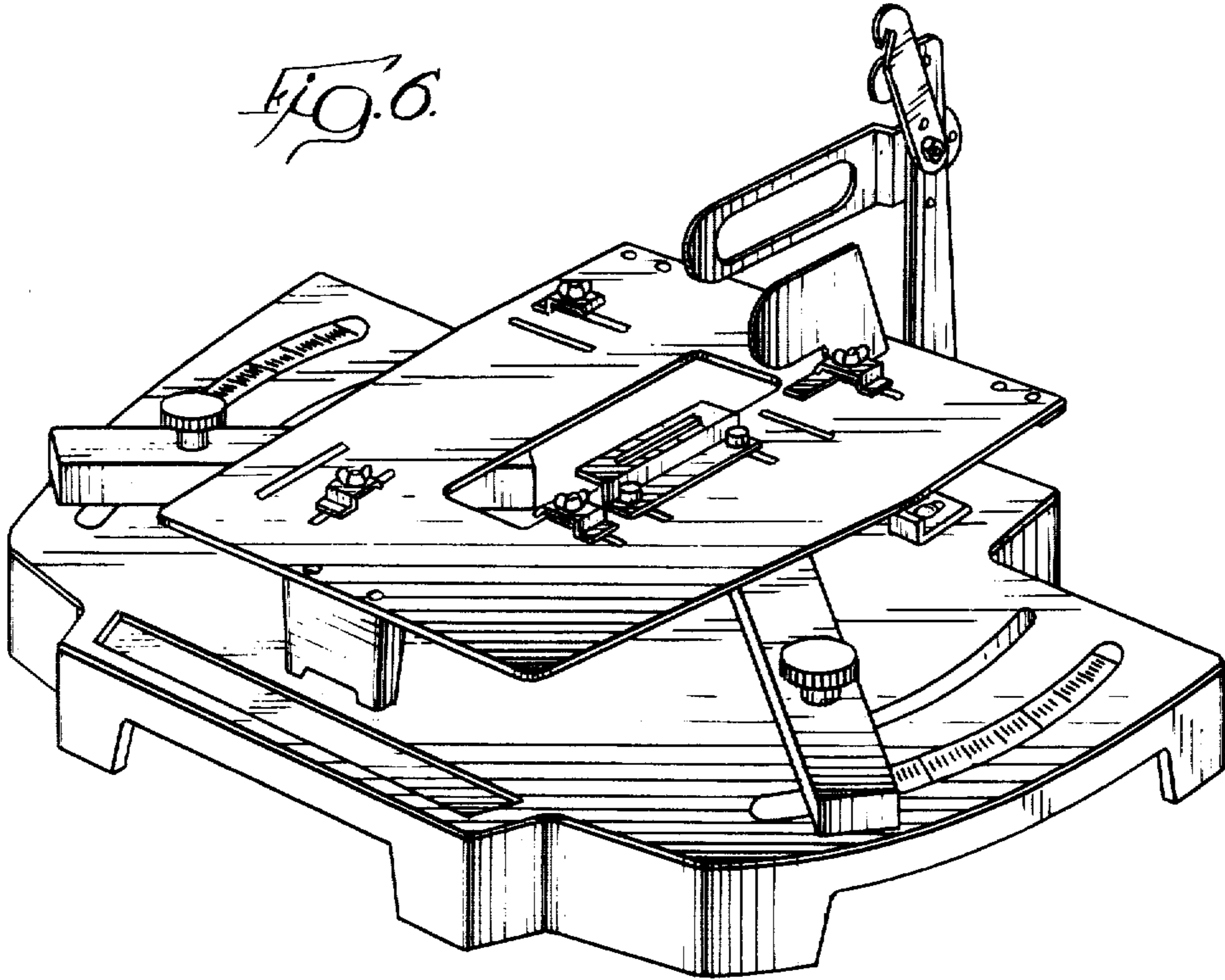
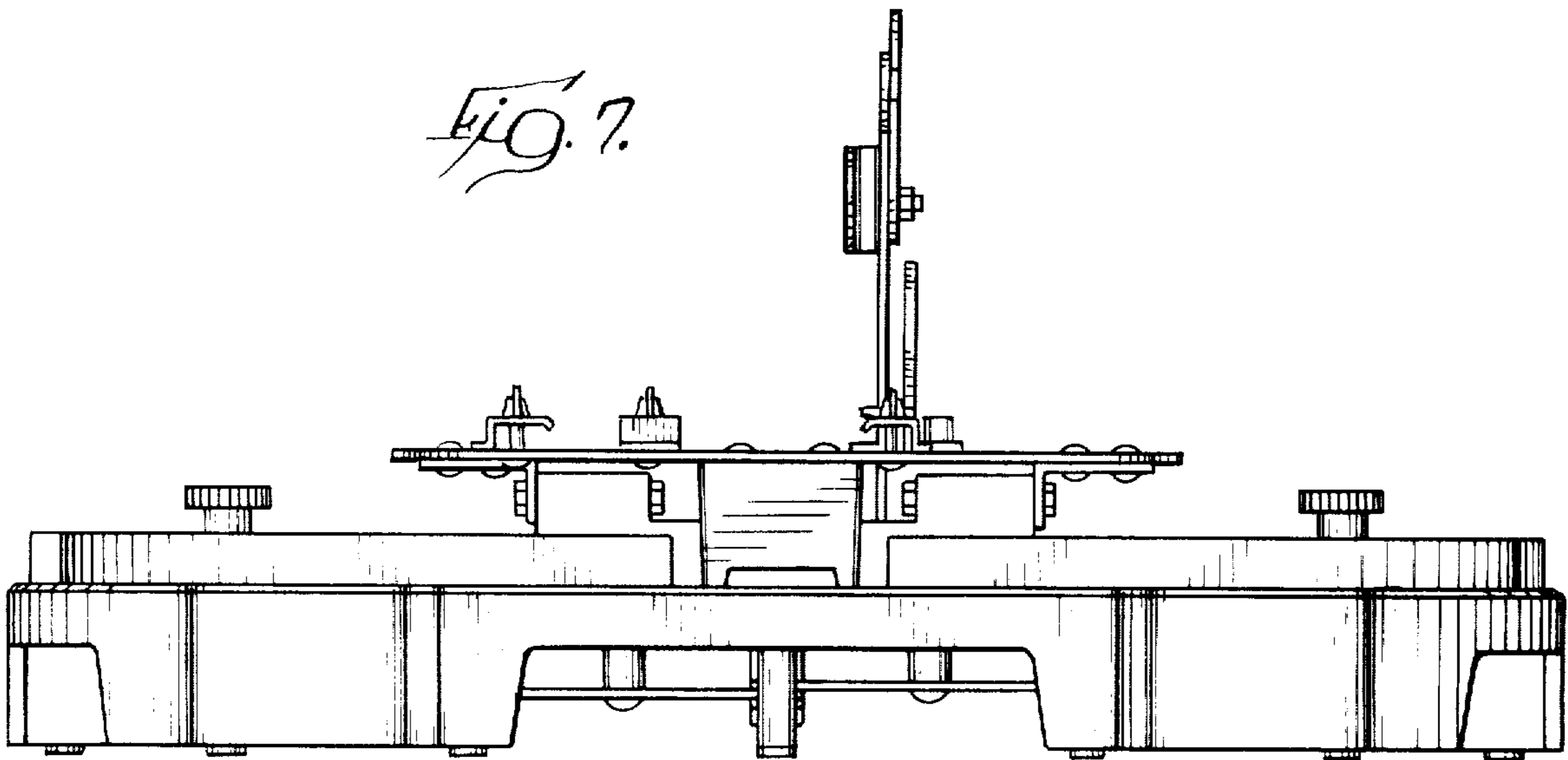


Fig. 5.

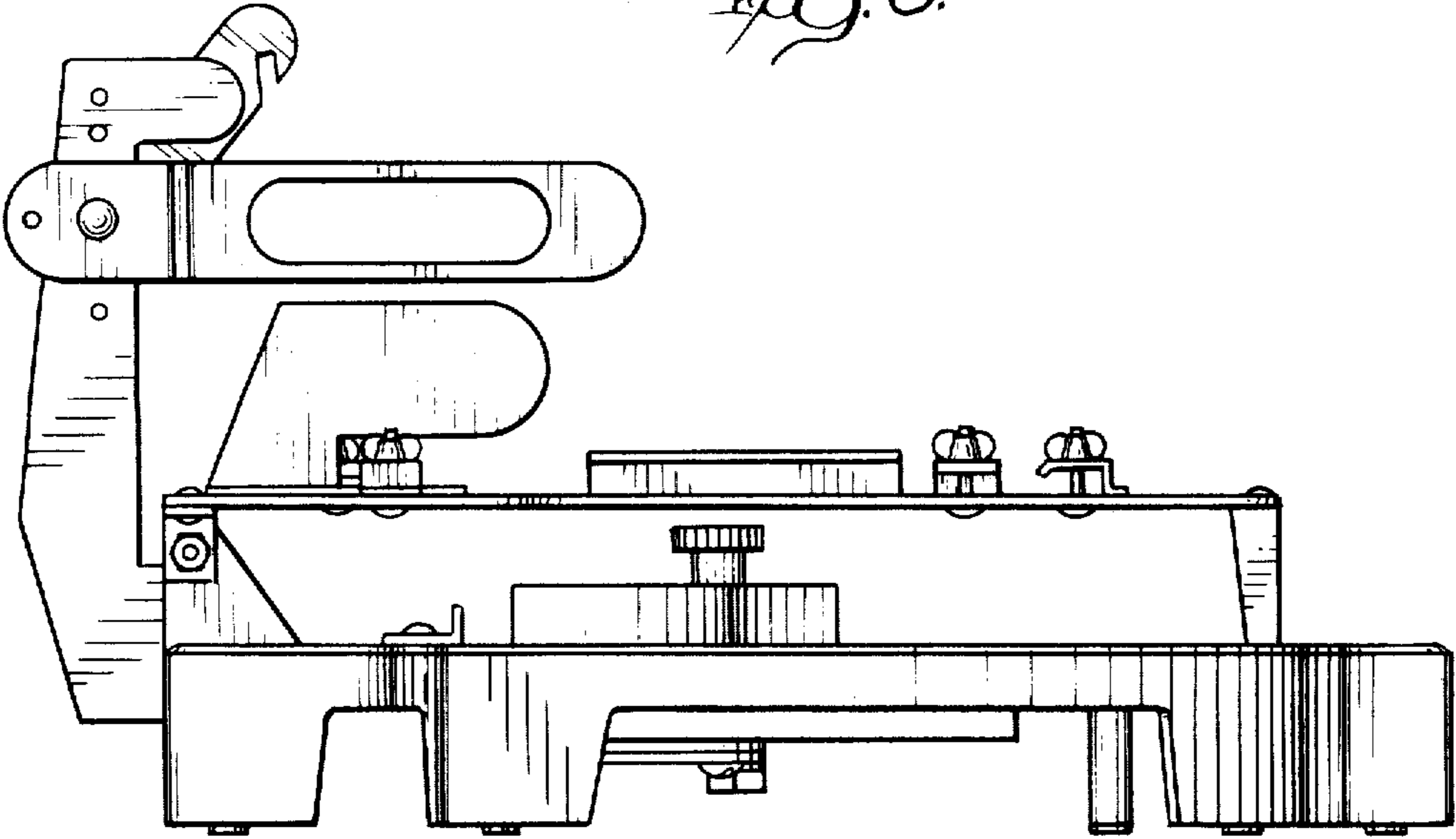
*Fig. 6.*



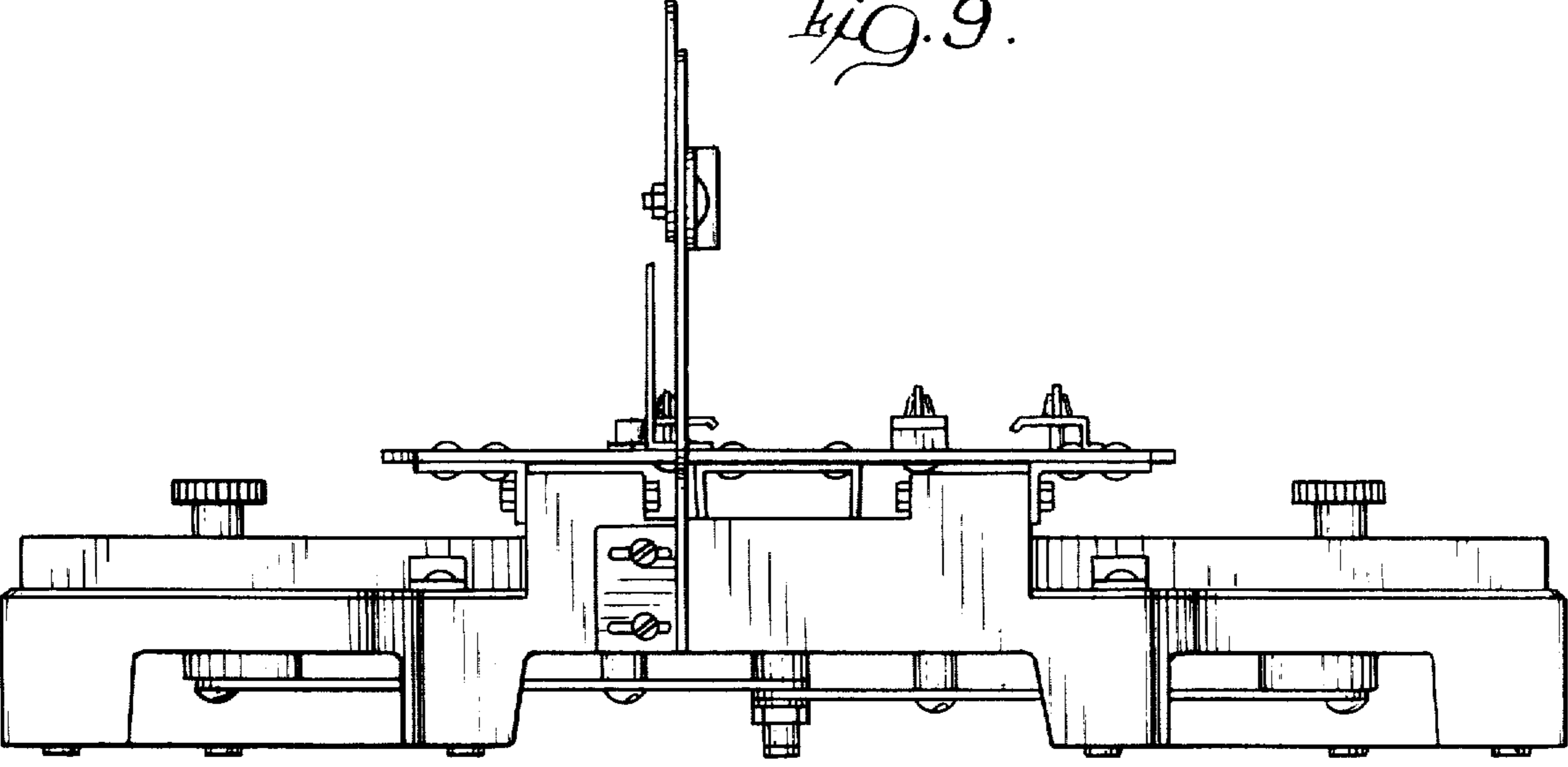
*Fig. 7.*



*Fig. 8.*



*Fig. 9.*



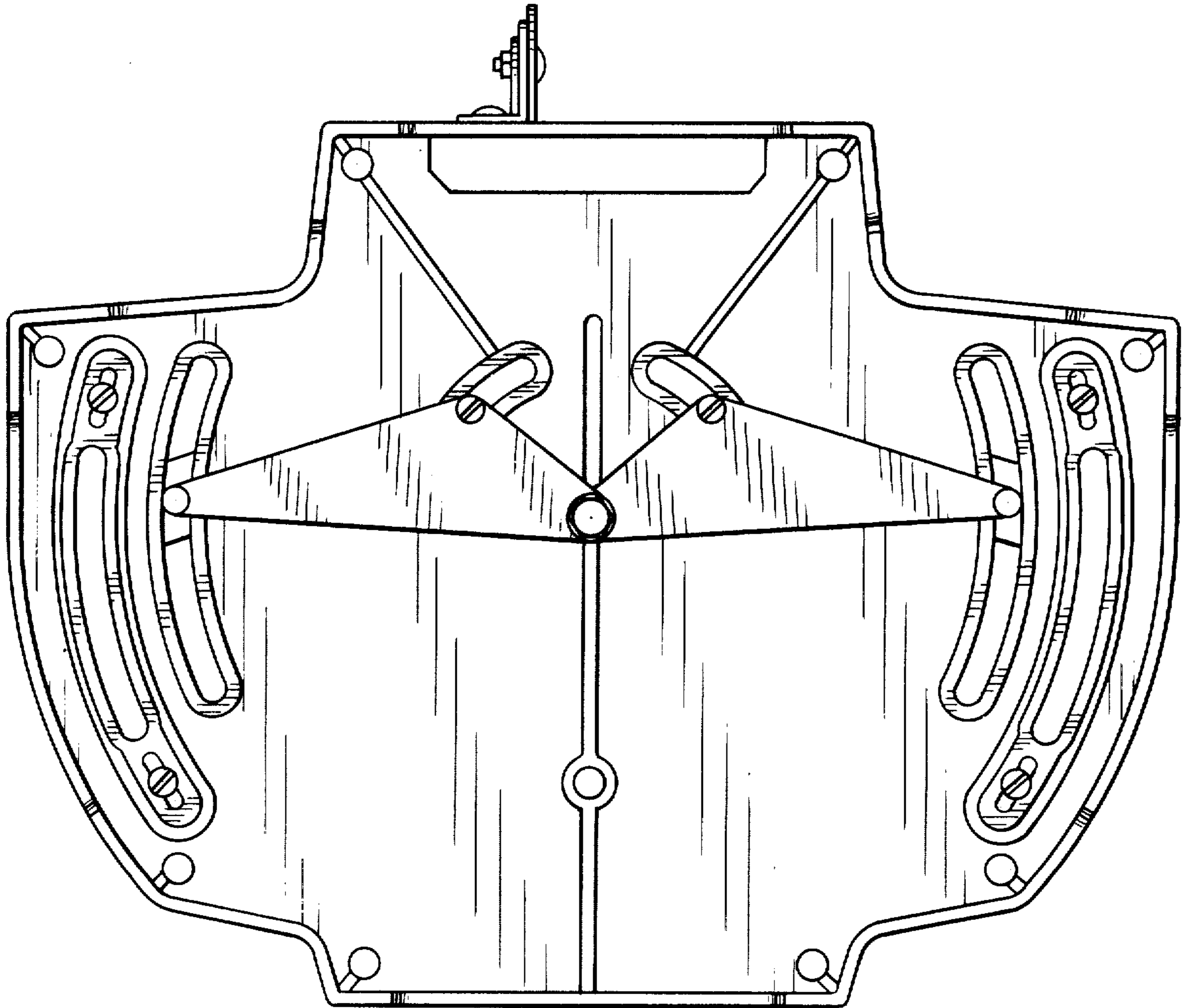


Fig. 10.