

[54] BEVERAGE FILTER HOLDER

[76] Inventor: Ian J. Bersten, 457 Penshurst St., East Roseville, 2069, New South Wales, Australia

[\*\*] Term: 14 Years

[21] Appl. No.: 961,899

[22] Filed: Nov. 20, 1978

[30] Foreign Application Priority Data

May 19, 1978 [AU] Australia ..... 74807

[51] Int. Cl. .... D07-04

[52] U.S. Cl. .... D7/400; D7/310; D7/309

[58] Field of Search ..... D7/68, 63, 129, 47; D23/4; D15/121, 113

[56] References Cited

U.S. PATENT DOCUMENTS

- D. 208,032 7/1967 Simpson, Jr. .... D7/63
- D. 229,530 12/1973 Simpson, Jr. .... D7/68 X
- D. 241,402 9/1976 Painter ..... D7/68
- D. 250,445 12/1978 Braun ..... D7/47
- 3,374,897 3/1968 Martin ..... D7/68 X
- 3,795,182 3/1975 Van Damme ..... D7/129 X

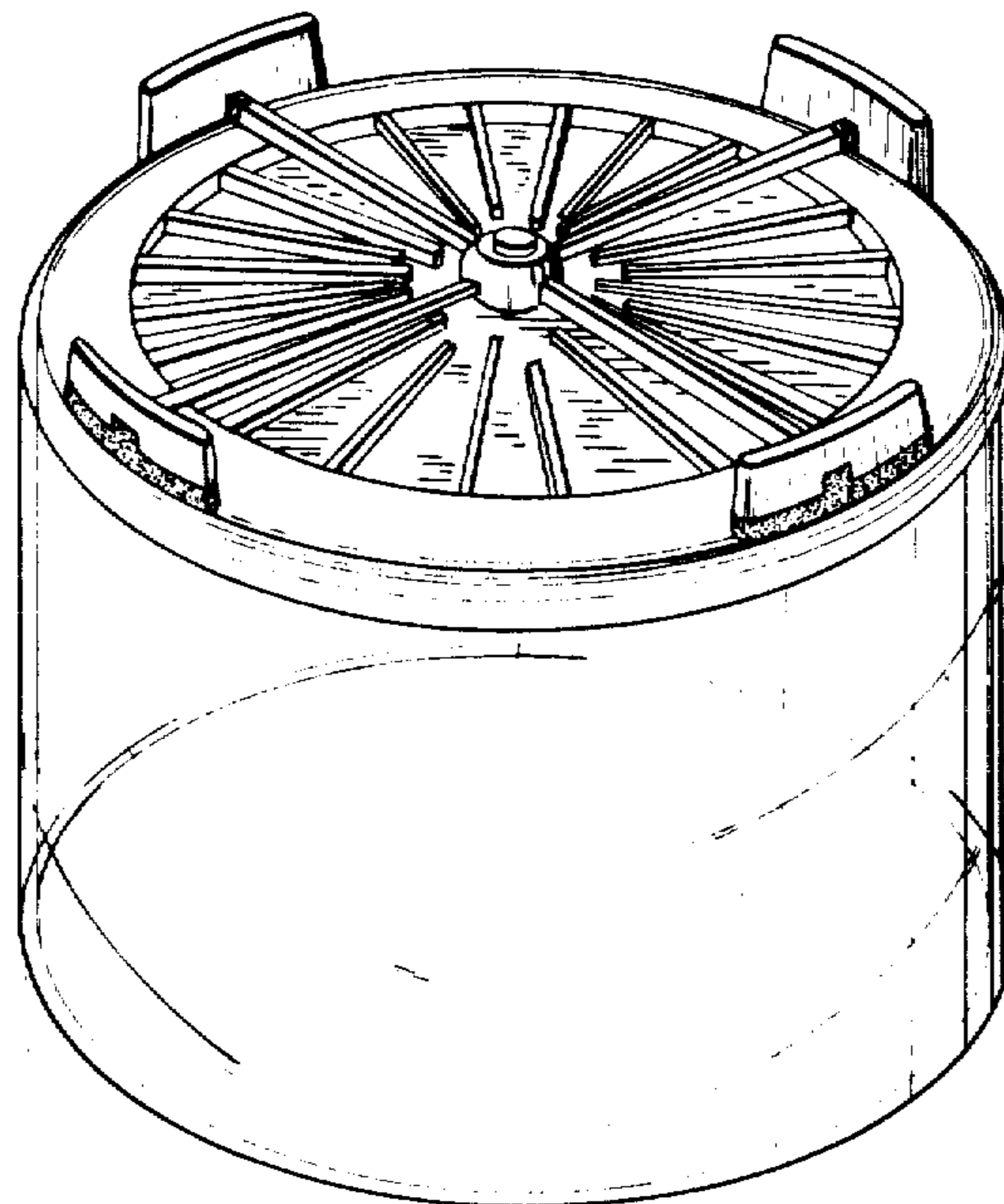
Primary Examiner—Winifred E. Herrmann  
Attorney, Agent, or Firm—Beveridge, DeGrandi & Kline

[57] CLAIM

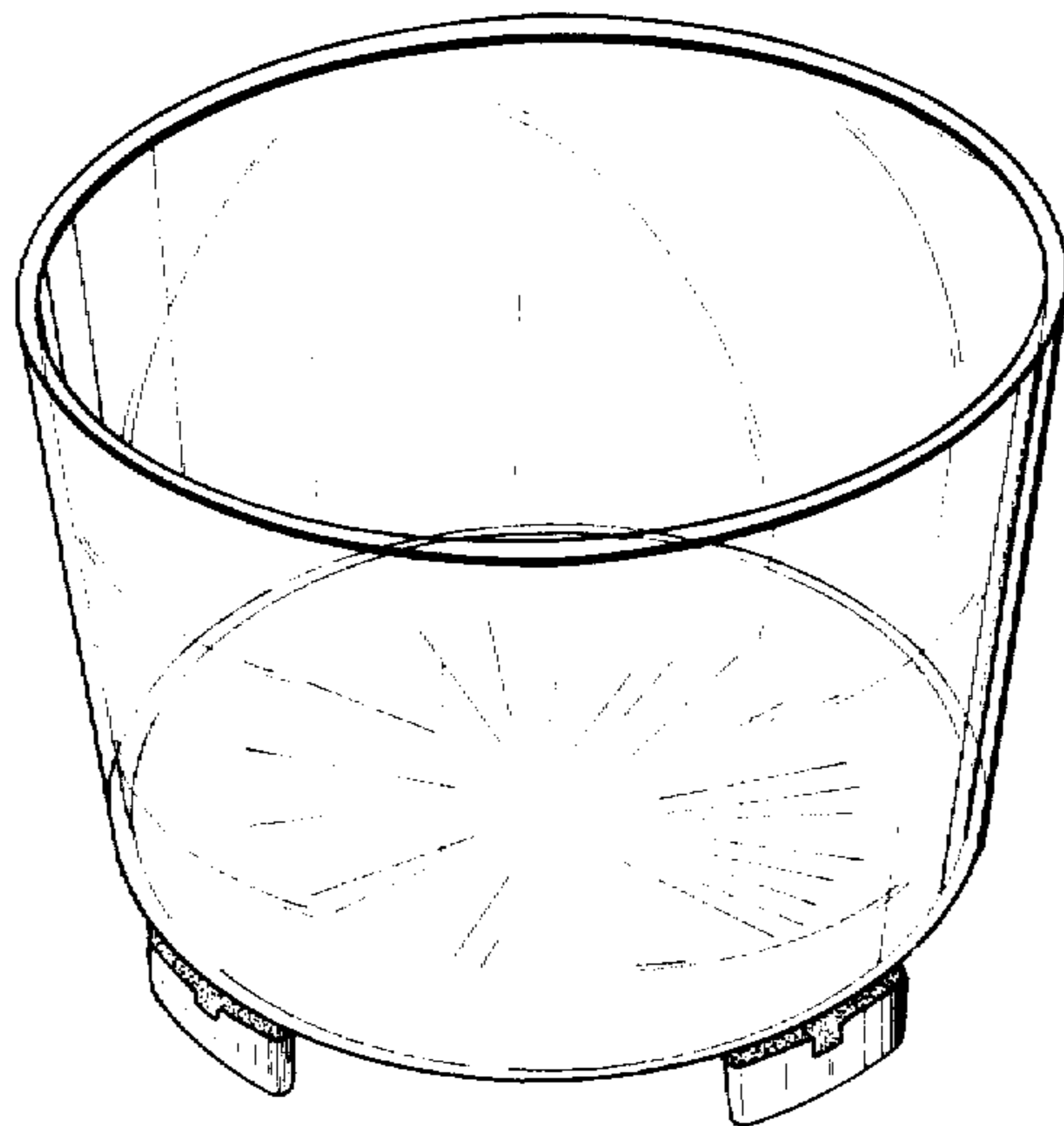
The ornamental design for a beverage filter holder, substantially as shown and described.

DESCRIPTION

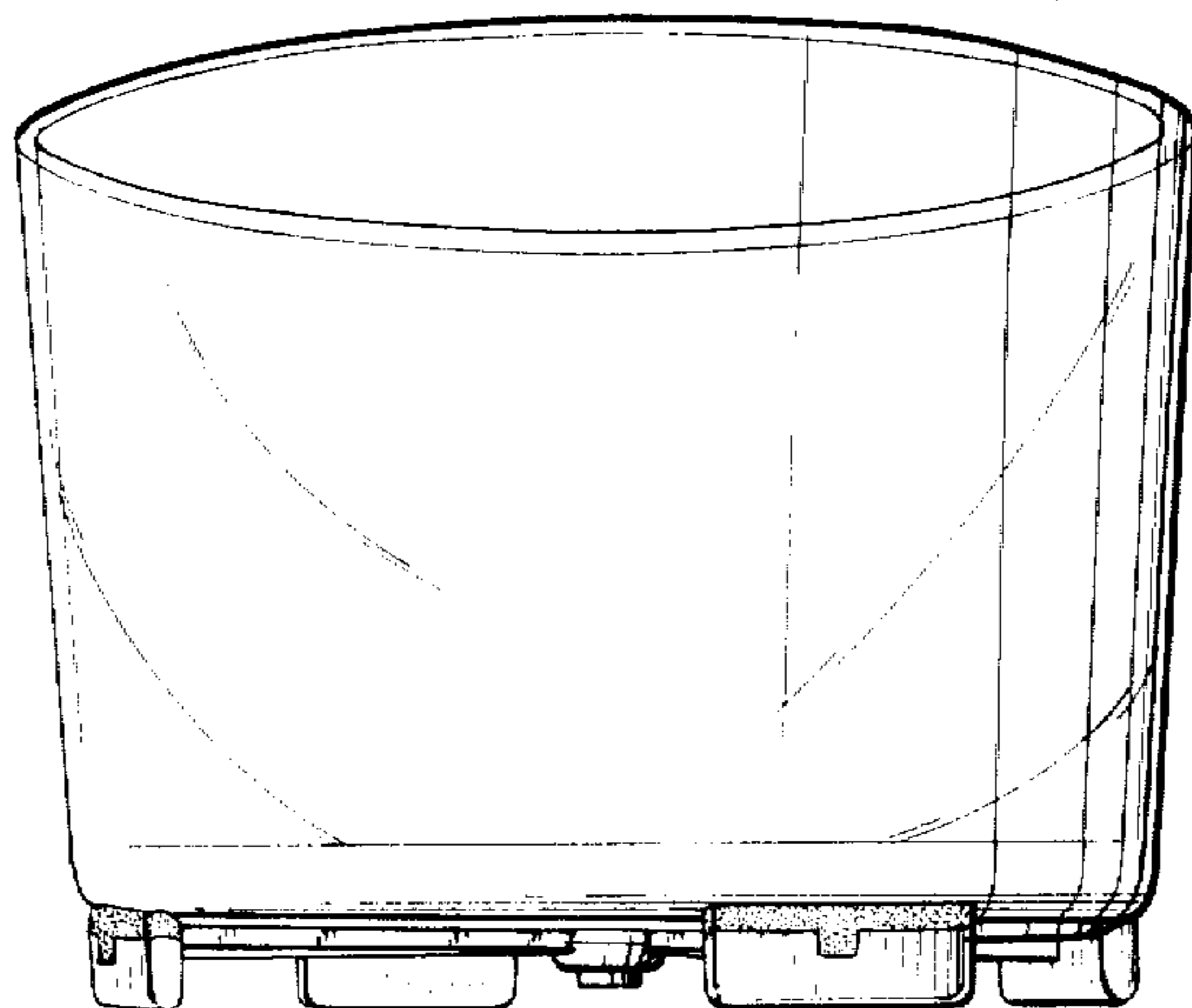
FIG. 1 is a top perspective view of a beverage filter holder showing my new design; FIG. 2 is a side perspective view thereof; and FIG. 3 is a bottom perspective view thereof.



**FIG 1**



**FIG 2**



**FIG 3**

