

[54] **NUT CRACKER**

[76] Inventor: **Virgil L. Earnest, R.R. #1,
Greenville, Ill. 62246**

[**] Term: **14 Years**

[21] Appl. No.: **196,445**

[22] Filed: **Oct. 14, 1980**

[51] Int. Cl. **D7-06**

[52] U.S. Cl. **D7/98**

[58] Field of Search **D15/140; D7/98, 41;
30/120.2, 120.3, 120.4, 120.5; 99/571, 572, 573,
581, 583**

1,061,470 5/1913 Gradick 99/583 X

1,318,182 10/1919 Schiemer D7/98 X

1,567,884 12/1925 Woldert 99/573

2,571,214 10/1951 Dale D7/98 X

3,065,778 11/1962 Harris D7/98 X

Primary Examiner—Winifred E. Herrmann
Attorney, Agent, or Firm—Cohn, Powell & Hind

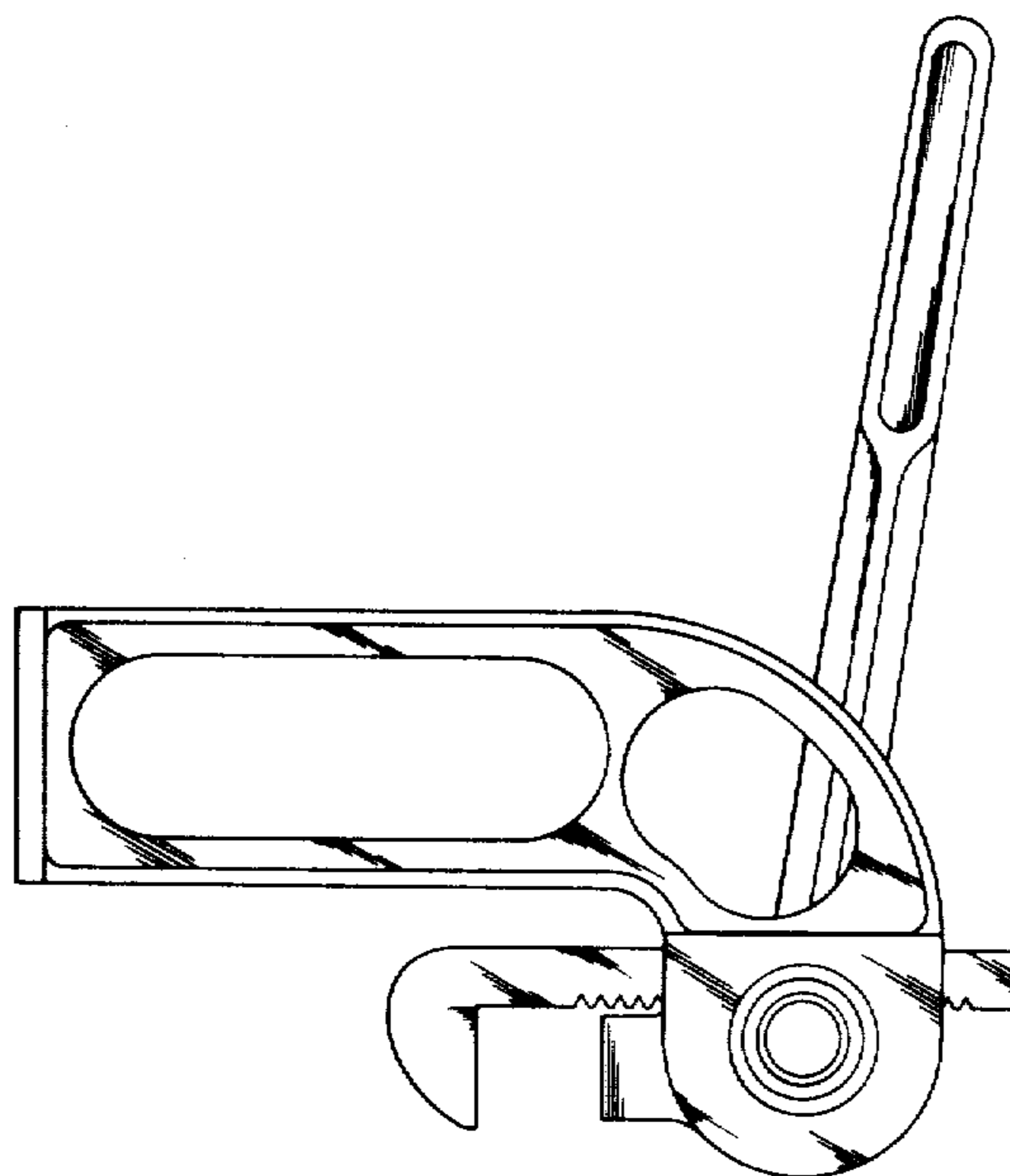
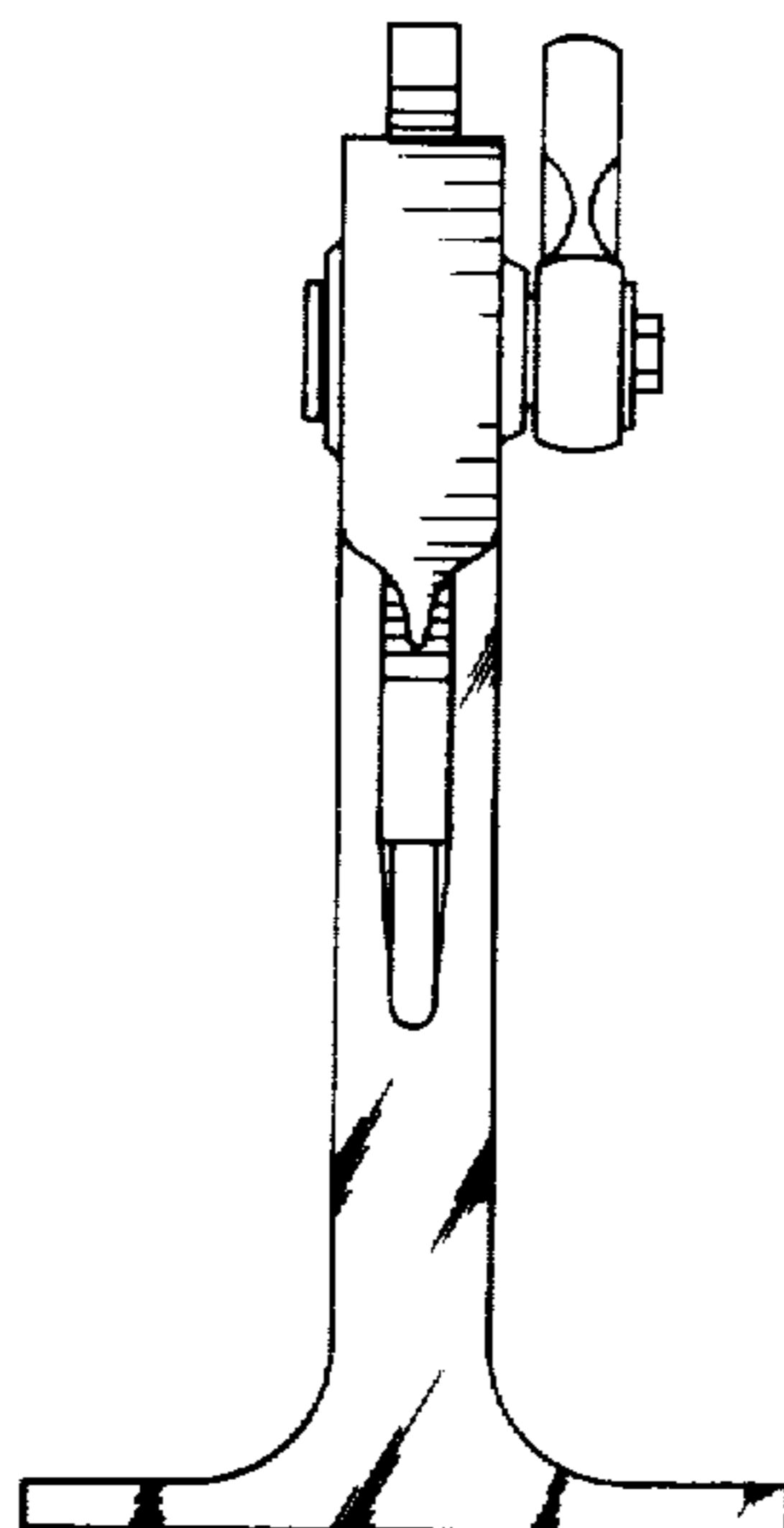
[57] **CLAIM**

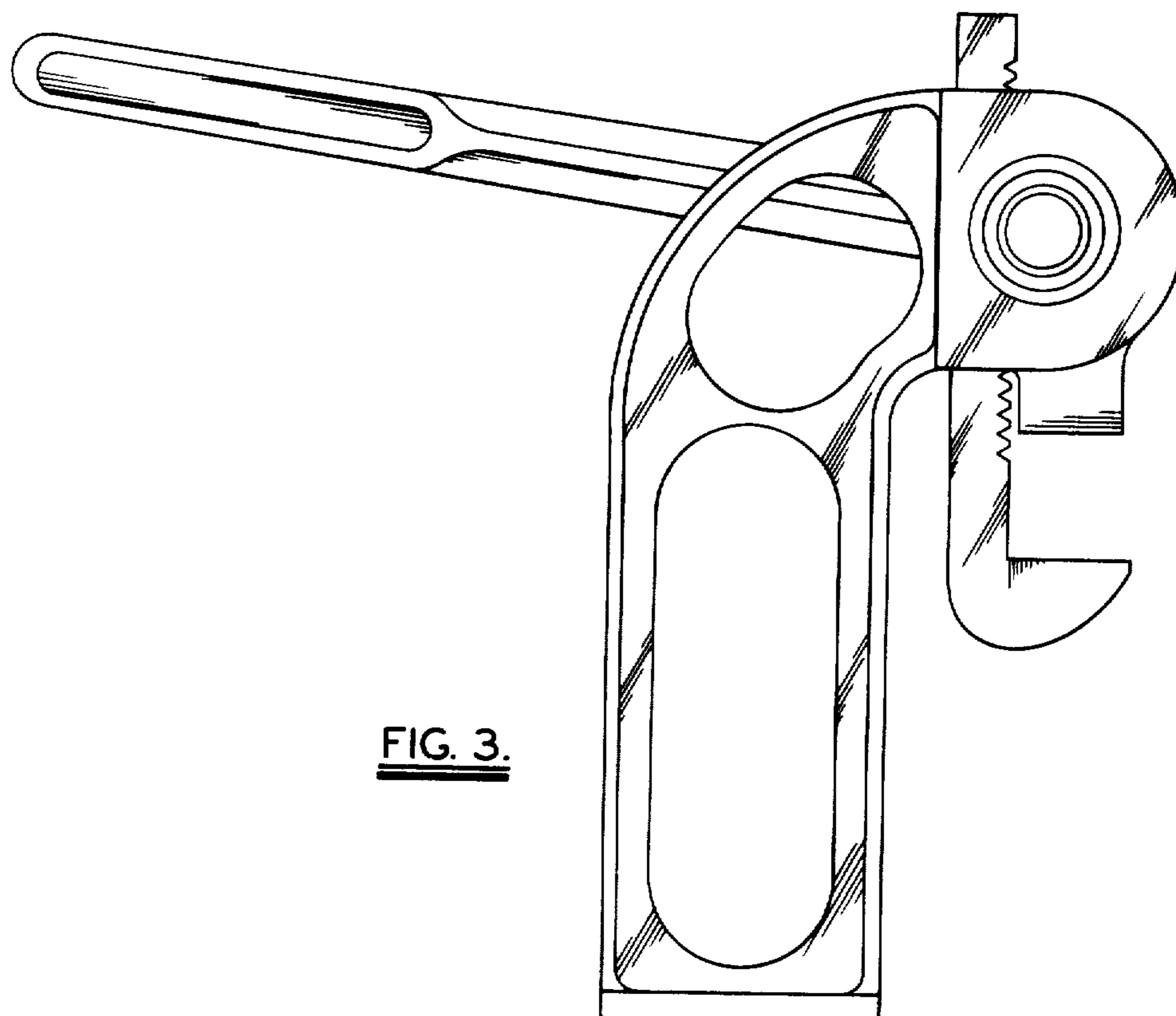
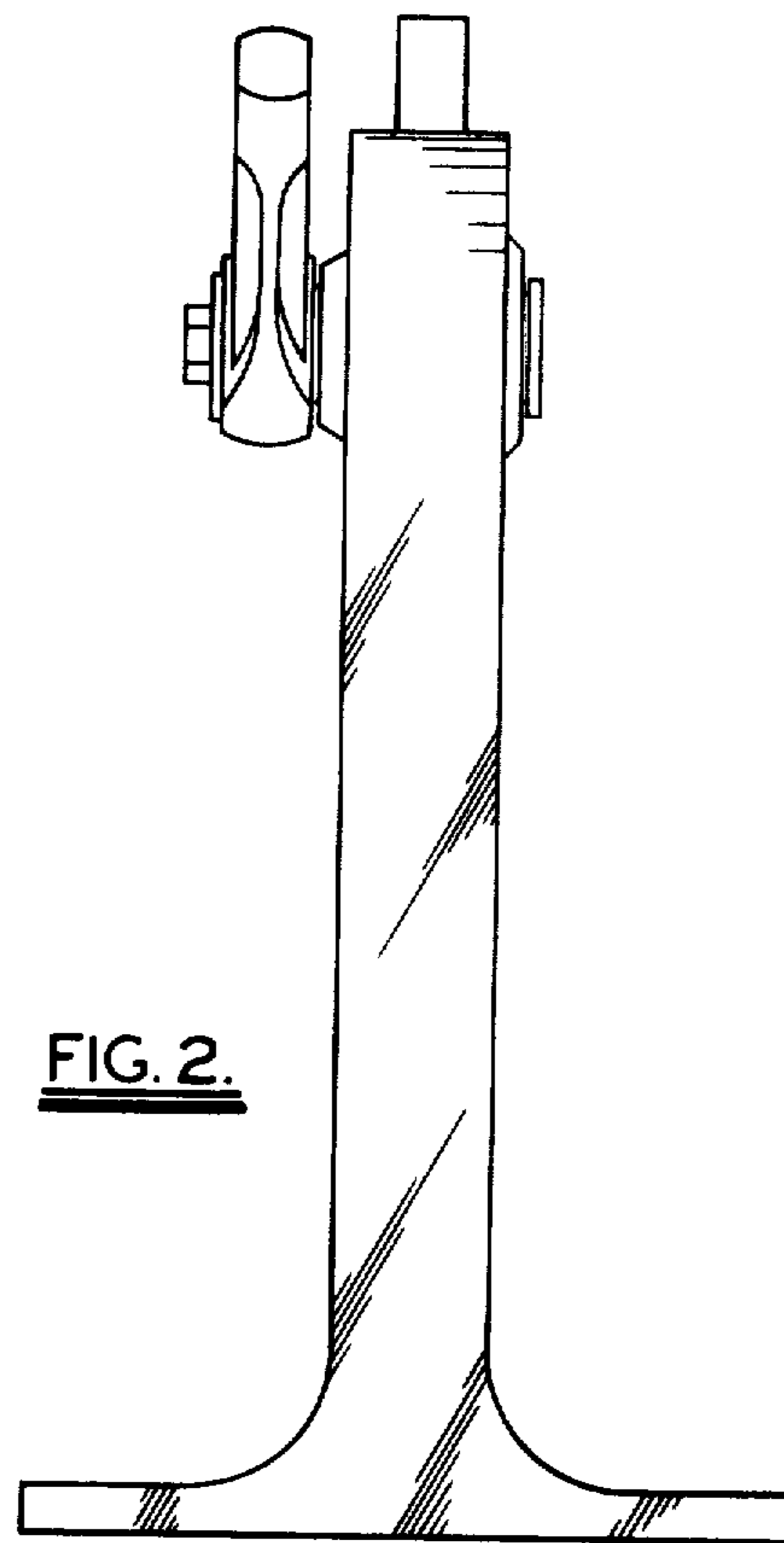
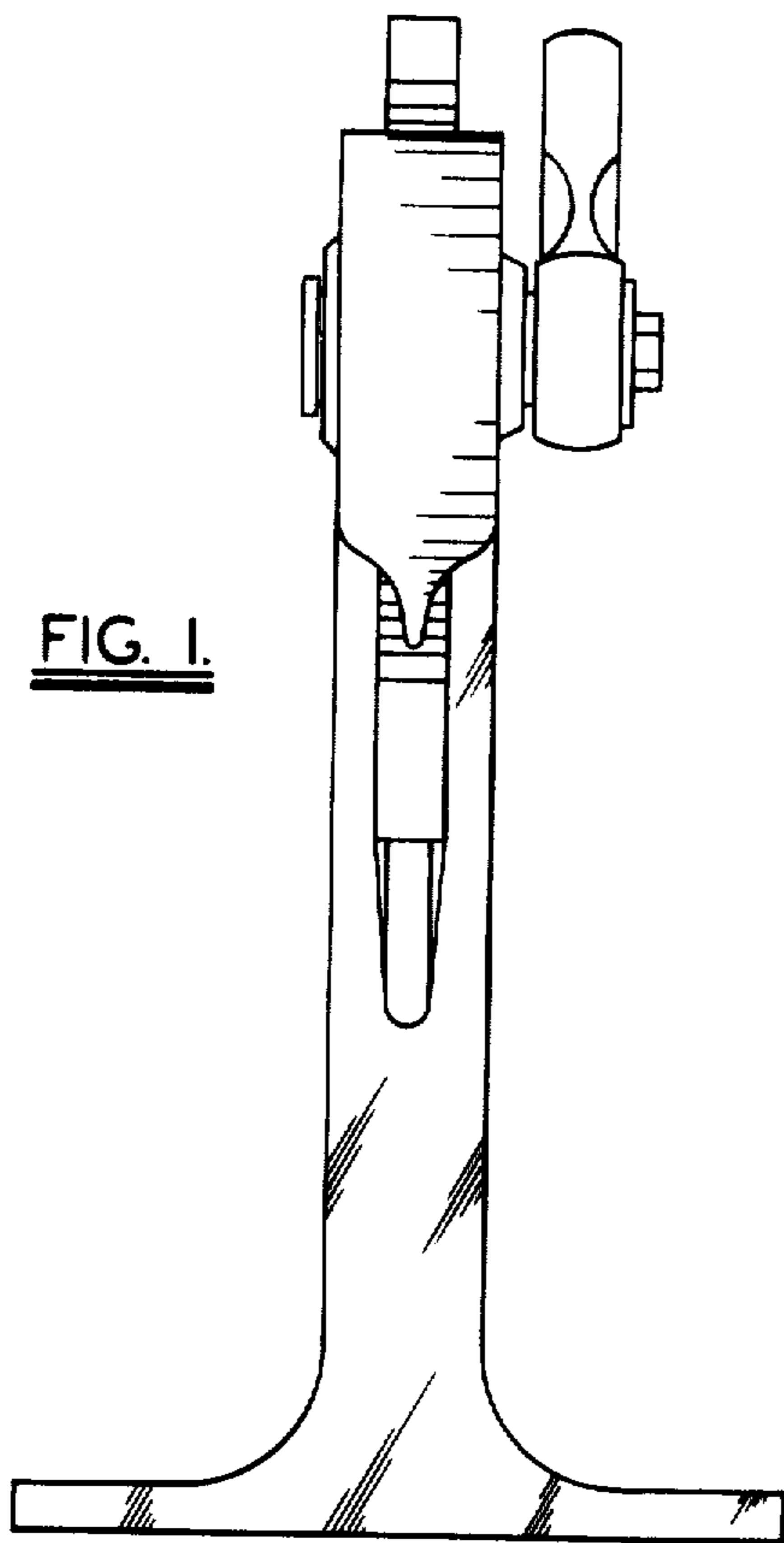
The ornamental design for a nut cracker, as shown.

DESCRIPTION

FIG. 1 is a front elevational view of a nut cracker showing my new design;
FIG. 2 is a rear elevational view thereof;
FIG. 3 is a side elevational view thereof;
FIG. 4 is an elevational view of the opposite side, and
FIG. 5 is a top plan view thereof.

[56] **References Cited**
U.S. PATENT DOCUMENTS
D. 221,977 9/1971 Pike D7/98





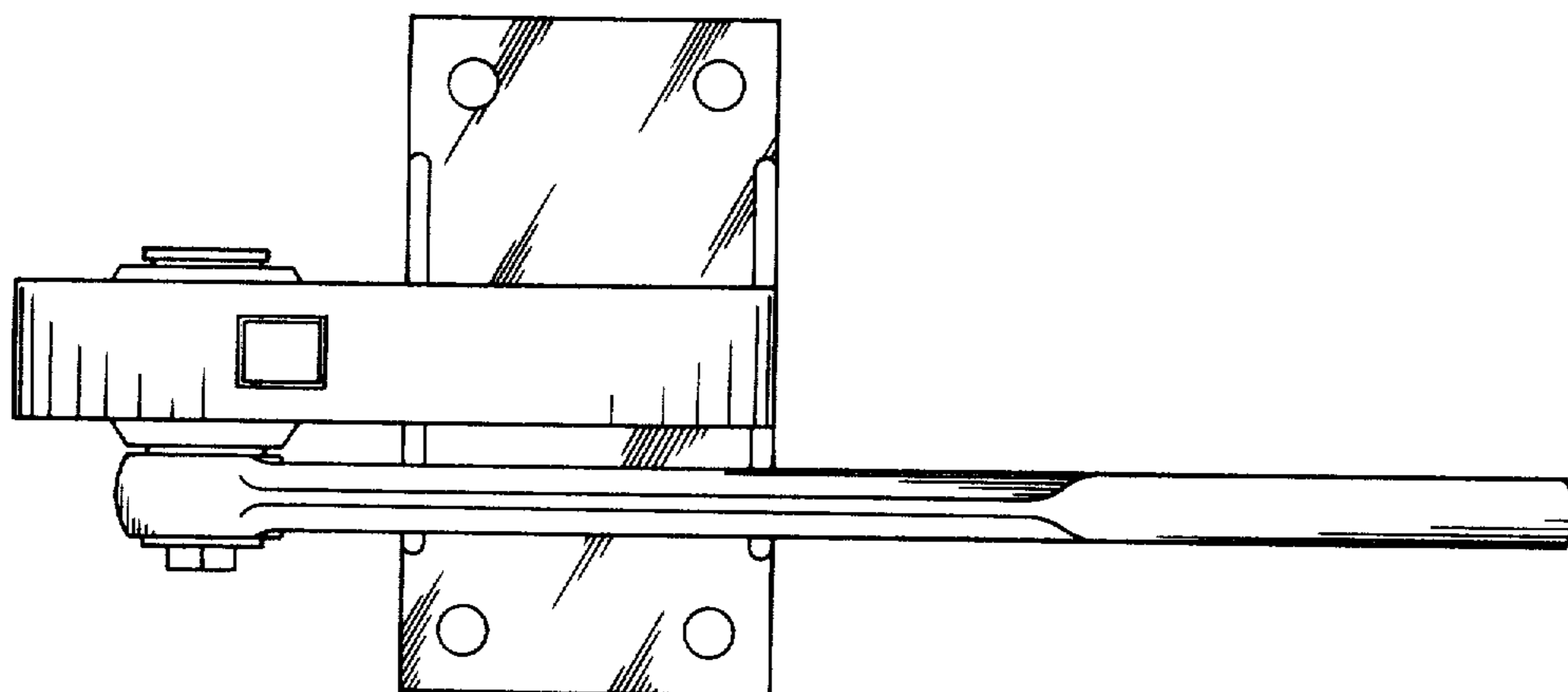


FIG. 5.

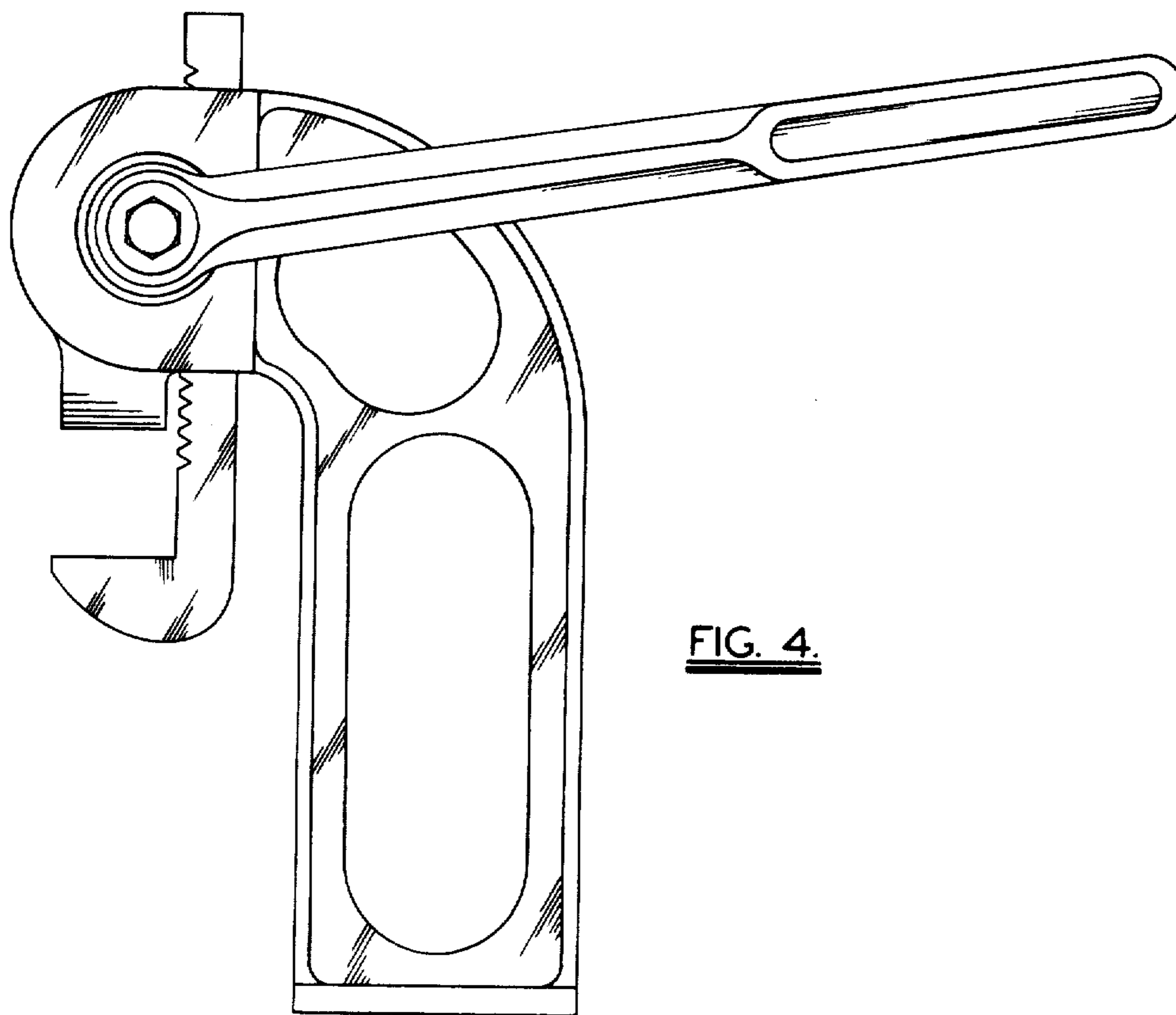


FIG. 4.