

[54] **BACON COOKER**

[76] Inventor: **Margie M. Ford**, 1881 6th Ave.,  
Olivehurst, Calif. 95961

[\*\*] Term: **14 Years**

[21] Appl. No.: **56,134**

[22] Filed: **Jul. 9, 1979**

[51] Int. Cl. .... **D7-02**

[52] U.S. Cl. .... **D7/359; D7/409**

[58] Field of Search ..... D7/129, 130, 85, 95,  
D7/96, 87, 41; 99/450, 446, 400, 385, 349,  
DIG. 14

2,216,457 10/1940 Salisbury ..... 99/450 X  
3,908,535 9/1975 Gordon ..... 99/426  
4,064,797 12/1977 Forlani ..... D7/85 X

*Primary Examiner*—Louis S. Zarfes  
*Attorney, Agent, or Firm*—Blair, Brown & Kreten

[57] **CLAIM**

The ornamental design for a bacon cooker, substantially as shown and described.

**DESCRIPTION**

FIG. 1 is a perspective front view of a bacon cooker, showing my new design;  
FIG. 2 is an end elevational view thereof opposite that shown in FIG. 1;  
FIG. 3 is a top plan view thereof;  
FIG. 4 is a side elevational view thereof opposite that shown in FIG. 1; and  
FIG. 5 is a bottom plan thereof.

[56] **References Cited**

**U.S. PATENT DOCUMENTS**

2,085,306 6/1937 Fishel ..... 99/349  
2,200,335 5/1940 Ingersoll ..... 99/349

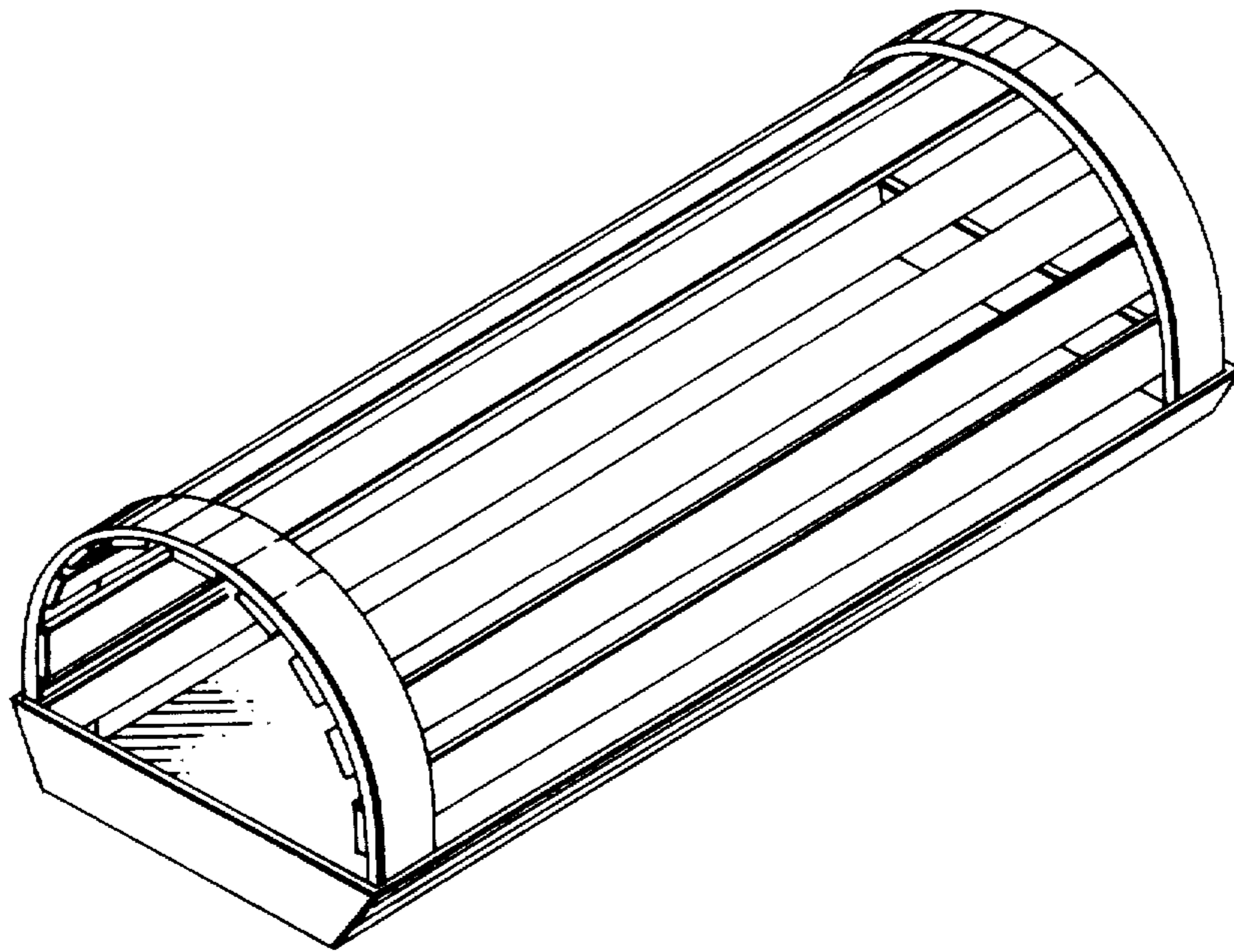


FIG 1

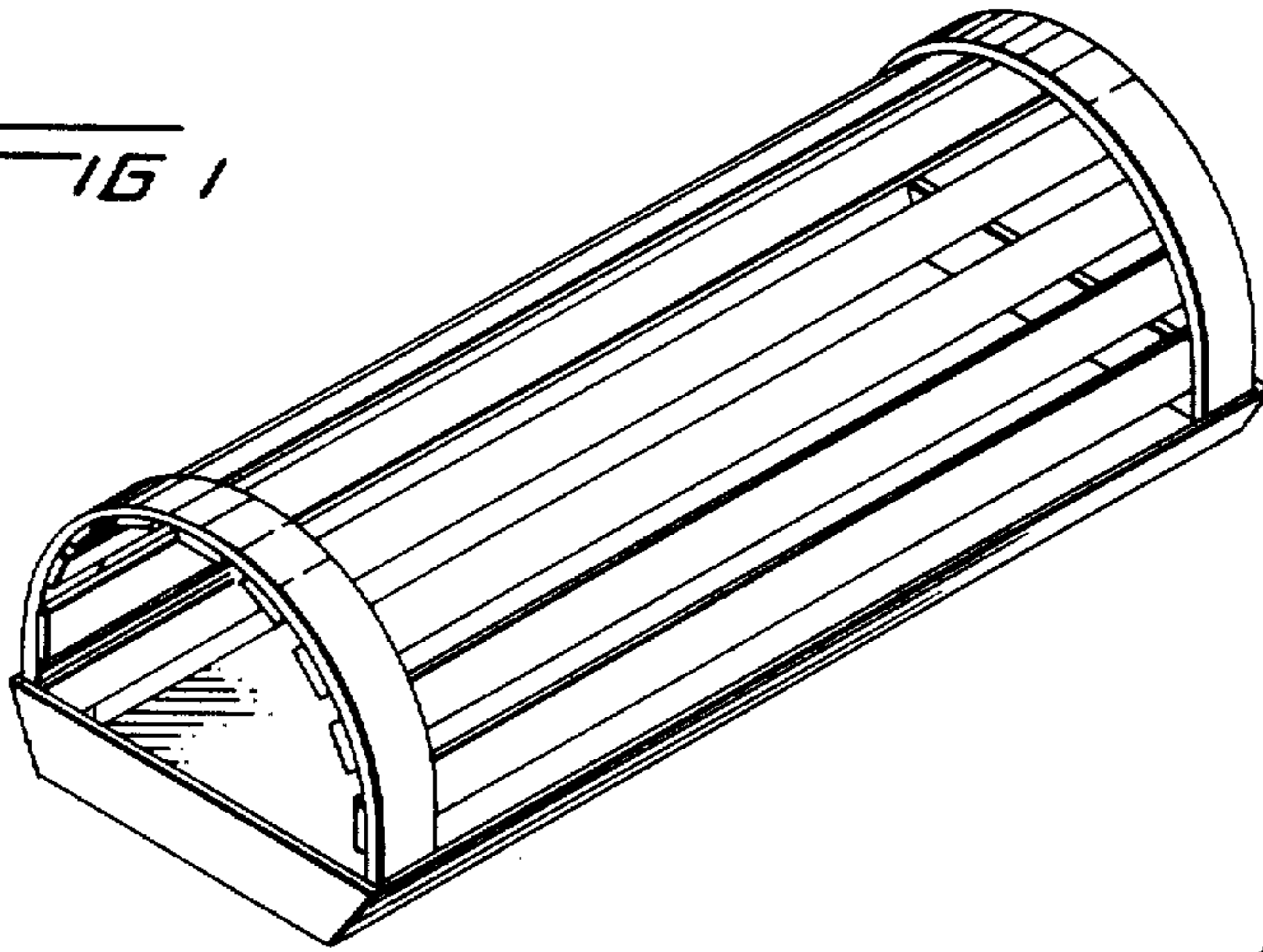


FIG 5

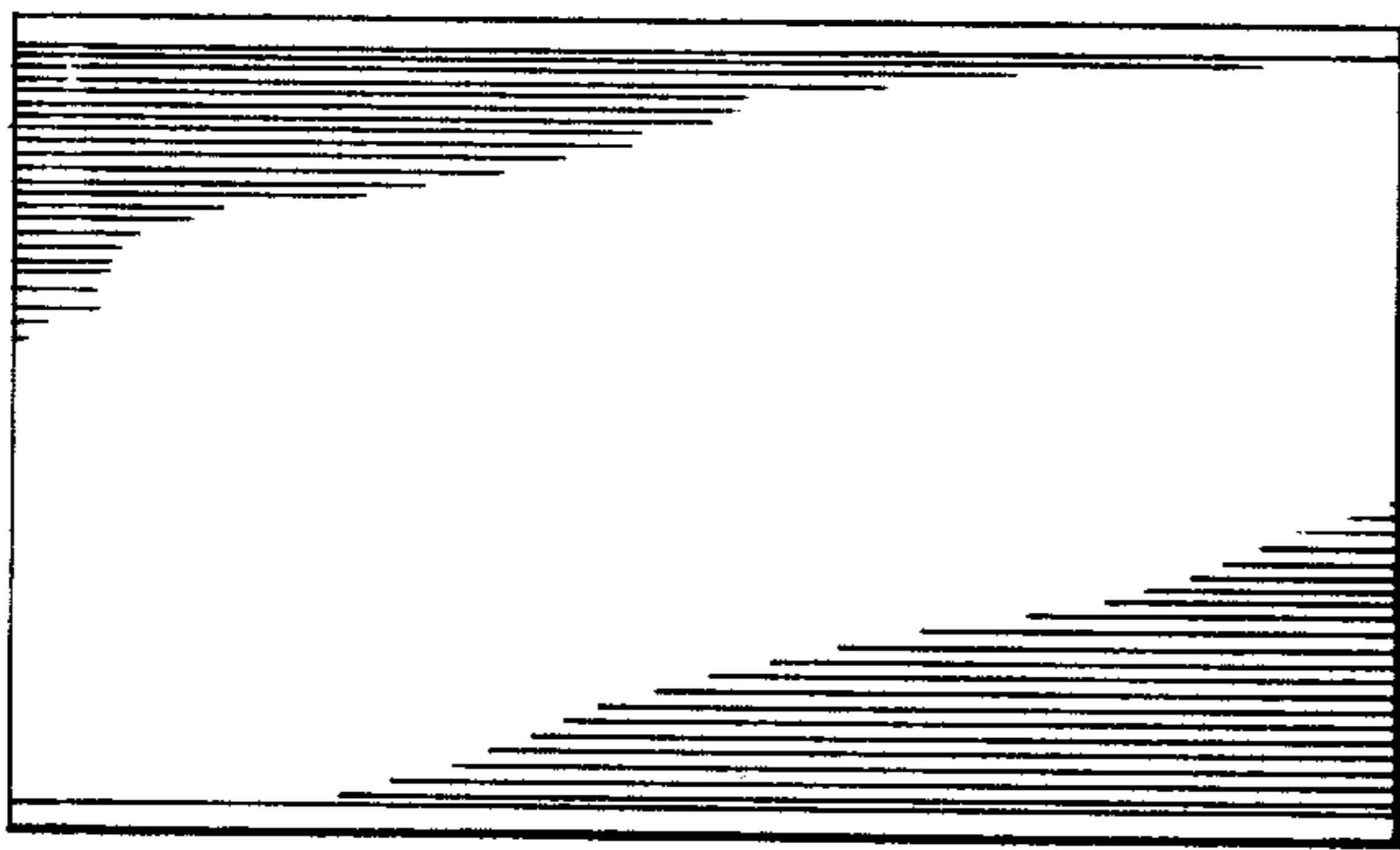


FIG 3

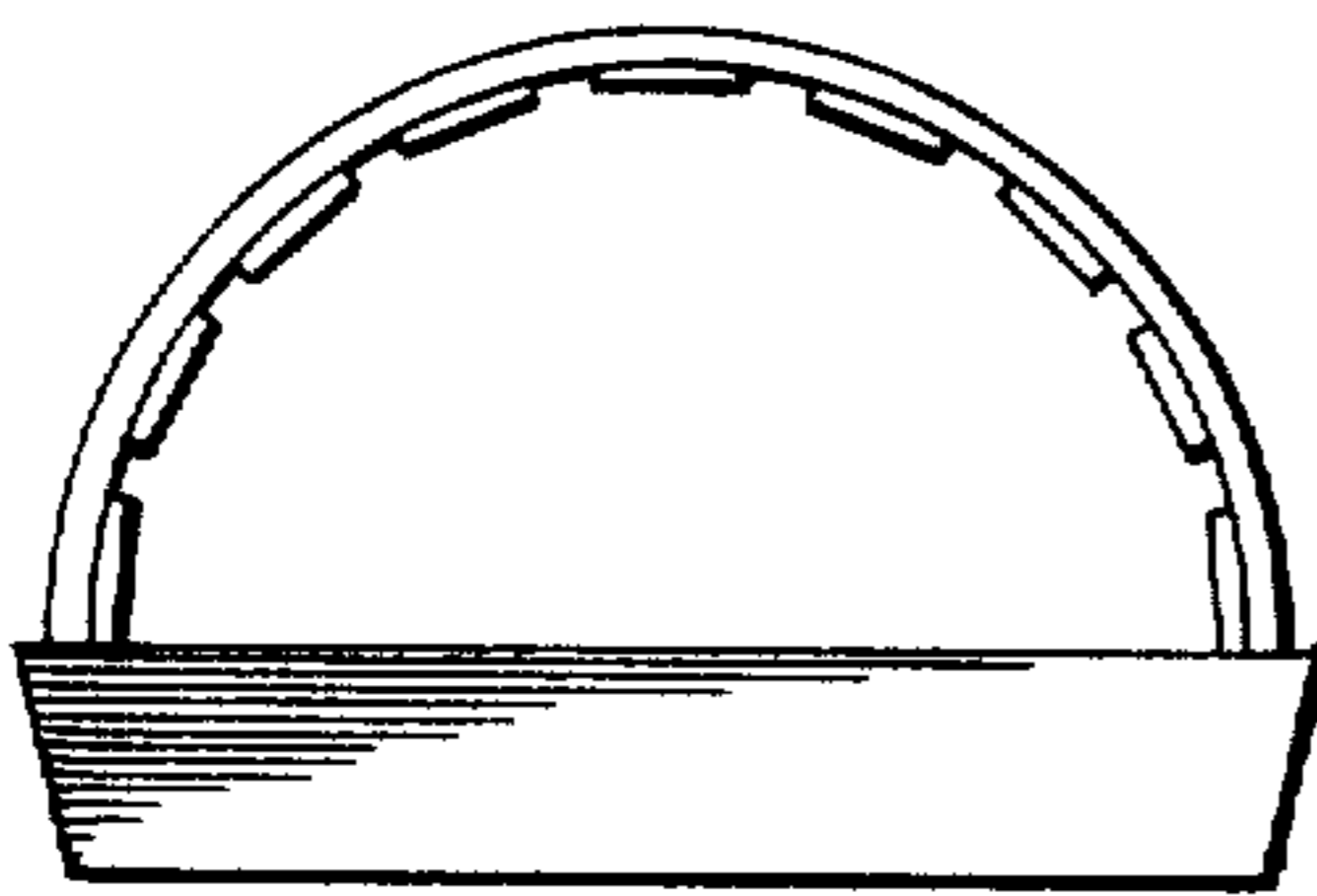
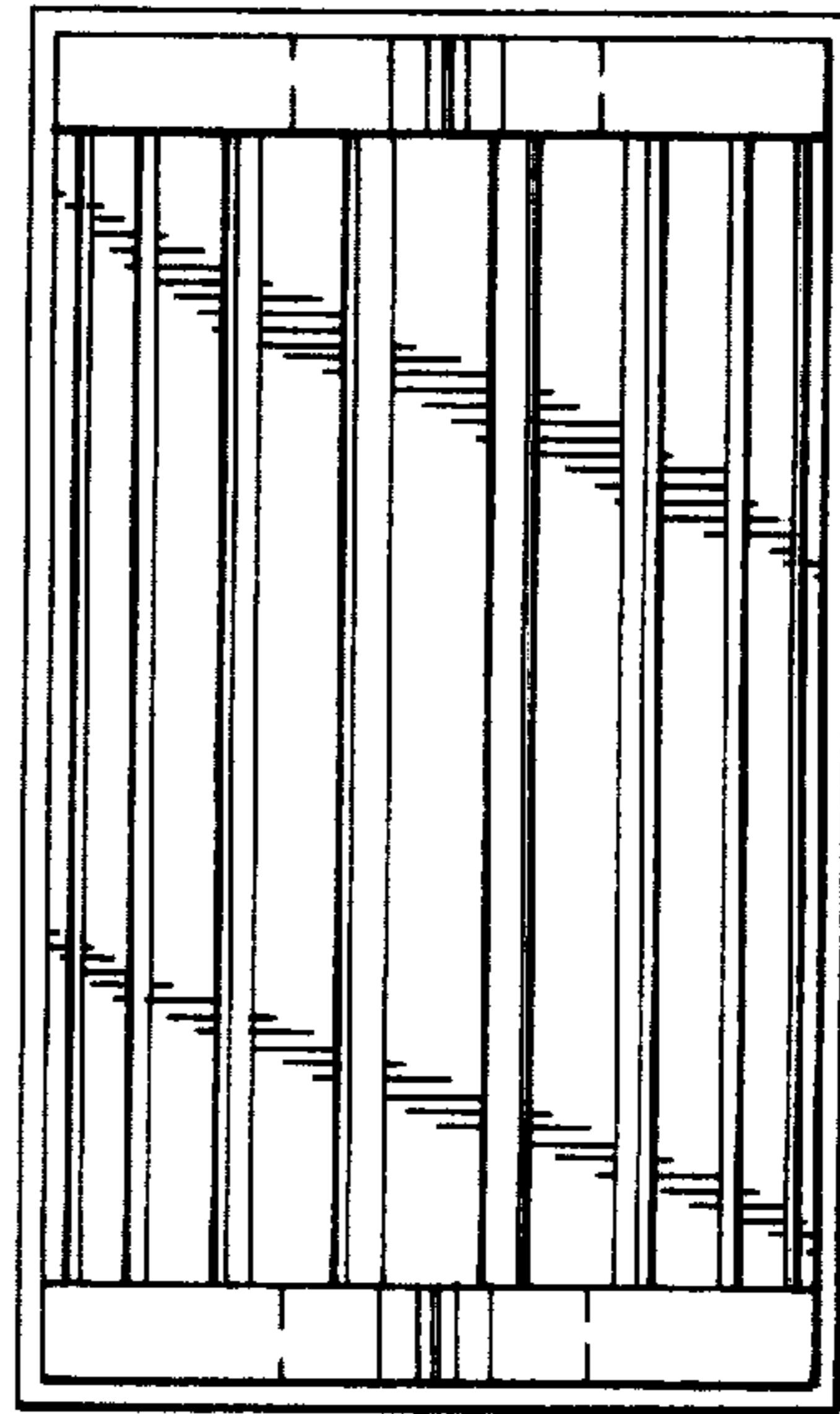


FIG 2

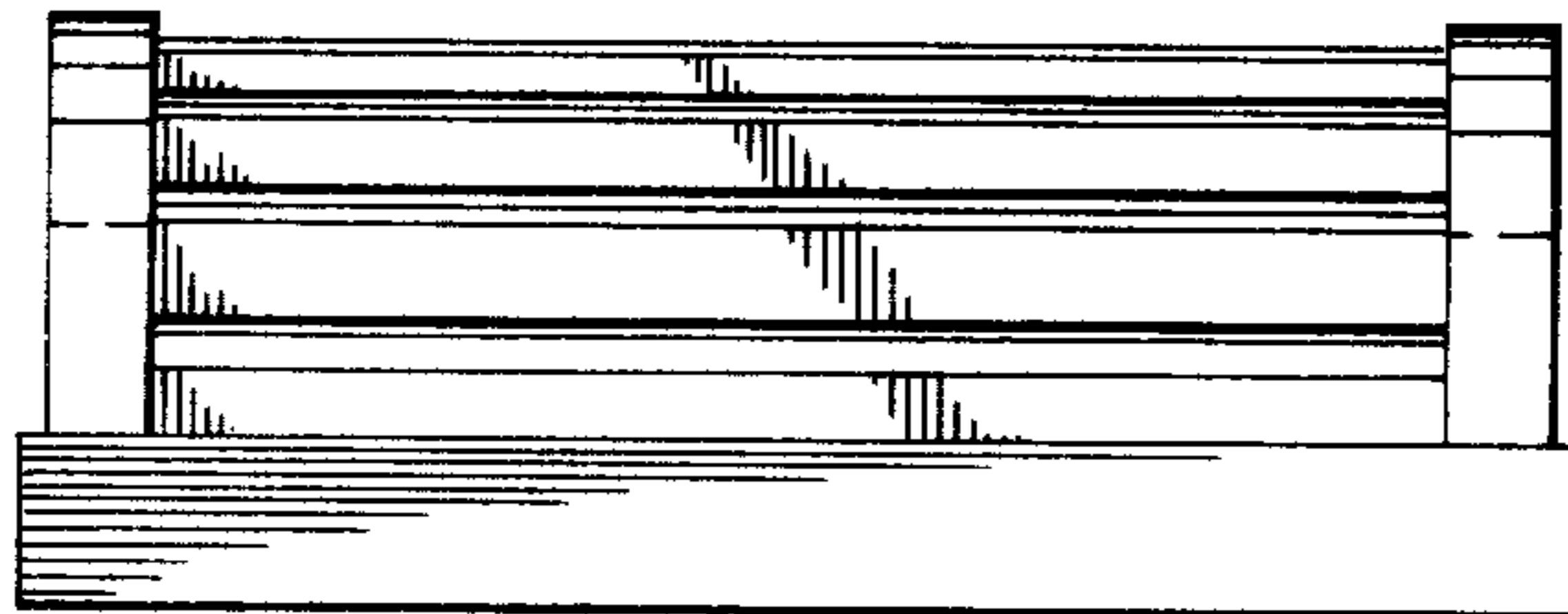


FIG 4