

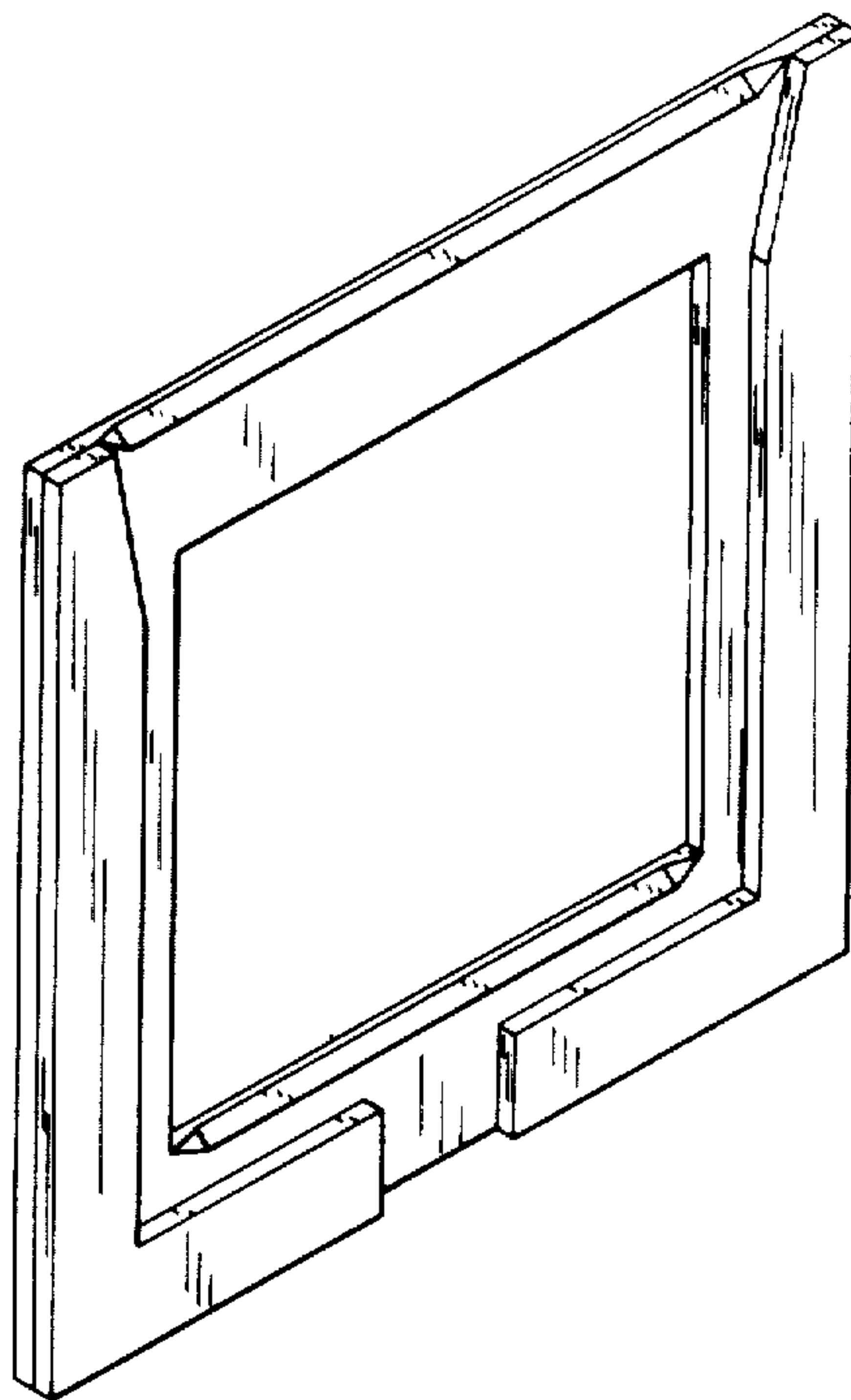
[54] **PICTURE FRAME**
 [76] Inventor: **John G. Pfanstiehl**, Rte. 87,
 Andover, Conn. 06232
 [**] Term: **14 Years**
 [21] Appl. No.: **121,992**
 [22] Filed: **Feb. 19, 1980**
 [51] Int. Cl. **D6—07**
 [52] U.S. Cl. **D6/242**
 [58] Field of Search **D6/232-245;**
 40/152, 152.1, 152.2, 156, 158 R, 158 B, 159;
 D11/132

[56] **References Cited**
U.S. PATENT DOCUMENTS
 2,268,529 12/1941 Stiles D6/241
 2,968,884 1/1961 Anastasio et al. 40/152
 3,235,990 2/1966 Baer 40/152
FOREIGN PATENT DOCUMENTS
 219881 7/1961 Austria 40/152
 438225 6/1948 Italy 40/152
 1071402 6/1967 United Kingdom 40/152

Primary Examiner—Charles A. Rademaker
Attorney, Agent, or Firm—McCormick, Paulding &
 Huber

[57] **CLAIM**
 The ornamental design for a picture frame, as shown
 and described.

DESCRIPTION
 FIG. 1 is a rear perspective view of a picture frame
 showing my new design;
 FIG. 2 is a front elevational view thereof;
 FIG. 3 is a rear elevational view thereof;
 FIG. 4 is a left side elevational view thereof, the side
 opposite being a mirror image;
 FIG. 5 is a bottom plan view thereof;
 FIG. 6 is a top plan view thereof;
 FIG. 7 is a rear perspective view of a modified form of
 the design shown in FIGS. 1 through 6;
 FIG. 8 is a rear elevational view thereof;
 FIG. 9 is a right side elevational view thereof, the side
 opposite being substantially a mirror image;
 FIG. 10 is a bottom plan view thereof;
 and
 FIG. 11 is a top plan view thereof.



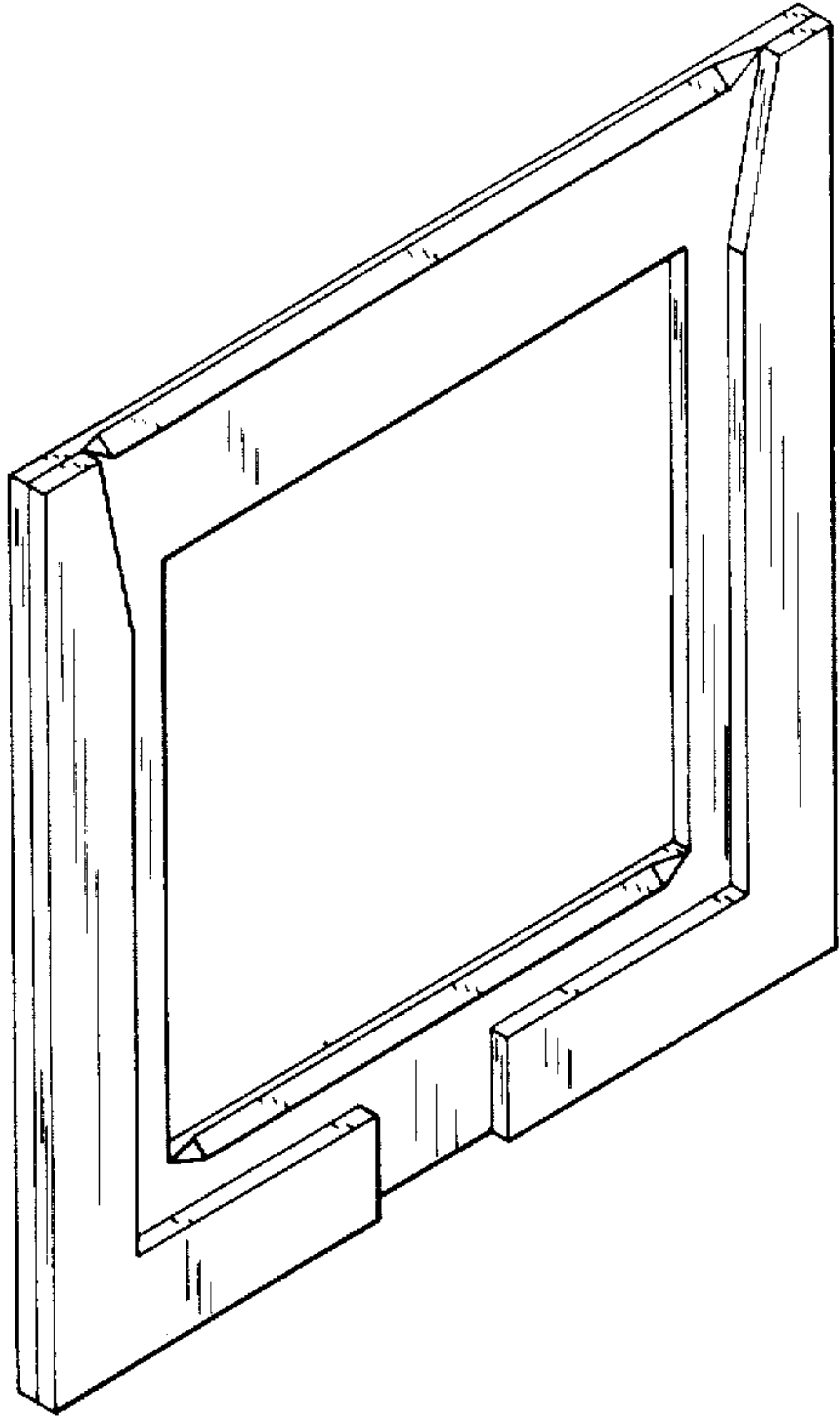


FIG. 1

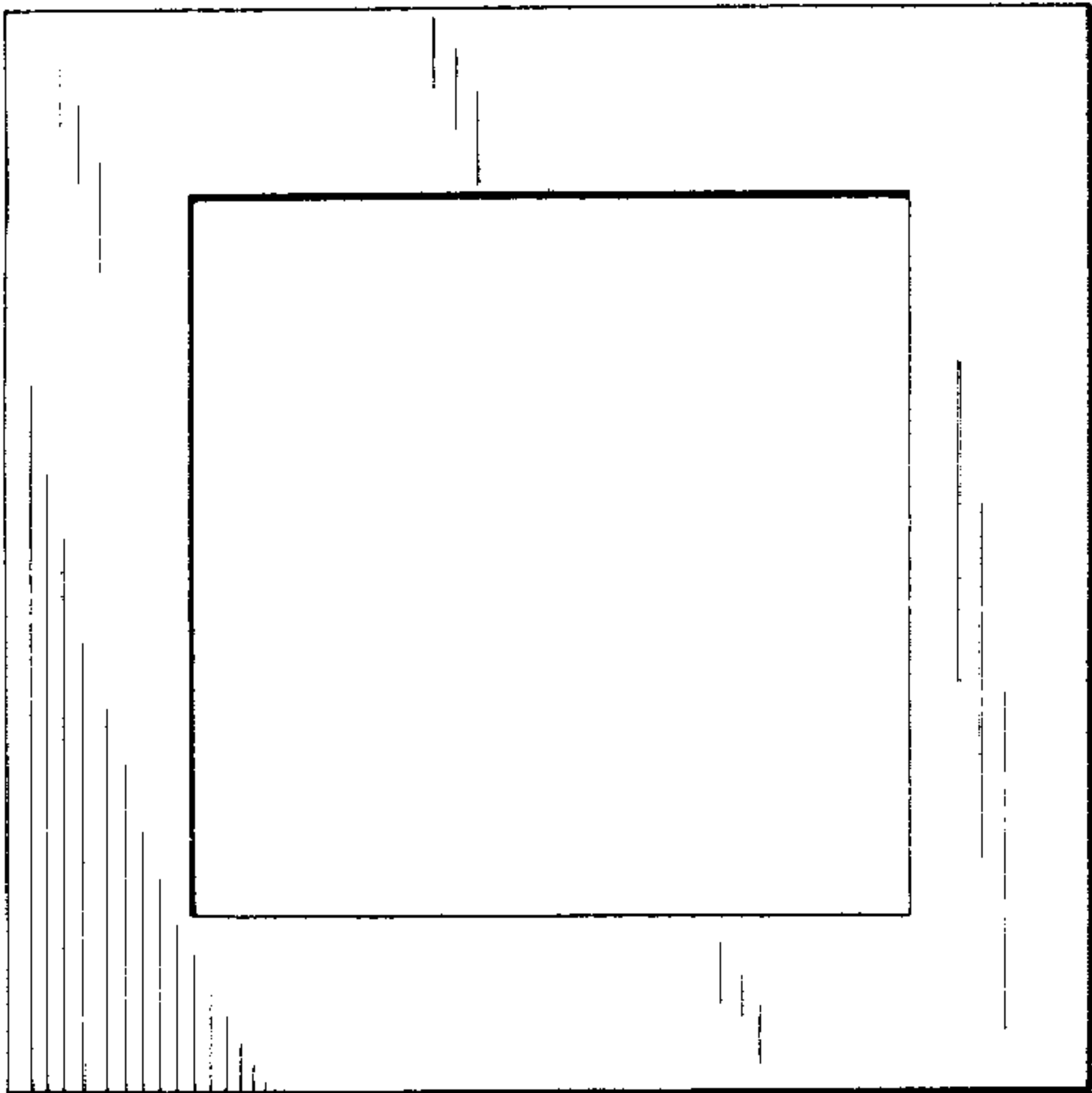


FIG. 2

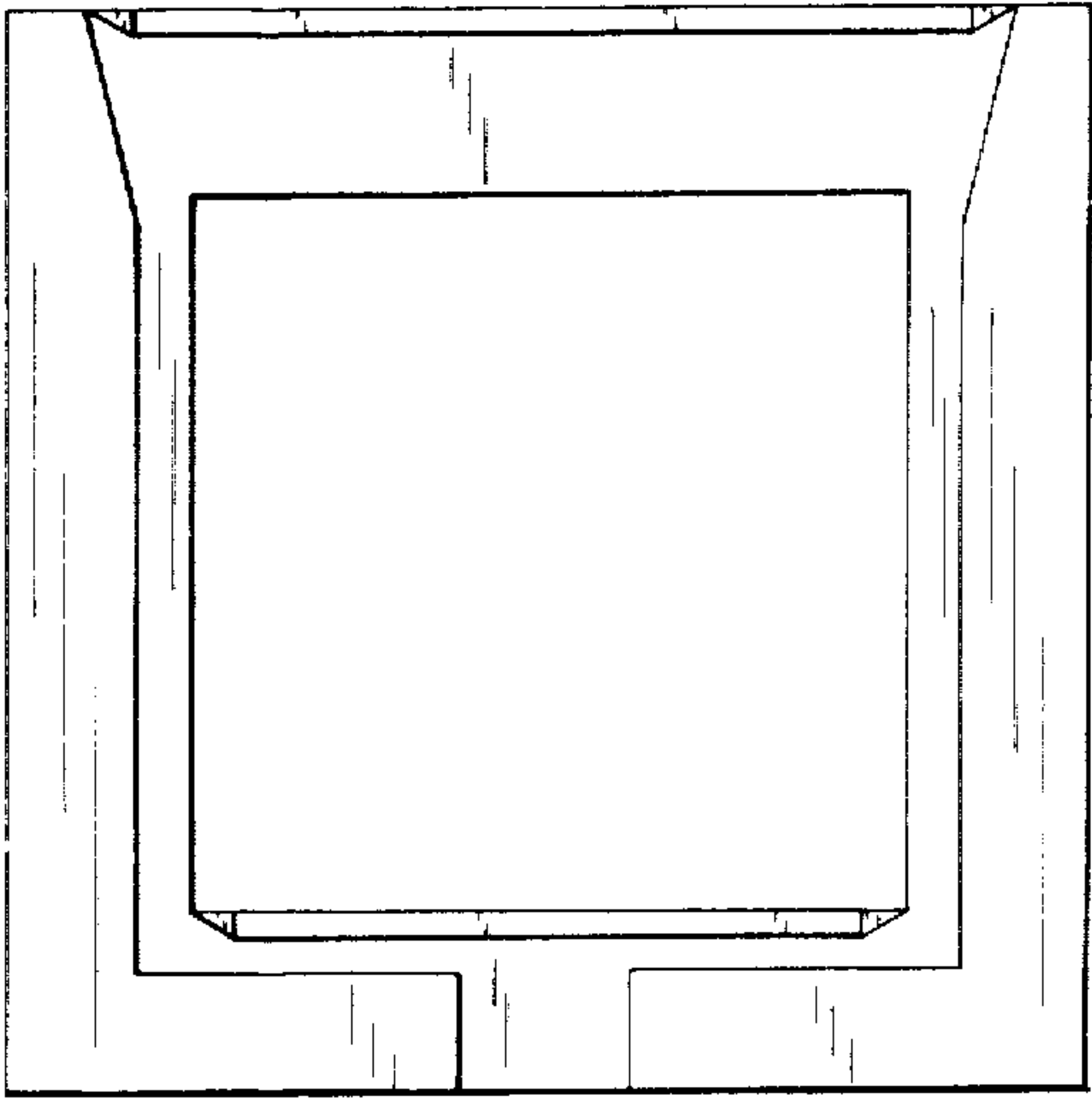


FIG. 3

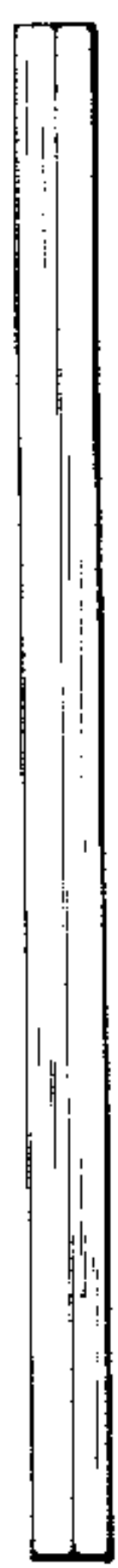


FIG. 4

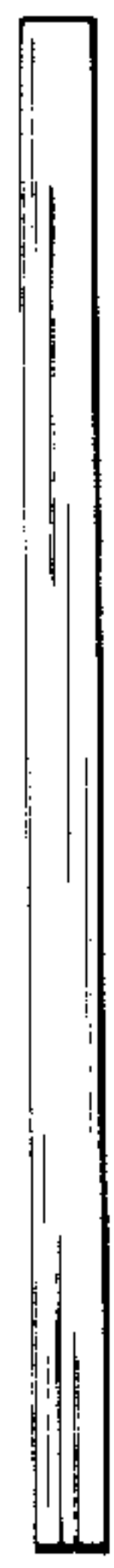


FIG. 9

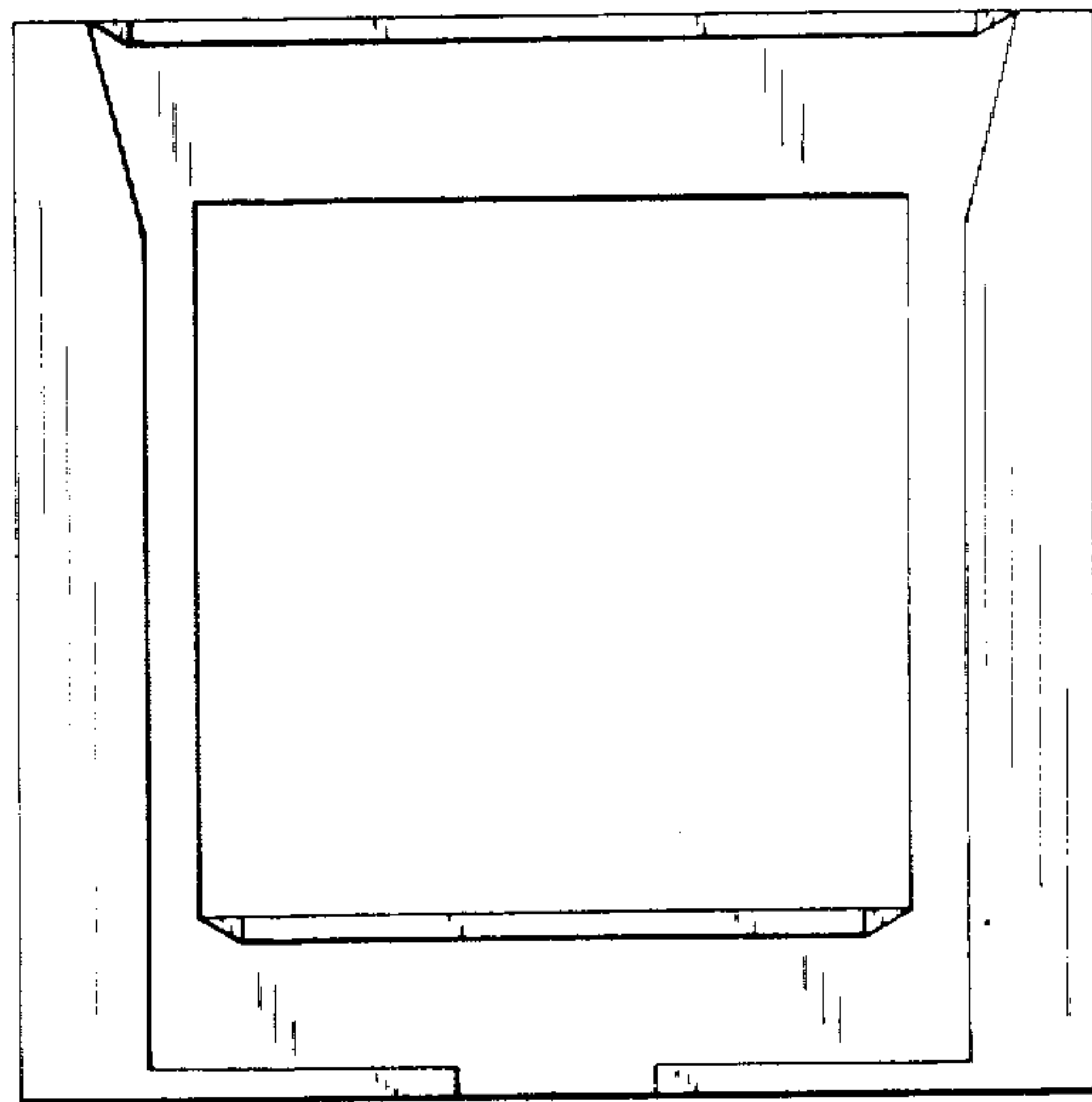


FIG. 8



FIG. 5

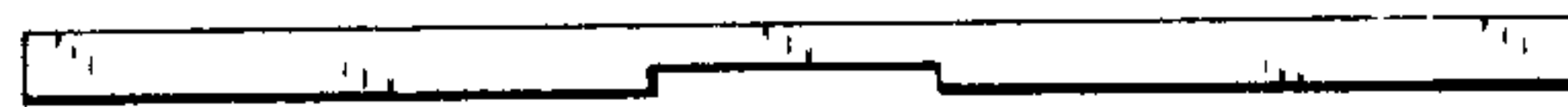


FIG. 10



FIG. 6

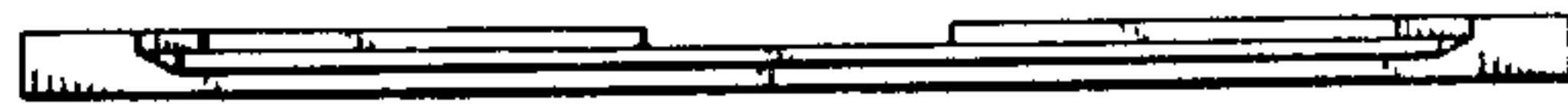


FIG. 11

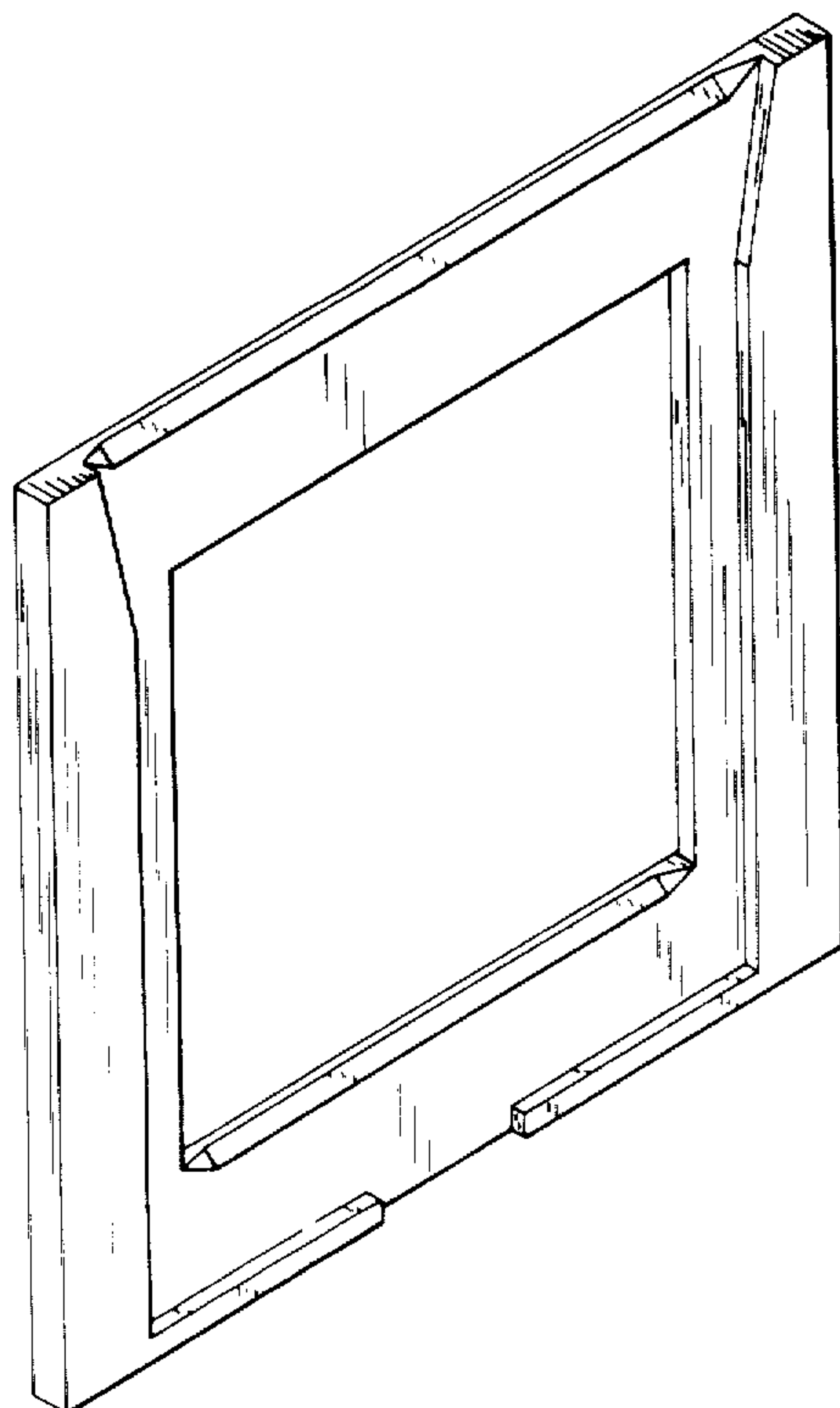


FIG. 7