

[54] PAPER ROLL HOLDER

[76] Inventor: Stan Youngman, P.O. Box 644, Banff, Alberta, T0L 0C0, Canada

[**] Term: 14 Years

[21] Appl. No.: 240,980

[22] Filed: Mar. 5, 1981

[30] Foreign Application Priority Data

Sep. 17, 1980 [CA] Canada 1709803

[51] Int. Cl. D23-02

[52] U.S. Cl. D6/97

[58] Field of Search D6/86-103,
D6/114, 130, 132; 211/87, 88, 90; 206/389, 391,
409; 242/55.2, 55.3, 55.53, 55.54, 55.55, 55.42;
248/309 R

[56] References Cited

U.S. PATENT DOCUMENTS

D. 137,392	2/1944	Belshaw	D6/97
D. 147,623	10/1947	Silvers	D6/97
D. 238,461	1/1976	Bauman	D6/97
D. 253,265	10/1979	Miller	D6/97
3,482,796	12/1969	Tucker	242/55.2

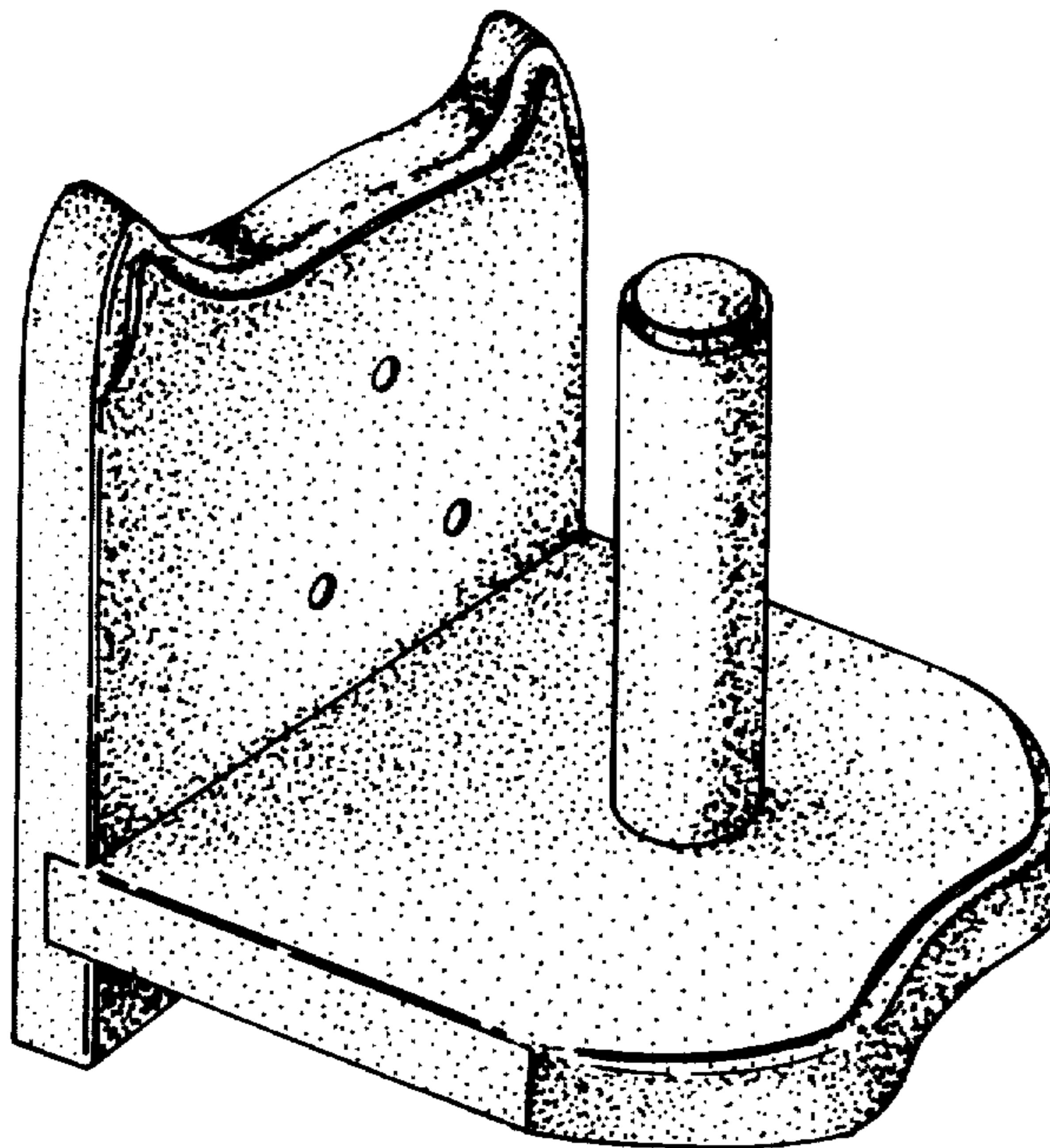
Primary Examiner—B. J. Bullock

[57] CLAIM

The ornamental design for a paper roll holder, as shown and described.

DESCRIPTION

FIG. 1 is a perspective view of a paper roll holder showing my new design; FIG. 2 is a side elevational view taken from the left of FIG. 1, the side opposite being a mirror image thereof; FIG. 3 is a top plan view; and FIG. 4 is a front elevational view.



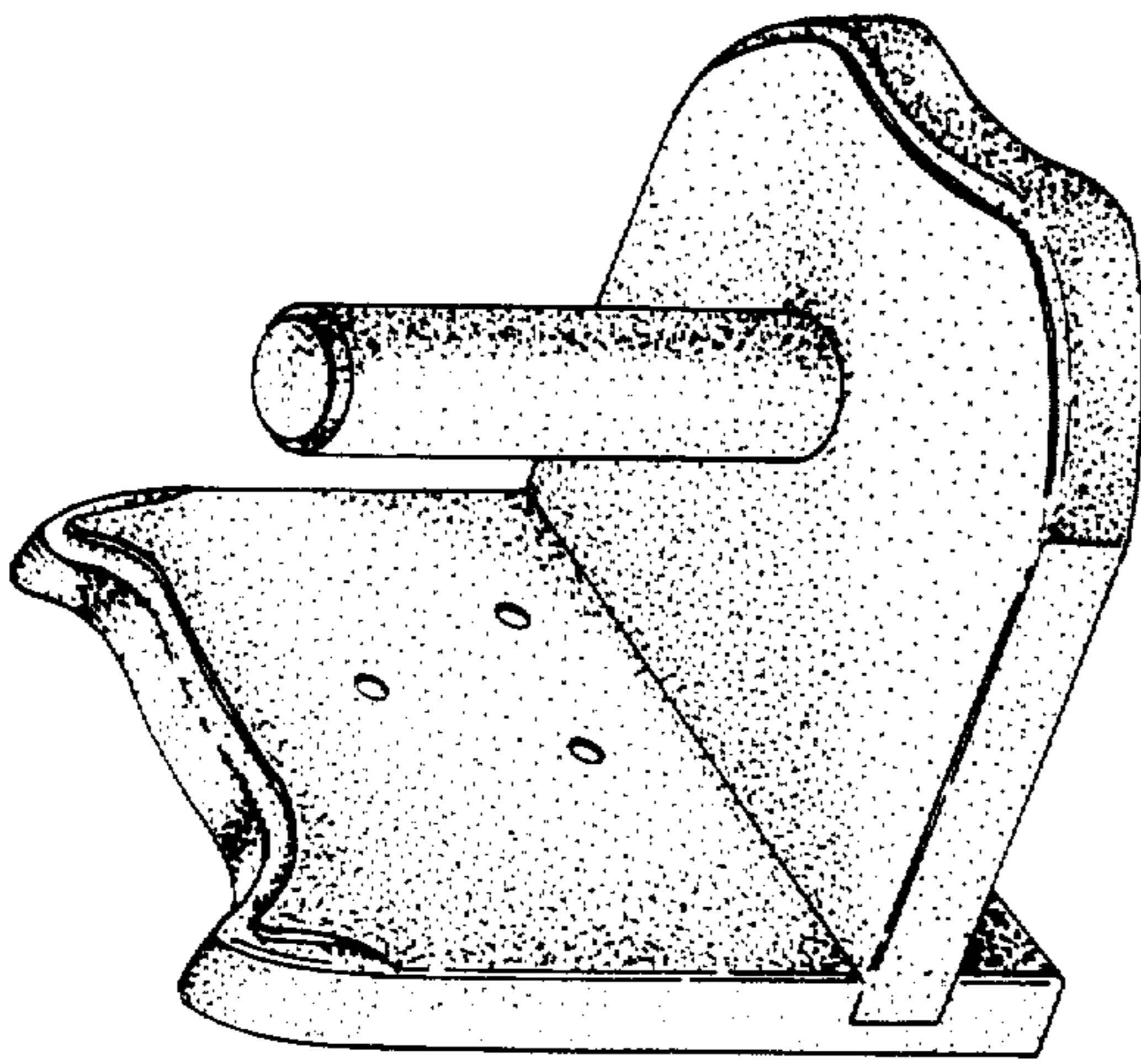


FIG. 1

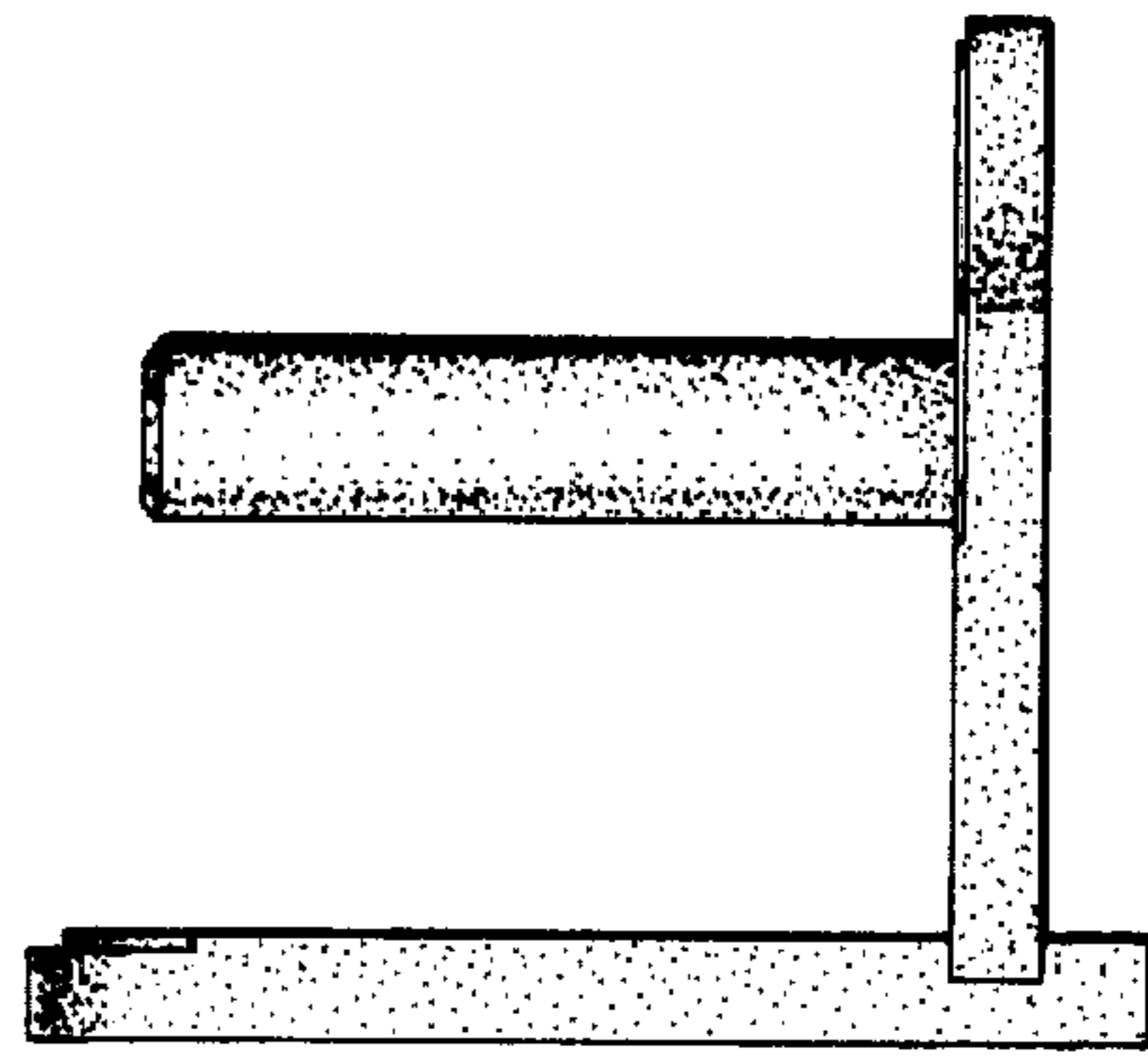


FIG. 2

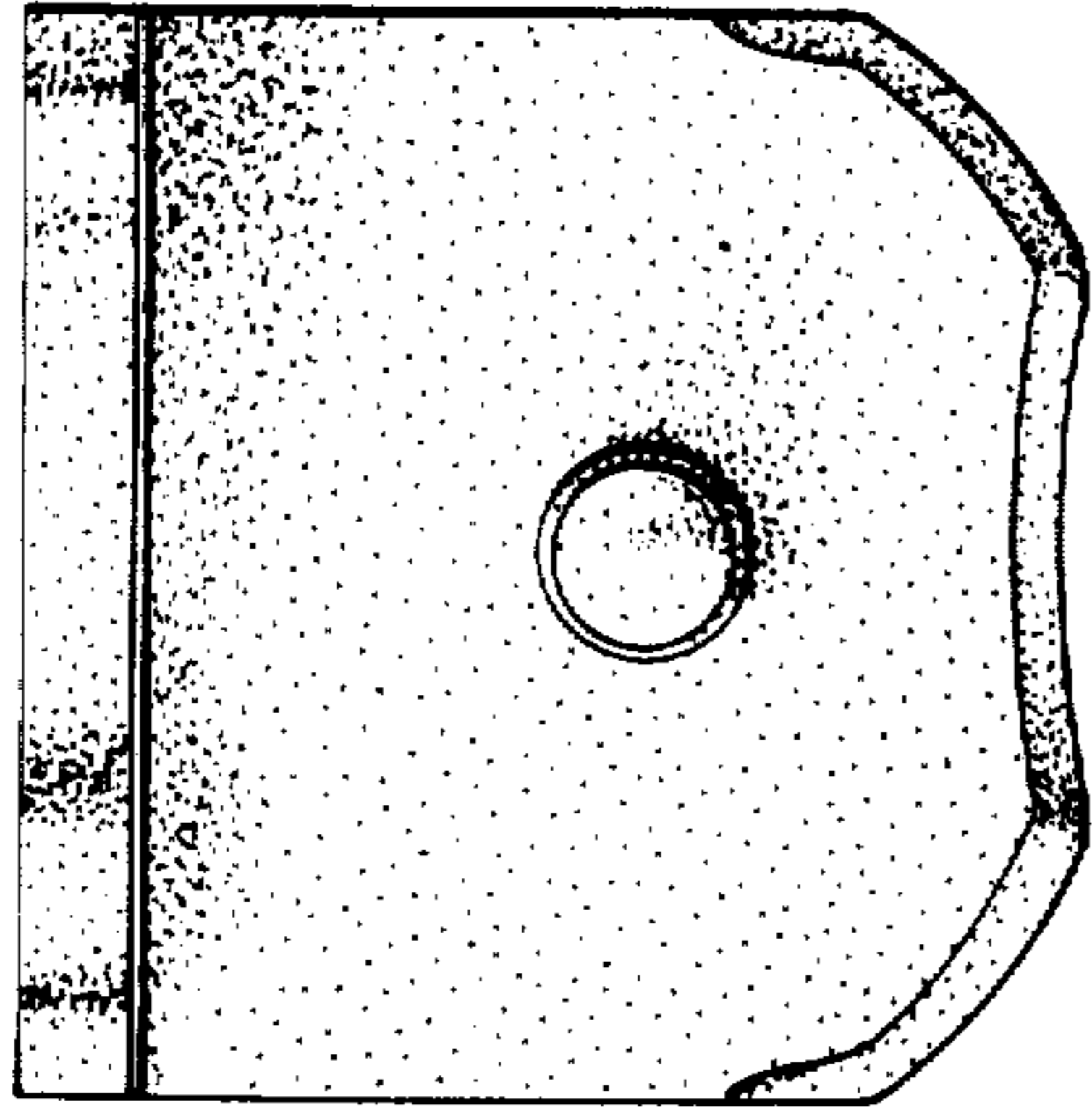


FIG. 3

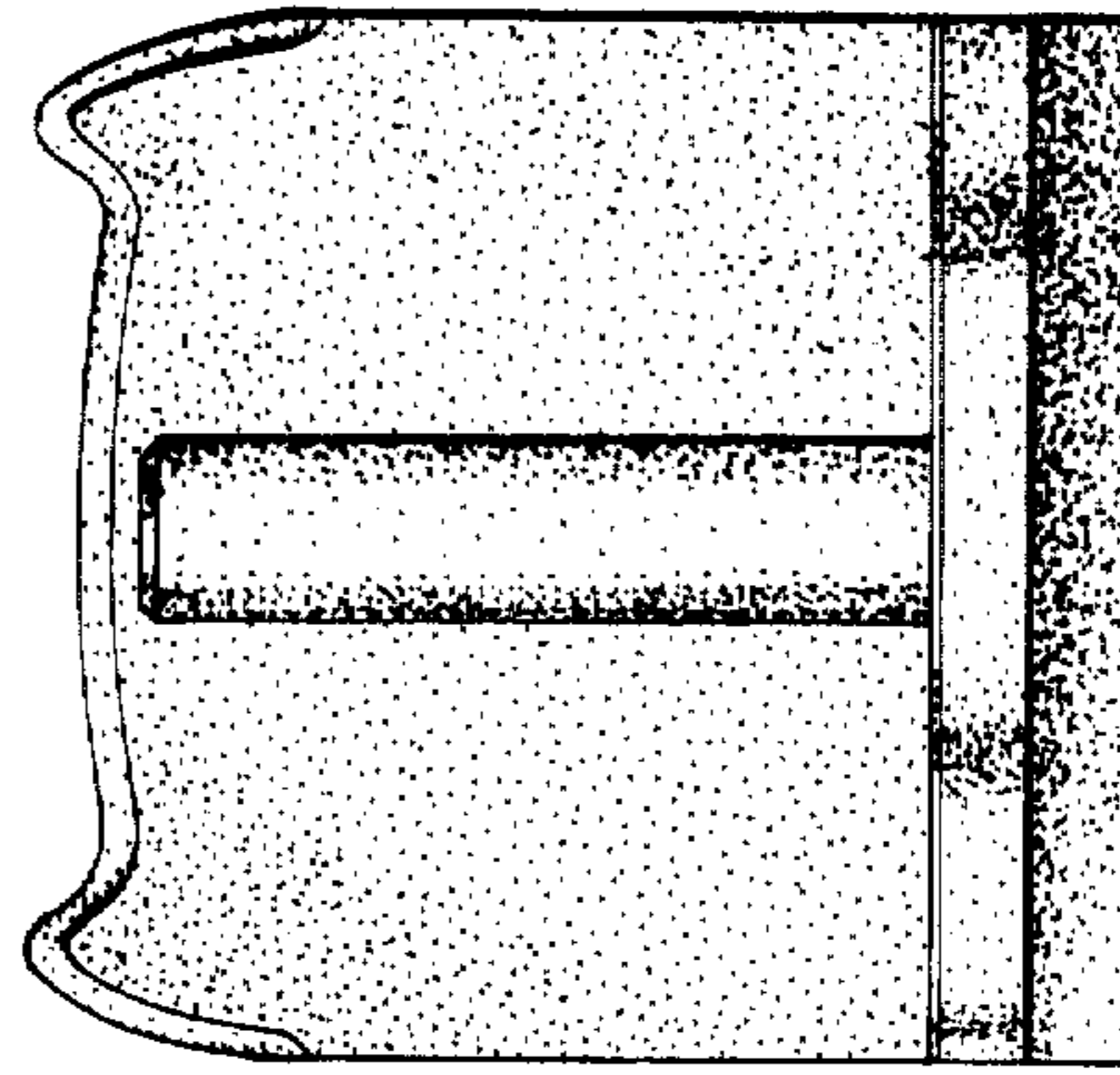


FIG. 4