

[54] BUILDING BLOCK

[76] Inventor: Jose C. dos Santos, Estrada dos Arneiros, 46-1° Dto., Lisbon, Portugal

[**] Term: 14 Years

[21] Appl. No.: 187,987

[22] Filed: Sep. 17, 1980

[30] Foreign Application Priority Data

Mar. 25, 1980 [PT] Portugal 15,049

[51] Int. Cl. D25-01

[52] U.S. Cl. D25/80

[58] Field of Search D25/80-96;
52/313, 314, 315, 316, 592, 589-591, 593, 594,
595

[56] References Cited

U.S. PATENT DOCUMENTS

D. 54,424	2/1920	Lehman	D25/80
1,552,077	9/1925	Palanti	D25/91 X
3,410,044	11/1968	Moog	D25/80 X
3,534,518	10/1970	Zagray	D25/80 X
4,124,961	11/1978	Habegger	D25/80 X

Primary Examiner—A. Hugo Word
Attorney, Agent, or Firm—Birch, Stewart, Kolasch & Birch

[57] CLAIM

The ornamental design for a building block, as shown.

DESCRIPTION

FIG. 1 is a perspective view of a building block showing my new design;
FIG. 2 is a front elevational view thereof;
FIG. 3 is a left side elevational view thereof;
FIG. 4 is a top plan view thereof;
FIG. 5 is a back elevational view thereof;
FIG. 6 is a right side elevational view thereof; and
FIG. 7 is a bottom plan view thereof.

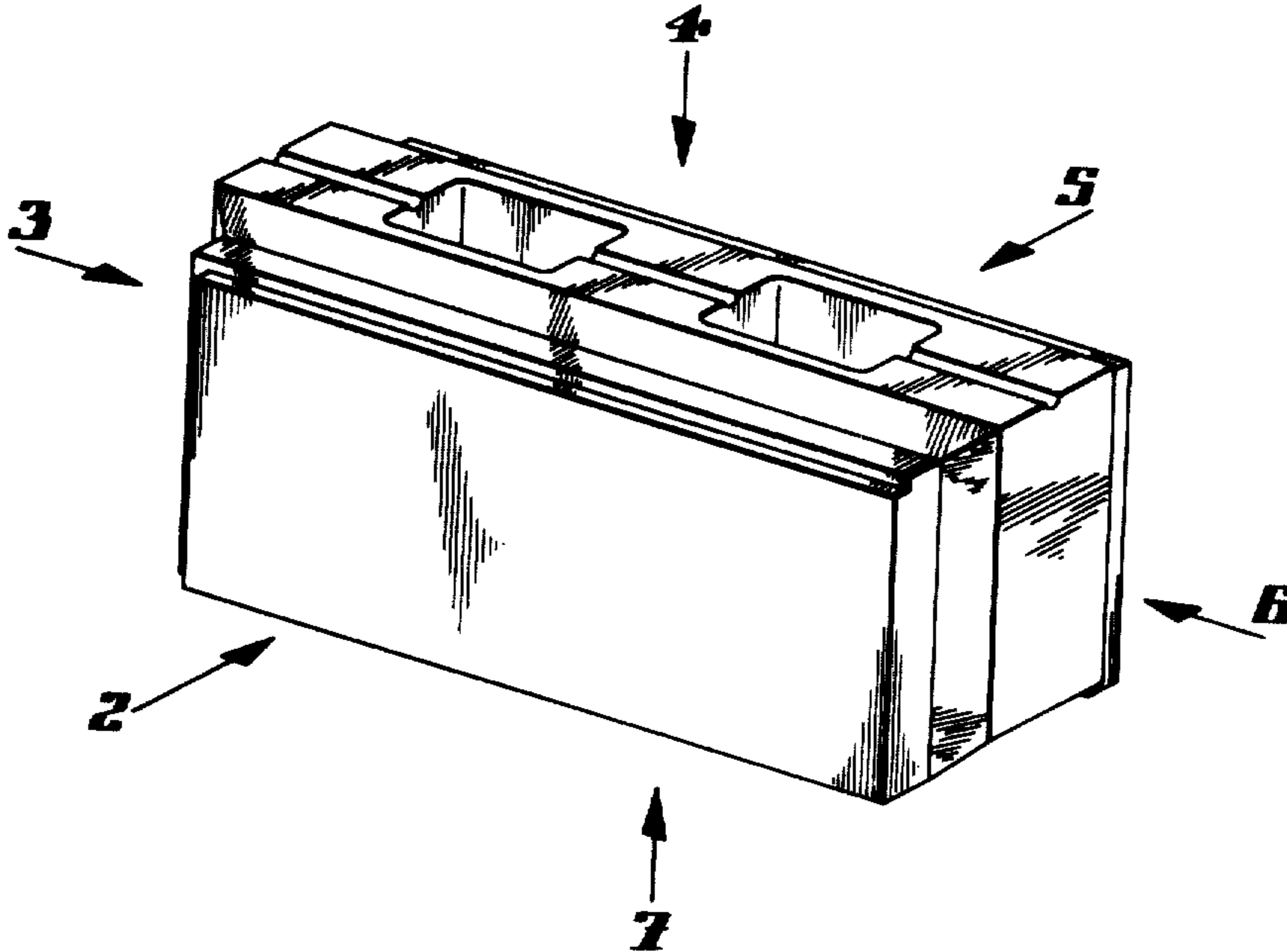
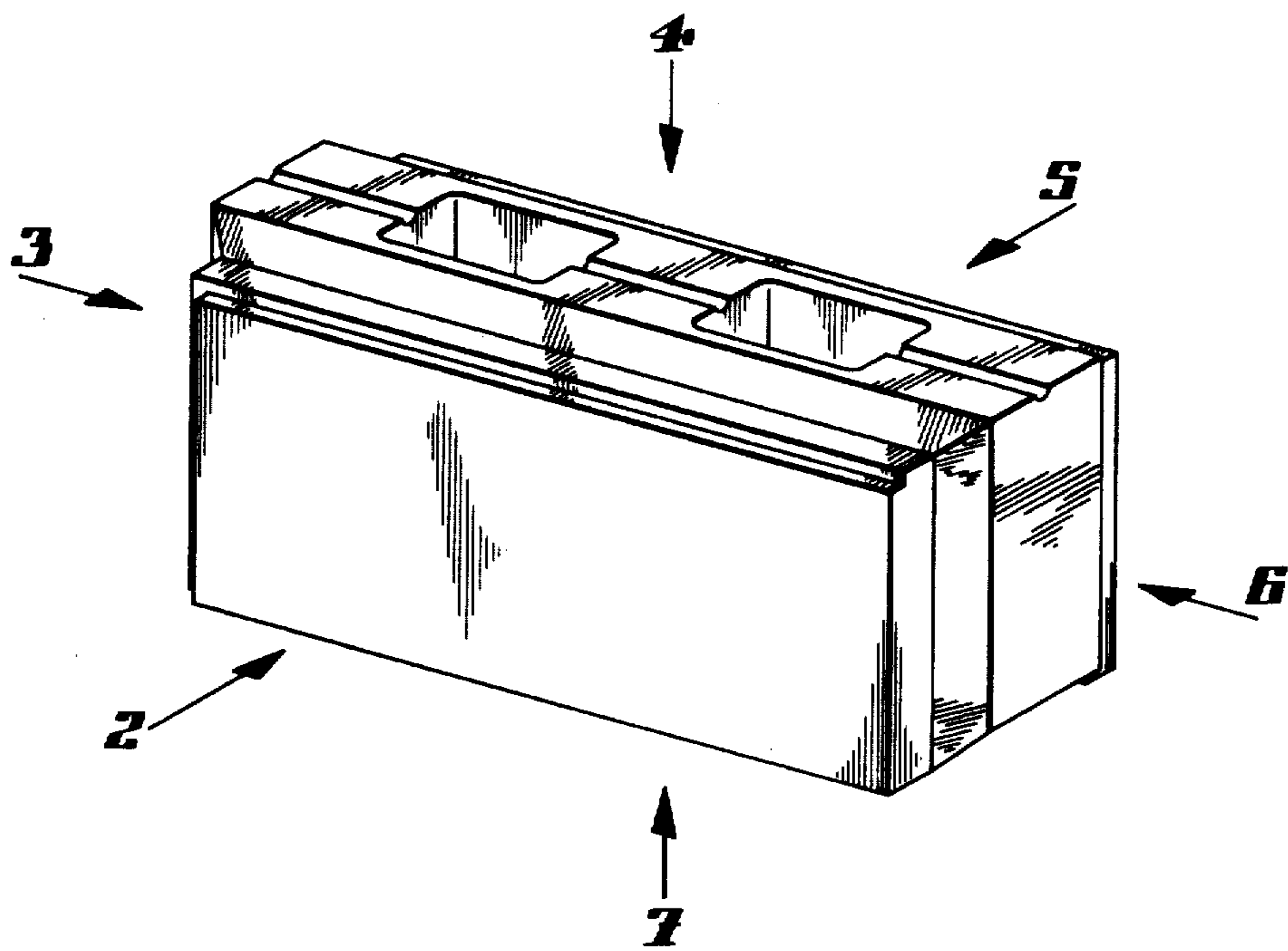


Fig. 1



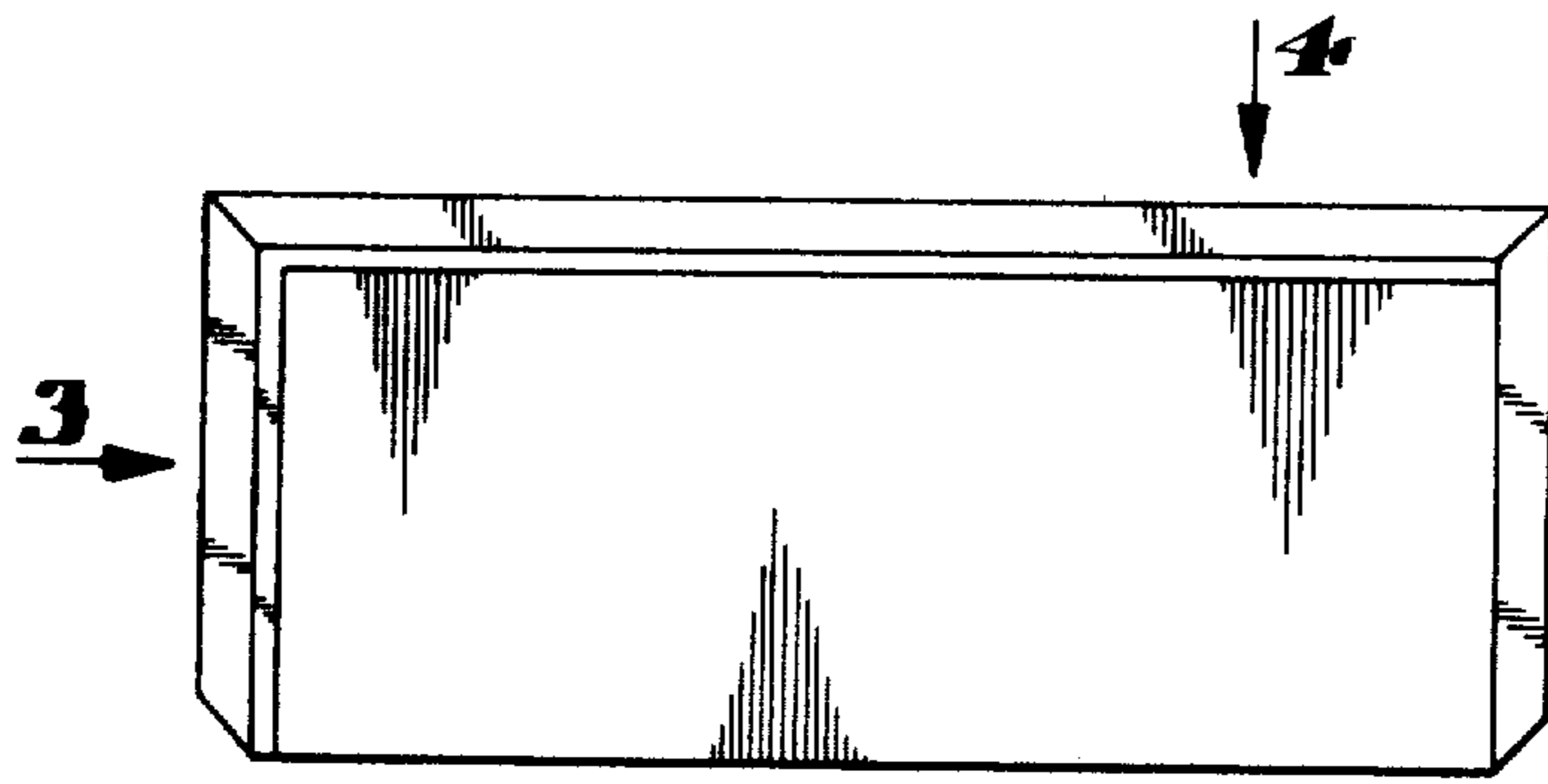


Fig. 2

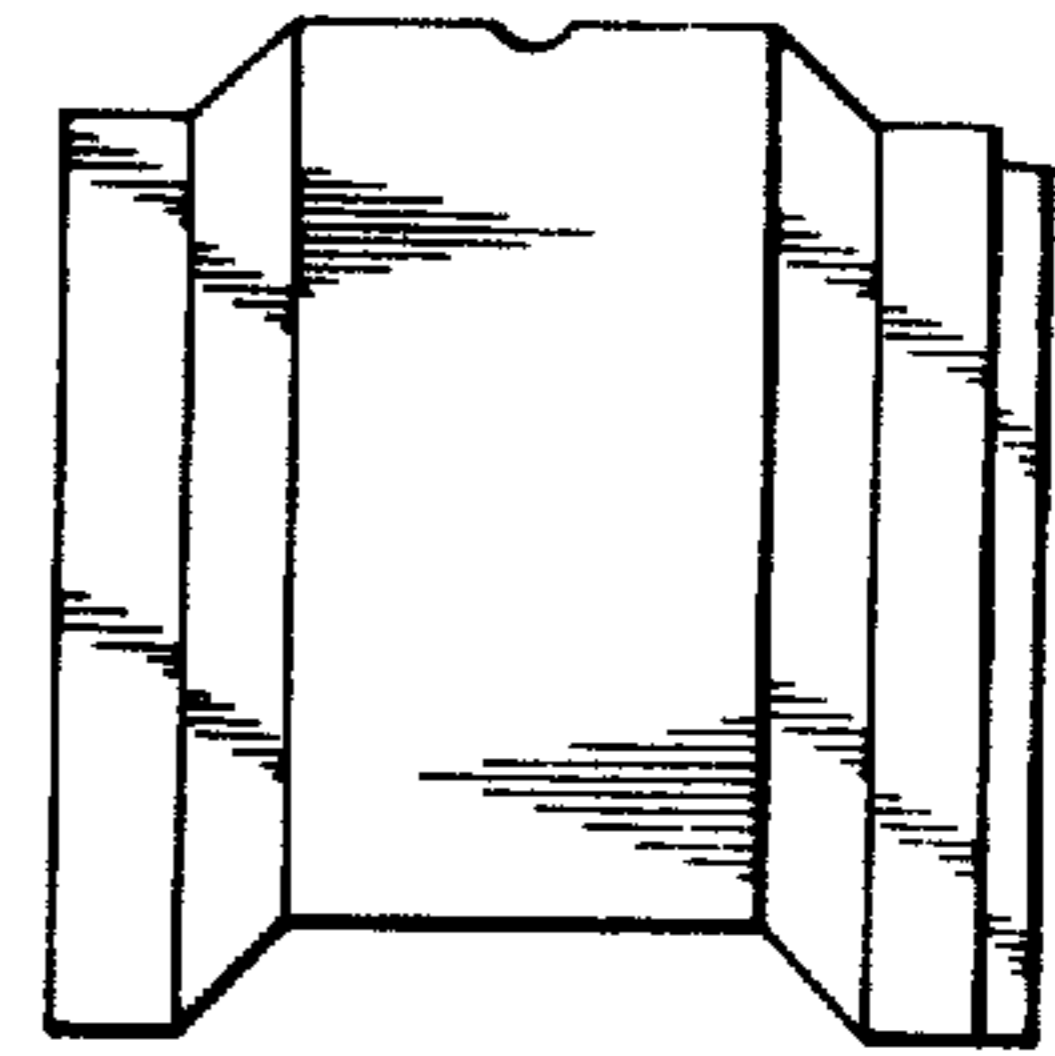


Fig. 3

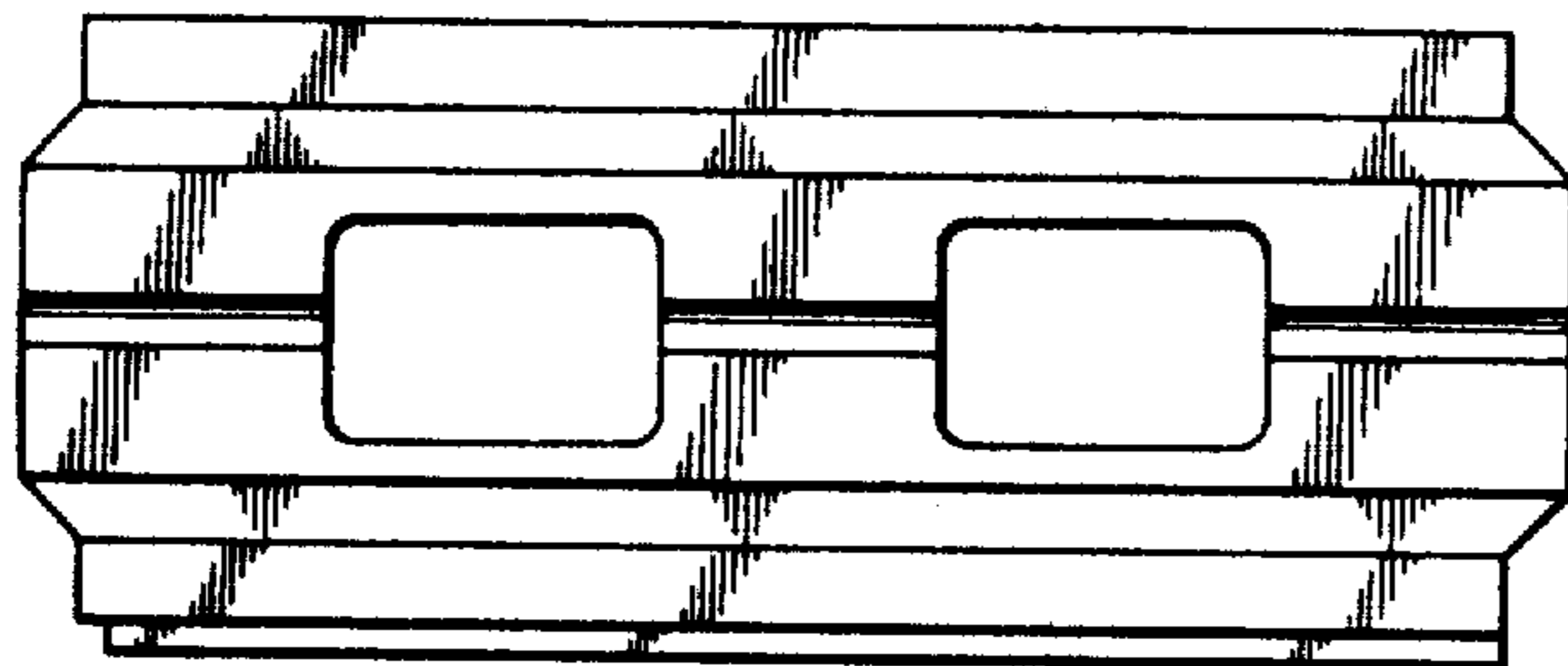


Fig. 4

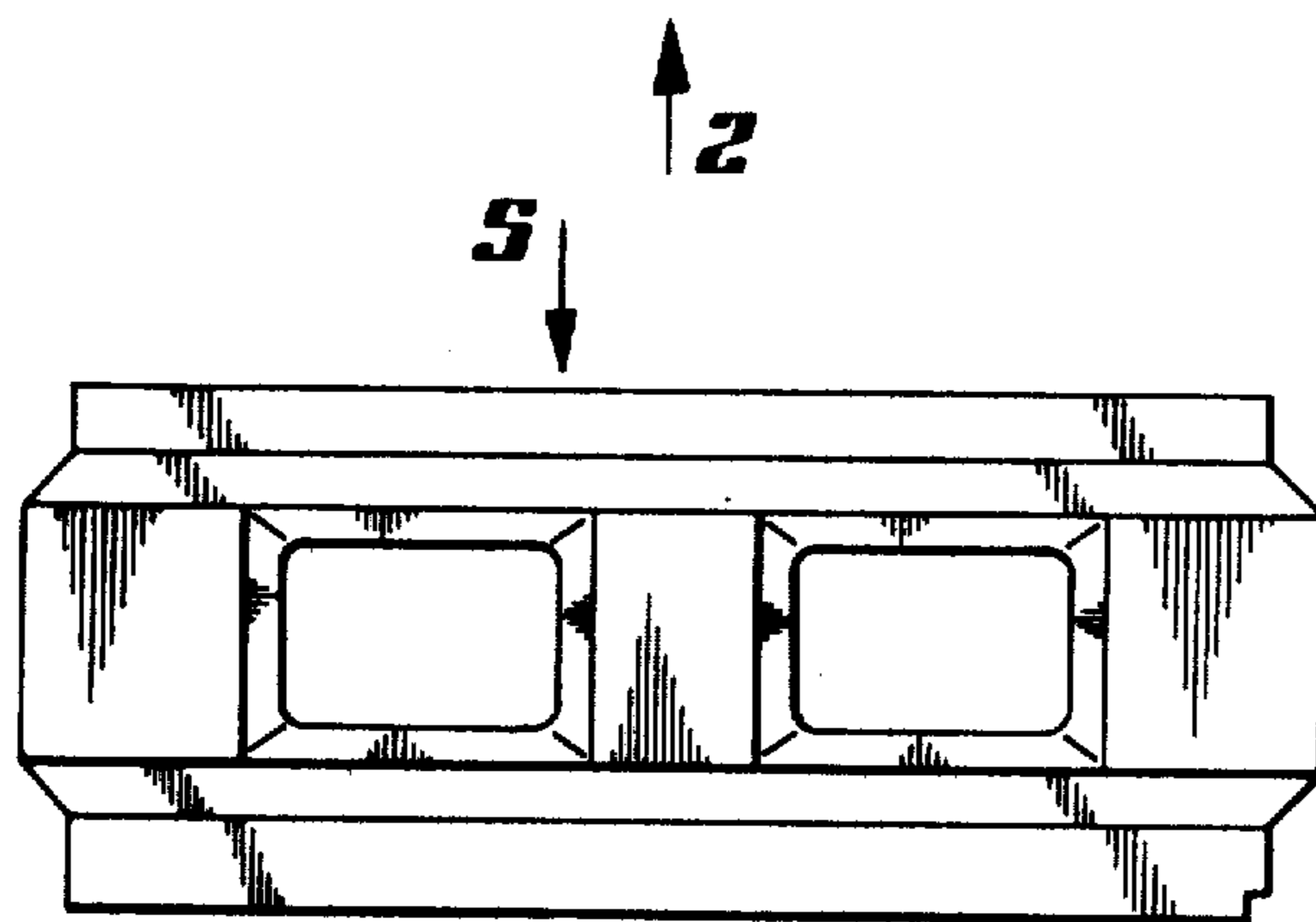


Fig. 5

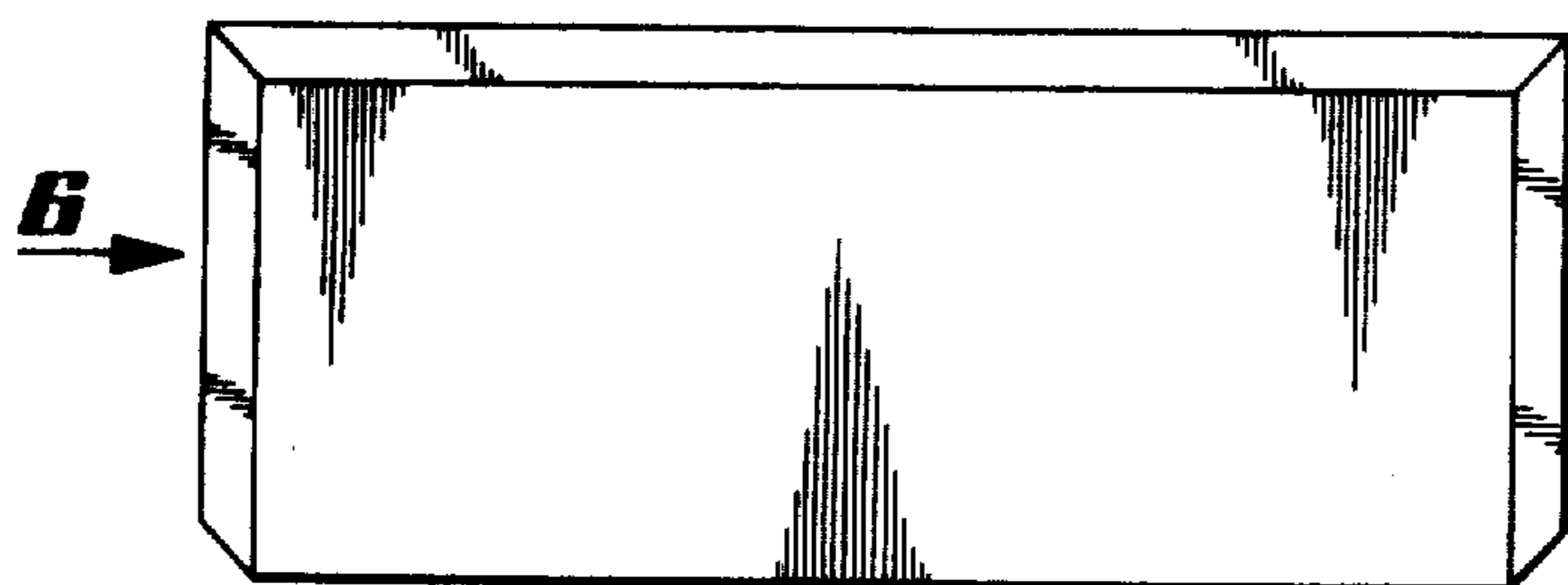


Fig. 6

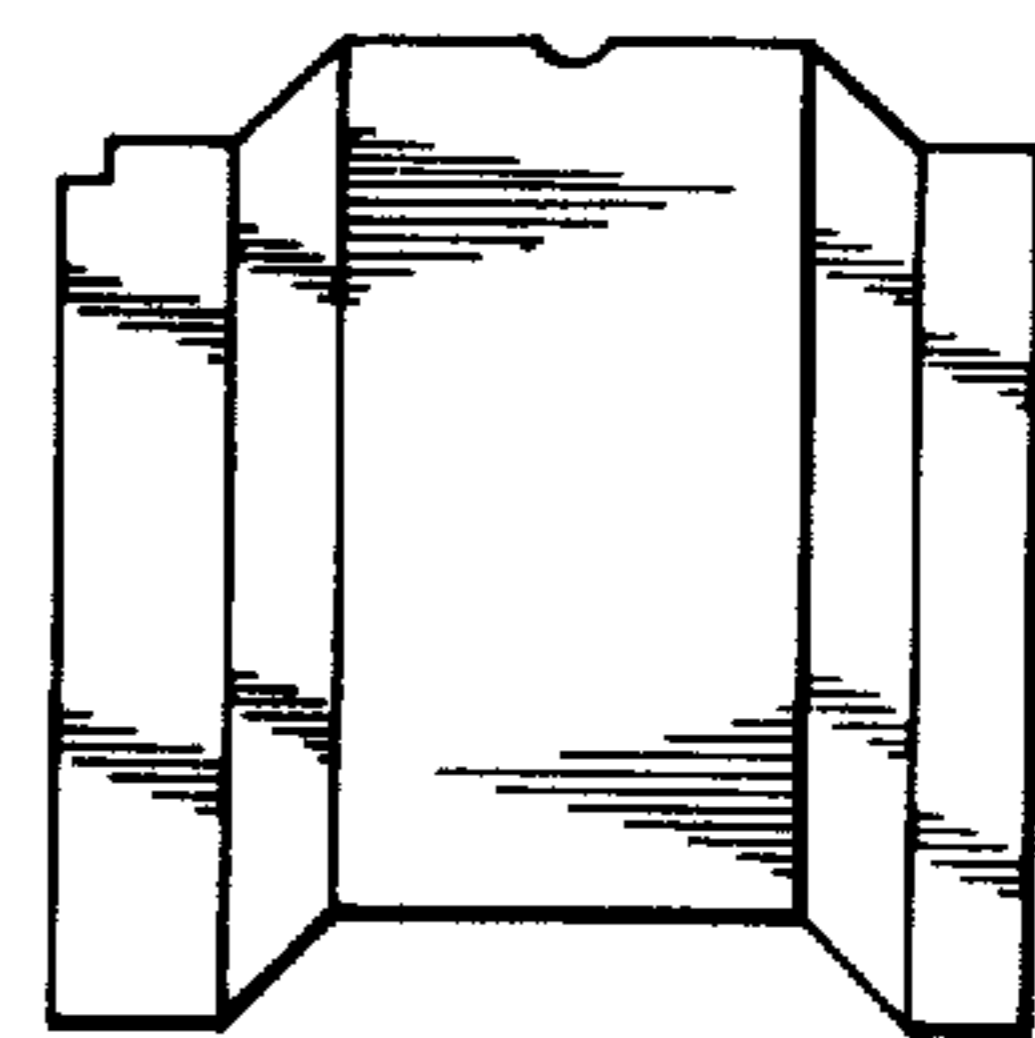


Fig. 7