

[54] COVER FOR A TRANSPORT REFRIGERATION UNIT

[75] Inventors: Peter B. Allard, Minnetonka; William F. Arendt, Burnsville; Rodney H. Volk, Eden Prairie, all of Minn.

[73] Assignee: Thermo King Corporation, Minneapolis, Minn.

[\*\*] Term: 14 Years

[21] Appl. No.: 170,510

[22] Filed: Jul. 22, 1980

[51] Int. Cl. .... D23-04

[52] U.S. Cl. .... D23/142

[58] Field of Search .... D23/139-150; 62/239, 244; 98/94 AC, 114

[56] **References Cited**  
U.S. PATENT DOCUMENTS

D. 226,087 1/1973 Forsty ..... D23/142

D. 242,798 12/1976 Forsty et al. .... D23/142

D. 252,468 7/1979 Seipp ..... D23/142

D. 258,233 2/1981 Taylor et al. .... D23/142

D. 258,234 2/1981 Anderson et al. .... D23/142

3,057,284 10/1962 Learmont ..... 62/239

3,421,340 1/1969 Von Berg ..... 62/239

4,078,395 3/1978 Crowe et al. .... 62/239

4,132,088 1/1979 Grosskopf ..... 62/239 X

4,182,134 1/1980 Viegas et al. .... 62/298

4,310,192 1/1982 Fitzgerald ..... 62/239 X

Primary Examiner—James R. Largen  
Attorney, Agent, or Firm—E. C. Arenz

[57] **CLAIM**

The ornamental design for a cover for a transport refrigeration unit, substantially as shown and described.

**DESCRIPTION**

FIG. 1 is a perspective view of a cover for a transport refrigeration unit showing our new design; FIG. 2 is a front elevational view thereof; FIG. 3 is a top plan view thereof; FIG. 4 is a left side elevational view thereof; FIG. 5 is a right side elevational view thereof; FIG. 6 is a bottom view thereof. The fragmentary broken line representation of a portion of a truck body in FIG. 1 is for purposes of illustration only.

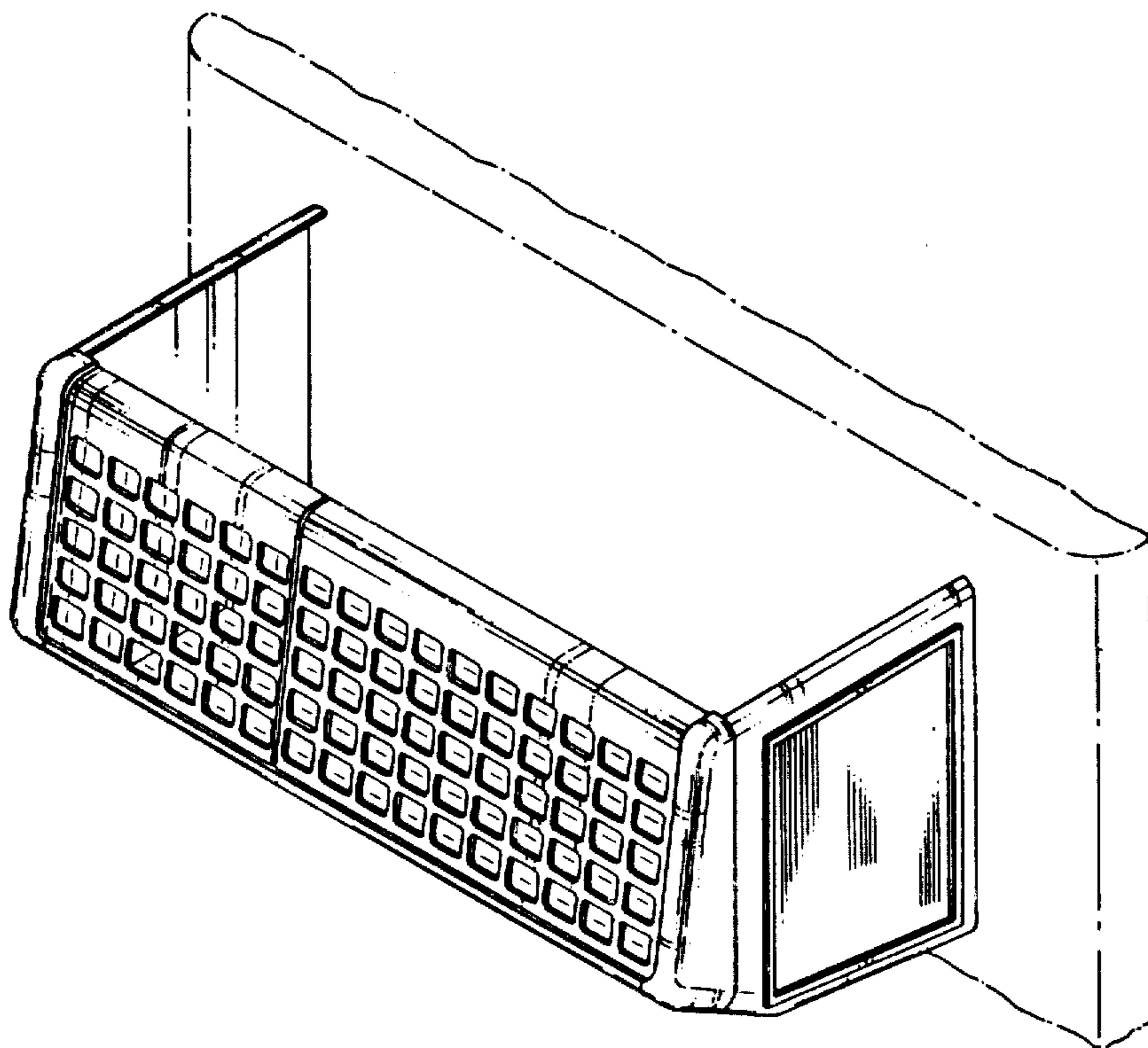
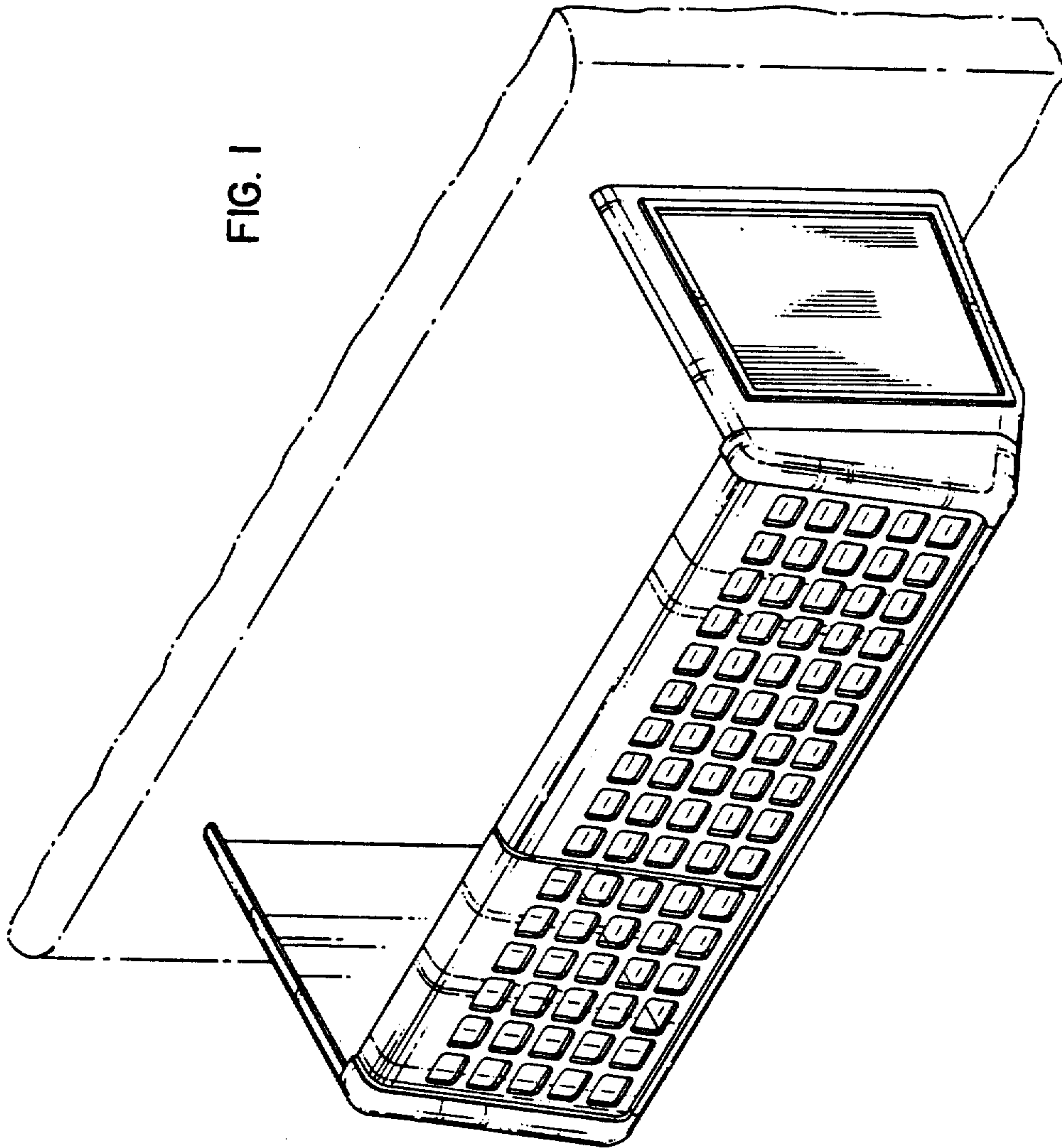


FIG. 1



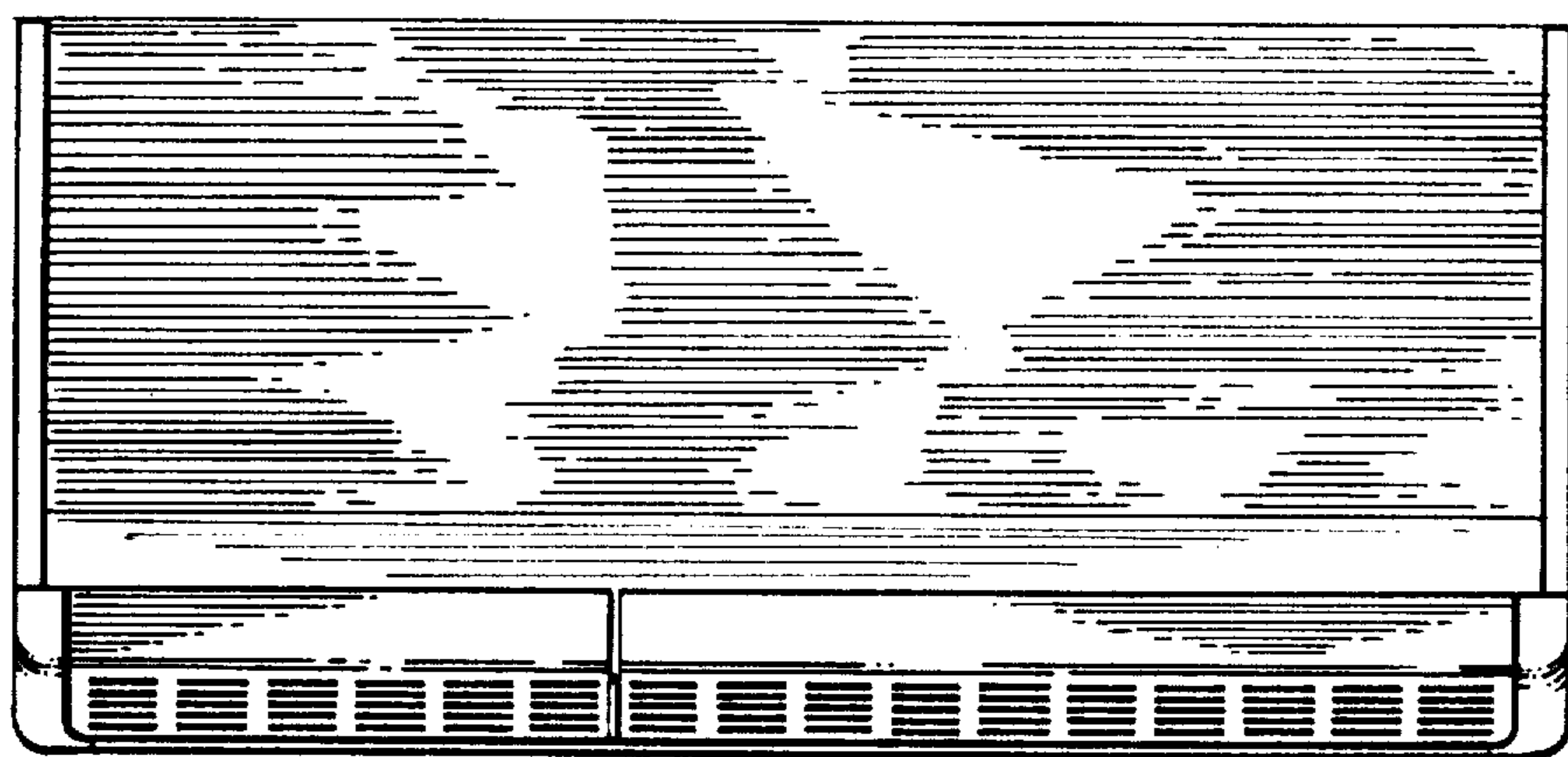


FIG. 3

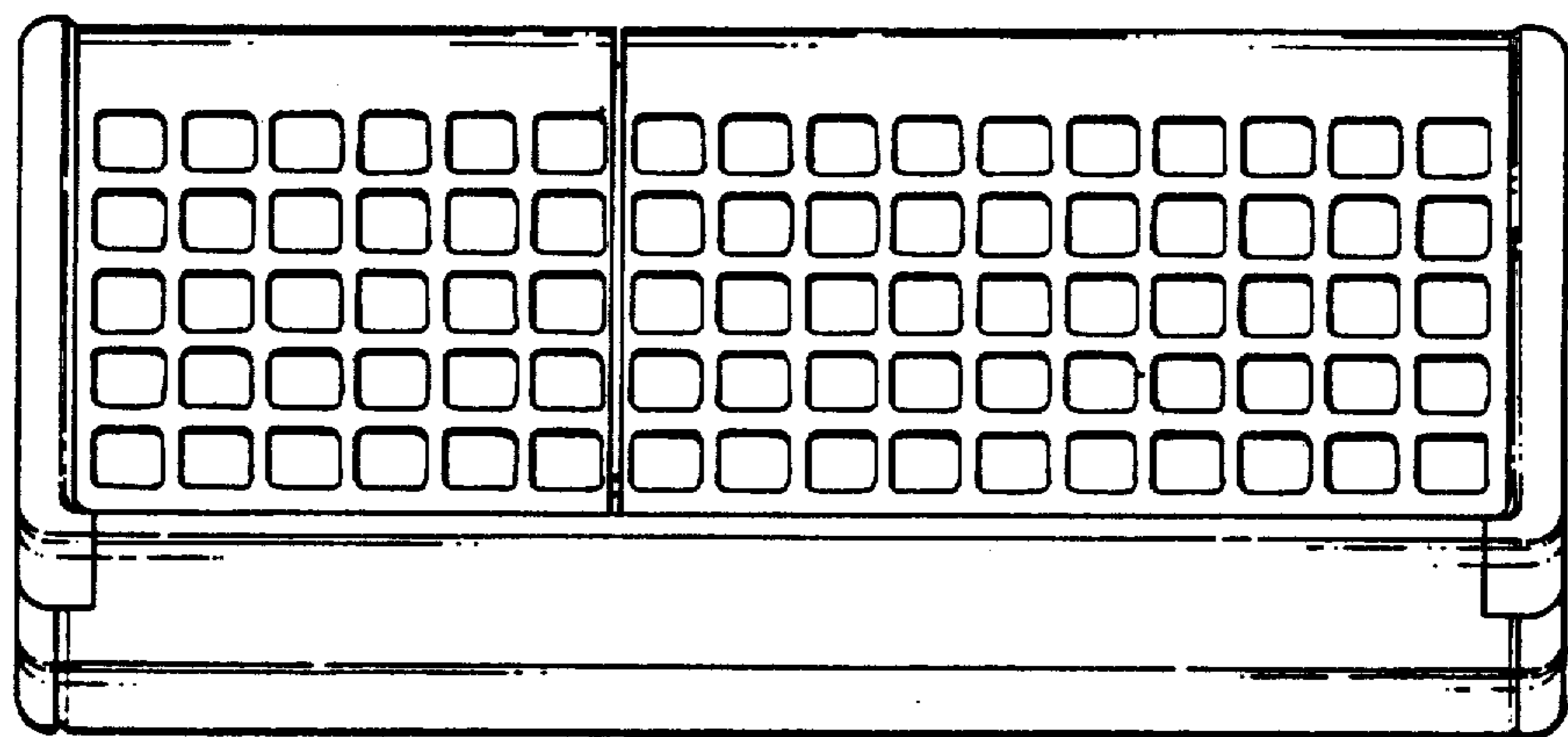


FIG. 2

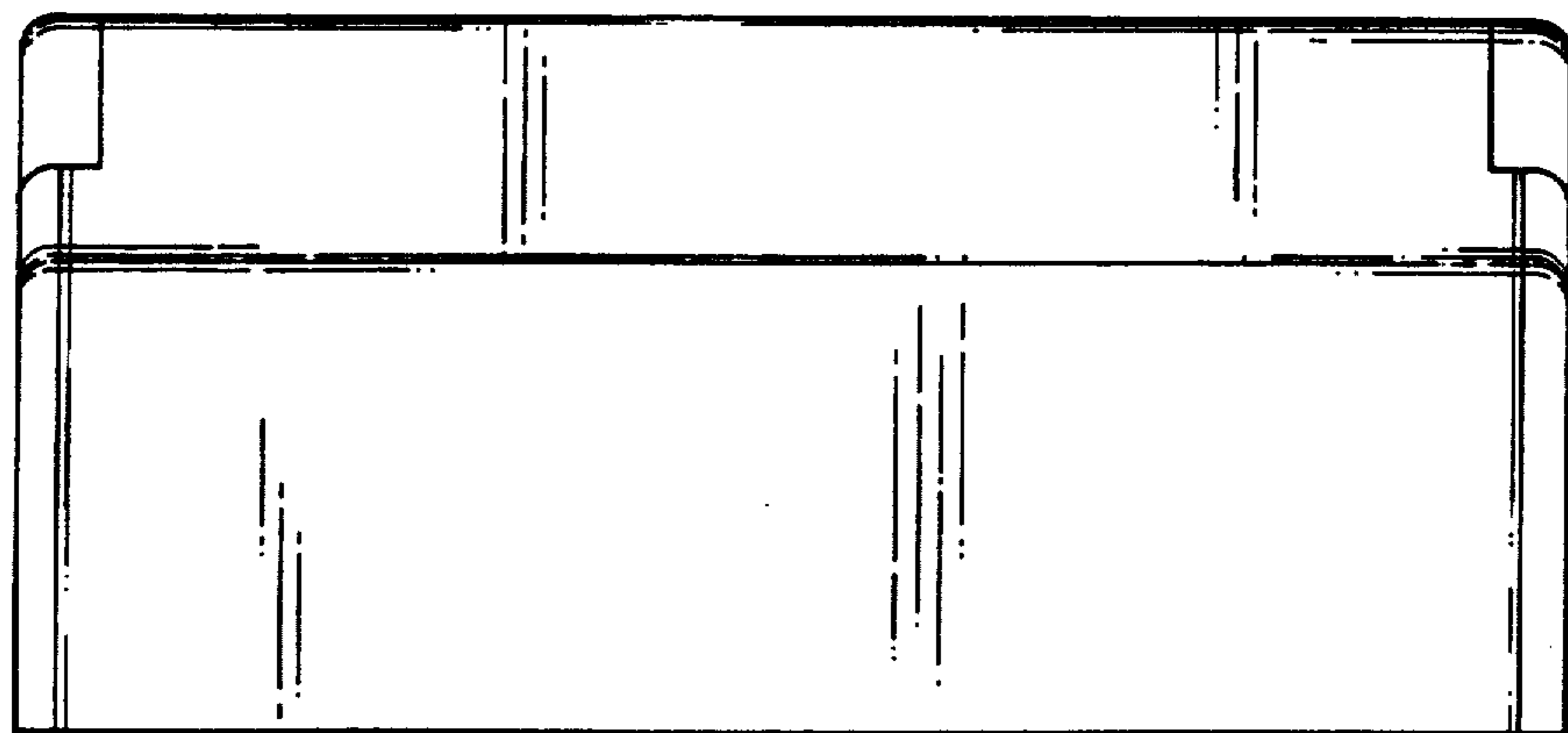


FIG. 6

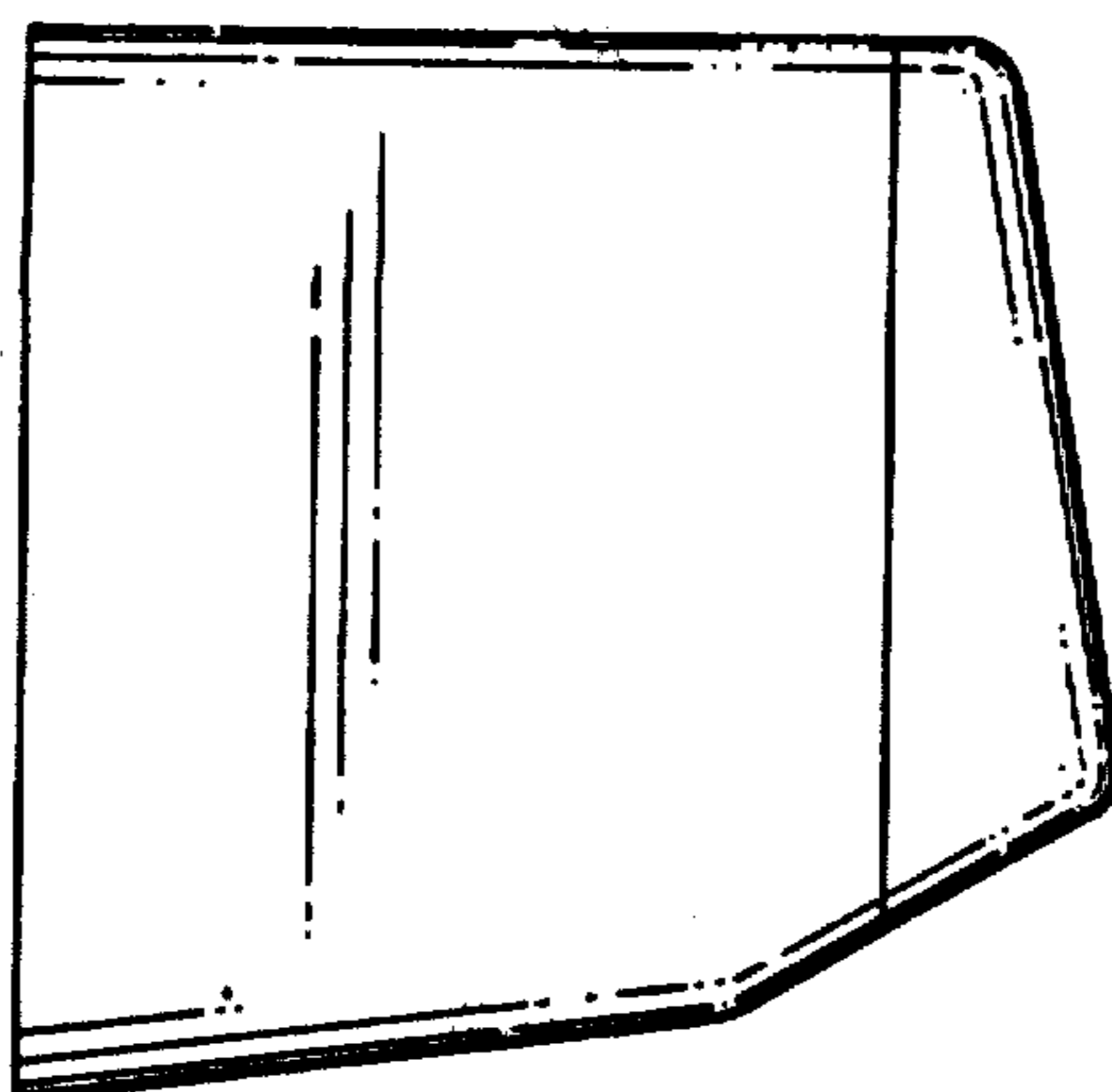


FIG. 4

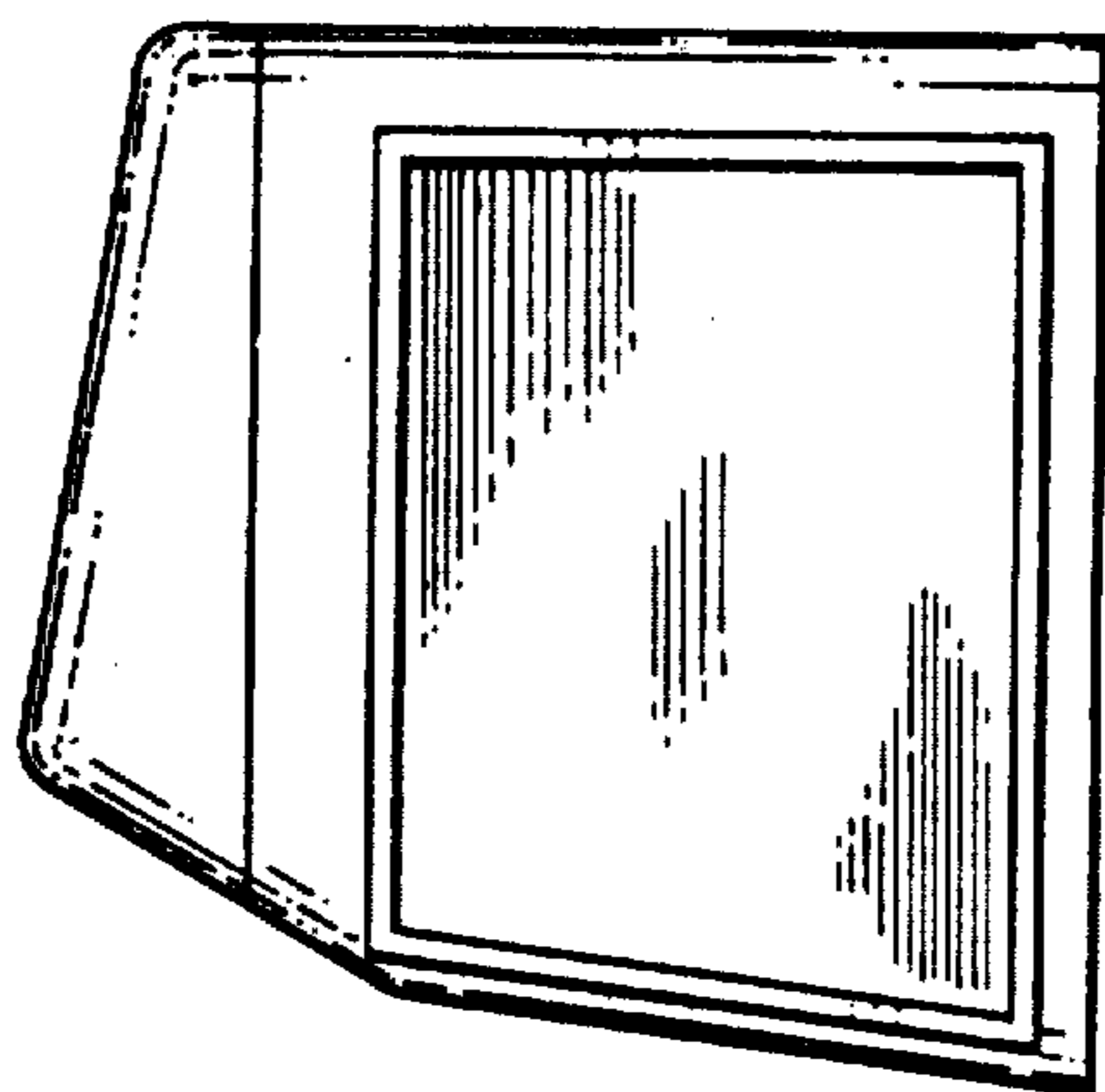


FIG. 5