

[54] FIREPLACE INSERT

[76] Inventor: William Z. Penland, 8900 Saunders Land, Bethesda, Md. 20034

[**] Term: 14 Years

[21] Appl. No.: 246,593

[22] Filed: Mar. 23, 1981

[51] Int. Cl. D23-03

[52] U.S. Cl. D23/94

[58] Field of Search D23/72, 92-97; 126/4, 6, 58, 60-66, 120, 121, 126, 138, 130, 141

[56] References Cited

U.S. PATENT DOCUMENTS

- D. 258,005 1/1981 Bullard, Sr. et al. D23/97
- D. 259,275 5/1981 Berryhill D23/94

D. 262,308 12/1981 Christophel D23/94

Primary Examiner—Catherine E. Kemper
Attorney, Agent, or Firm—Cantor and Singer

[57] CLAIM

The ornamental design for a fireplace insert, substantially as shown and described.

DESCRIPTION

FIG. 1 is a perspective view of a fireplace insert, showing my new design and shown with the shield in the raised position;
 FIG. 2 is a front elevational view thereof with the shield in the lowered position;
 FIG. 3 is a right side elevational view thereof, the left side being the mirror image thereof;
 FIG. 4 is a rear elevational view thereof;
 FIG. 5 is a top plan view thereof; and
 FIG. 6 is a bottom plan view thereof.

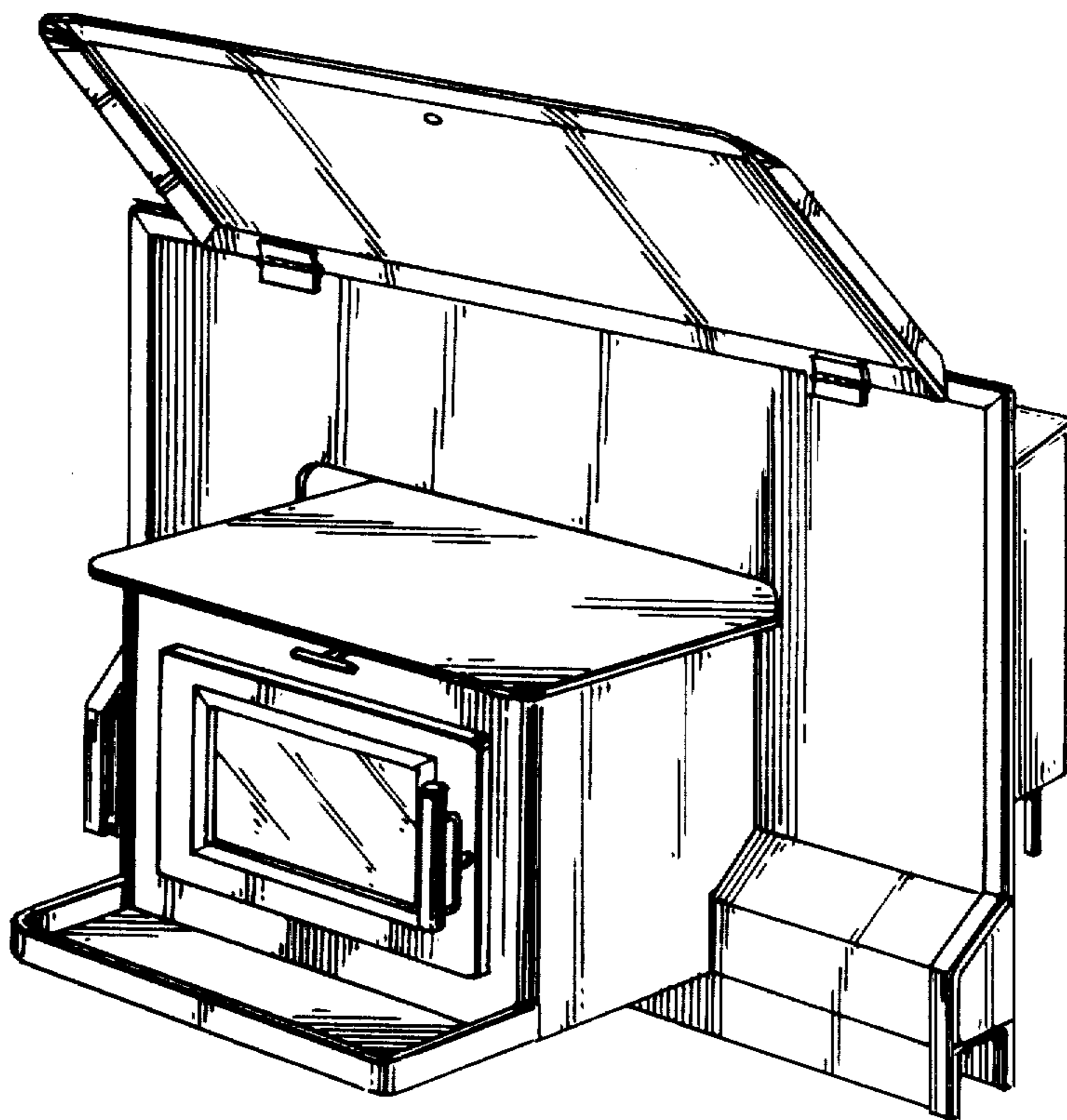


FIG. 1

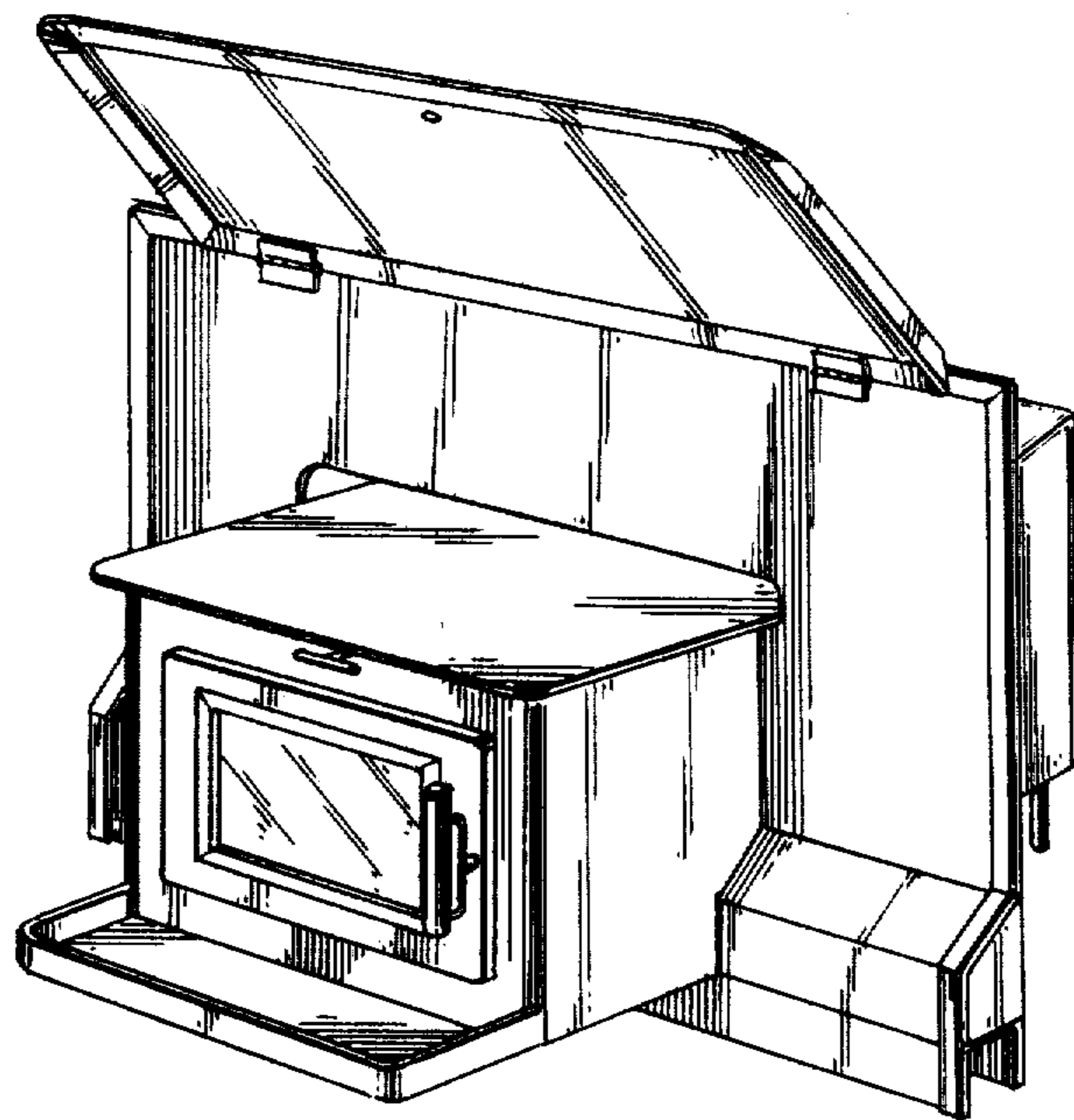


FIG. 2

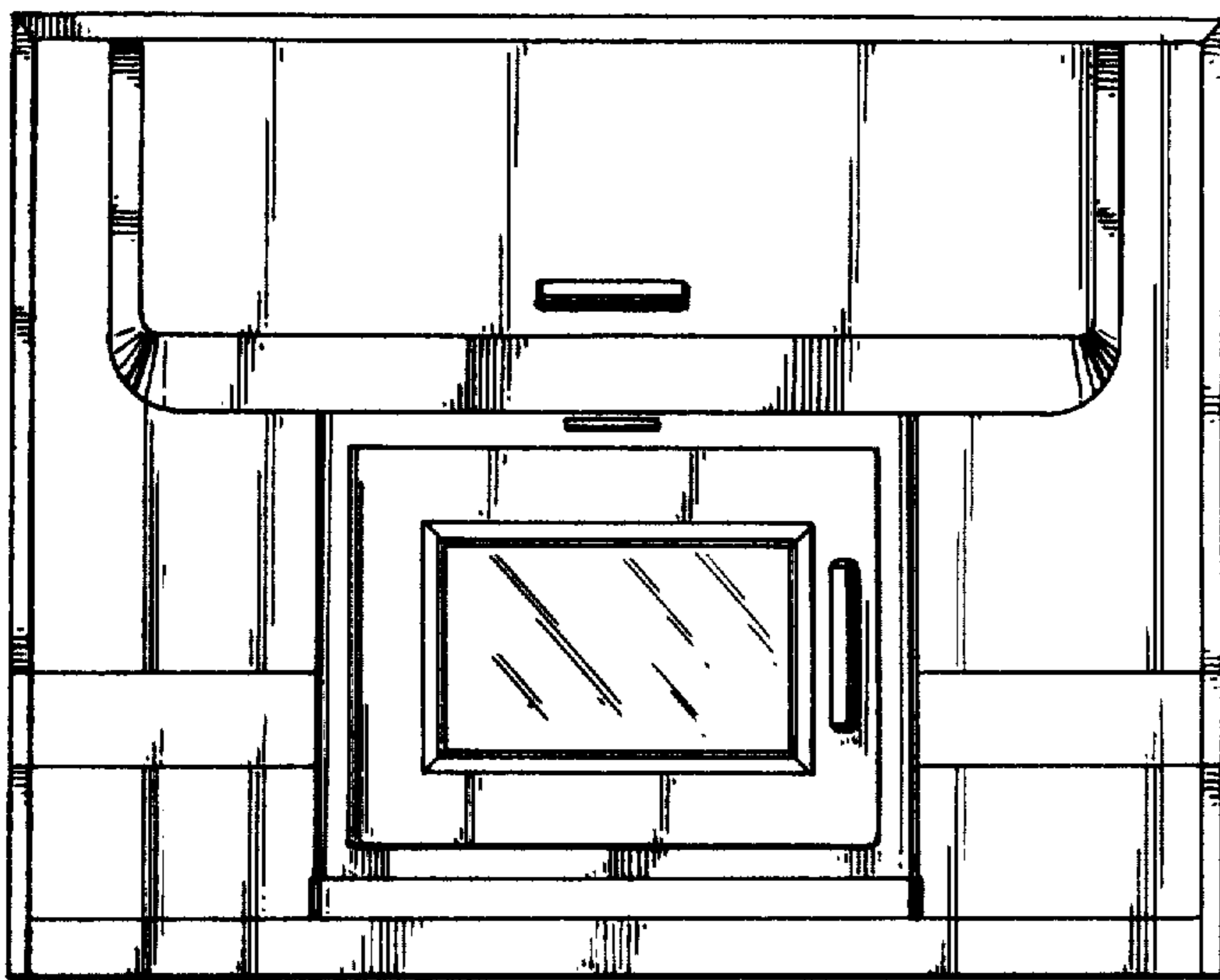


FIG. 3

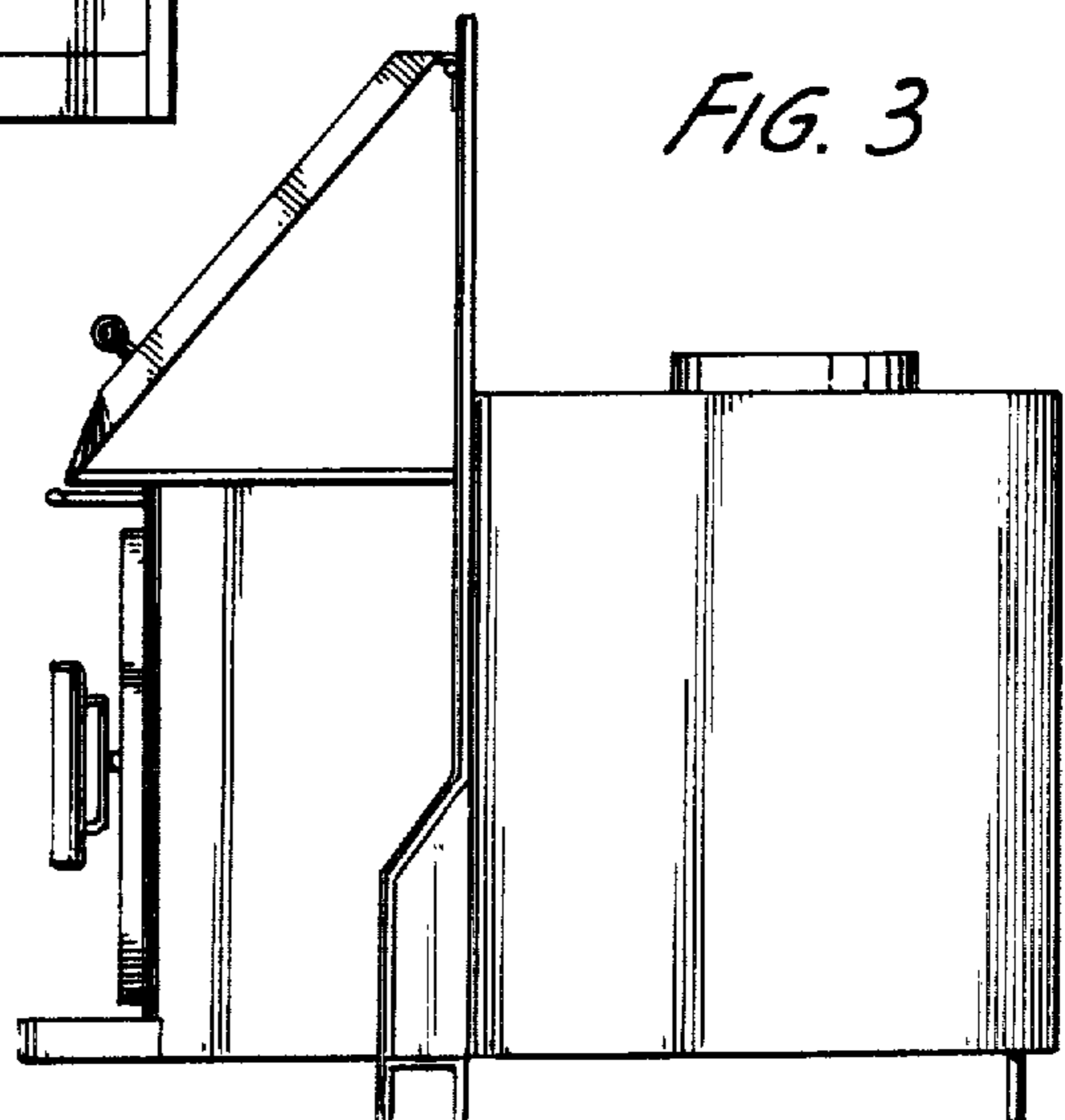


FIG. 4

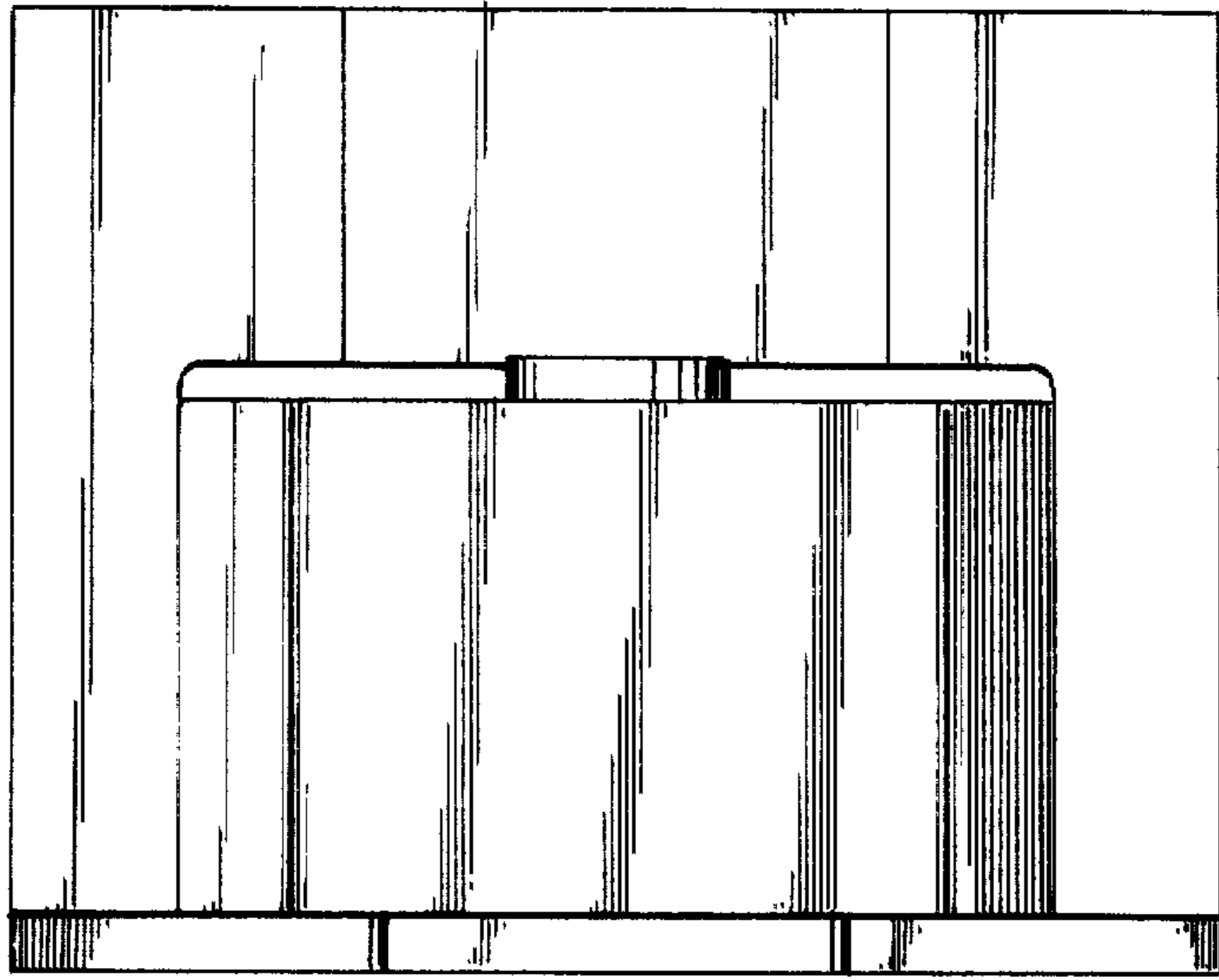


FIG. 5

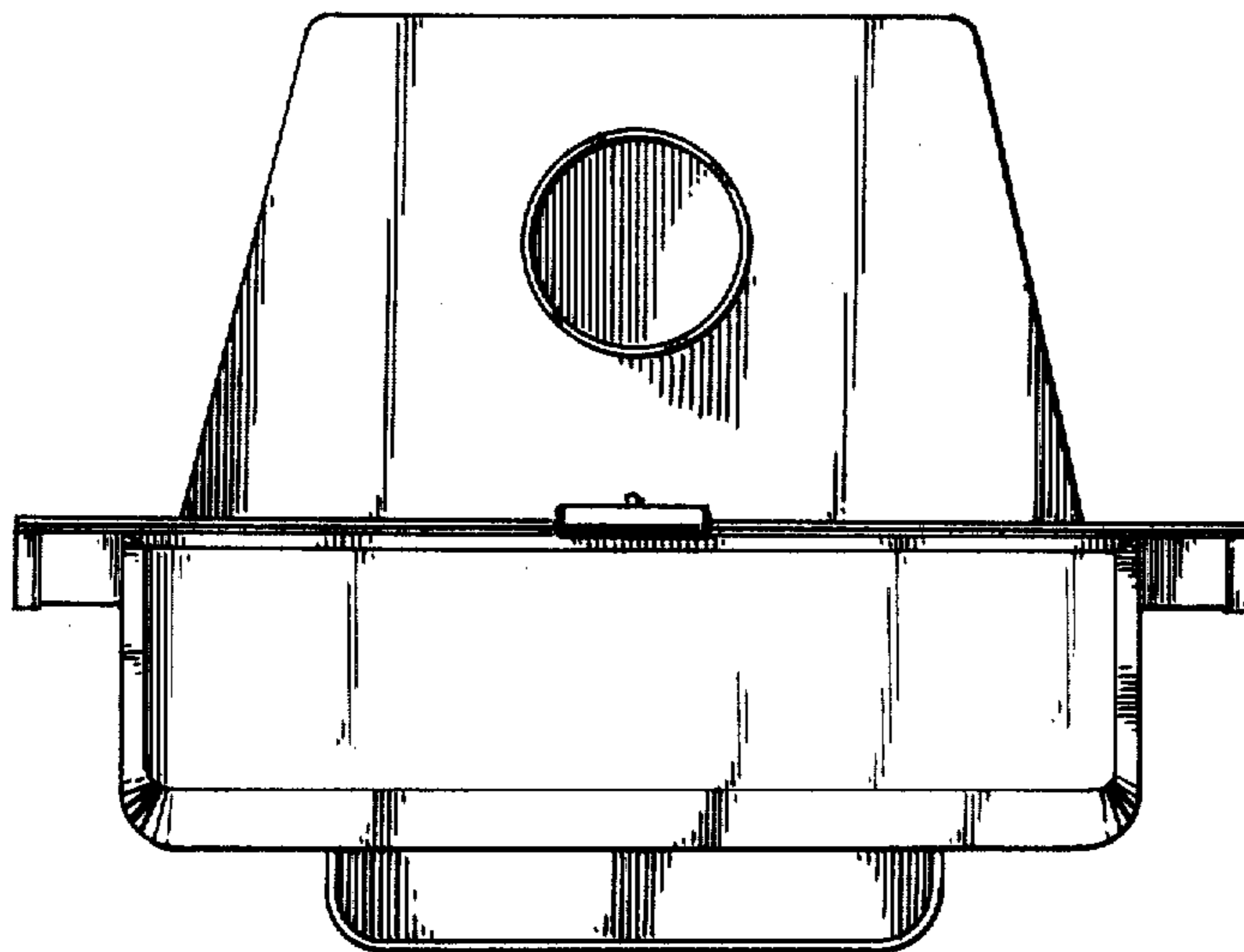


FIG. 6

