

[54] FIREPLACE STOVE

[76] Inventor: **Harold W. Pierce**, 4018 Highpoint Rd., Ellicott City, Md. 21043

[**] Term: **14 Years**

[21] Appl. No.: **31,838**

[22] Filed: **Jul. 26, 1979**

[51] Int. Cl. **D23-03**

[52] U.S. Cl. **D23/93**

[58] Field of Search **D23/92-97;**
126/4.6, 120, 121, 123, 126, 58, 60-66

440,716 11/1890 Moore et al. 126/60

2,056,507 10/1936 Douglas et al. 126/61

4,036,205 7/1977 Hayes 126/126

4,128,094 12/1978 Lewis 126/61 X

4,233,955 11/1980 McCallum et al. 126/61

Primary Examiner—Catherine E. Kemper
Attorney, Agent, or Firm—Marc Sandy Block

[57] CLAIM

The ornamental design for a fireplace stove, as shown and described.

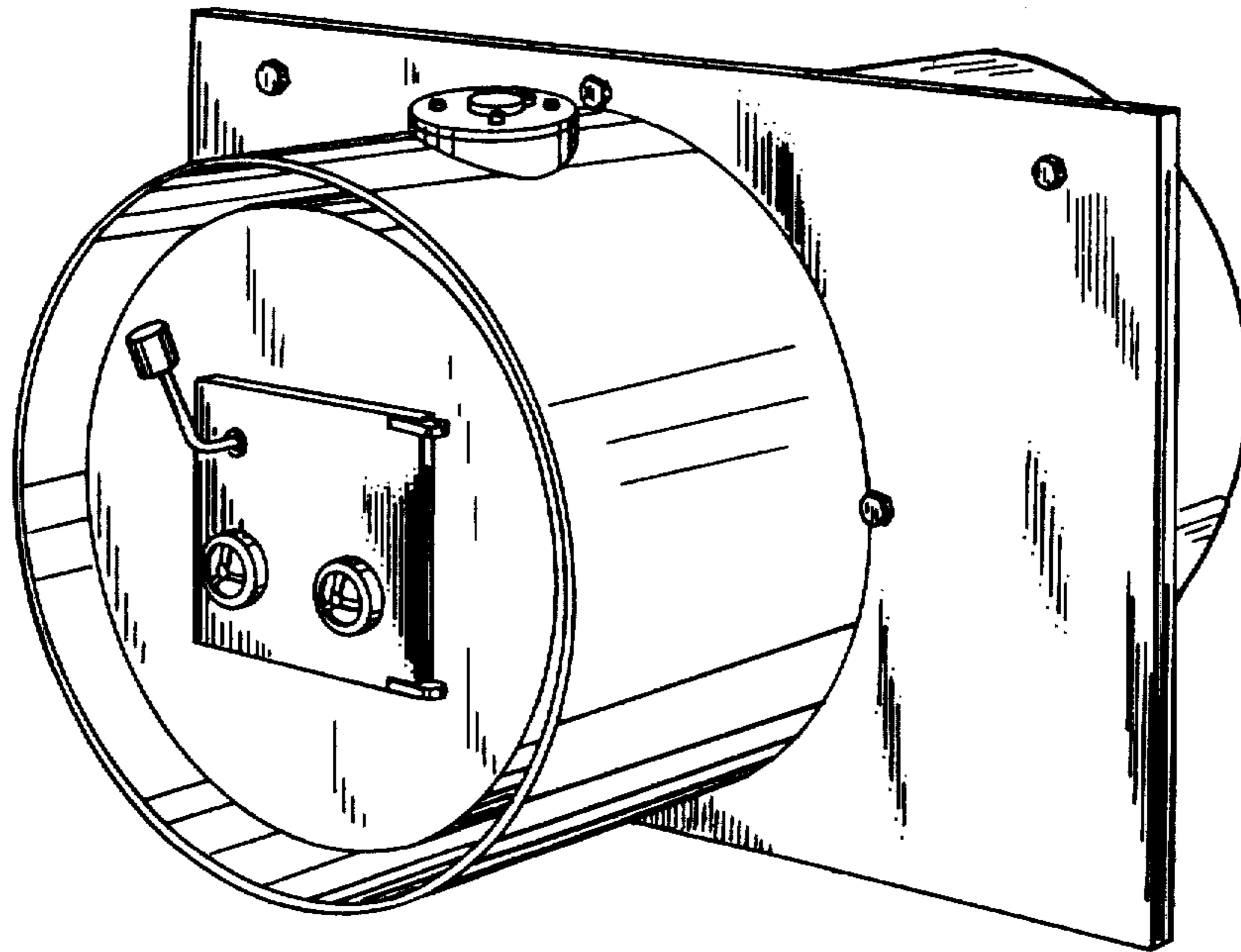
DESCRIPTION

FIG. 1 is a perspective view of a fireplace stove showing my design.

FIG. 2 is a front elevational view thereof.

FIG. 3 is a side elevational view thereof, with two portions of the side wall shown cut away.

[56] **References Cited**
U.S. PATENT DOCUMENTS
D. 245,509 8/1977 Ulmer et al. D23/92



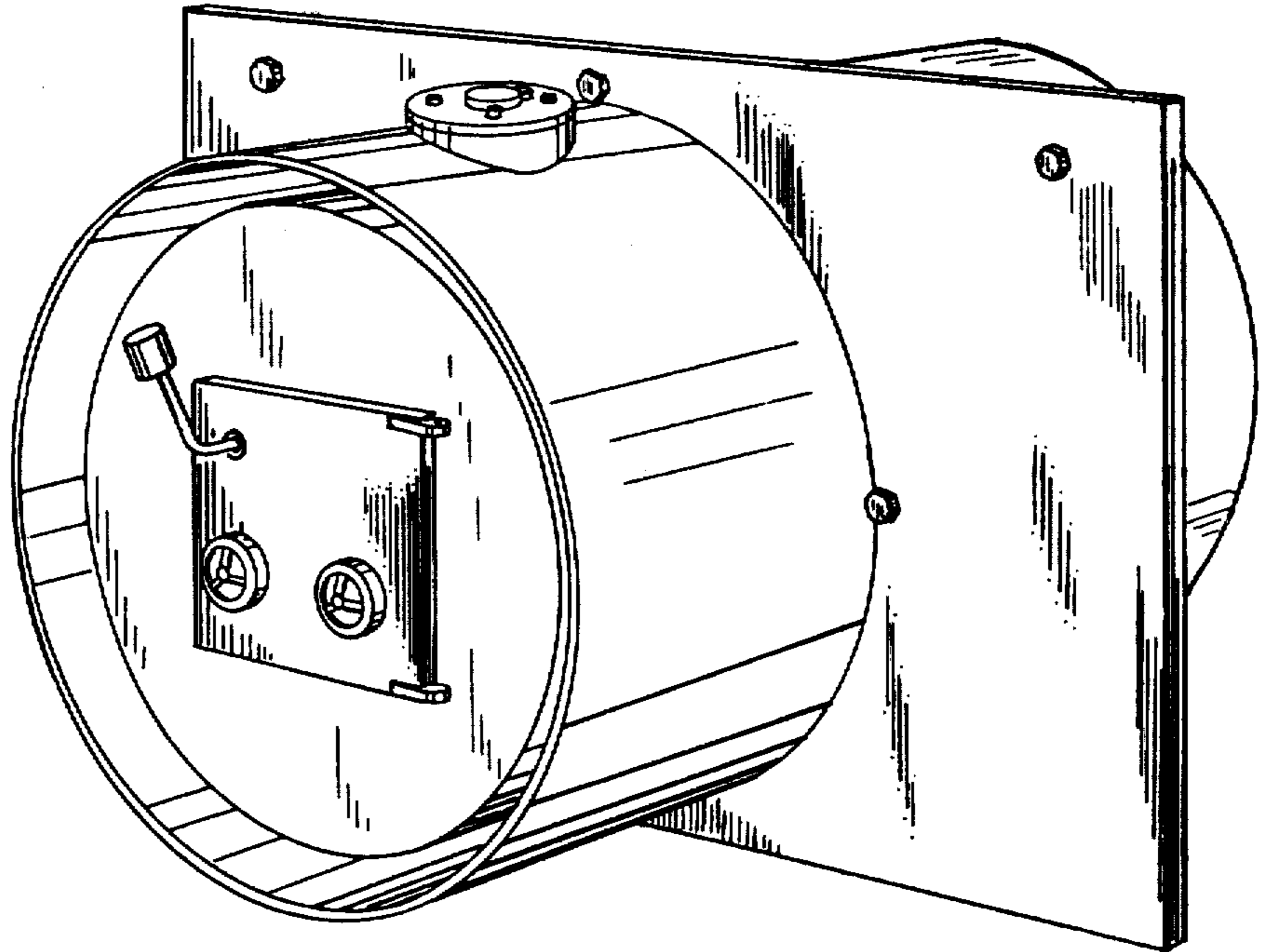


FIG. 1

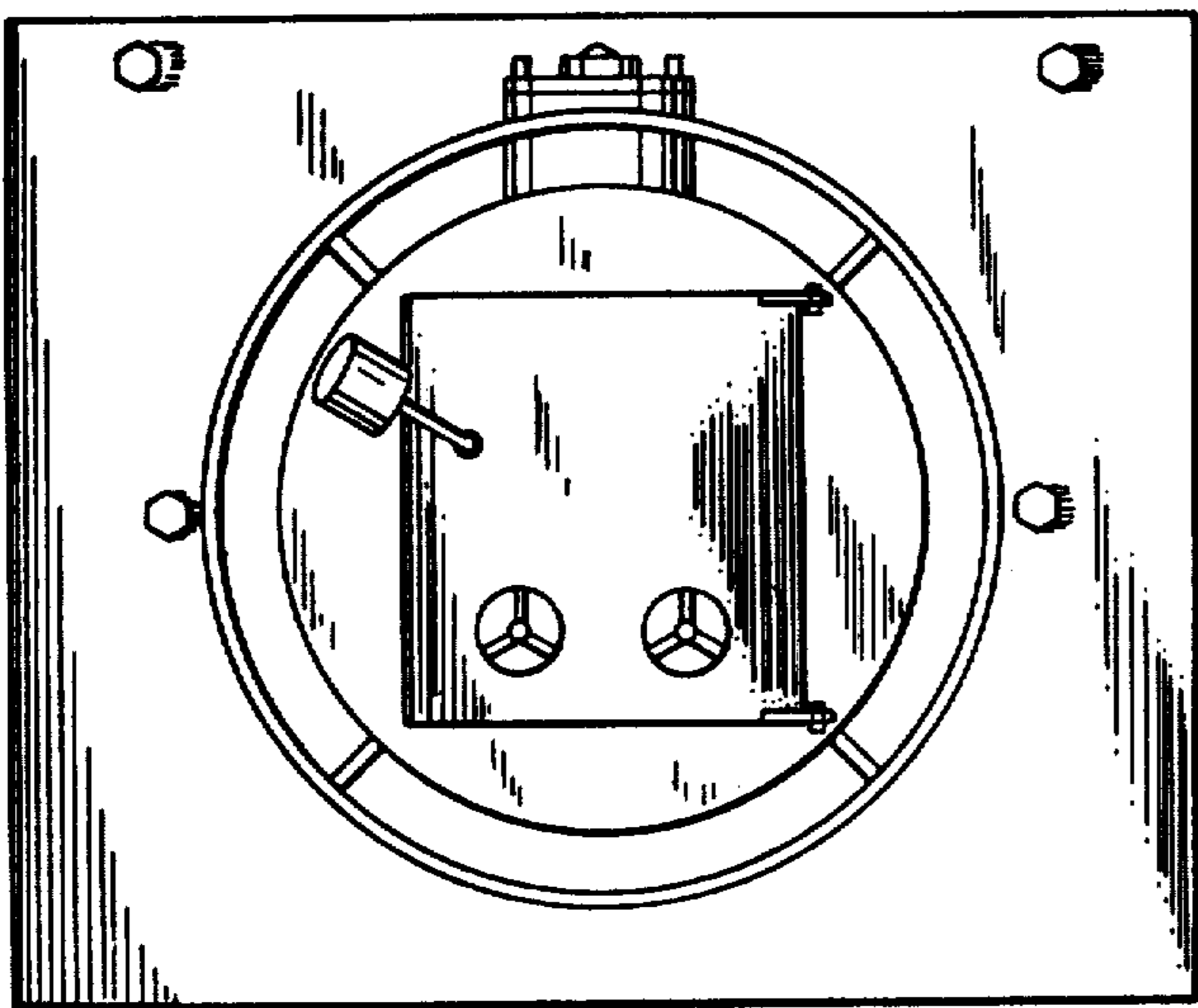


FIG. 2

FIG. 3

