

[54] WATER VALVE FOR A CARPET CLEANER OR THE LIKE

[75] Inventors: Carl Parise, Reno; Rainer R. Schulz, Sparks, both of Nev.

[73] Assignee: Parise & Sons, Inc., Sparks, Nev.

[**] Term: 14 Years

[21] Appl. No.: 160,413

[22] Filed: Jun. 18, 1980

[51] Int. Cl. D23-01

[52] U.S. Cl. D23/19; D23/37; D32/32

[58] Field of Search D23/17, 19-22, D23/37-39; D32/1, 15-18, 21-24, 31-34; 251/244, 245, 246, 321, 333, DIG. 1

[56] References Cited

U.S. PATENT DOCUMENTS

- D. 60,159 1/1922 Norwood D23/20
- D. 147,889 11/1947 Carter D23/37
- D. 235,771 7/1975 Christophel D23/19

- D. 241,557 9/1976 Olde D23/19
- D. 242,211 11/1976 Parise D32/32
- D. 255,359 6/1980 Bartlett D32/32
- D. 257,543 11/1980 Johnson D23/19
- D. 257,544 11/1980 Johnson D23/19
- 1,184,365 5/1916 Luhrs 251/239
- 4,009,728 3/1977 Parise 137/594
- 4,316,600 2/1982 Parise et al. 251/245

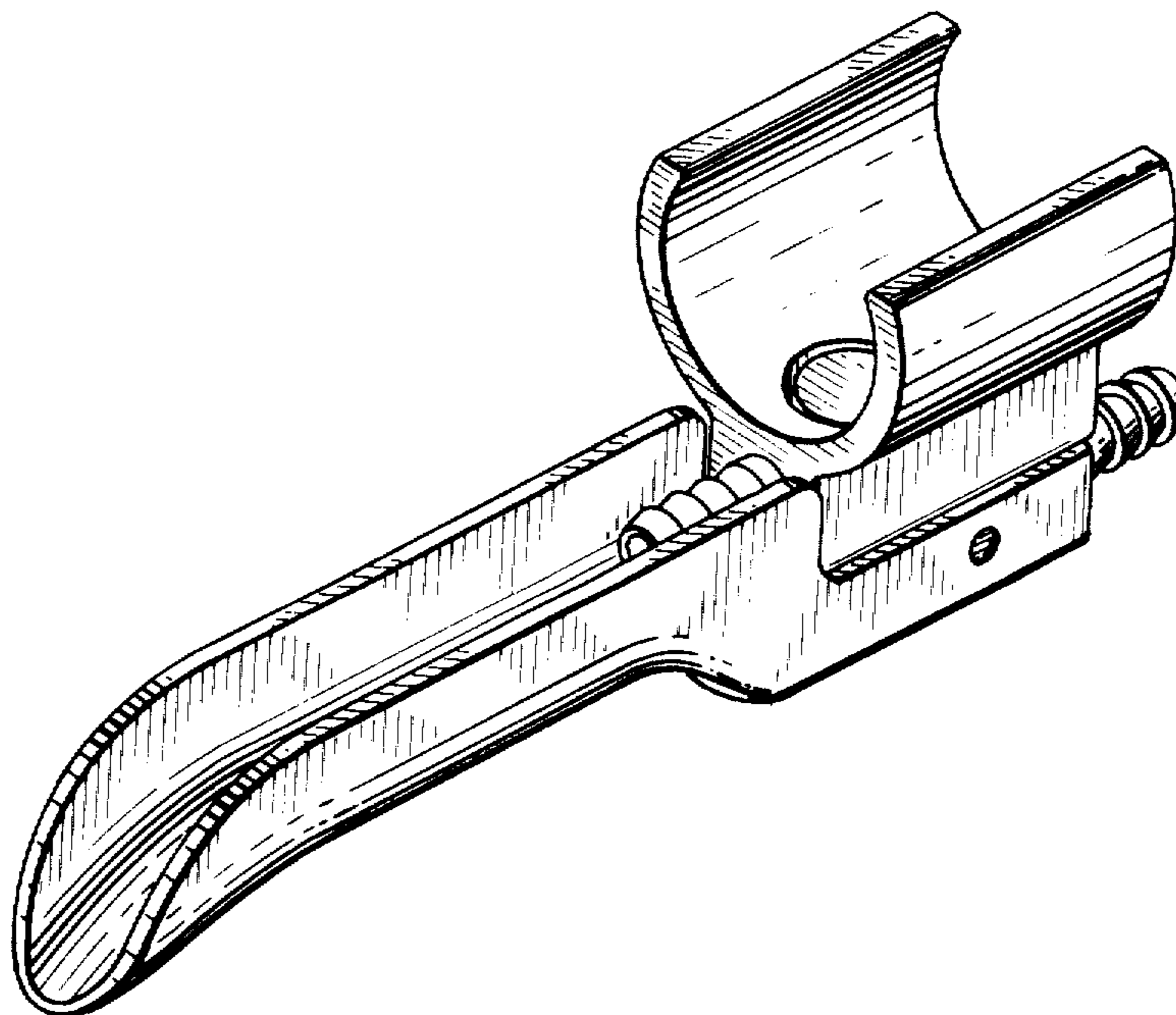
Primary Examiner—James R. Largent
Attorney, Agent, or Firm—Sughrue, Mion, Zinn, Macpeak & Seas

[57] CLAIM

The ornamental design for a water valve for a carpet cleaner or the like, as shown.

DESCRIPTION

FIG. 1 is a front, top and right side perspective view of a water valve for a carpet cleaner or the like showing our new design;
FIG. 2 is a left side elevational view thereof;
FIG. 3 is a top plan view thereof;
FIG. 4 is a rear elevational view thereof;
FIG. 5 is a front elevational view thereof; and
FIG. 6 is a bottom plane view thereof.



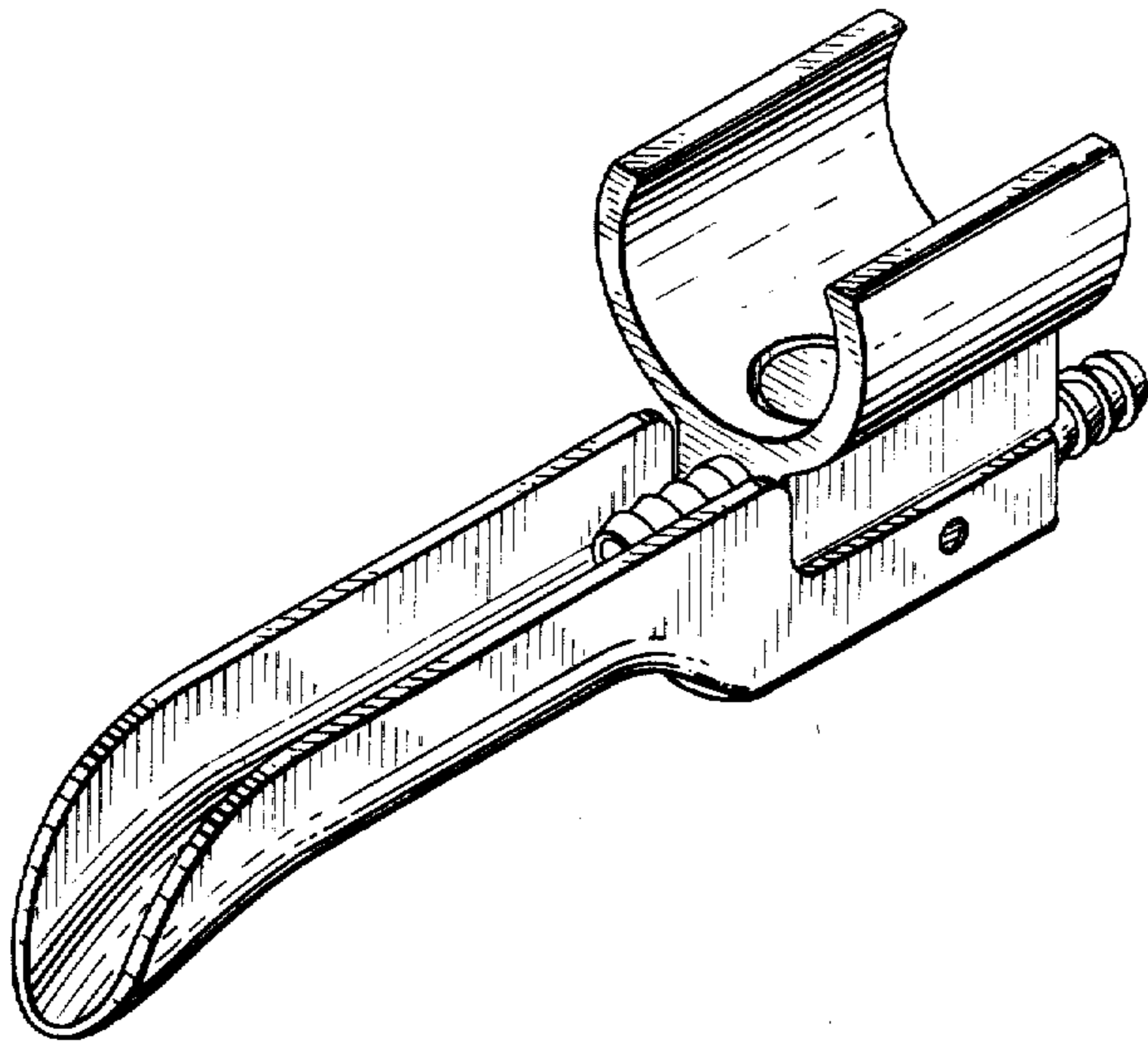


FIG 1

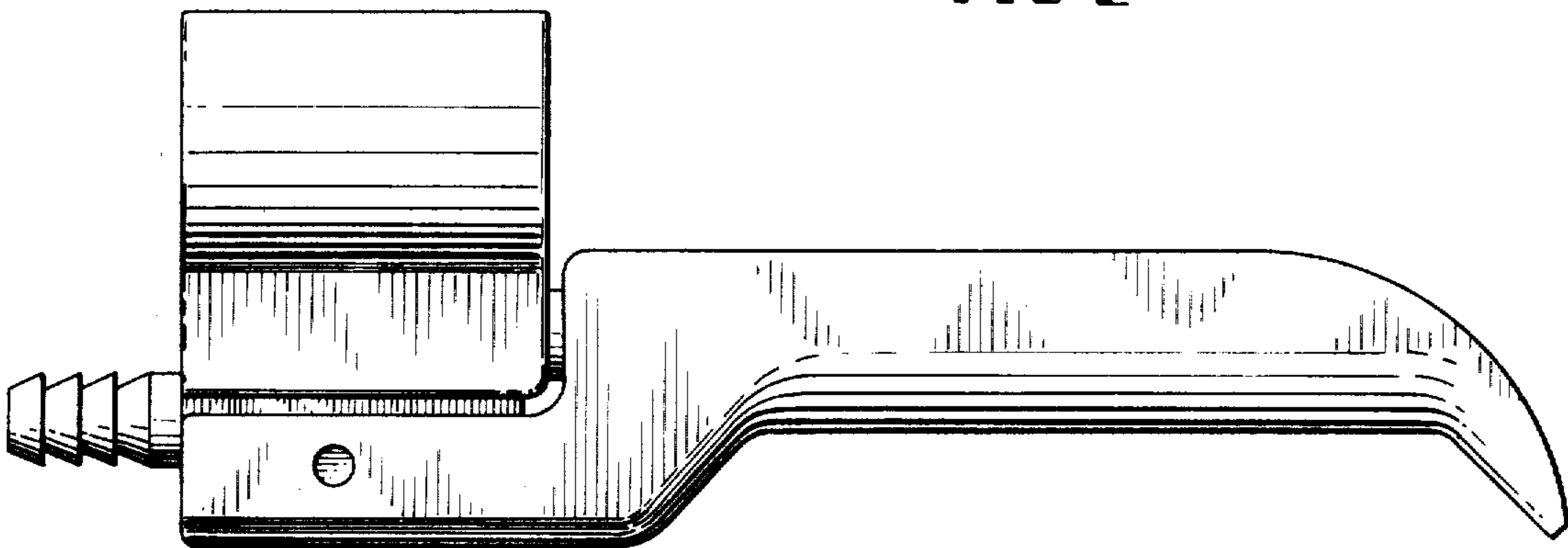


FIG 2

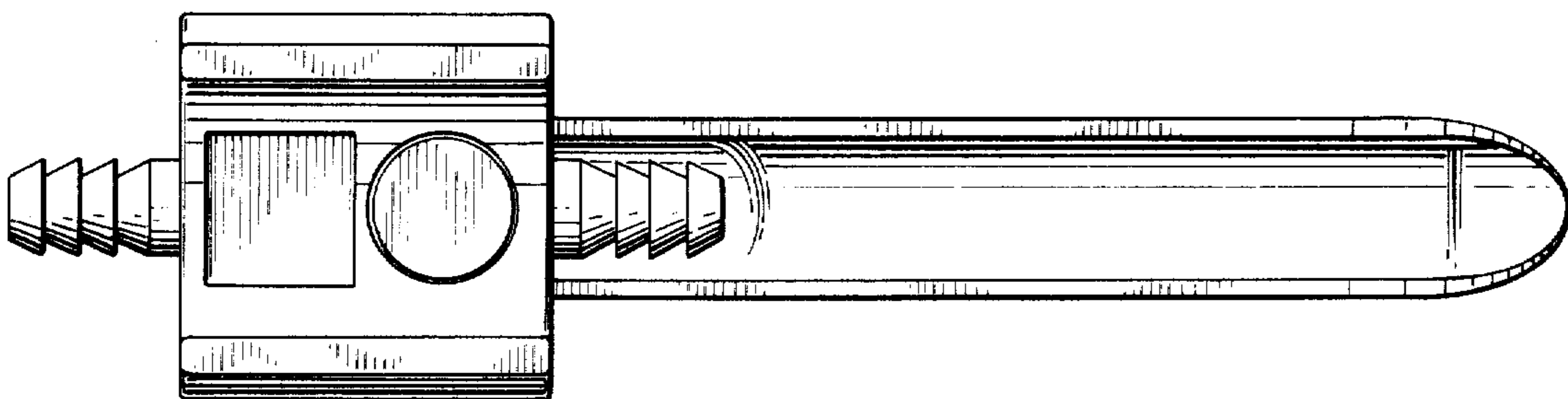


FIG 3

FIG 4

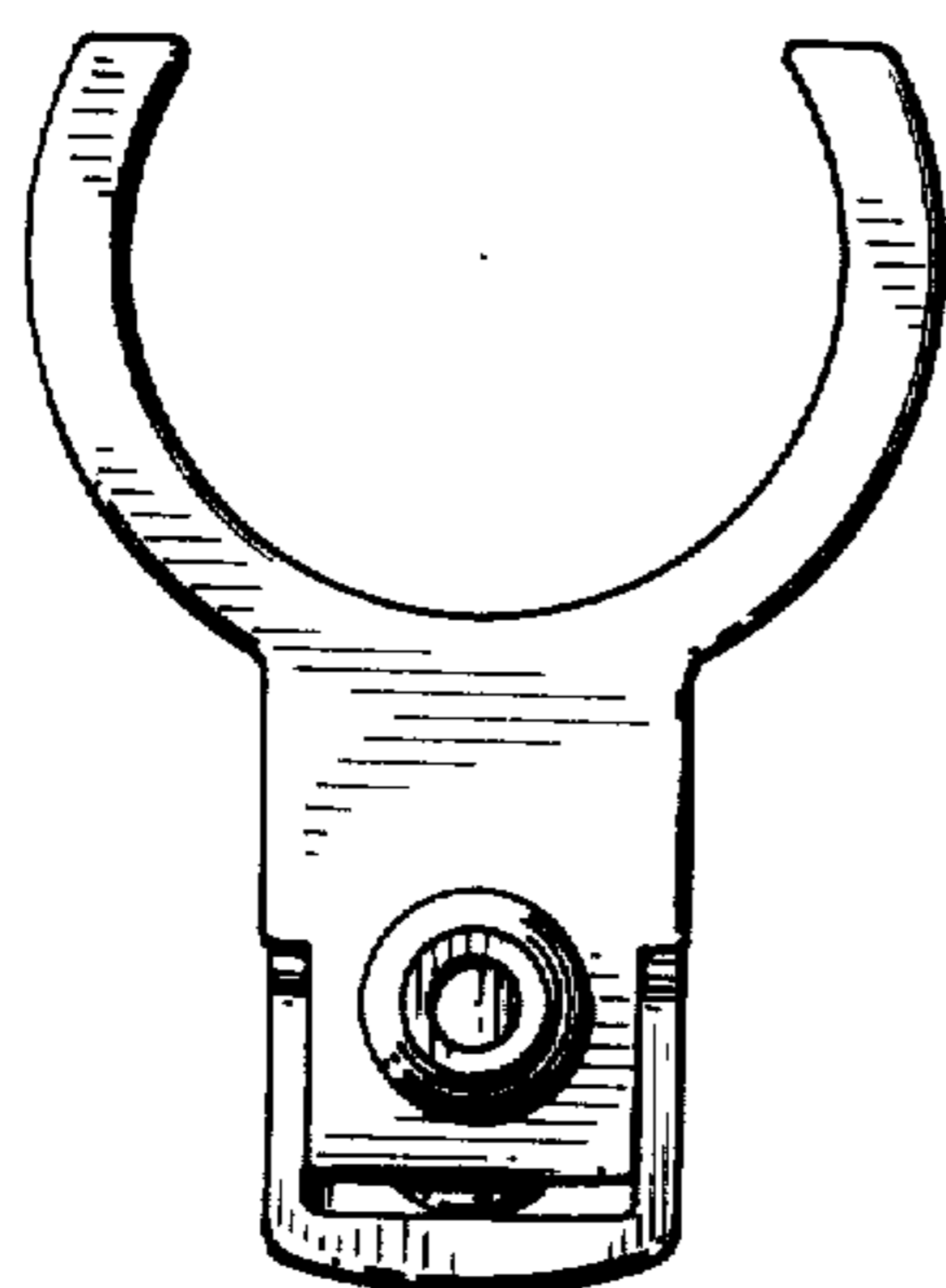


FIG 5

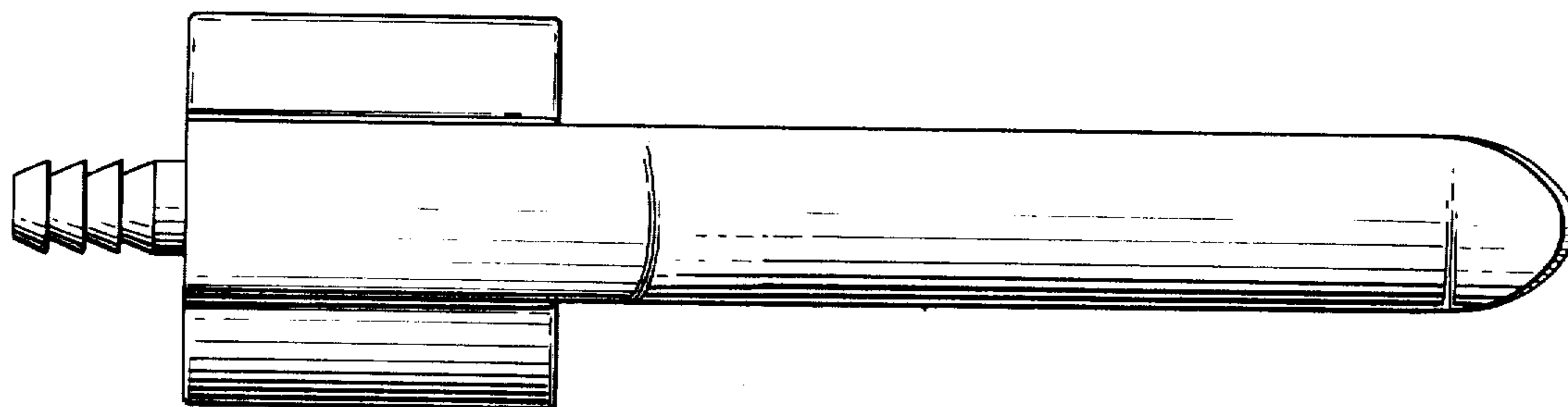
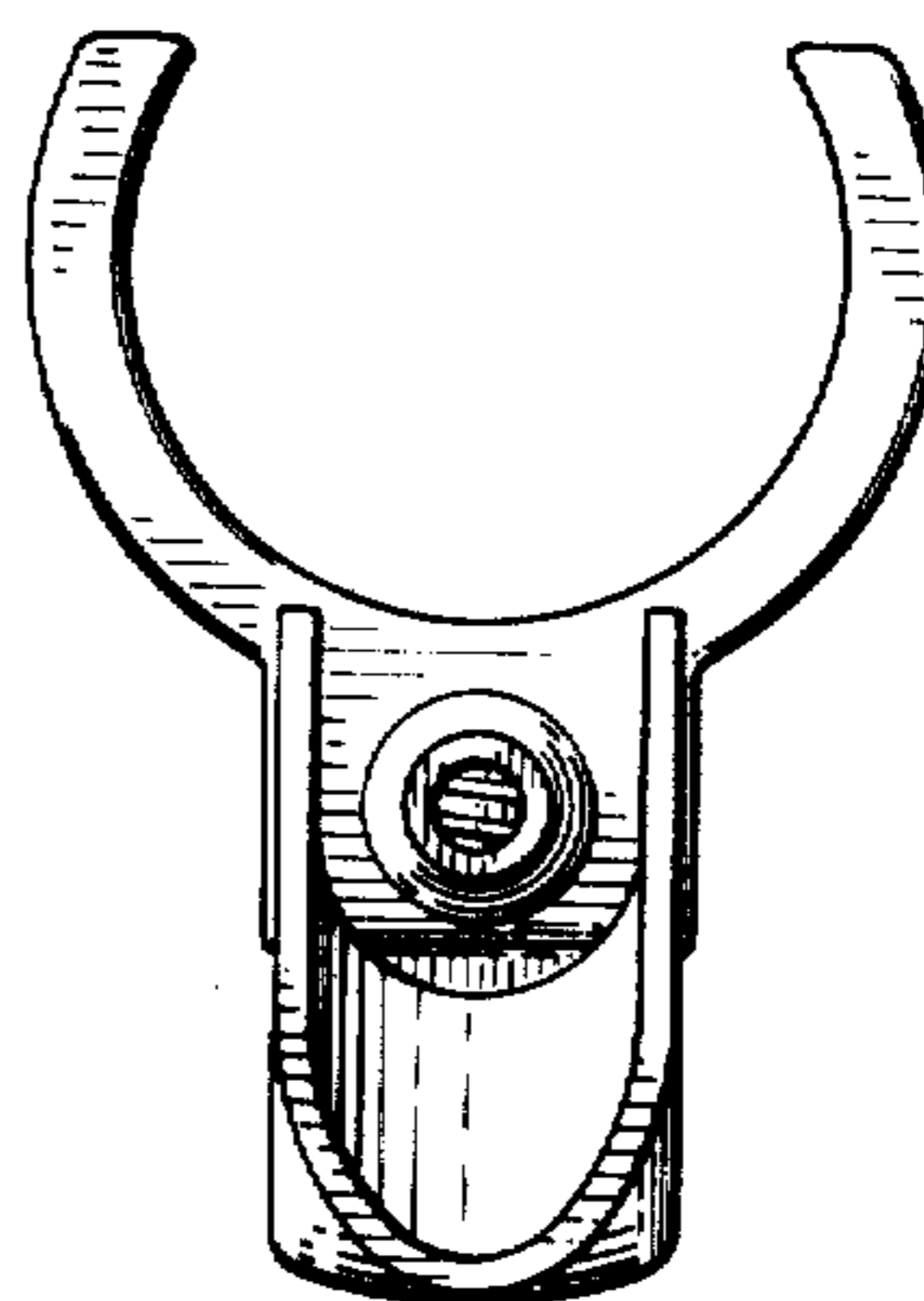


FIG 6