

[54] BILLIARD TABLE

[76] Inventor: Aron J. Clarkson, Unit 2, 389 Balwyn Rd., North Balwyn, 3104, Victoria, Australia

[\*\*] Term: 14 Years

[21] Appl. No.: 173,334

[22] Filed: Jul. 29, 1980

[30] Foreign Application Priority Data

Jan. 29, 1980 [AU] Australia ..... 80108

[51] Int. Cl. .... D21-01

[52] U.S. Cl. .... D21/232; D6/27; D6/146

[58] Field of Search ..... D21/232, 11, 14; 273/3 R, 3 B; D6/27, 146, 20, 177

[56] References Cited

U.S. PATENT DOCUMENTS

- D. 214,473 6/1969 Plessinger ..... D6/20
- D. 219,928 2/1971 Tincher ..... D6/177
- D. 236,668 9/1975 Mudde ..... D6/27
- D. 249,300 9/1978 Szabo et al. .... D6/146

OTHER PUBLICATIONS

Toys and Novelties, Jun. 1, 1964, p. 50, upper left, Brinktun pool table.

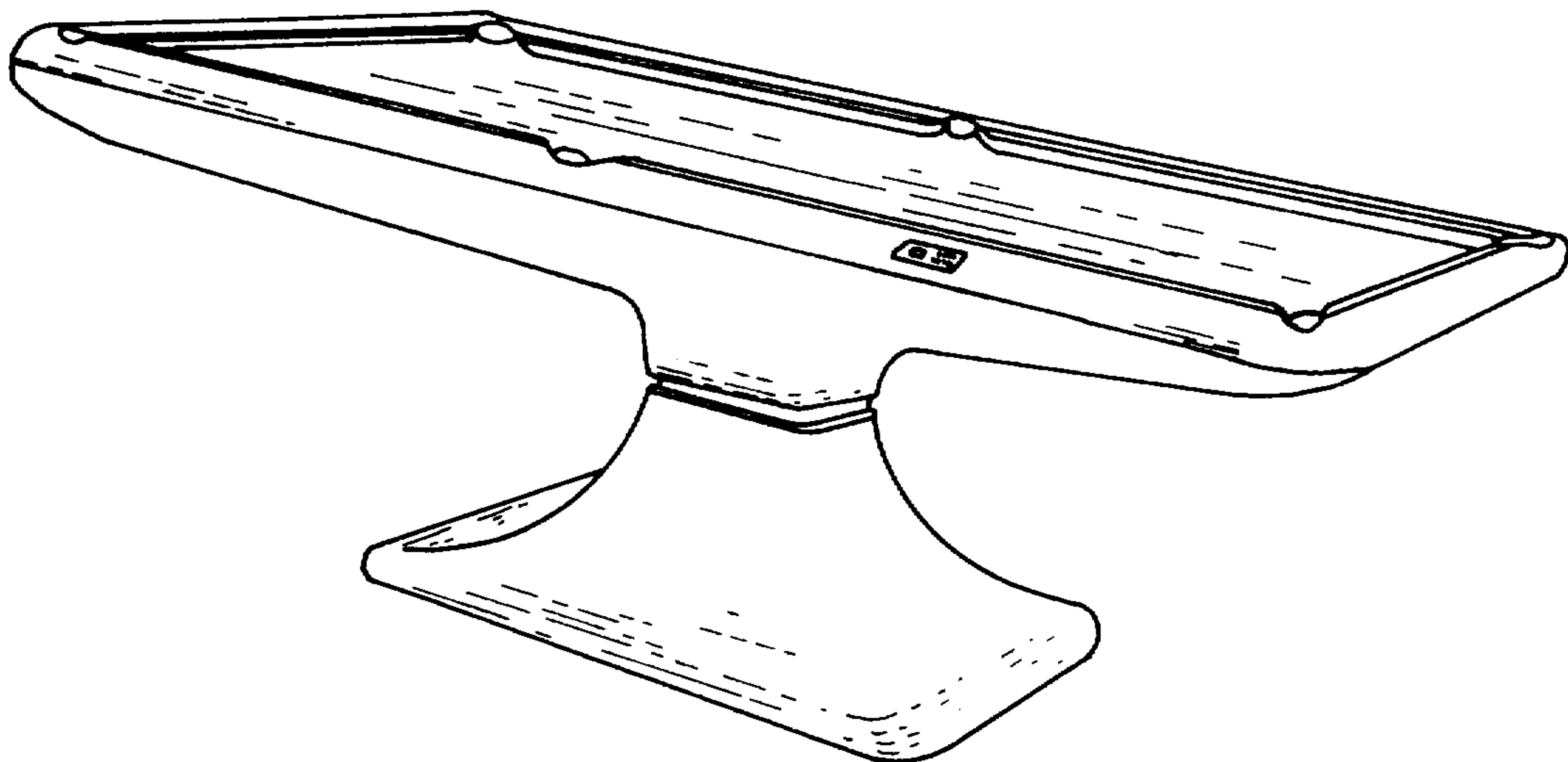
Primary Examiner—Melvin B. Feifer

[57] CLAIM

The ornamental design for a billiard table, as shown.

DESCRIPTION

FIG. 1 is a perspective view of the billiard table showing my new design, FIG. 2 is a plan view of the billiard table, FIG. 3 is a side view of the billiard table, and FIG. 4 is an end view of the billiard table.



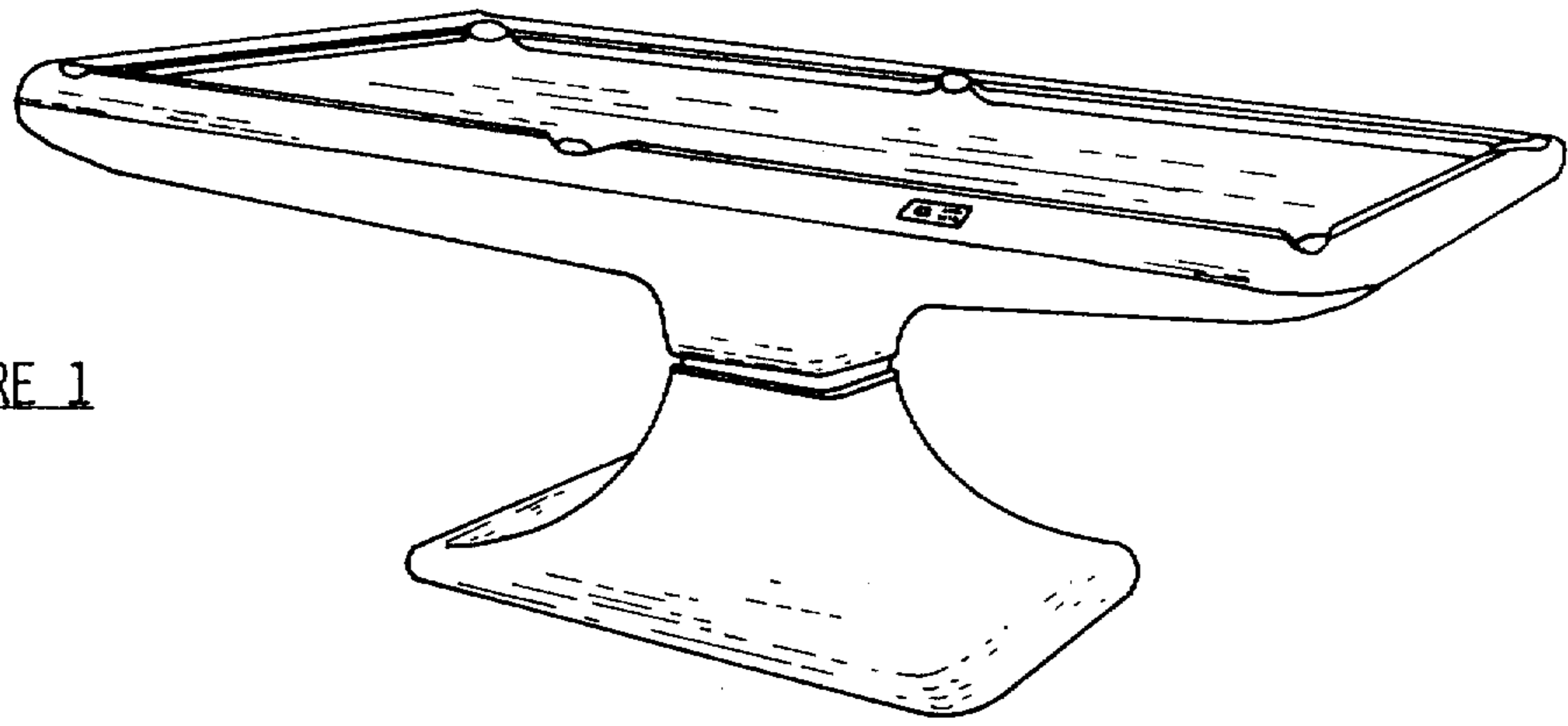


FIGURE 1

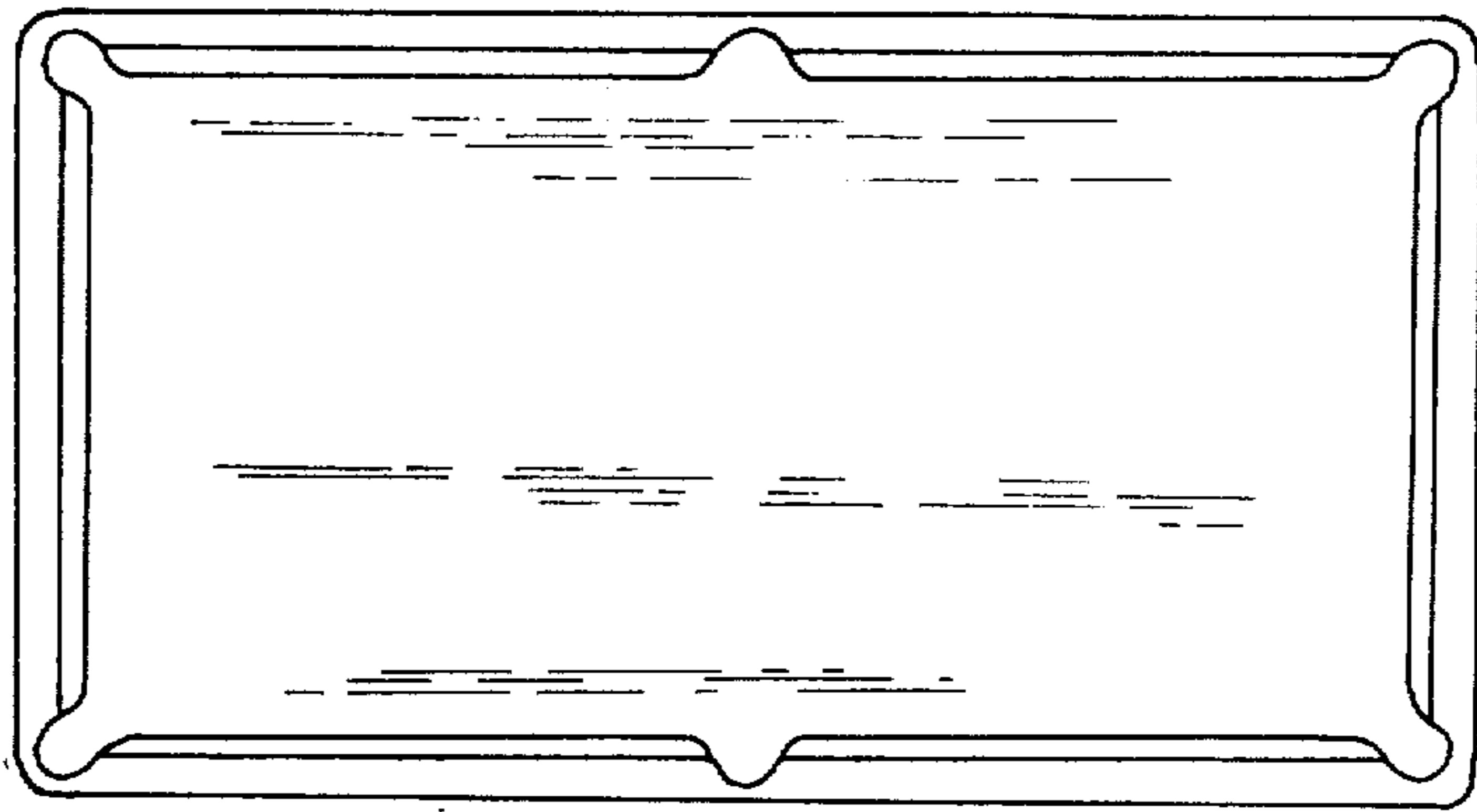


FIGURE 2

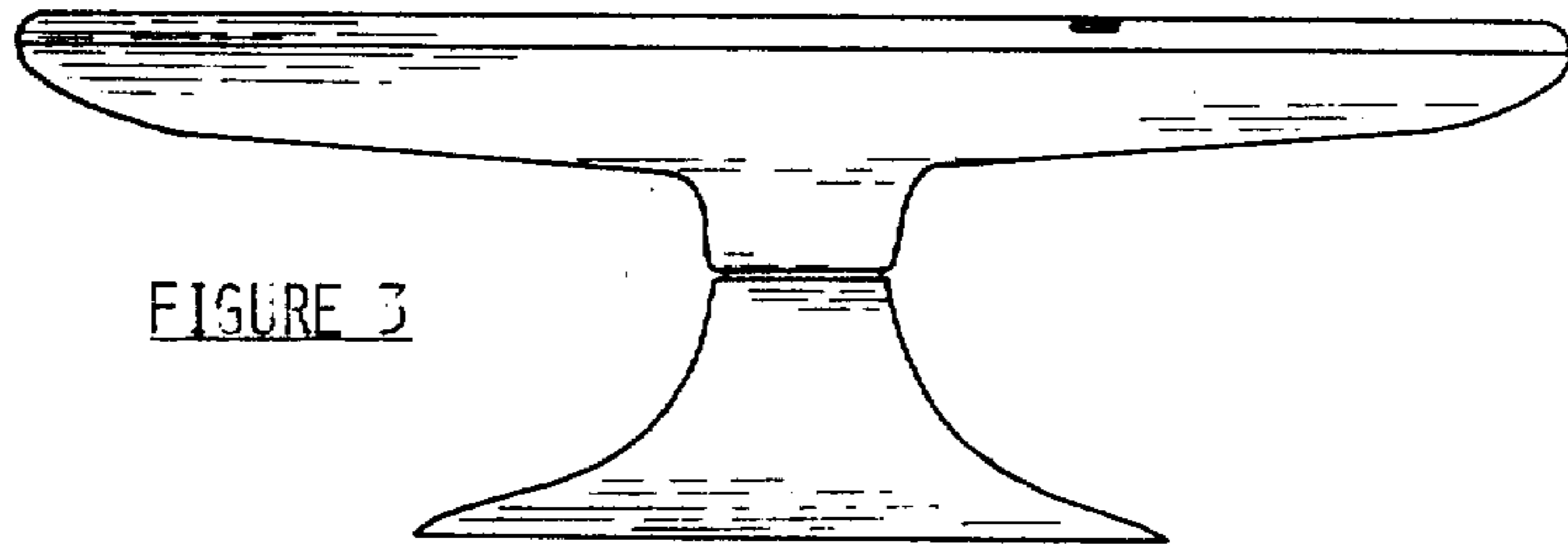


FIGURE 3

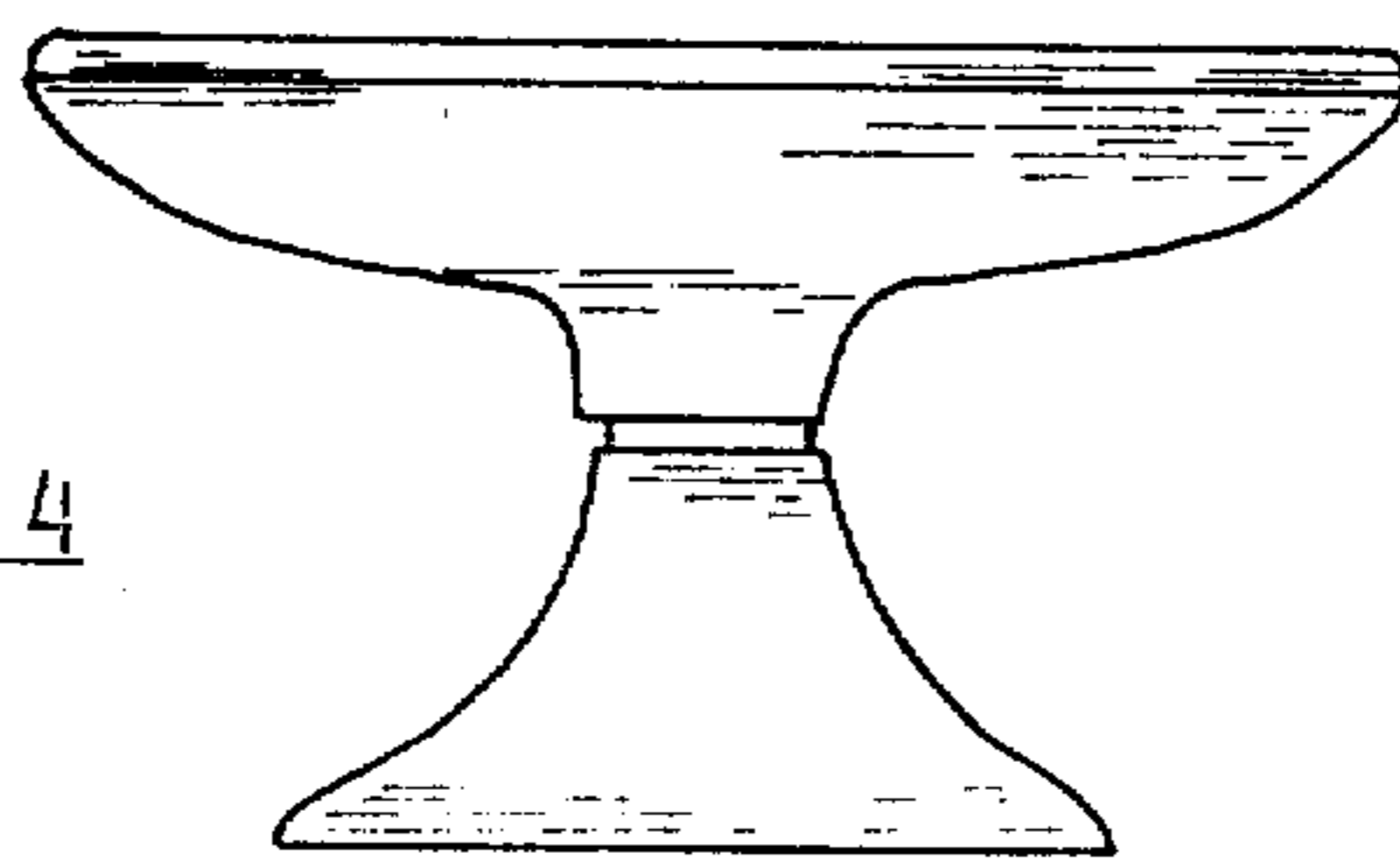


FIGURE 4